



US00D553992S

(12) **United States Design Patent**
Lepoitevin

(10) **Patent No.:** **US D553,992 S**

(45) **Date of Patent:** **** Oct. 30, 2007**

(54) **BOTTLE**

(75) Inventor: **Laurent Lepoitevin**, Le Havre Cedex (FR)

(73) Assignee: **Sidel Participations**, Octeville sur Mer (FR)

(**) Term: **14 Years**

(21) Appl. No.: **29/270,774**

(22) Filed: **Jan. 3, 2007**

(30) **Foreign Application Priority Data**

Jul. 4, 2006 (EM) 000554860

(51) **LOC (8) Cl.** **09-01**

(52) **U.S. Cl.** **D9/532**

(58) **Field of Classification Search** D9/516,
D9/520, 529, 531, 532, 556, 569, 652, 500,
D9/502, 503, 504; 215/14, 200, 217, 218,
215/223, 241, 375, 379, 382-385, 396, 398;
220/200, 260, 890; 222/92, 109, 210, 212,
222/215; 428/66.3

See application file for complete search history.

(56) **References Cited**

U.S. PATENT DOCUMENTS

4,525,401 A * 6/1985 Pocock et al. 428/66.3
4,850,493 A * 7/1989 Howard, Jr. 215/375
D381,913 S * 8/1997 Abfier et al. D9/502
D396,640 S * 8/1998 Conrad et al. D9/502

D400,794 S * 11/1998 Takeuchi et al. D9/532
D403,243 S * 12/1998 Takeuchi et al. D9/532
D404,306 S * 1/1999 Steinke D9/502
6,065,624 A * 5/2000 Steinke 215/383
D476,896 S * 7/2003 Cheng et al. D9/520
D478,511 S * 8/2003 Reynolds D9/502
6,612,451 B2 * 9/2003 Tobias et al. 215/375
D517,923 S * 3/2006 Iturriza D9/652
D534,079 S * 12/2006 Livingston D9/516

* cited by examiner

Primary Examiner—Mitchell Siegel

Assistant Examiner—Shanda C. Hill

(74) *Attorney, Agent, or Firm*—Marshall, Gerstein & Borun LLP

(57) **CLAIM**

The ornamental design for a bottle, as shown and described.

DESCRIPTION

FIG. 1 is a top perspective view of a bottle showing my new design;

FIG. 2 is bottom perspective view of FIG. 1;

FIG. 3 is a side view of FIG. 1;

FIG. 4 is another side view of FIG. 1, the opposite side view being a mirror image thereof;

FIG. 5 is an opposite side view of FIG. 3;

FIG. 6 is a top view of FIG. 1; and,

FIG. 7 is a bottom view of FIG. 1.

1 Claim, 4 Drawing Sheets

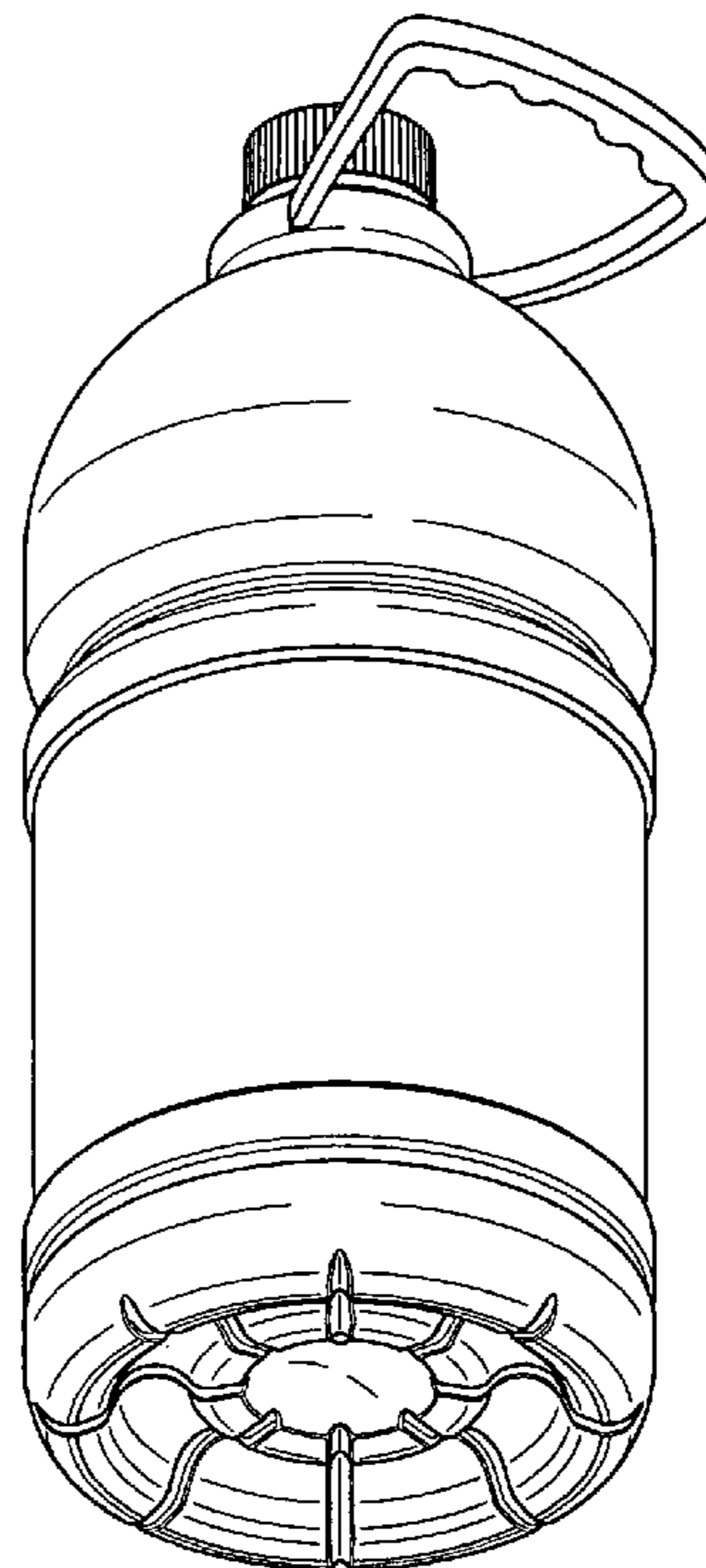
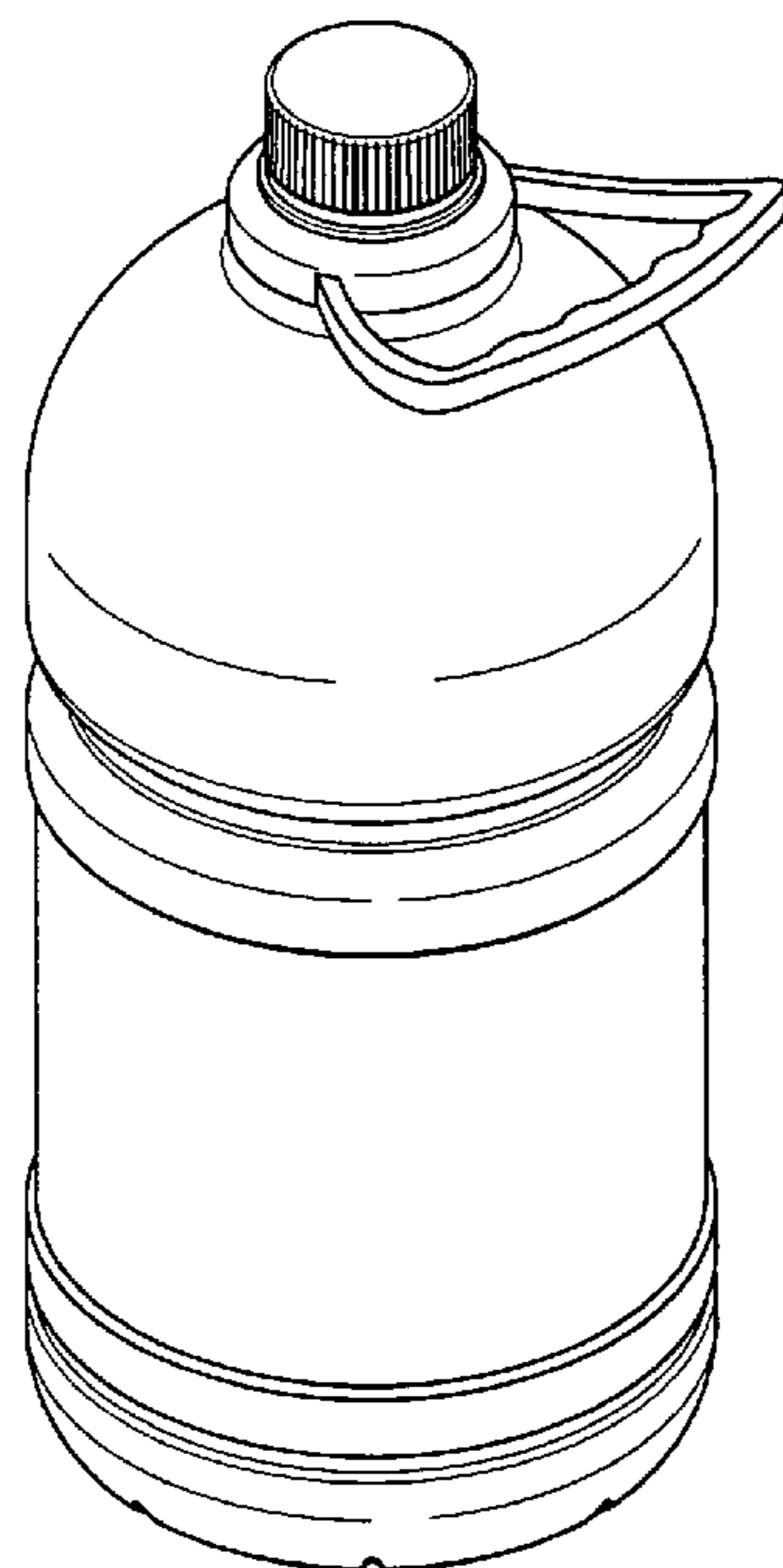


FIG. 1

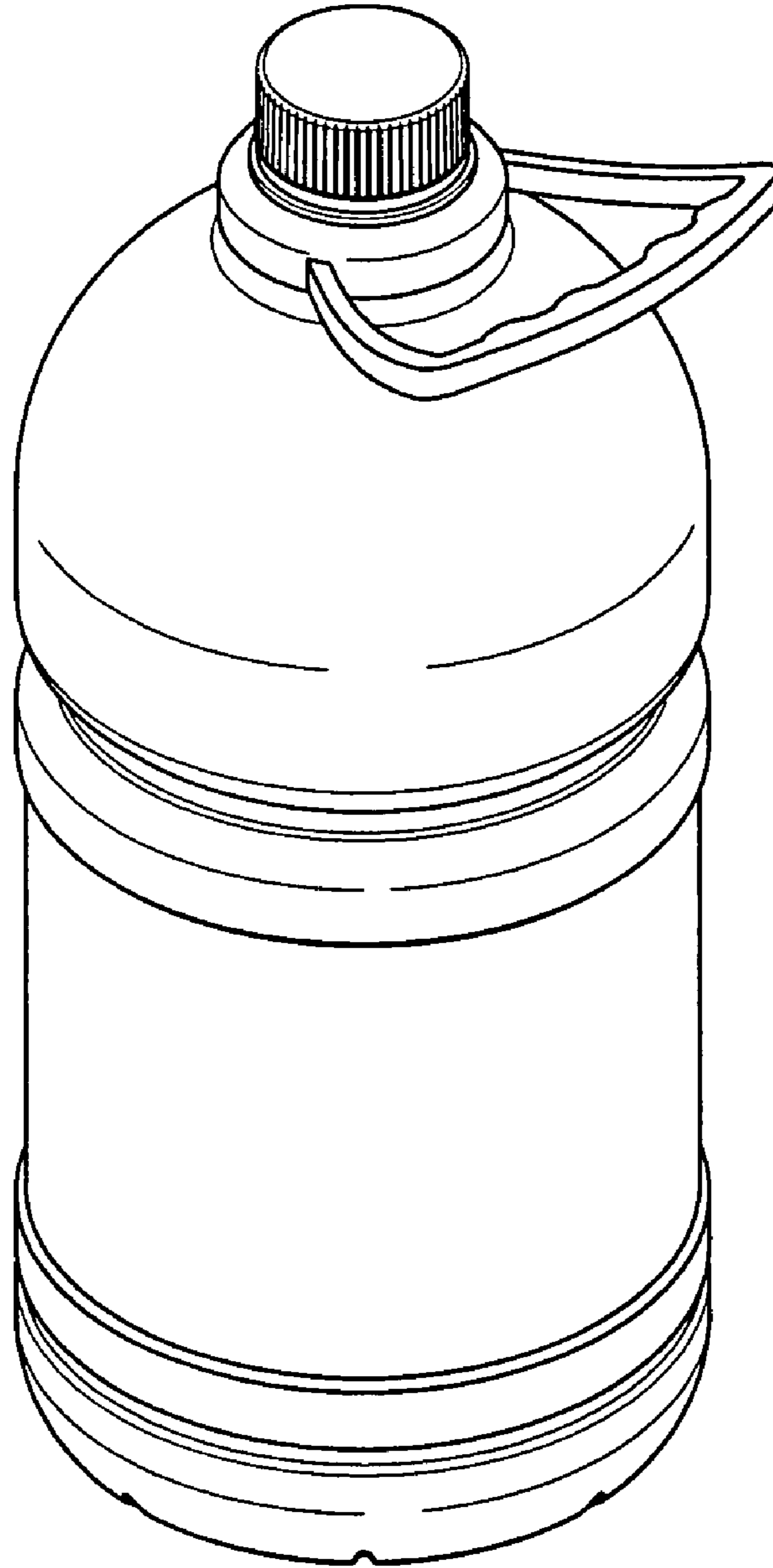


FIG. 2

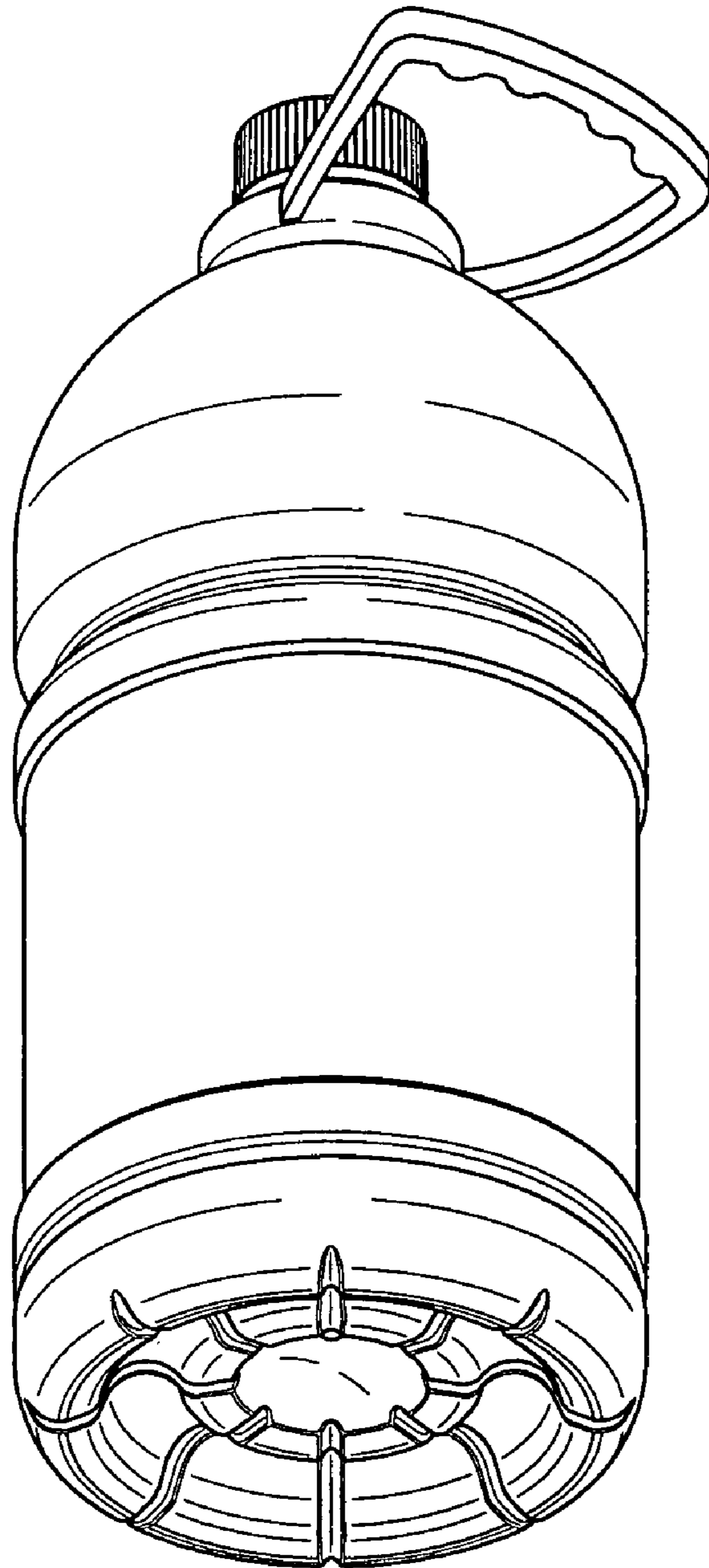


FIG. 3

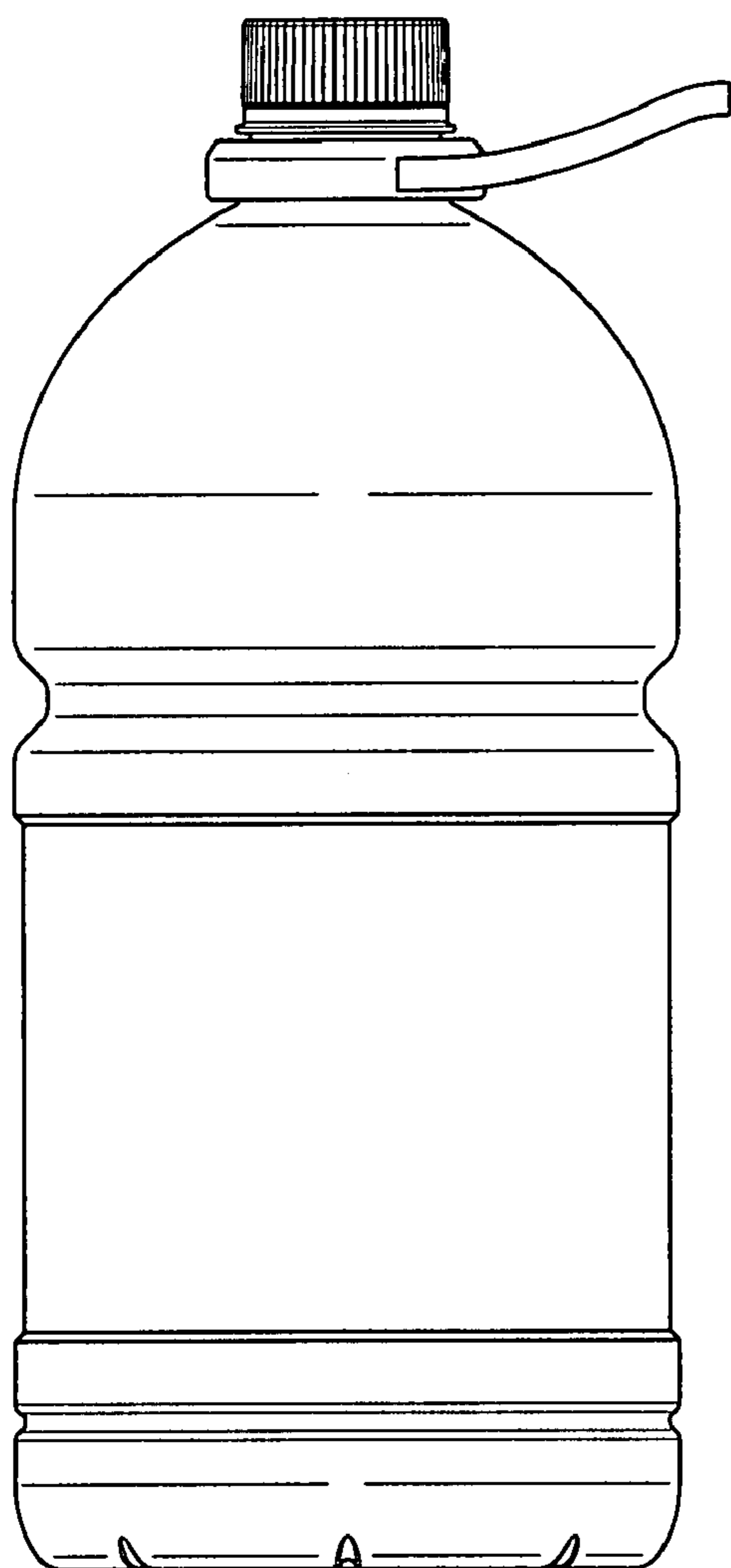


FIG. 4

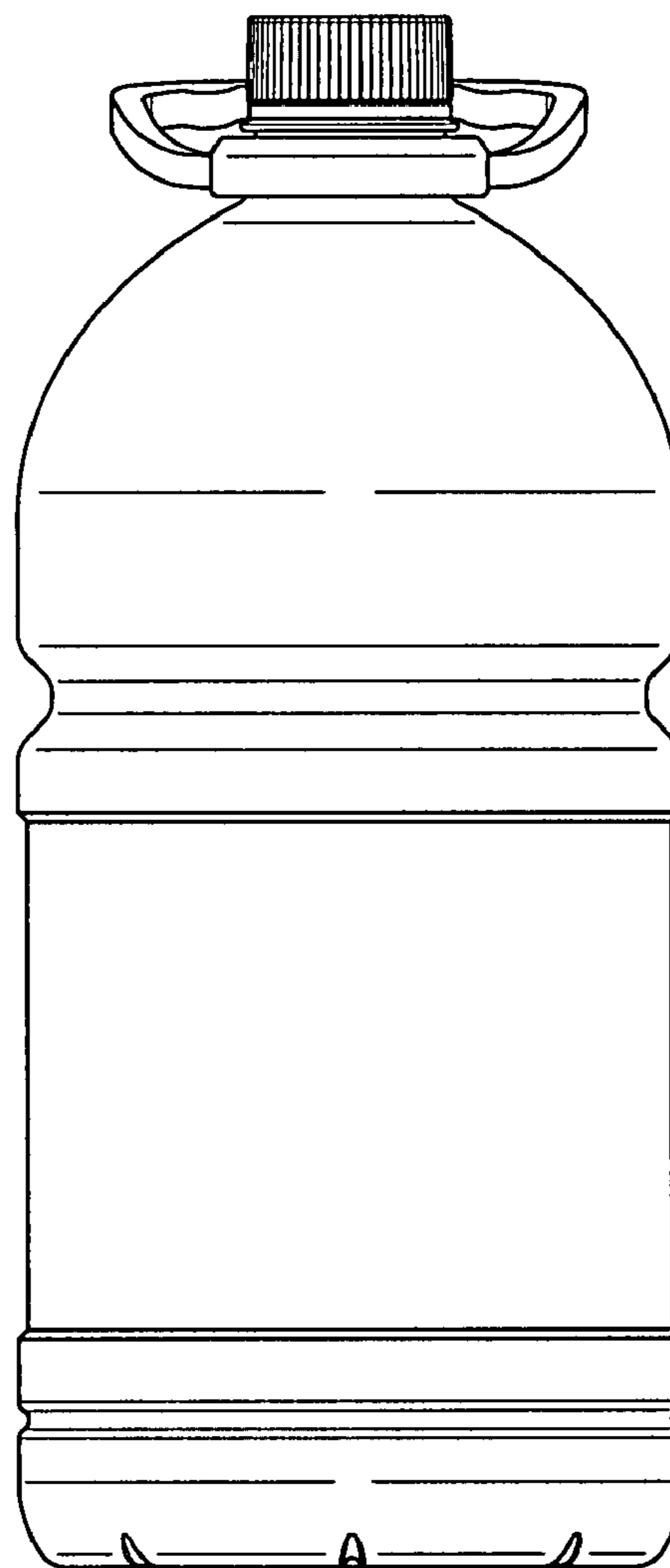


FIG. 5

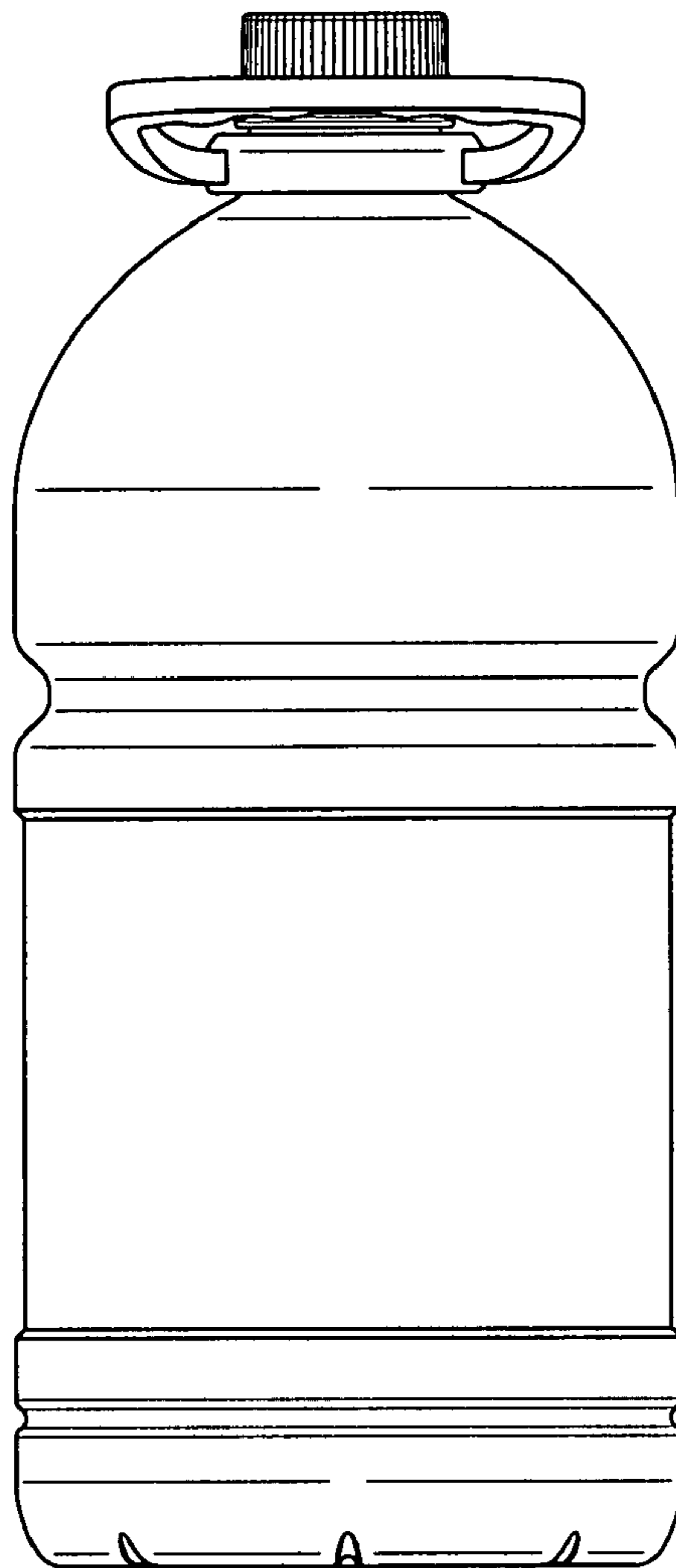


FIG. 6

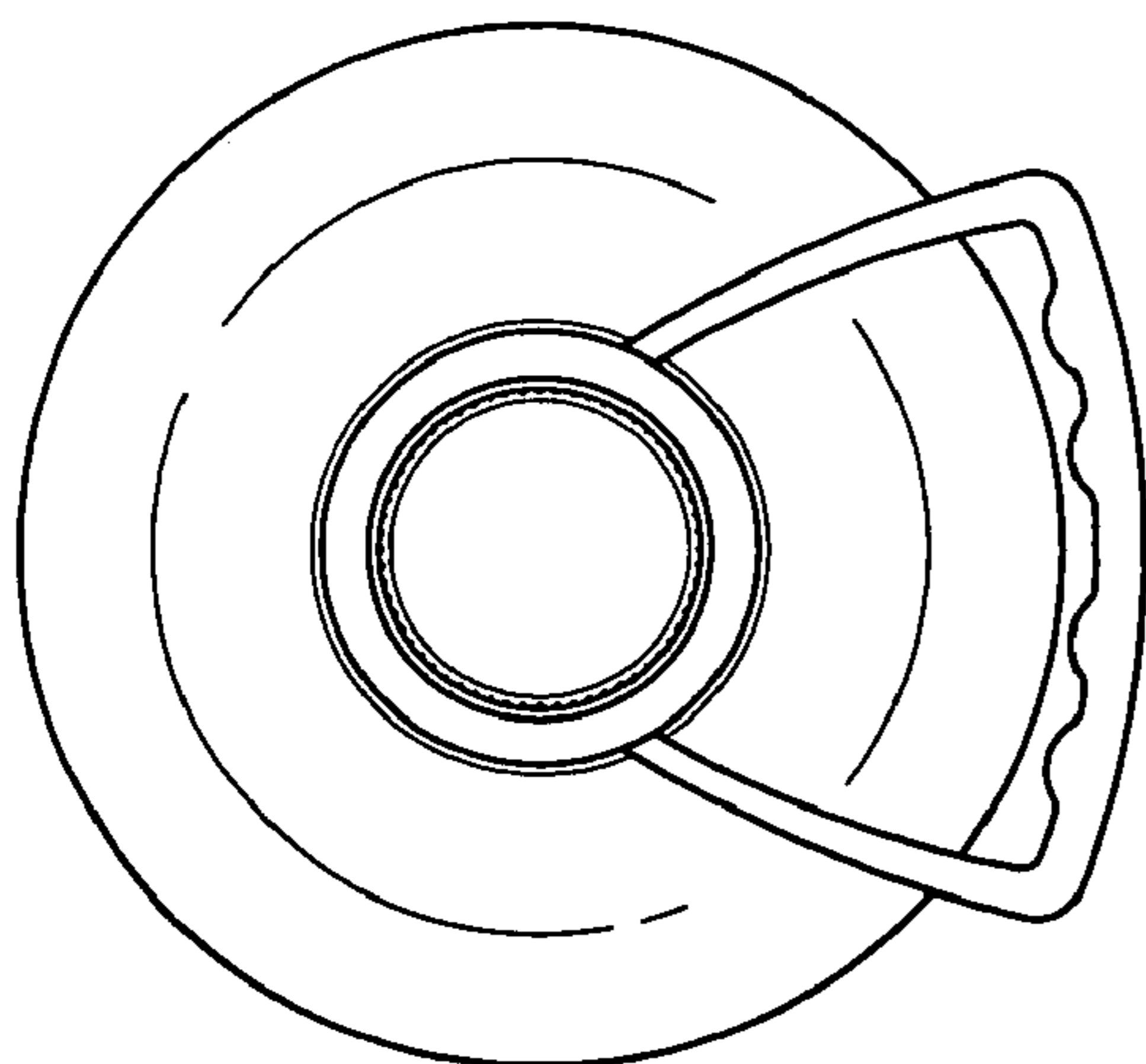


FIG. 7

