



US00D553991S

(12) **United States Design Patent**  
**Wachsberg**

(10) **Patent No.:** **US D553,991 S**

(45) **Date of Patent:** **\*\* Oct. 30, 2007**

(54) **BOTTLE AND CAP**

(75) Inventor: **Richard Wachsberg**, Concord (CA)

(73) Assignee: **Rwachsberg Holdings Inc.** (CA)

(\*\*) Term: **14 Years**

(21) Appl. No.: **29/276,336**

(22) Filed: **Jan. 23, 2007**

(30) **Foreign Application Priority Data**

Nov. 18, 2006 (CA) ..... 118178

(51) **LOC (8) Cl.** ..... **09-01**

(52) **U.S. Cl.** ..... **D9/528**

(58) **Field of Classification Search** ..... D9/516,  
D9/520, 527, 528, 529, 531, 559, 563, 565,  
D9/569; 215/14, 200, 217, 218, 223, 241,  
215/375, 379, 382-385, 396, 398; 222/92,  
222/109, 210, 212, 215; 220/200, 260  
See application file for complete search history.

(56) **References Cited**

**U.S. PATENT DOCUMENTS**

D250,572 S *	12/1978	Sneeden et al.	.....	D9/528
D377,759 S *	2/1997	Hot	.....	D9/520
D408,739 S *	4/1999	Satterfield et al.	.....	D9/520
D413,517 S *	9/1999	Zimny et al.	.....	D9/528
D490,319 S *	5/2004	Wiper	.....	D9/528
D496,865 S *	10/2004	Roubal et al.	.....	D9/528
D499,339 S *	12/2004	Reynolds et al.	.....	D9/528
D526,203 S *	8/2006	Mishra	.....	D9/527

\* cited by examiner

*Primary Examiner*—Mitchell Siegel

*Assistant Examiner*—Shanda C. Hill

(74) *Attorney, Agent, or Firm*—Synnestvedt Lechner & Woodbridge LLP

(57) **CLAIM**

The ornamental design for a bottle and cap, as shown and described.

**DESCRIPTION**

FIG. 1 is a front elevational view of a bottle and cap embodying my new design;

FIG. 2 is a first side elevational view thereof;

FIG. 3 is a rear elevational view thereof;

FIG. 4 is a second side elevational view thereof;

FIG. 5 is a bottom plan view thereof;

FIG. 6 is a top plan view thereof;

FIG. 7 is a top, front, side perspective view thereof;

FIG. 8 is another top, front, side perspective view of FIG. 7, shown with the cap in an open position;

FIG. 9 is a first side elevational view of the cap of FIG. 8;

FIG. 10 is a top plan view of the cap of FIG. 8;

FIG. 11 is a bottom plan view of the cap of FIG. 8;

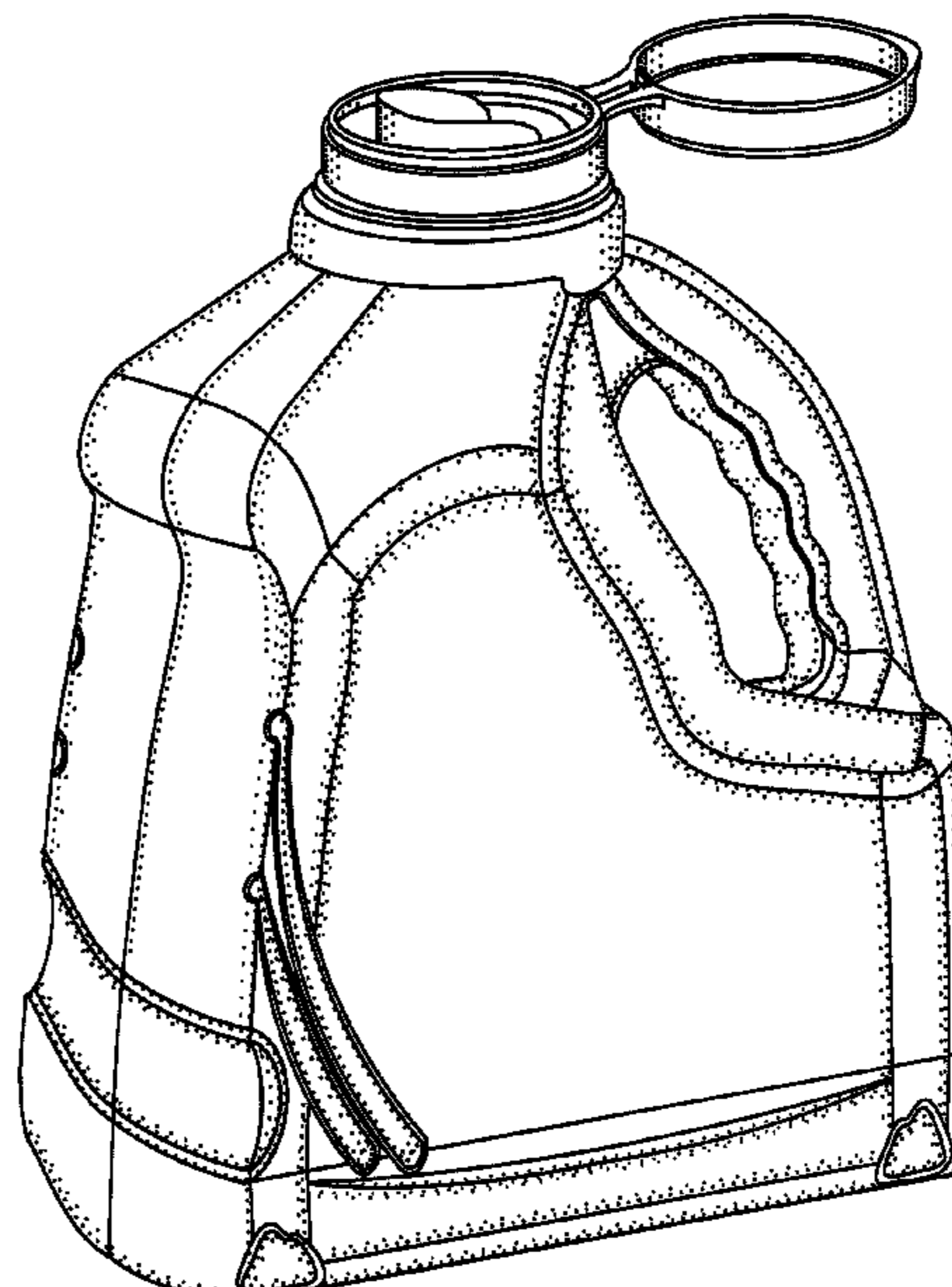
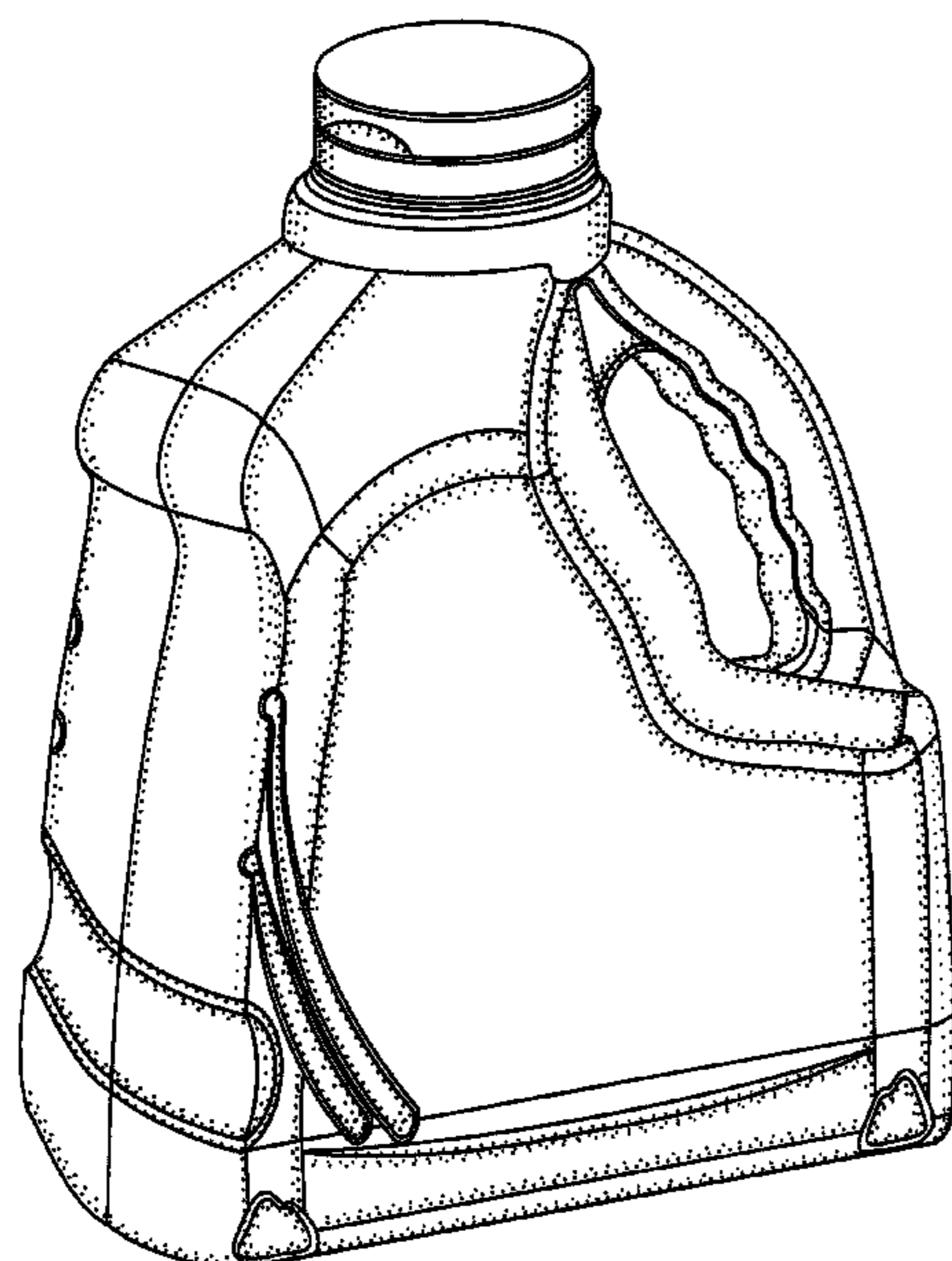
FIG. 12 is a front elevational view of the cap of FIG. 8;

FIG. 13 is a rear elevational view of the cap of FIG. 8, shown in a closed position;

FIG. 14 is a top, rear, side perspective view of the cap of FIG. 8; and,

FIG. 15 is another perspective view of the cap of FIG. 14, shown in a closed position.

**1 Claim, 9 Drawing Sheets**



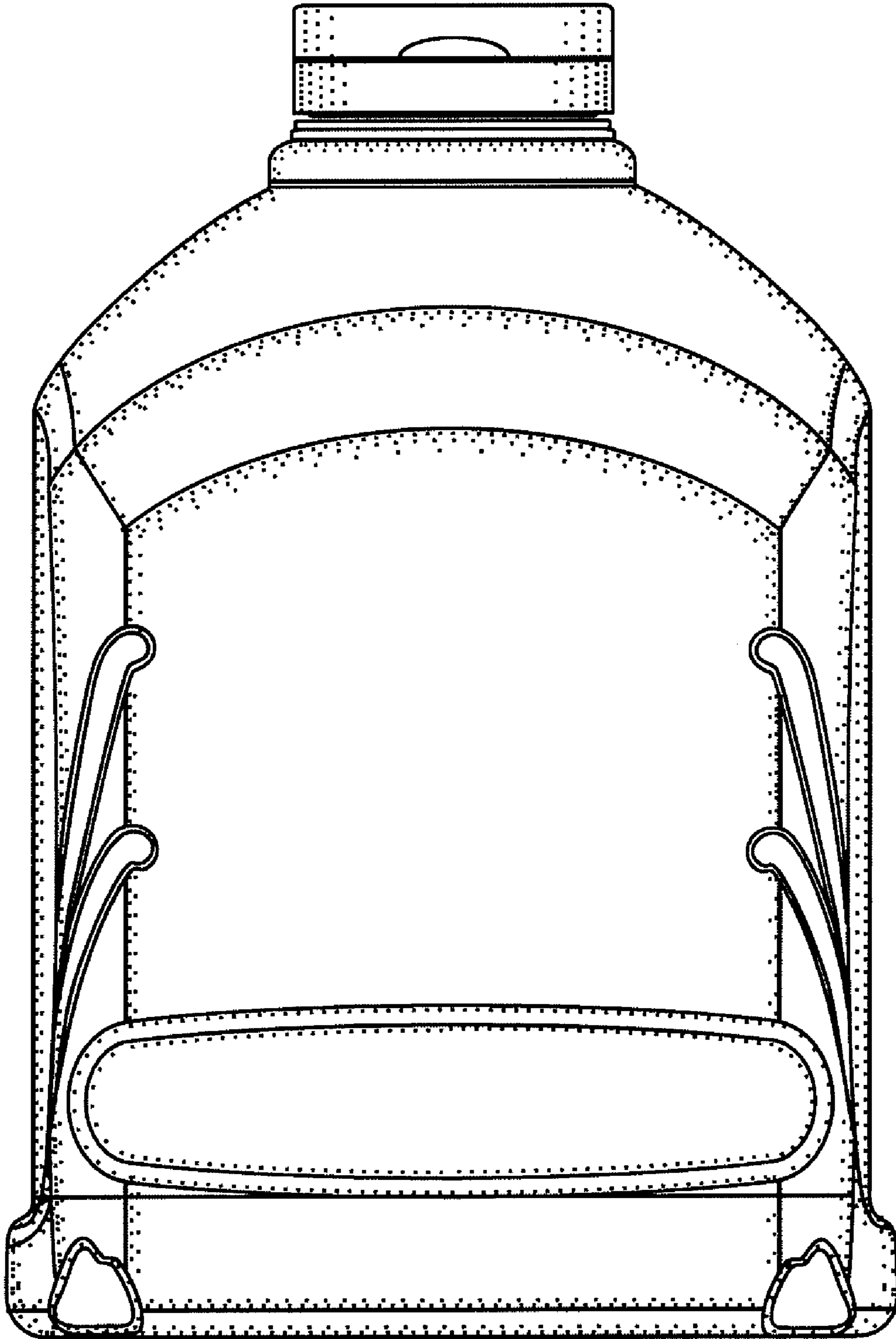


Fig. 1

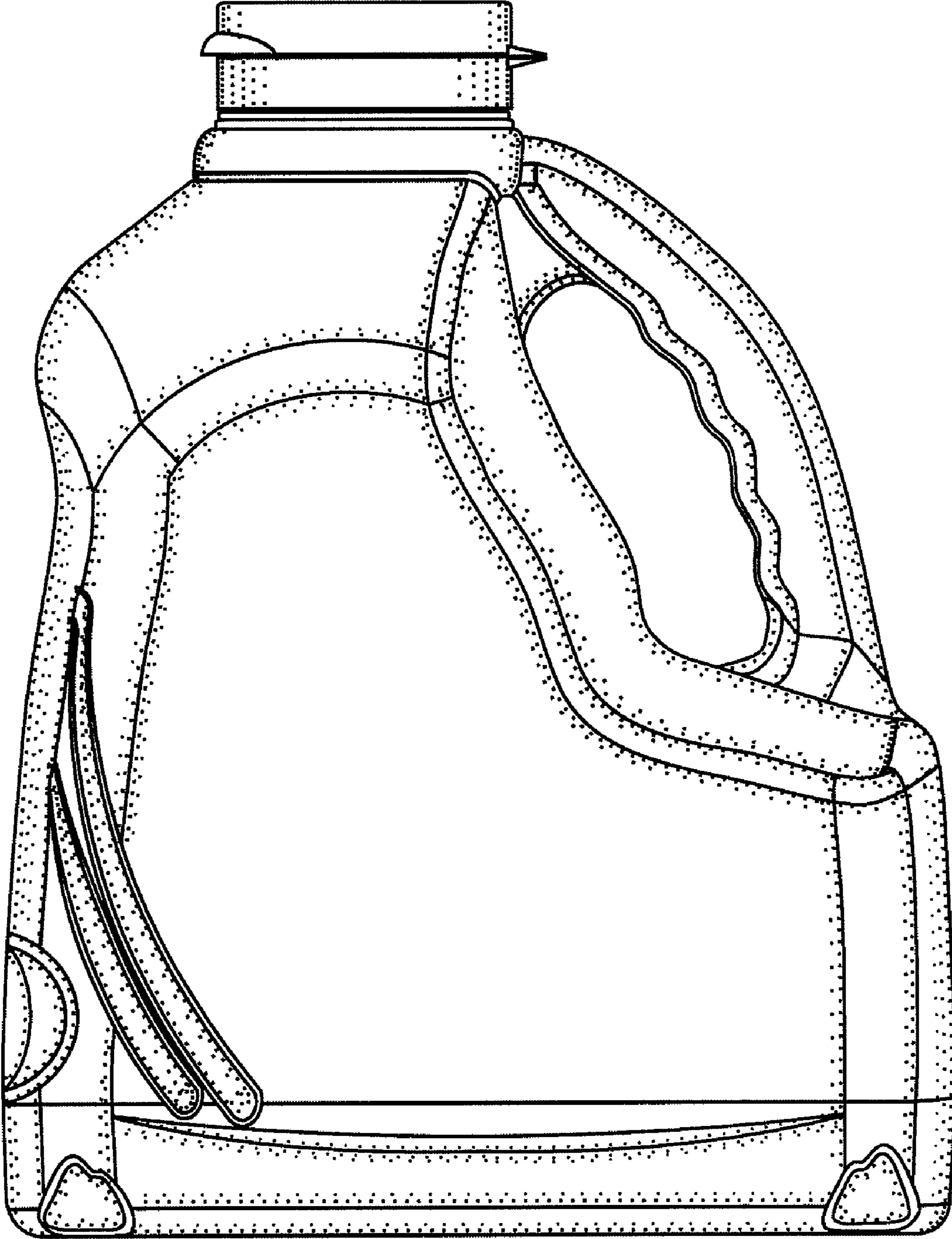


Fig. 2

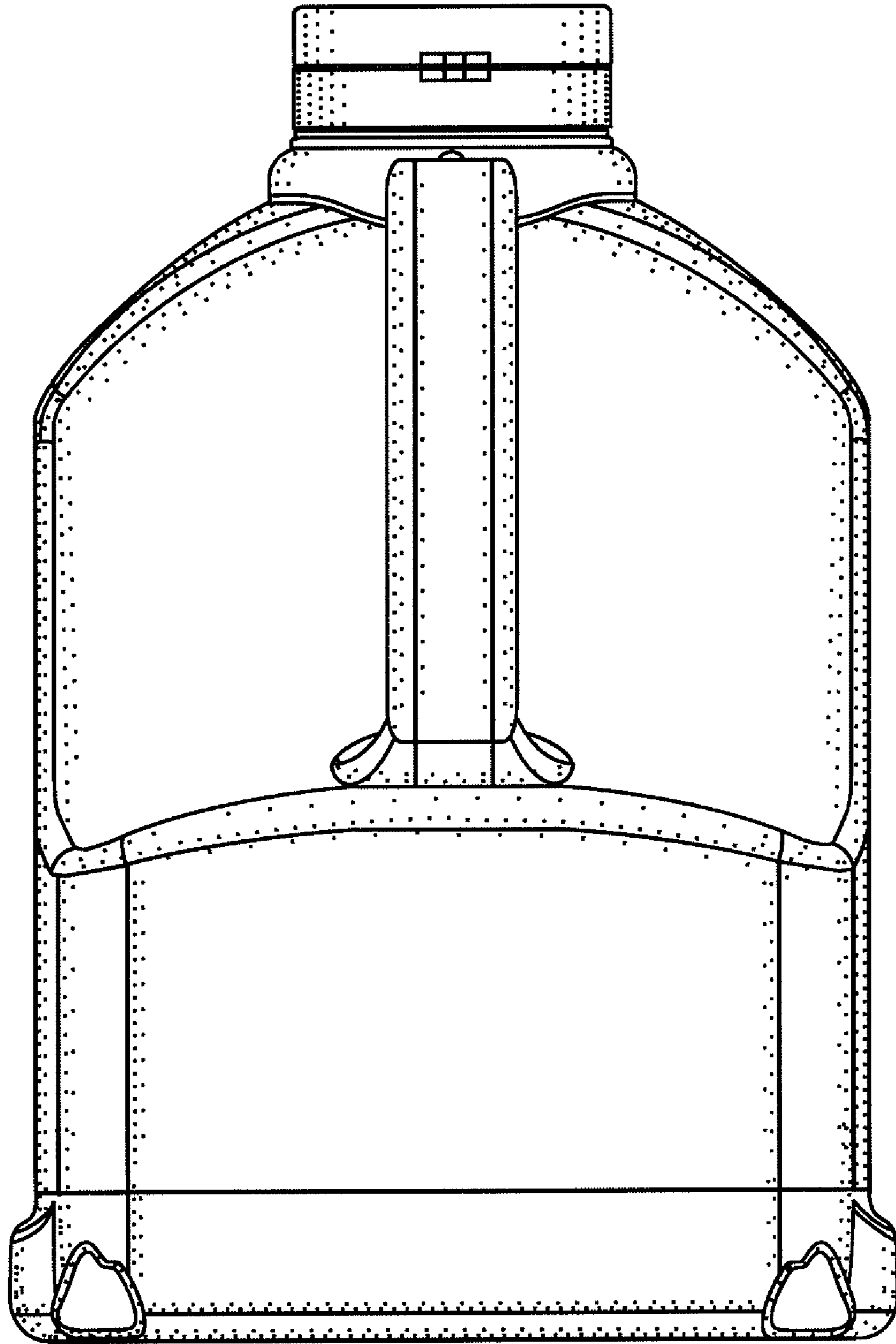


Fig. 3

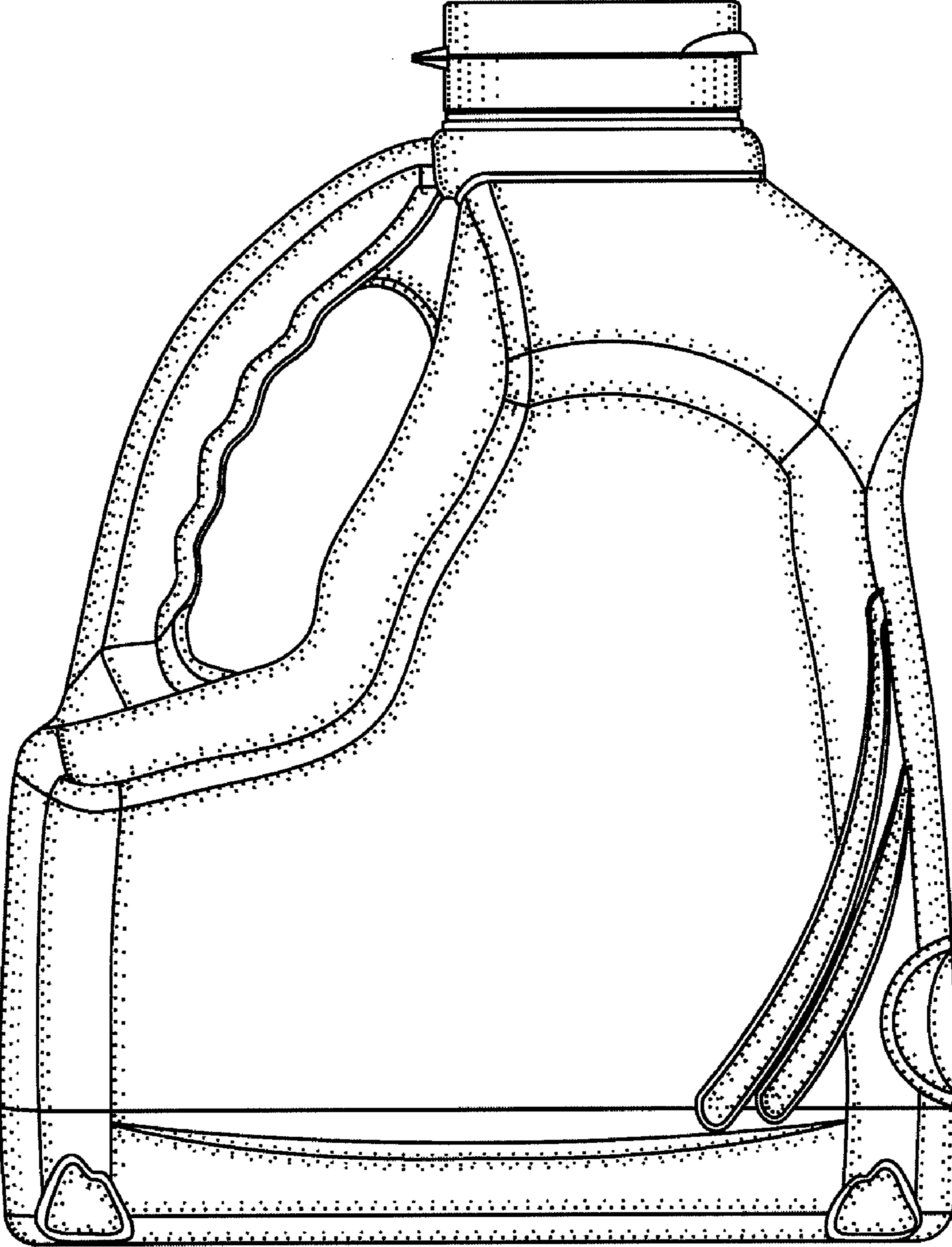


Fig. 4

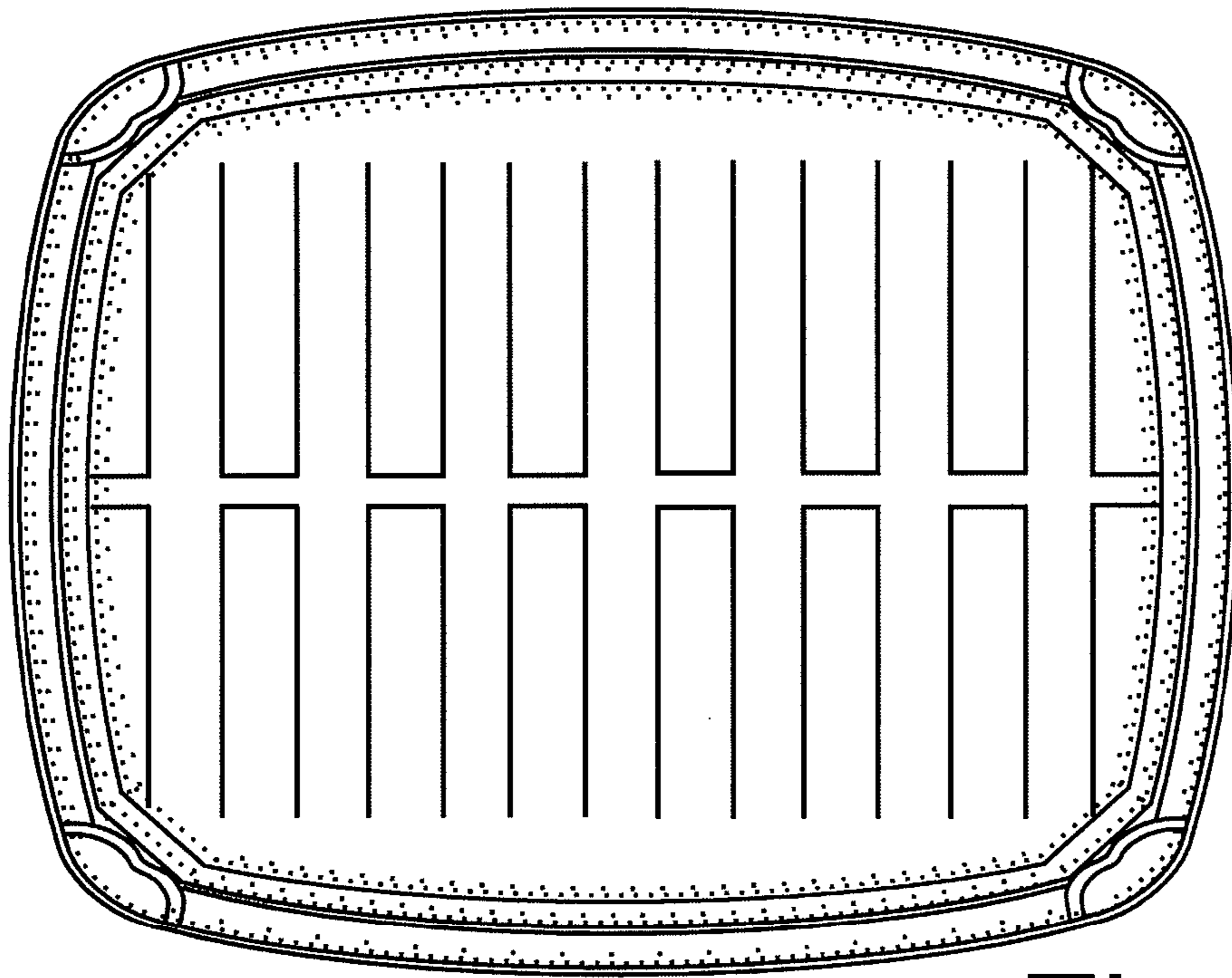


Fig. 5

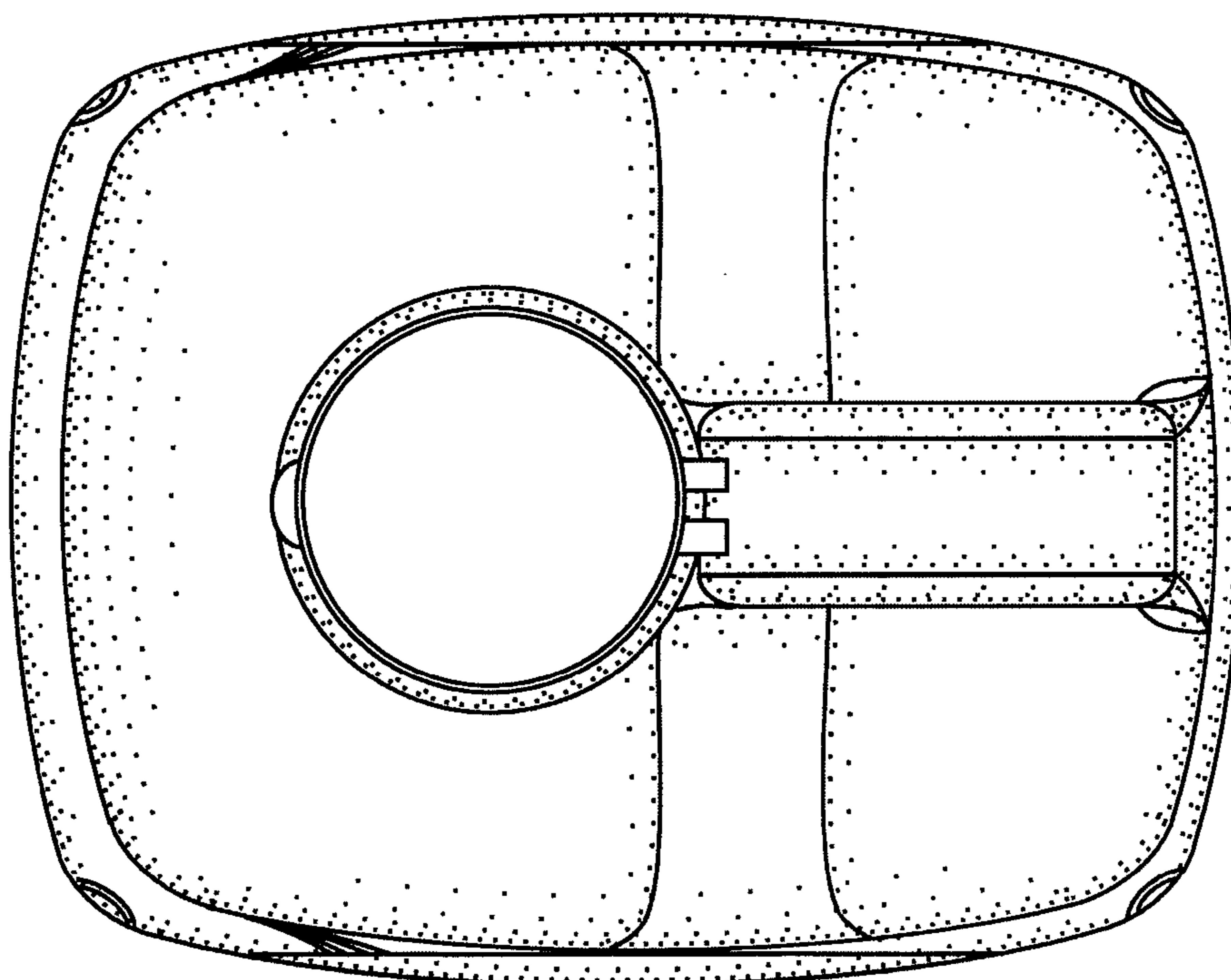


Fig. 6

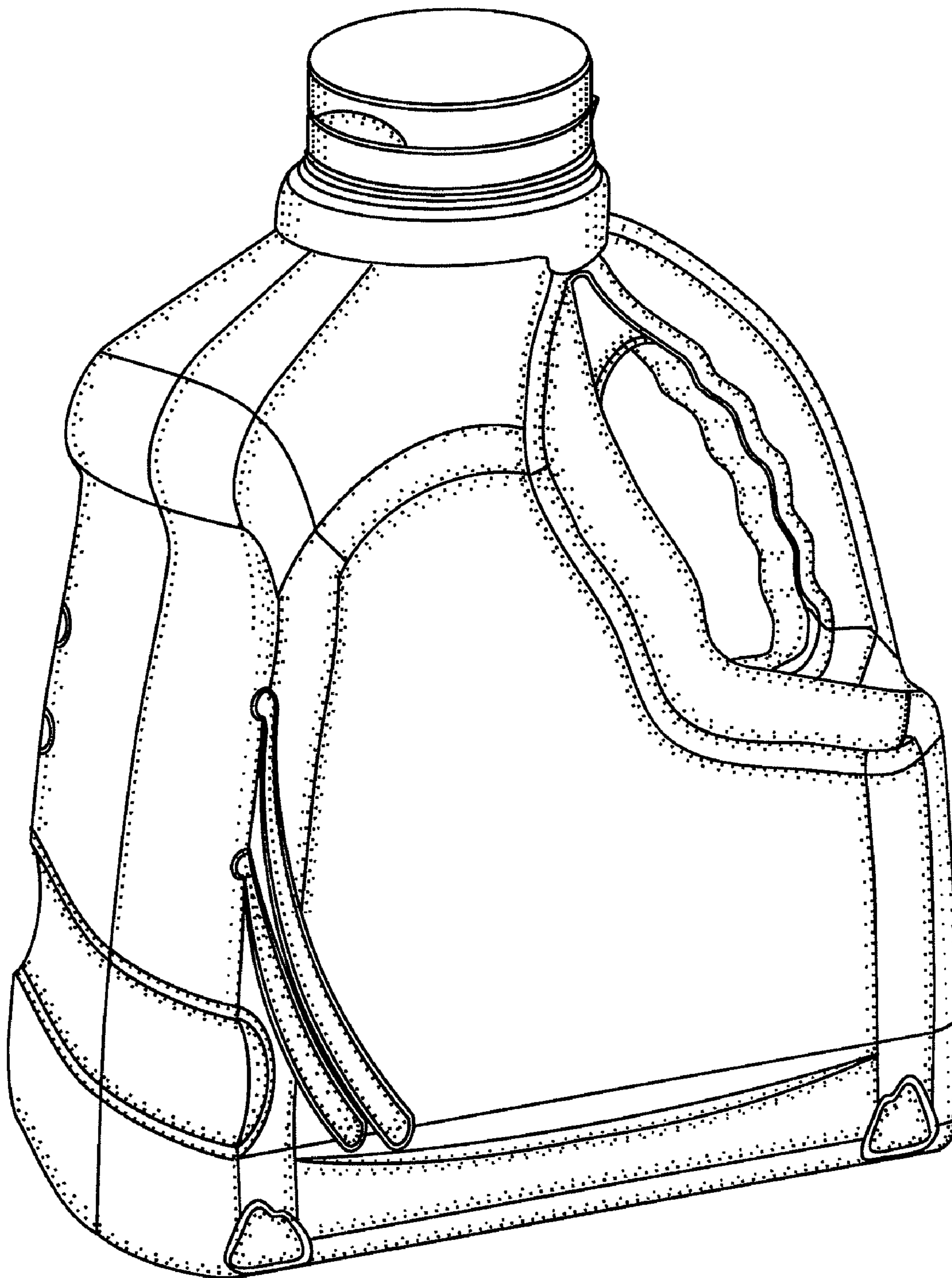


Fig. 7

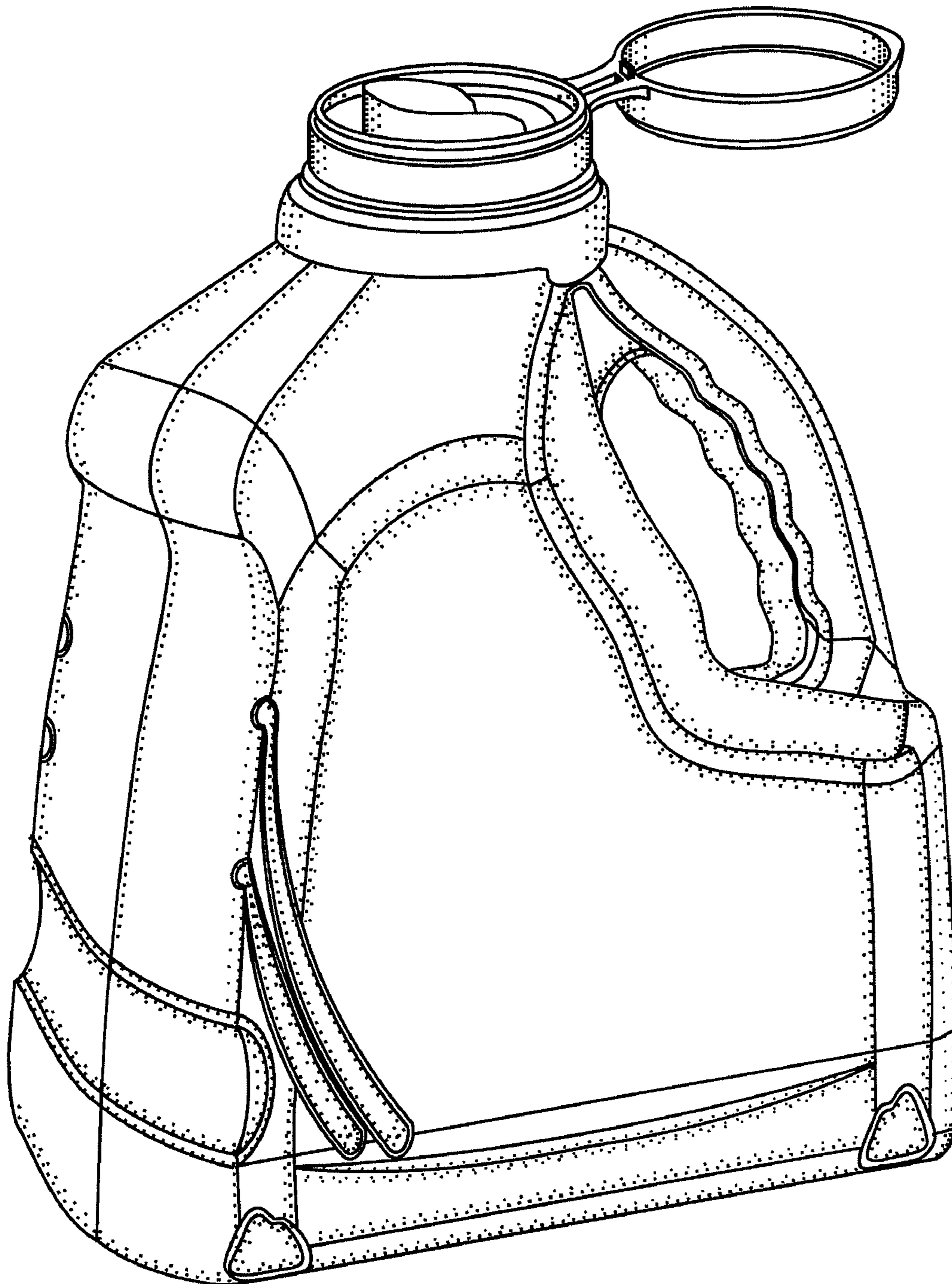


Fig. 8



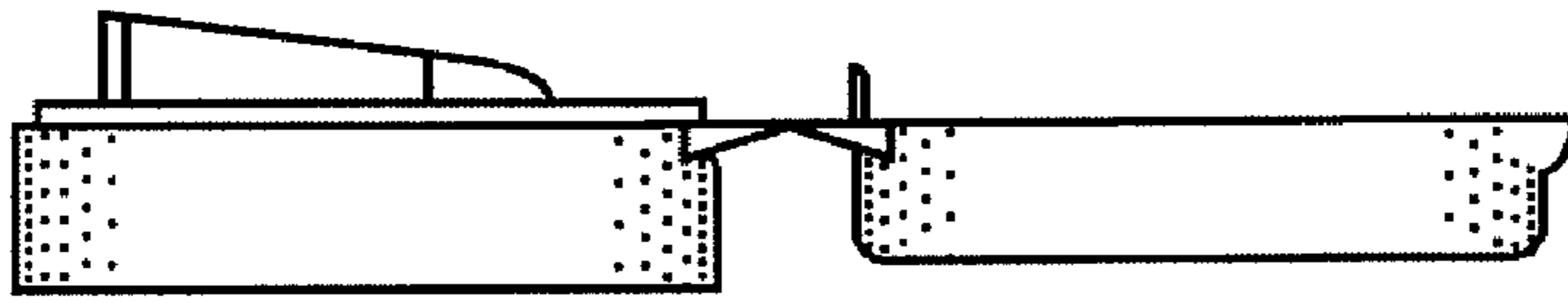


Fig. 9

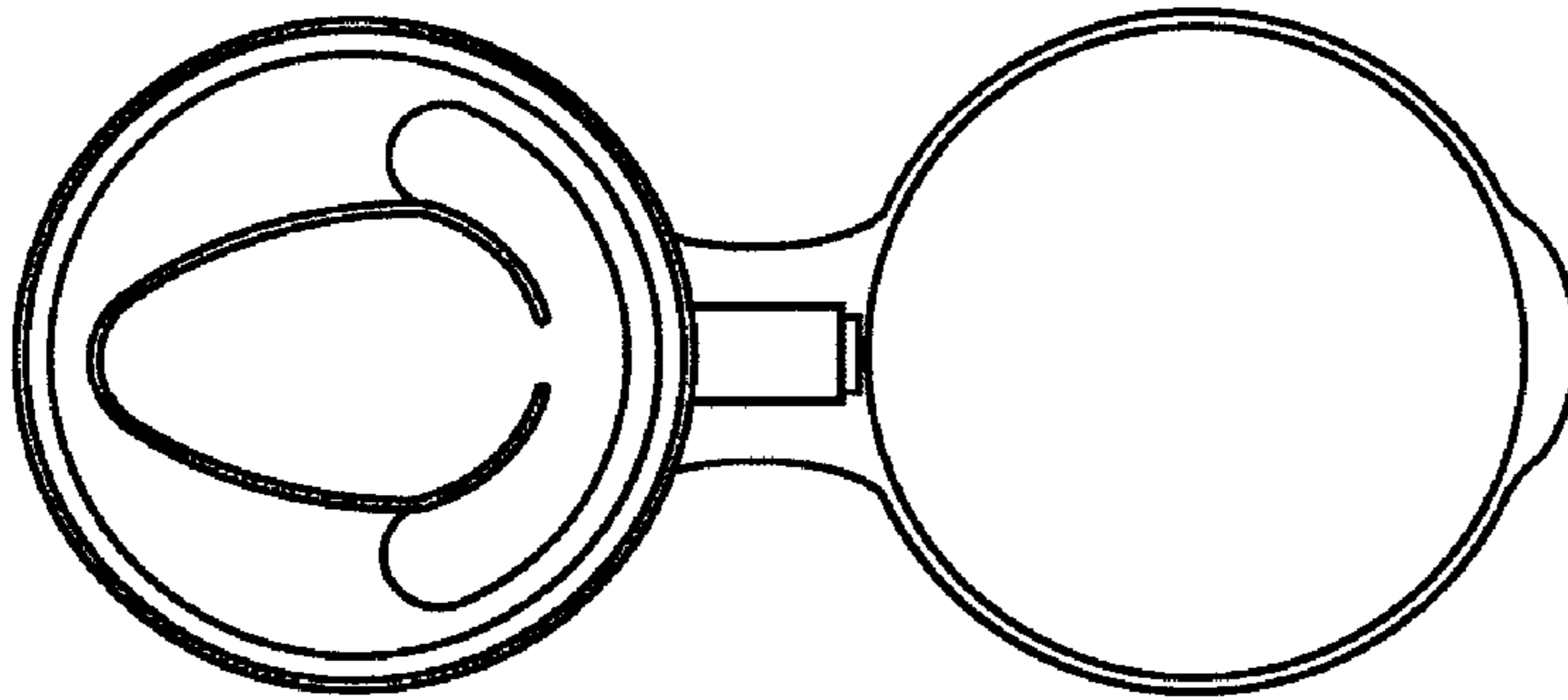


Fig. 10

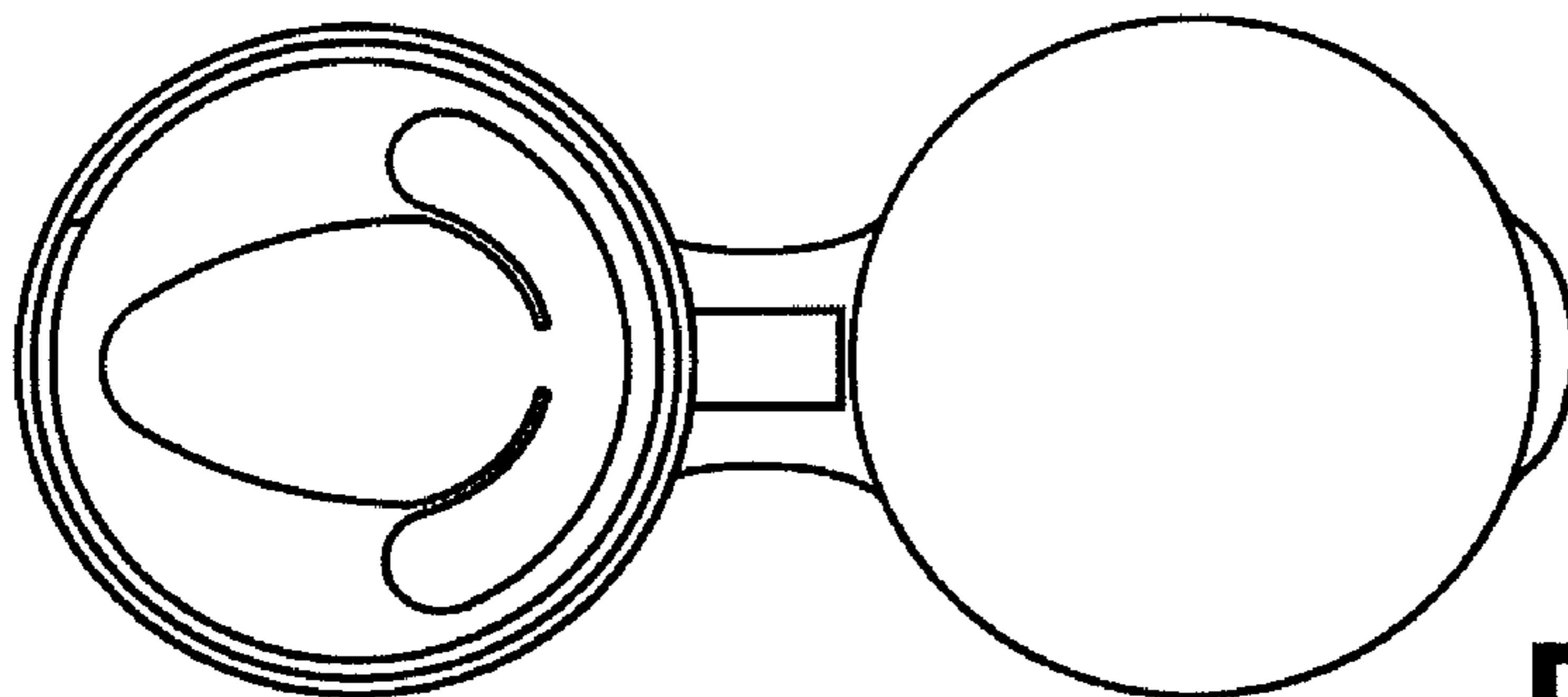


Fig. 11

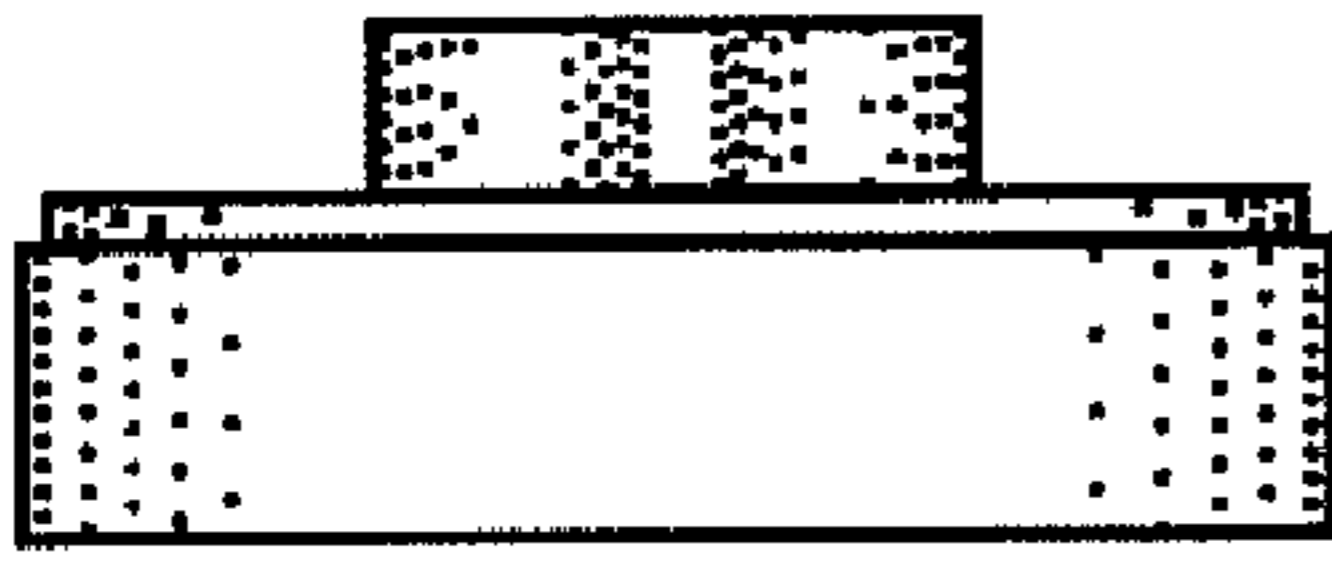


Fig. 12

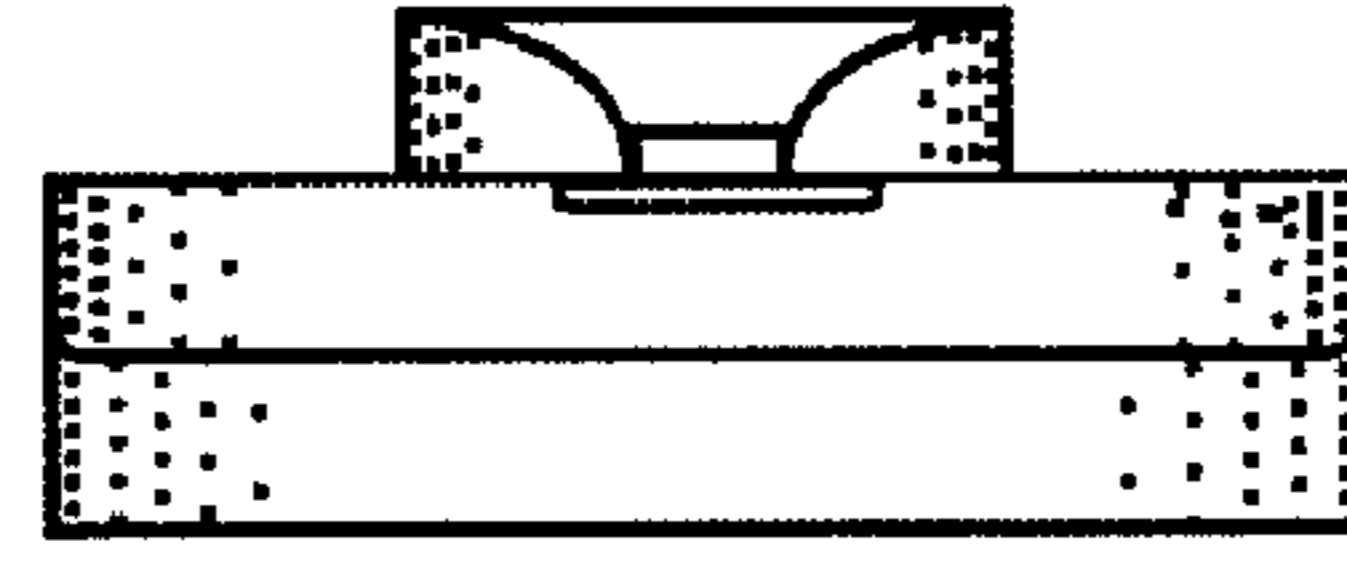


Fig. 13

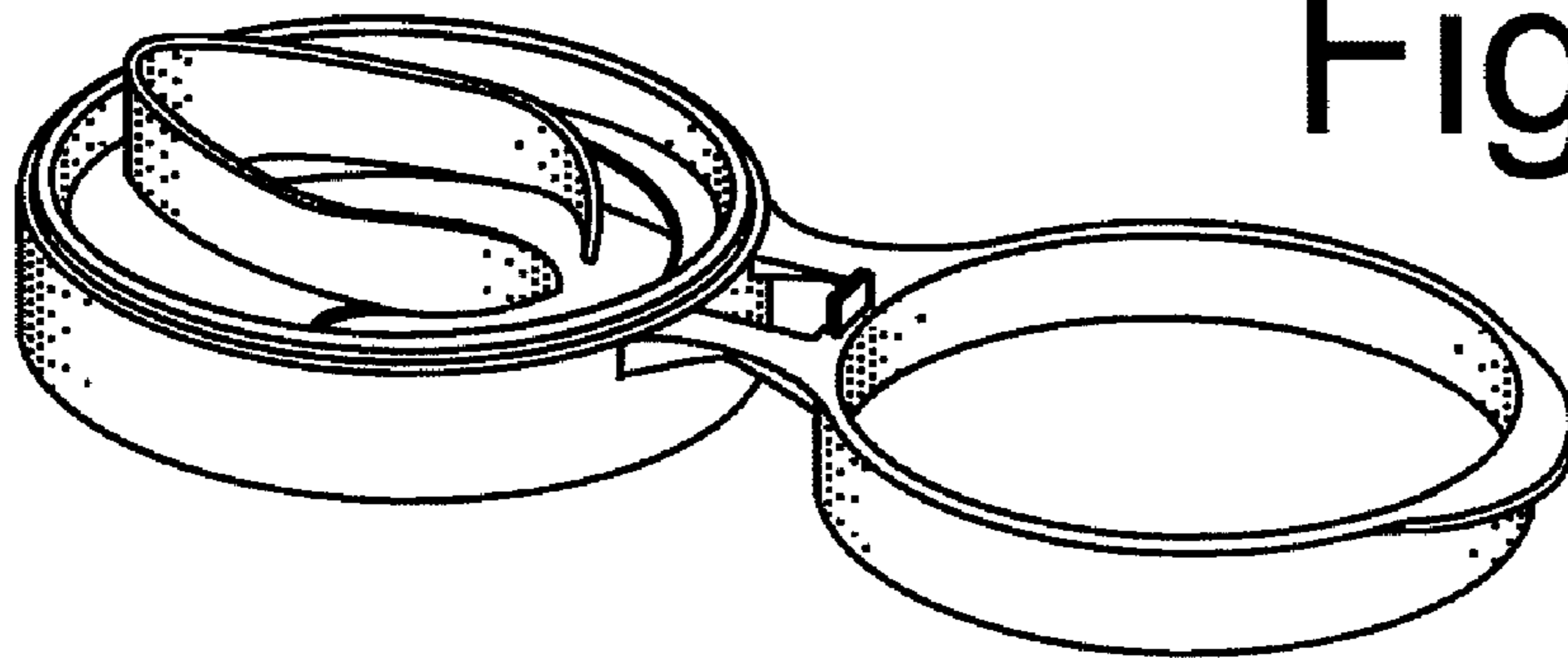


Fig. 14

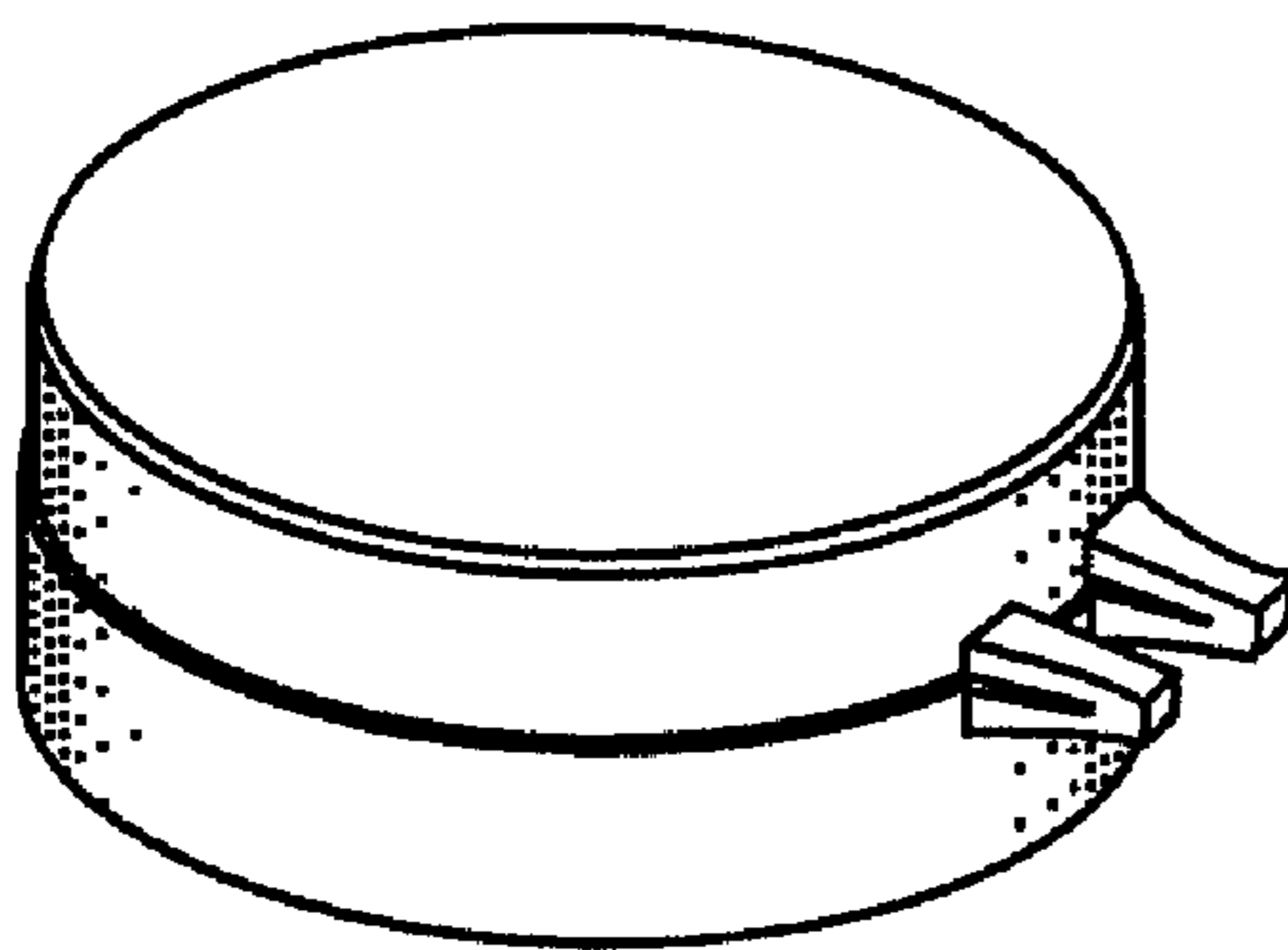


Fig. 15