



US00D553988S

(12) **United States Design Patent** (10) **Patent No.:** **US D553,988 S**
Perry et al. (45) **Date of Patent:** **** Oct. 30, 2007**

(54) **CONTAINER**
(75) Inventors: **James P. Perry**, Gahanna, OH (US);
Ashley A. Gohlke, Dublin, OH (US);
William J. Hook, Galena, OH (US);
Katherine J. Jordan, Pickerington, OH
(US); **Frank S. Walczak**, Galena, OH
(US); **Peter B. Clarke**, Fairfield, CT
(US); **J. Kevin Clay**, Milford, CT (US)

(73) Assignee: **Abbott Laboratories**, Abbott Park, IL
(US)

(**) Term: **14 Years**

(21) Appl. No.: **29/270,540**

(22) Filed: **Dec. 27, 2006**

(51) **LOC (8) Cl.** **09-01**
(52) **U.S. Cl.** **D9/516**
(58) **Field of Classification Search** D9/516,
D9/520, 529-530, 537-543, 549, 551-552,
D9/556-561, 564-565, 569-575; 215/379-384;
220/660-661, 669, 675

See application file for complete search history.

(56) **References Cited**

U.S. PATENT DOCUMENTS

2,013,243 A	9/1935	Landon	
D227,222 S	* 6/1973	Plummer D9/543
D250,392 S	11/1978	Leary et al.	
D258,117 S	2/1981	Bashour	
4,327,861 A	5/1982	Thompson	
D277,551 S	2/1985	Kerr	
D279,167 S	6/1985	Haney et al.	
D281,577 S	12/1985	Larson et al.	
D282,349 S	1/1986	Larson et al.	
4,804,097 A	2/1989	Alberghini et al.	
D303,084 S	8/1989	Sedam et al.	
4,890,752 A	1/1990	Ota et al.	
D307,394 S	4/1990	Wetherell, Jr.	
D313,178 S	12/1990	Guislain	
4,993,565 A	2/1991	Ota et al.	
D323,983 S	2/1992	Bastidos	

5,103,988 A	4/1992	Reil et al.
5,141,120 A	8/1992	Brown et al.
5,191,988 A	3/1993	Reil et al.
D343,794 S	2/1994	D'Amico et al.
D354,685 S	1/1995	Krishnakumar et al.
5,392,937 A	2/1995	Prevot et al.
5,518,152 A	5/1996	Burcham et al.
D370,850 S	6/1996	Beaver
5,598,941 A	2/1997	Semersky et al.
D382,485 S	8/1997	Krishnakumar et al.
D385,497 S	10/1997	Krishnakumar et al.
D387,280 S	12/1997	Zimmer et al.
D389,067 S	1/1998	Lown
5,758,790 A	6/1998	Ewing, Jr.
D402,896 S	12/1998	Conrad
D416,801 S	11/1999	Macauley et al.
6,006,901 A	12/1999	Pereira Da Silva
D431,470 S	10/2000	Henderson

(Continued)

Primary Examiner—Ian Simmons
Assistant Examiner—Dana L Sipos
(74) *Attorney, Agent, or Firm*—Thomas D. Brainard

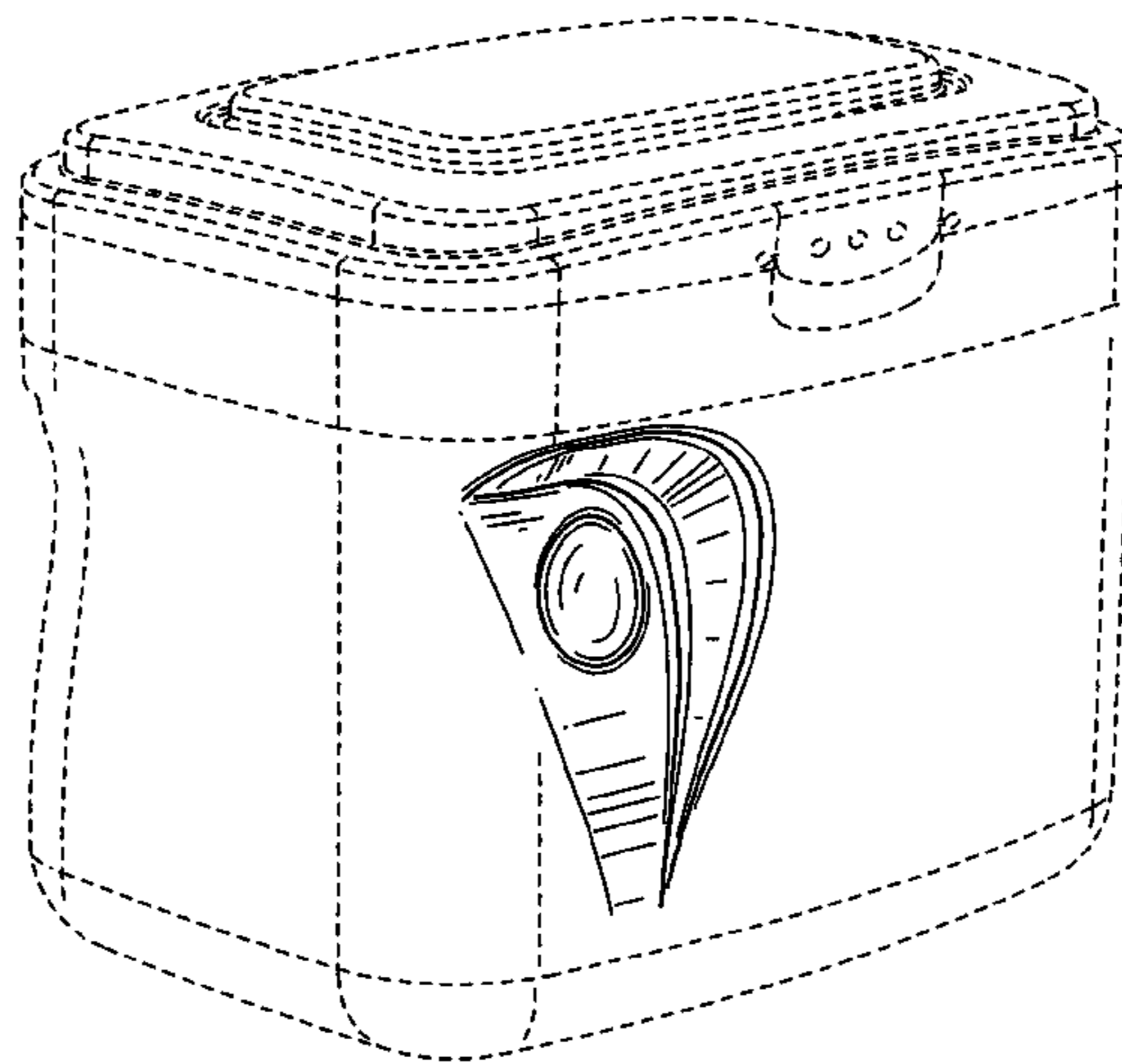
(57) **CLAIM**

We claim the ornamental design for a container, as shown and described.

DESCRIPTION

FIG. 1 is a top, front, left side perspective view of a container of the present invention;
FIG. 2 is a front elevational view thereof;
FIG. 3 is a bottom plan view thereof;
FIG. 4 is a left side elevational view thereof;
FIG. 5 is a right side elevational view thereof;
FIG. 6 is a rear elevational view thereof; and,
FIG. 7 is a top plan view thereof.
The broken lines shown in the drawings are for illustrative purposes only and form no part of the claimed design.

1 Claim, 5 Drawing Sheets



US D553,988 S

Page 2

U.S. PATENT DOCUMENTS

D433,947 S	11/2000	Ewing, Jr.	D528,007 S	9/2006	De Niverville et al.
D449,538 S	10/2001	Burleson et al.	D528,919 S	9/2006	Kipperman et al.
D450,595 S	11/2001	Ogg et al.	D530,616 S	10/2006	Kipperman et al.
D462,012 S	8/2002	Manderfield, Jr.	D530,617 S	10/2006	Little et al.
D475,628 S	6/2003	Walsh et al.	7,156,265 B2	1/2007	Walsh et al.
D476,898 S	7/2003	Schuller et al.	2001/0030167 A1	10/2001	Mooney
D478,820 S	8/2003	Walsh et al.	2003/0121941 A1	7/2003	Walsh et al.
D482,287 S	11/2003	Kraft	2003/0218020 A1	11/2003	Gilliam et al.
D489,991 S	5/2004	Deubel et al.	2004/0011811 A1	1/2004	McLelland et al.
D498,679 S	11/2004	Meeker et al.	2005/0218107 A1	10/2005	Sabold et al.
D507,184 S	7/2005	Beaver et al.	2005/0252881 A1	11/2005	Zhang et al.
D509,437 S	9/2005	Crawford	2006/0027585 A1	2/2006	Clamage
D522,371 S	6/2006	Livingston	2006/0131347 A1	6/2006	Nottingham et al.
D527,271 S	8/2006	Heisner et al.	2006/0180568 A1	8/2006	Lane
7,097,060 B2	8/2006	Penny et al.	2006/0207963 A1	9/2006	Little et al.
7,097,061 B2	8/2006	Simpson, Jr. et al.	2006/0273118 A1	12/2006	Walsh et al.

* cited by examiner

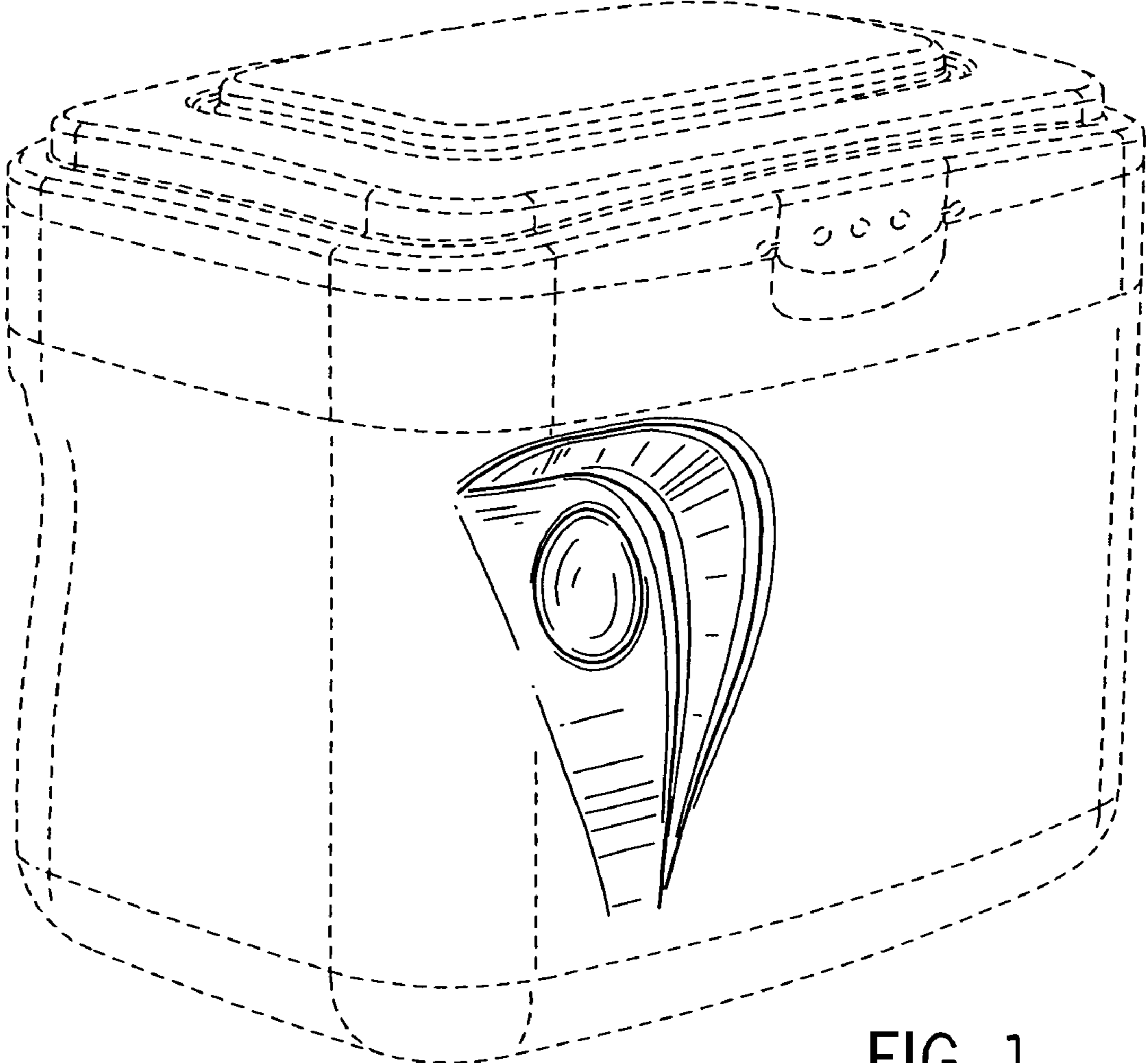


FIG. 1

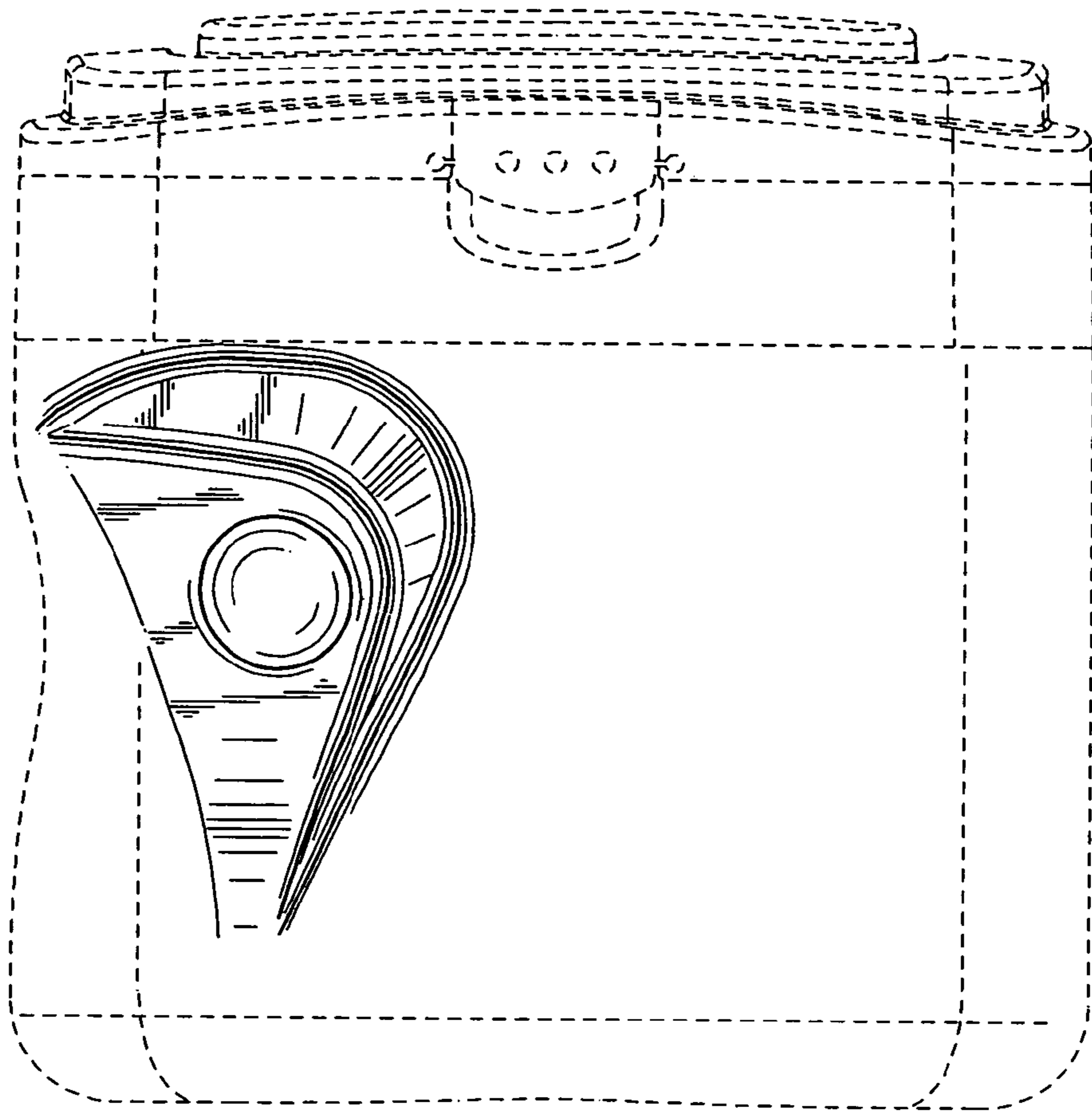


FIG. 2

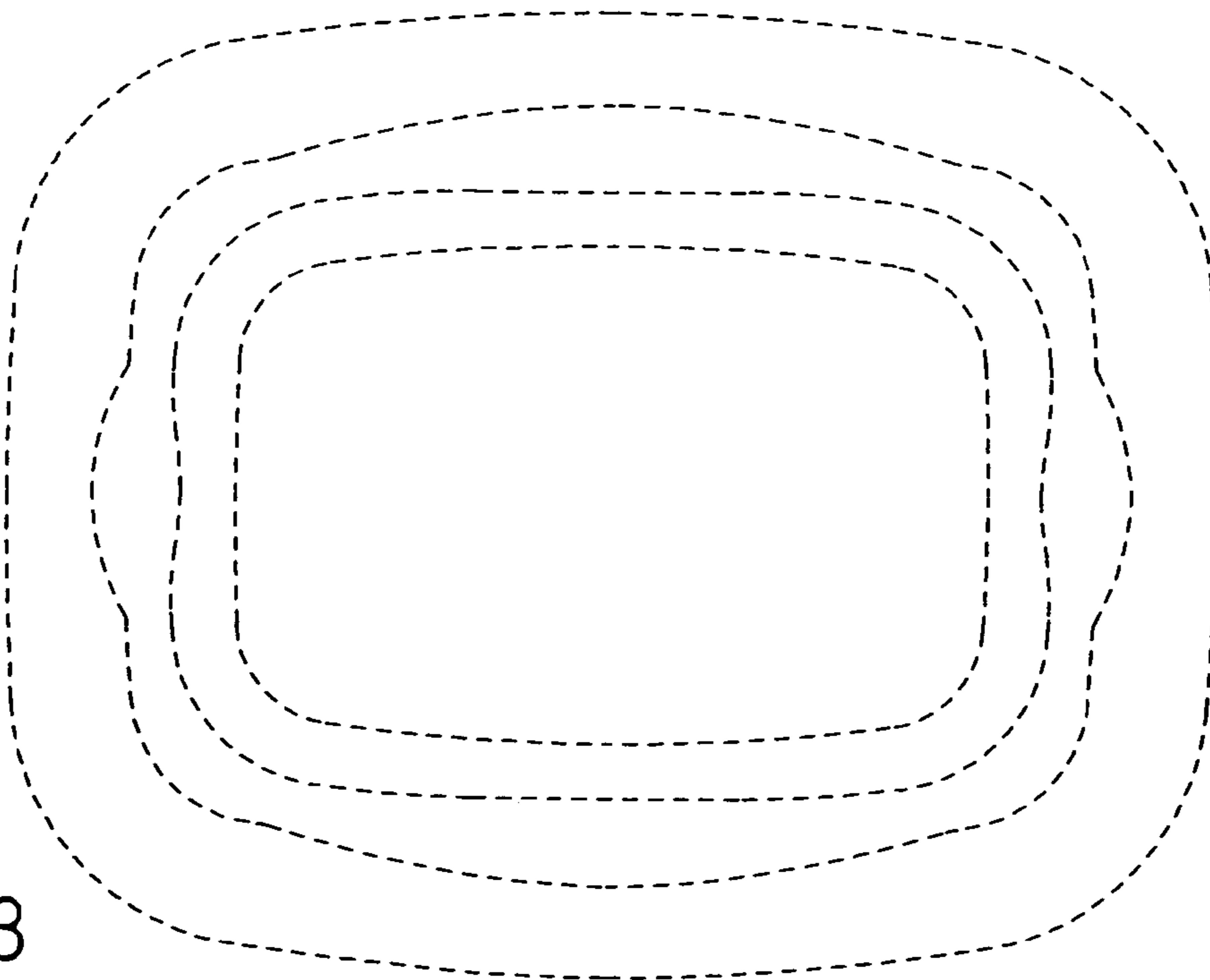


FIG. 3

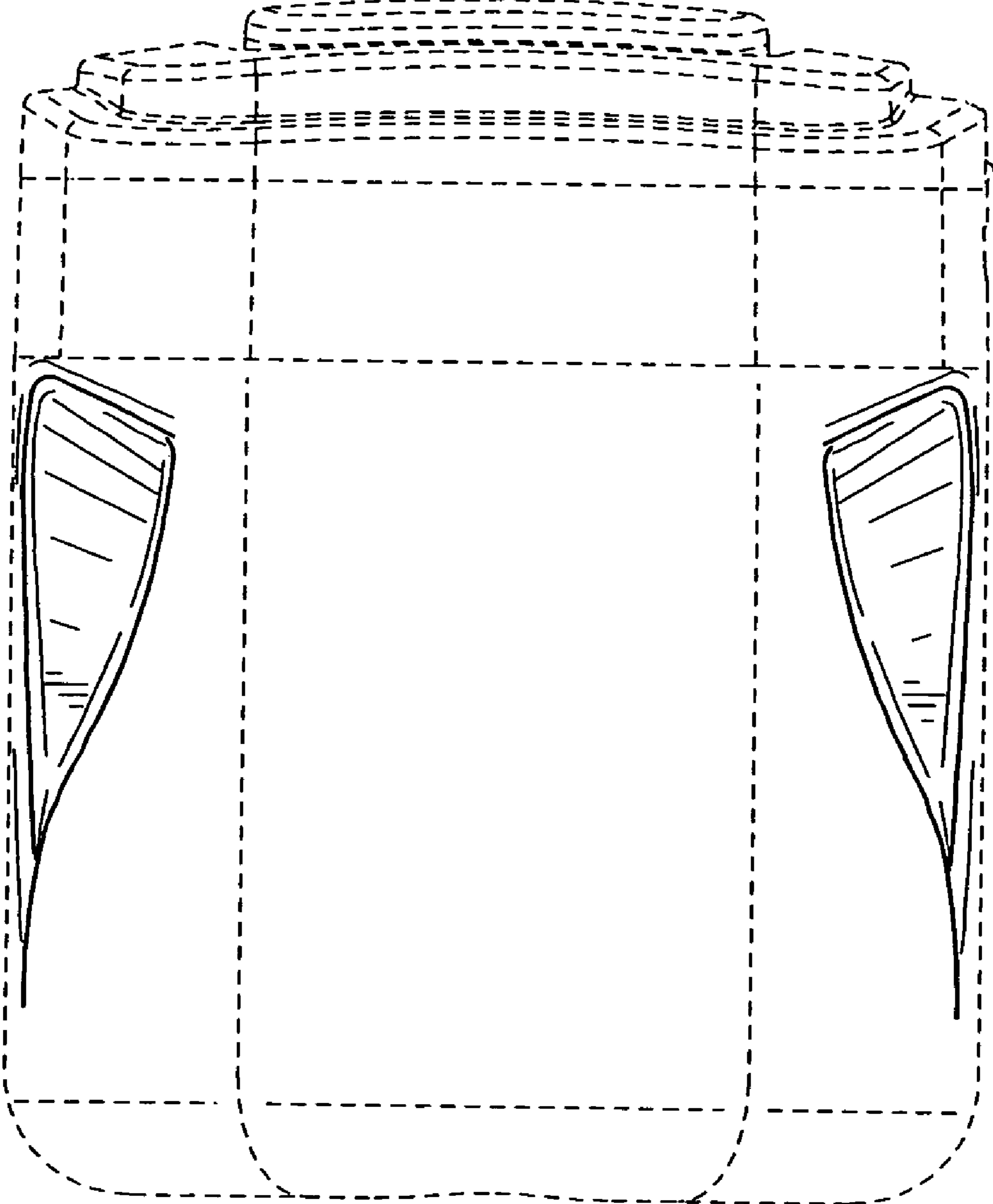


FIG. 4

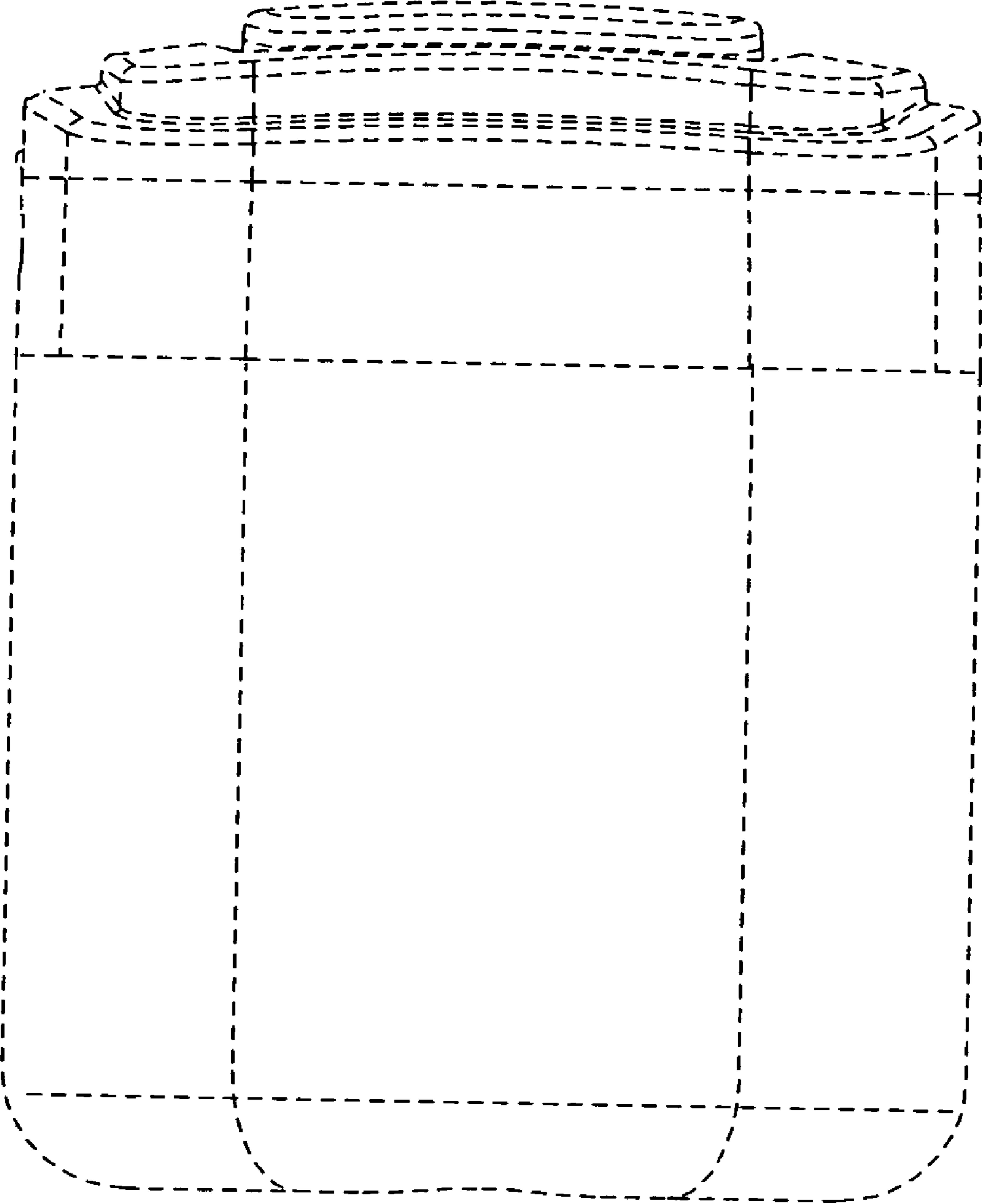


FIG. 5

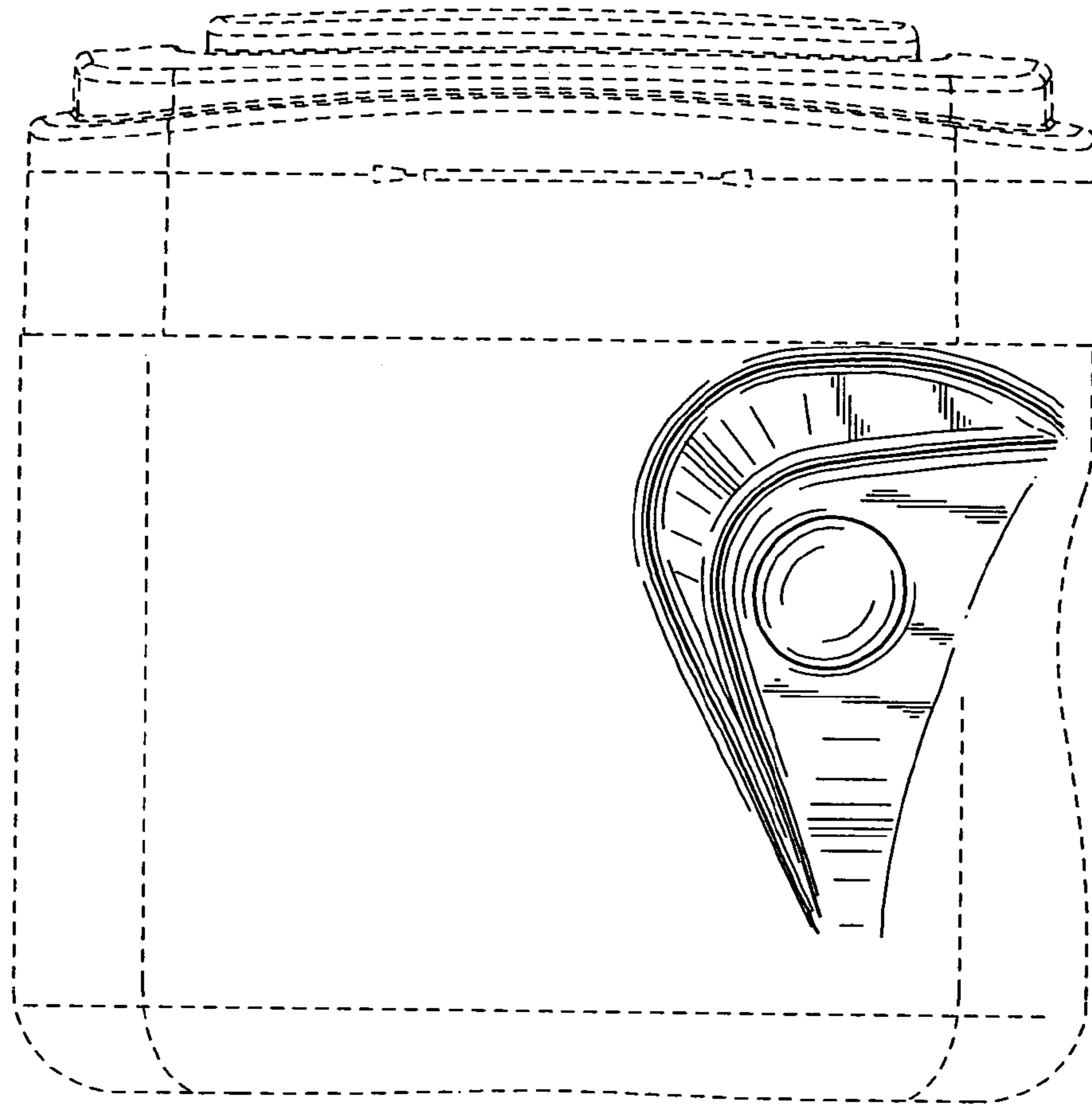


FIG. 6

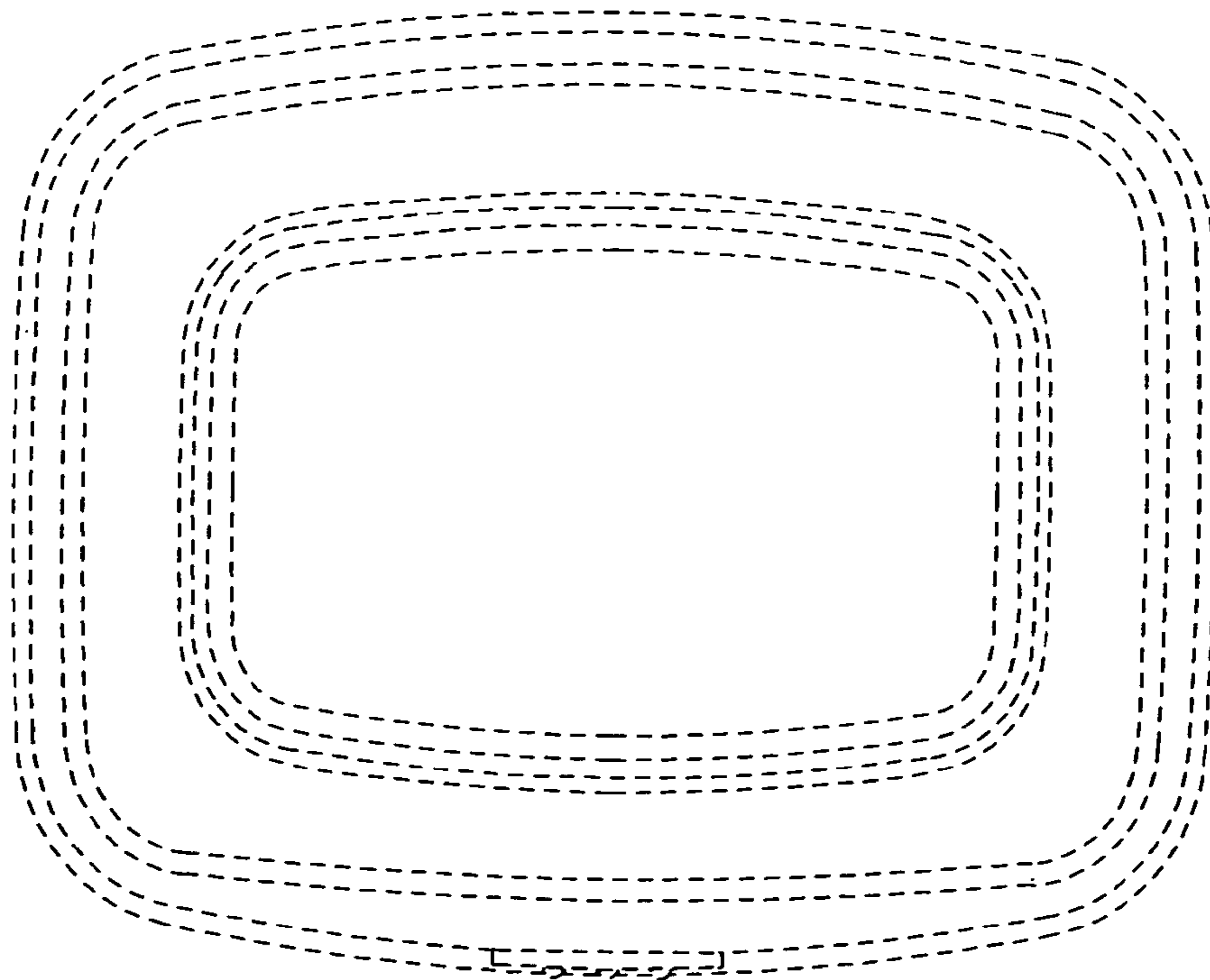


FIG. 7