



US00D553985S

(12) **United States Design Patent**
Berger

(10) **Patent No.:** **US D553,985 S**

(45) **Date of Patent:** **** Oct. 30, 2007**

(54) **PACKAGE INSERT**

(75) Inventor: **Barry David Berger**, New York, NY
(US)

(73) Assignee: **Ex-Cell Home Fashions, Inc.**, New
York, NY (US)

(**) Term: **14 Years**

(21) Appl. No.: **29/285,954**

(22) Filed: **Apr. 17, 2007**

Related U.S. Application Data

(62) Division of application No. 29/268,696, filed on Nov.
9, 2006, now Pat. No. Des. 545,193.

(51) **LOC (8) Cl.** **09-03**

(52) **U.S. Cl.** **D9/456**

(58) **Field of Classification Search** D9/701,
D9/457, 456, 434, 415, 414, 418, 419, 430,
D9/432, 433; D5/99, 7, 60, 58, 4, 12; 428/187;
273/292; 206/45.28, 449

See application file for complete search history.

(56) **References Cited**

U.S. PATENT DOCUMENTS

D79,888 S *	11/1929	MacMillan	D9/432
D133,720 S *	9/1942	Illges	D9/432
D135,294 S *	3/1943	Ost	D9/432
D216,871 S *	3/1970	Wyncote	D9/418
D259,472 S *	6/1981	Grodin	D9/432
D266,829 S *	11/1982	Yoshizawa et al.	D9/415
D279,263 S *	6/1985	Ujiie	D9/432
D357,861 S *	5/1995	Sawa et al.	D9/432
6,168,028 B1 *	1/2001	Telesca et al.	206/776

D486,733 S *	2/2004	Murning et al.	D9/432
D496,274 S *	9/2004	Egawa	D9/432
D525,864 S *	8/2006	Hiolin	D9/415

* cited by examiner

Primary Examiner—Gary D. Watson

Assistant Examiner—Susan Bennett Hattan

(74) *Attorney, Agent, or Firm*—Alston & Bird LLP

(57) **CLAIM**

I claim; the ornamental design for a package insert, sub-
stantially as shown and described.

DESCRIPTION

FIG. 1 is an isometric view showing the front and one side
of my invention;

FIG. 2 is an elevation view showing the front of my
invention;

FIG. 3 is an elevation view showing the rear of my inven-
tion;

FIG. 4 is an elevation view showing one side of my
invention;

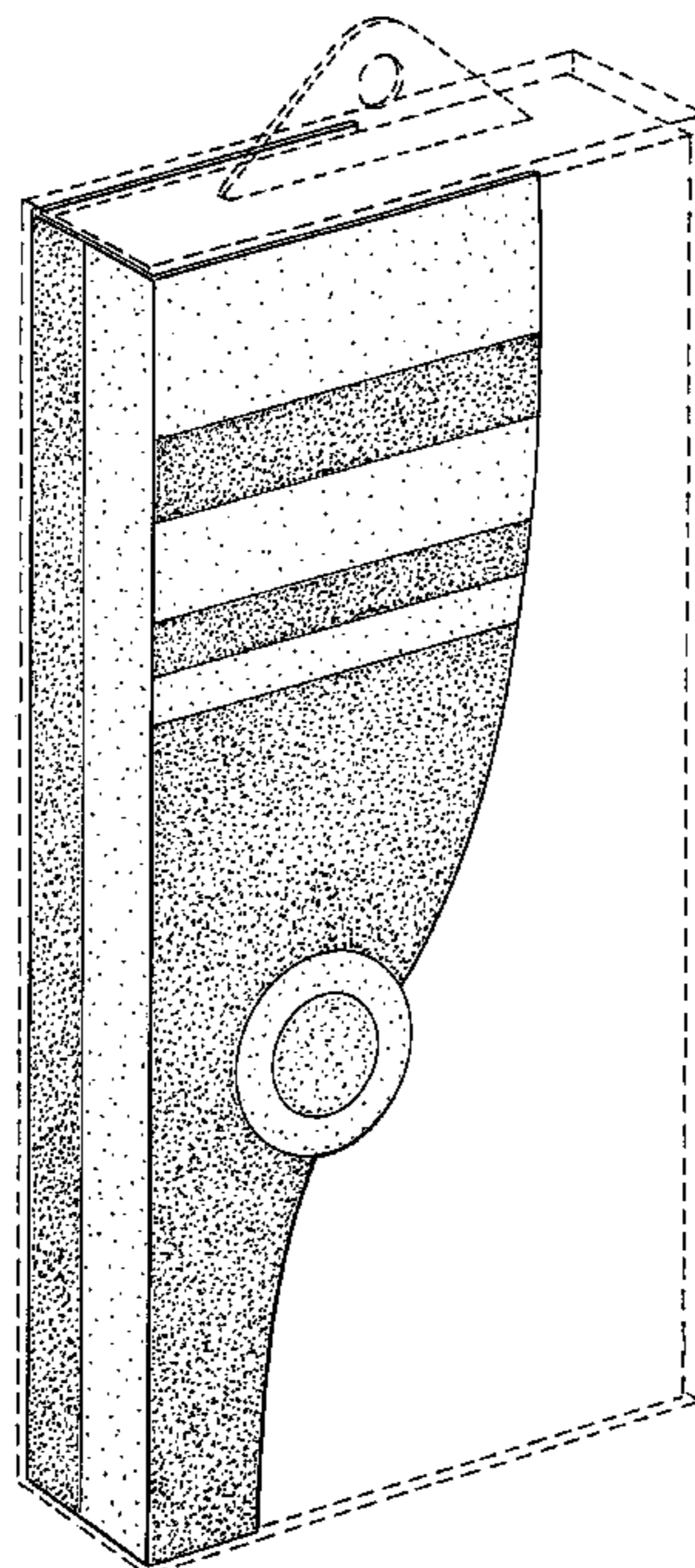
FIG. 5 is an elevation view showing the other side of my
invention;

FIG. 6 is an elevation view showing the top of my invention;
and,

FIG. 7 is an elevation view showing the bottom of my
invention.

The broken line showing of a package is included for the
purpose of illustrating the insert situated therein and forms
no part of the claimed design.

1 Claim, 4 Drawing Sheets



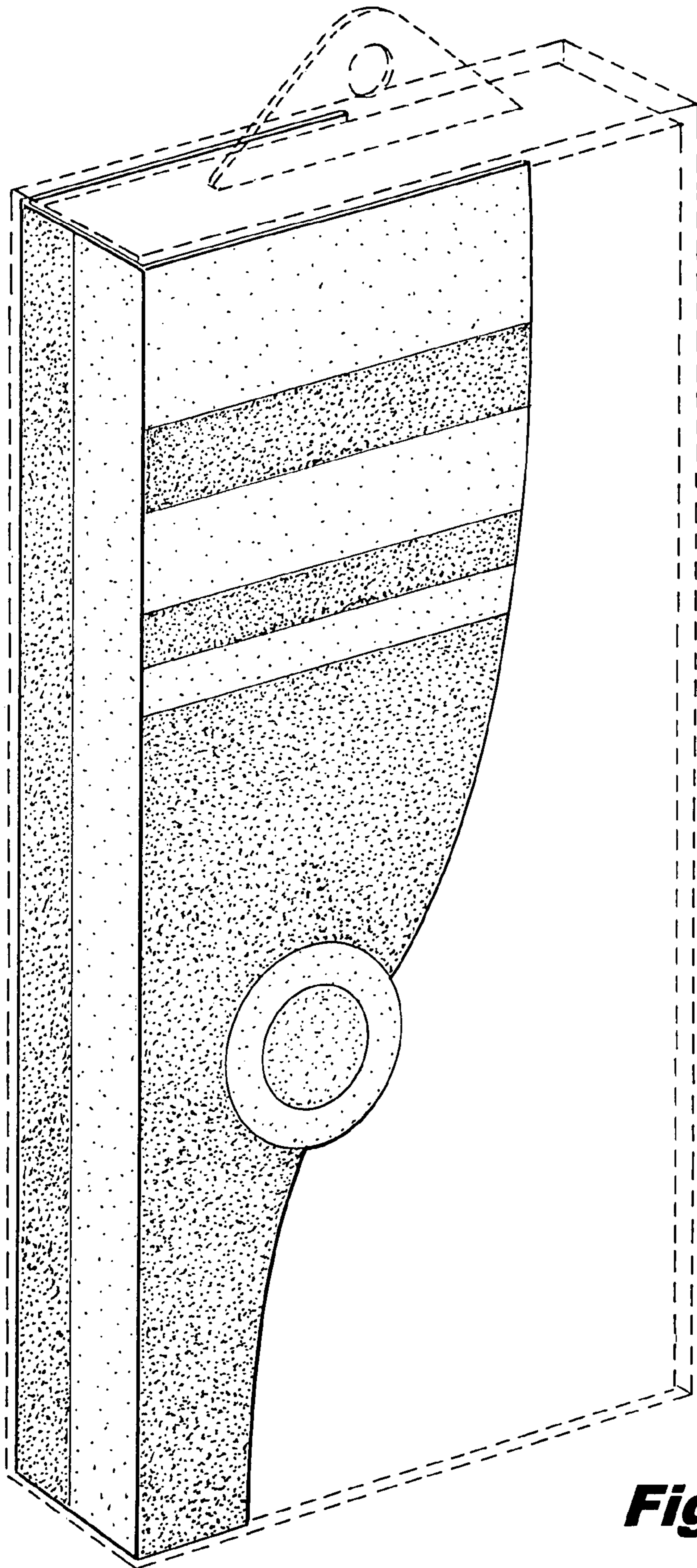


Fig. 1

Fig. 2

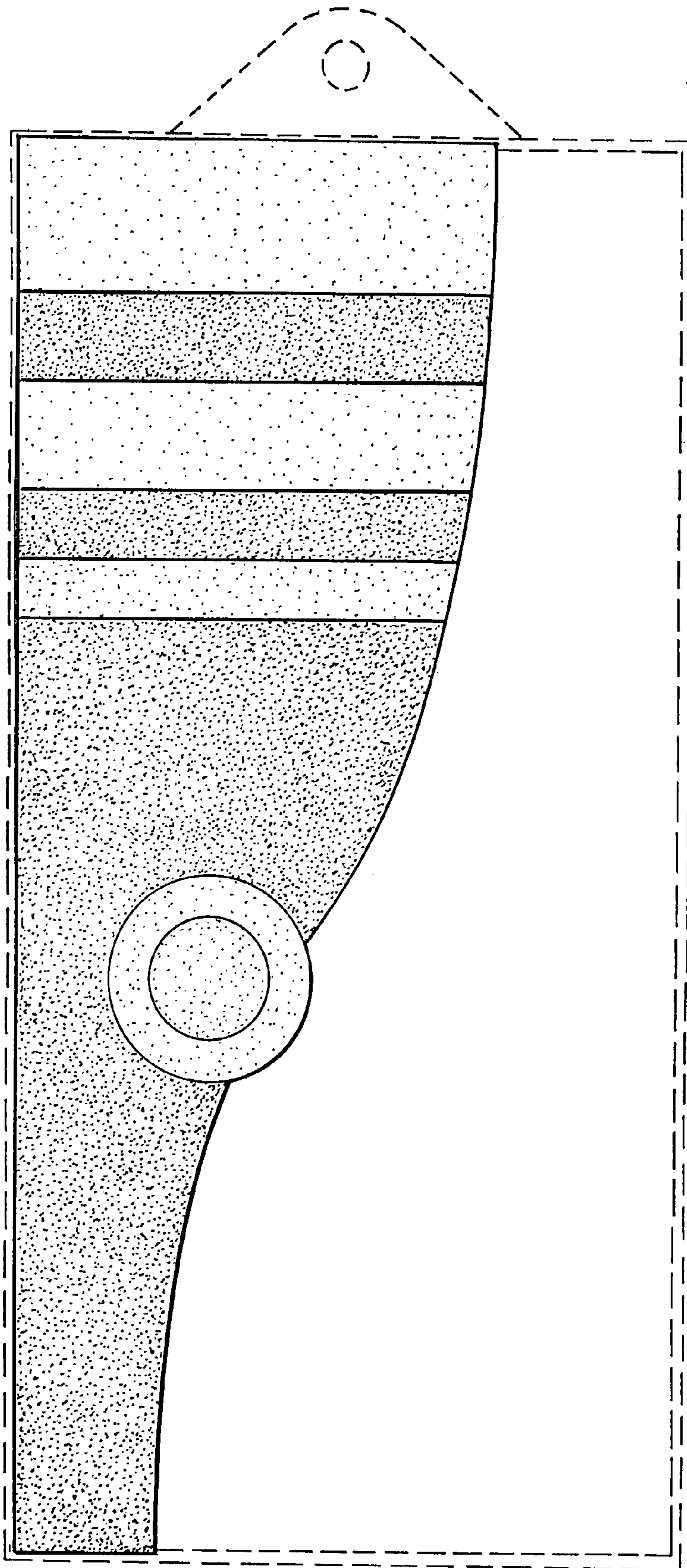


Fig. 3

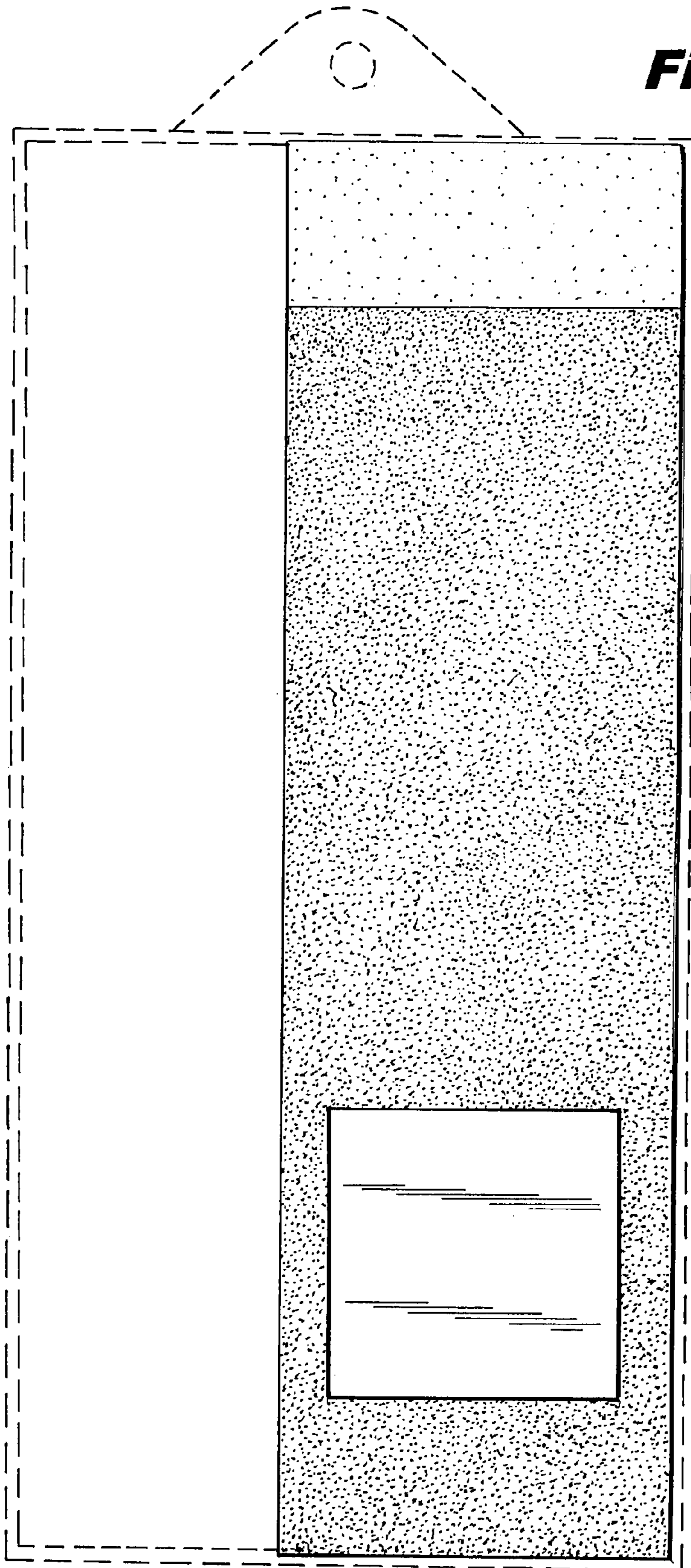


Fig. 4

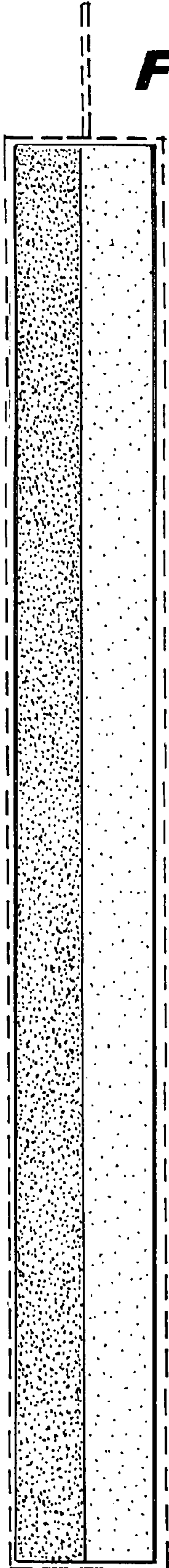


Fig. 5

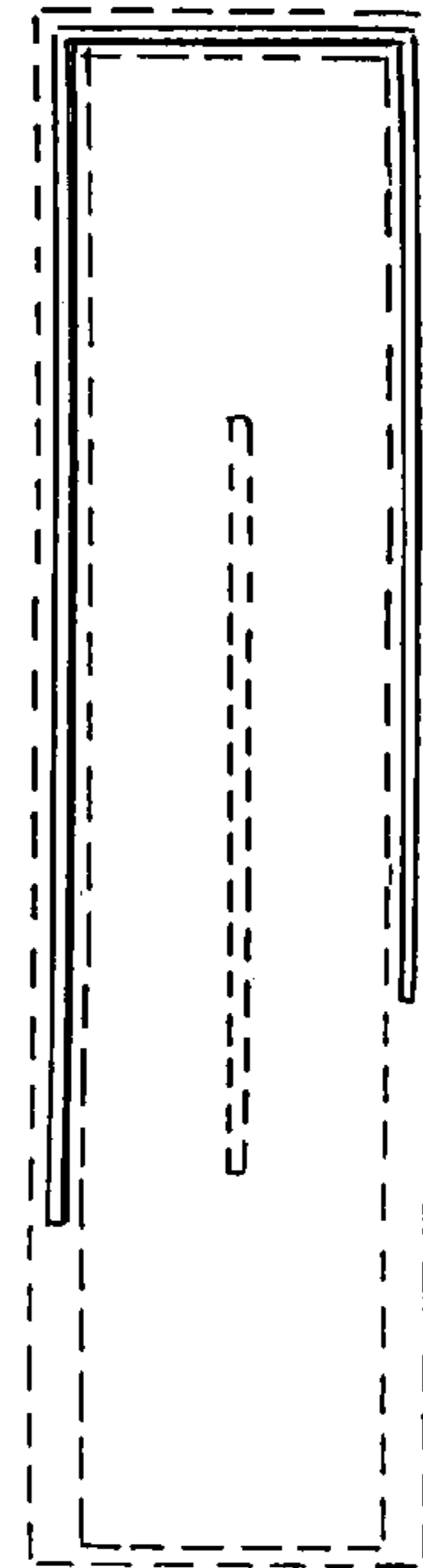
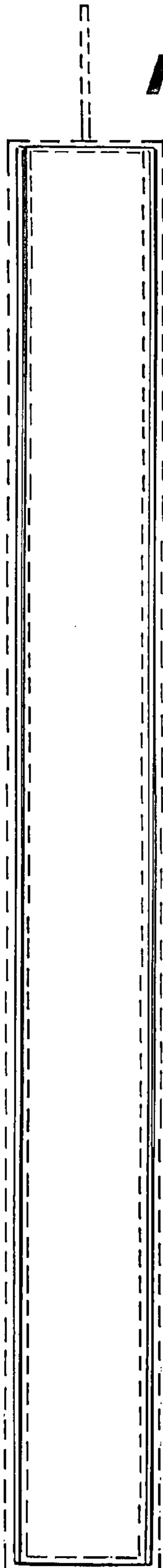


Fig. 6

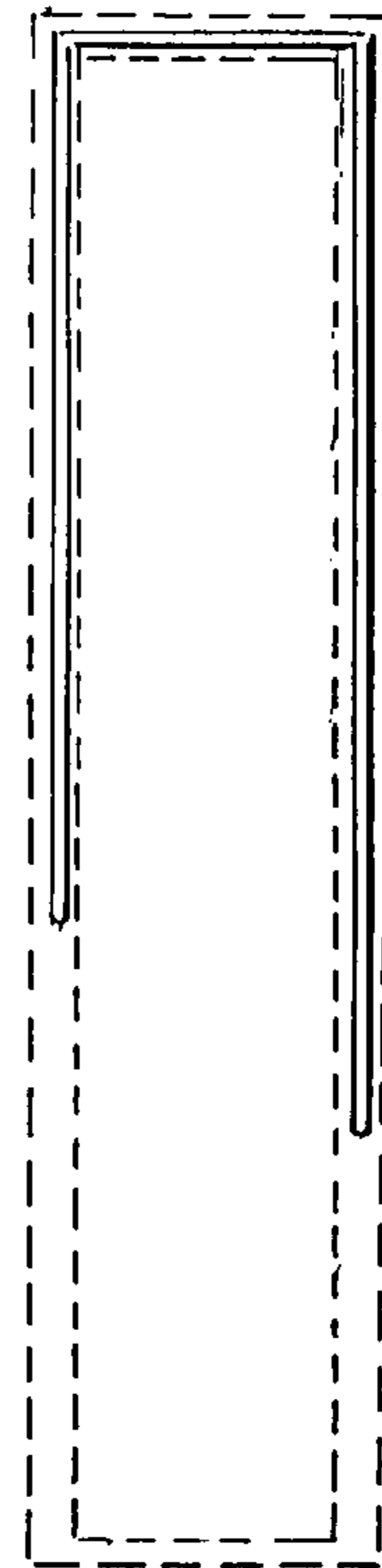


Fig. 7