



US00D553983S

(12) **United States Design Patent**  
**Bunce et al.**

(10) **Patent No.:** **US D553,983 S**

(45) **Date of Patent:** **\*\* Oct. 30, 2007**

(54) **CAP**  
  
(75) **Inventors:** **Martin Christopher Bunce**,  
Marlborough (GB); **William John**  
**Davis**, Marlborough (GB); **Carl**  
**Edward Fordham**, Marlborough (GB);  
**John David Lamb**, Bottlesford (GB);  
**Alexander James Peacop**,  
Marlborough (GB); **Zoe Iris Margaret**  
**Trevett**, Marlborough (GB)

D292,889 S \* 11/1987 Ostrowsky ..... D9/449  
D466,015 S \* 11/2002 Faucon ..... D9/435  
D477,225 S \* 7/2003 Pinnavaia ..... D9/454  
D505,327 S \* 5/2005 Bakic ..... D9/449  
D529,802 S \* 10/2006 Jelich et al. .... D9/449  
D534,426 S \* 1/2007 Bakic ..... D9/449  
D535,880 S \* 1/2007 Penfold et al. .... D9/454

(73) **Assignee:** **Conopco Inc.**, Englewood Cliffs, NJ  
(US)

(\*\*) **Term:** **14 Years**

(21) **Appl. No.:** **29/261,378**

(22) **Filed:** **Jun. 13, 2006**

(30) **Foreign Application Priority Data**  
Dec. 14, 2005 (EM) ..... 000447362-0003

(51) **LOC (8) Cl.** ..... **09-07**  
(52) **U.S. Cl.** ..... **D9/454; D9/447**  
(58) **Field of Classification Search** ..... D9/529,  
D9/504, 454, 452, 451, 445, 439, 438, 435,  
D9/449, 447; D24/224, 221; 220/288, 214;  
215/901, 252  
See application file for complete search history.

(56) **References Cited**  
**U.S. PATENT DOCUMENTS**

D276,597 S \* 12/1984 Harris ..... D9/435

**OTHER PUBLICATIONS**

U.S. Appl. No. 29/261,377 Bunce et al.  
U.S. Appl. No. 29/261,384 Bunce et al.

\* cited by examiner

*Primary Examiner*—Robert M. Spear  
*Assistant Examiner*—Susan Bennett Hattan  
(74) *Attorney, Agent, or Firm*—Milton L. Honig

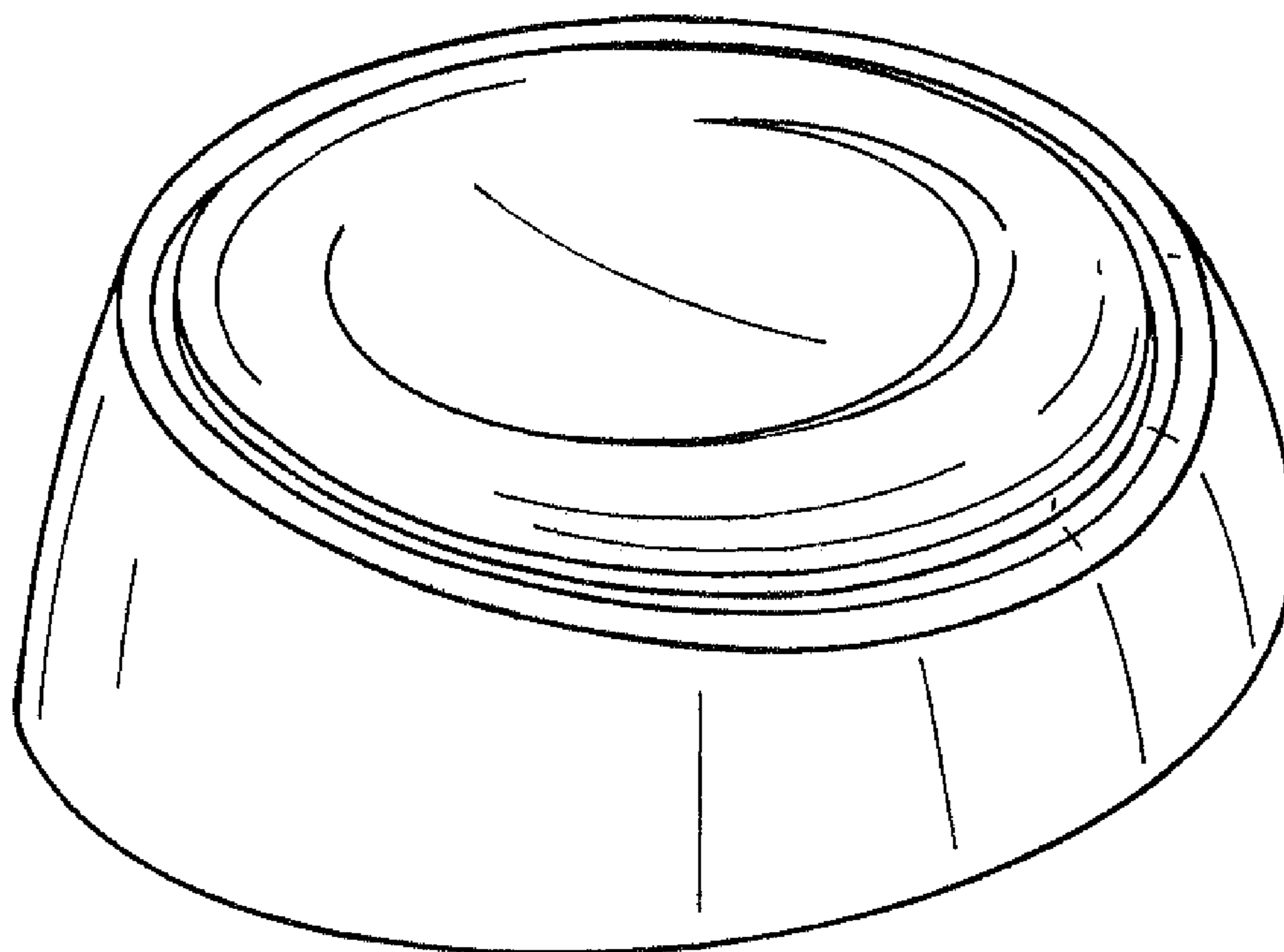
(57) **CLAIM**

The ornamental design for a cap, as shown and described.

**DESCRIPTION**

FIG. 1 is a perspective view from above and one side of a design for our cap;  
FIG. 2 is a front elevational view of a design for our cap;  
FIG. 3 is a rear elevational view of a design for our cap;  
FIG. 4 is a top plan view of a design for our cap;  
FIG. 5 is a view of the side of a design for our cap; and,  
FIG. 6 is a view of the other side of a design for our cap.

**1 Claim, 2 Drawing Sheets**



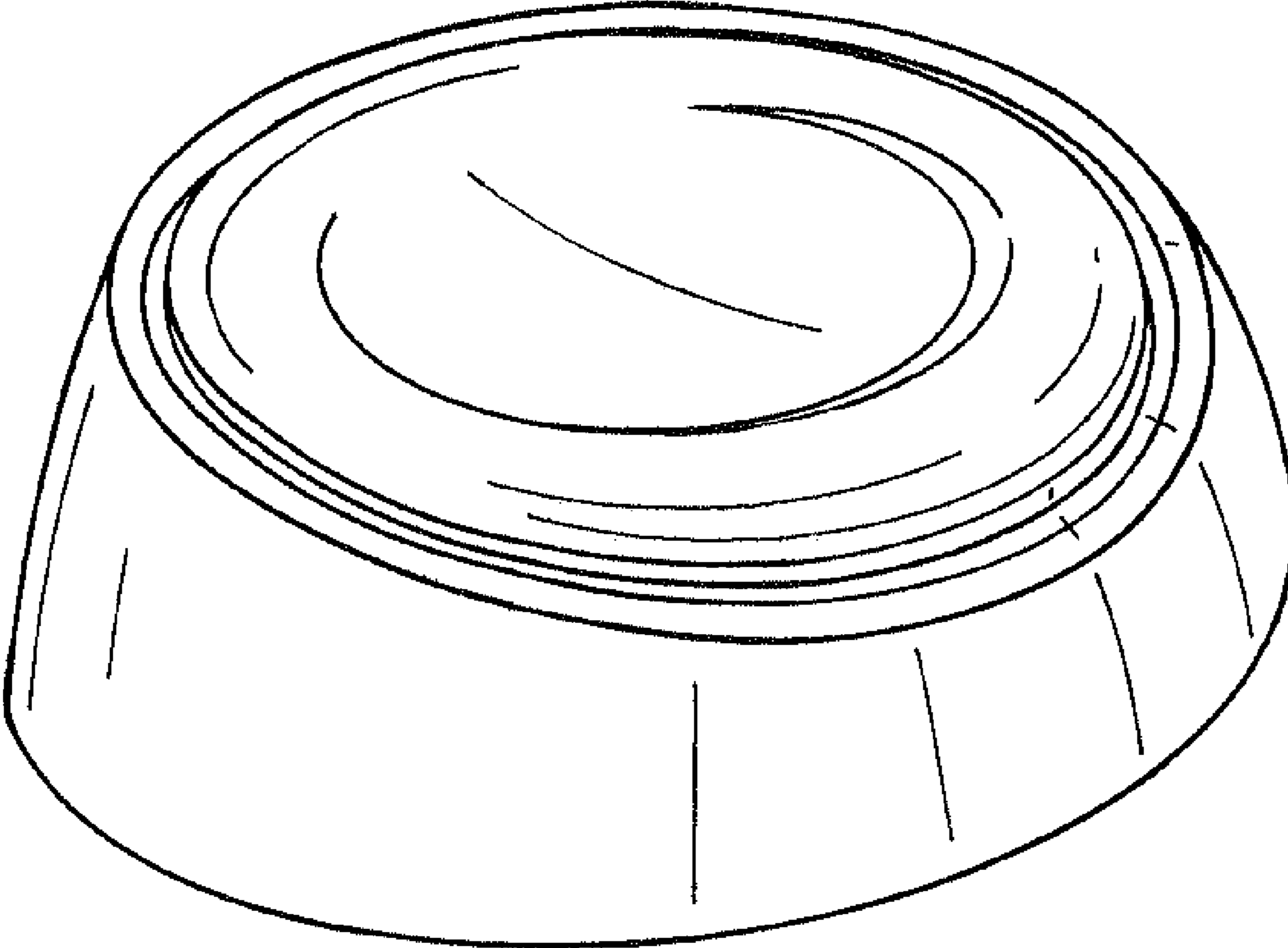


Fig. 1.

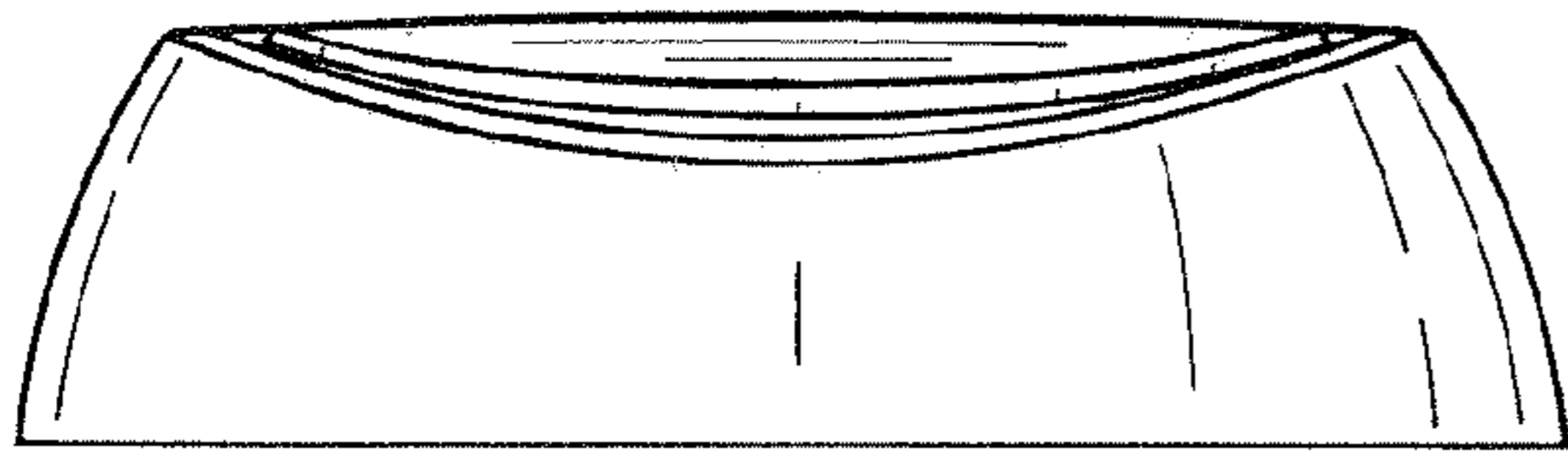


Fig.2.

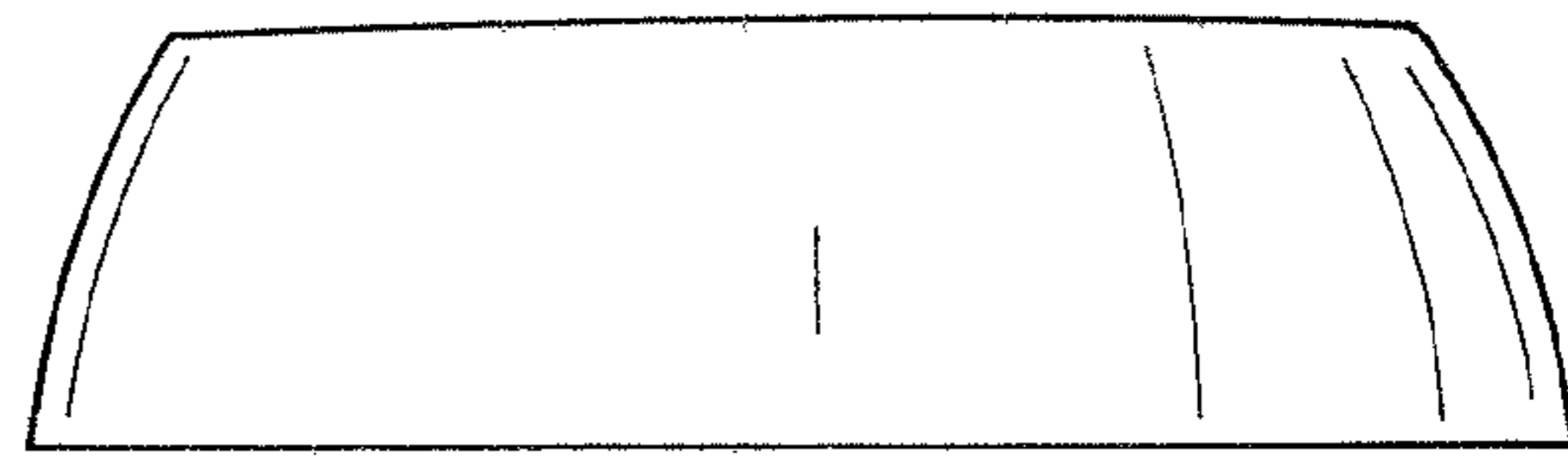


Fig.3.

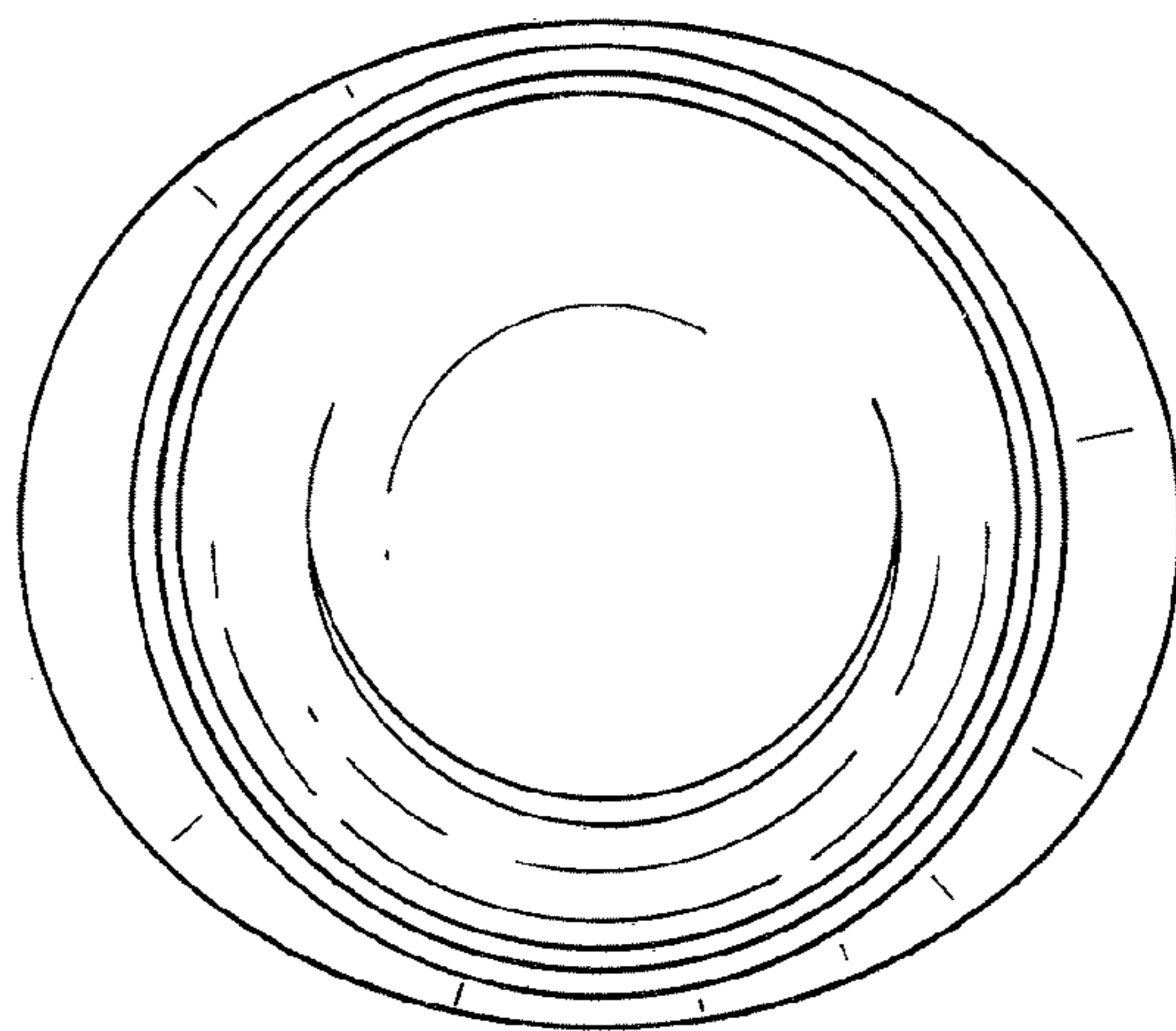


Fig.4.

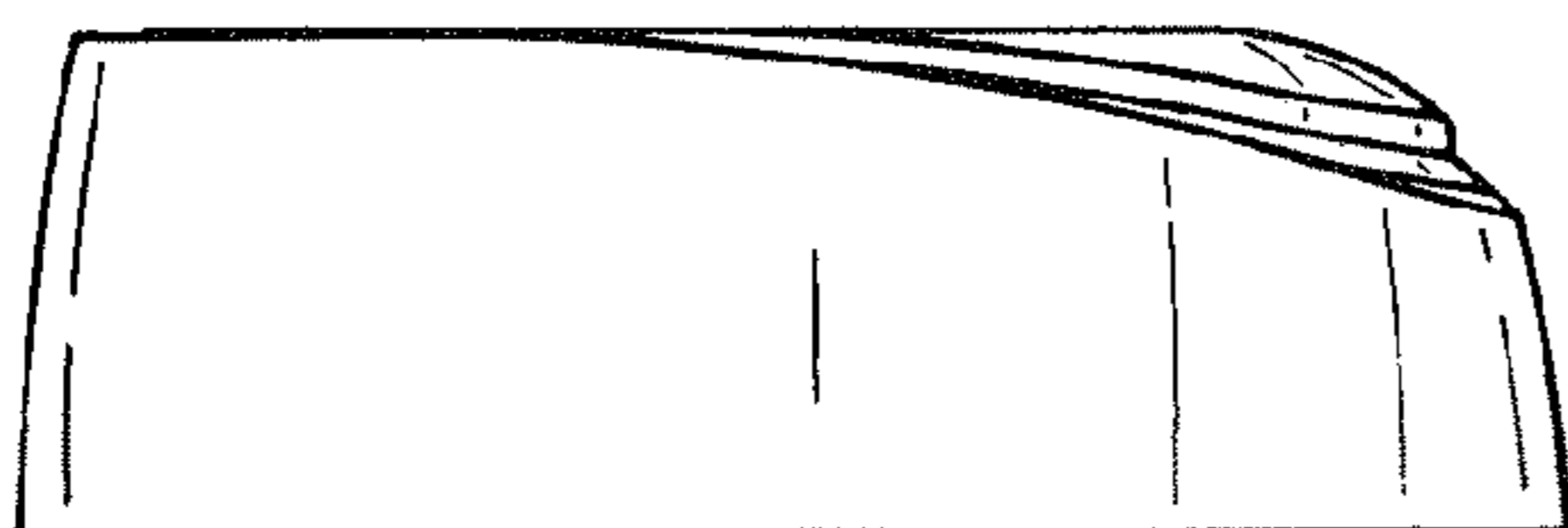


Fig.5.

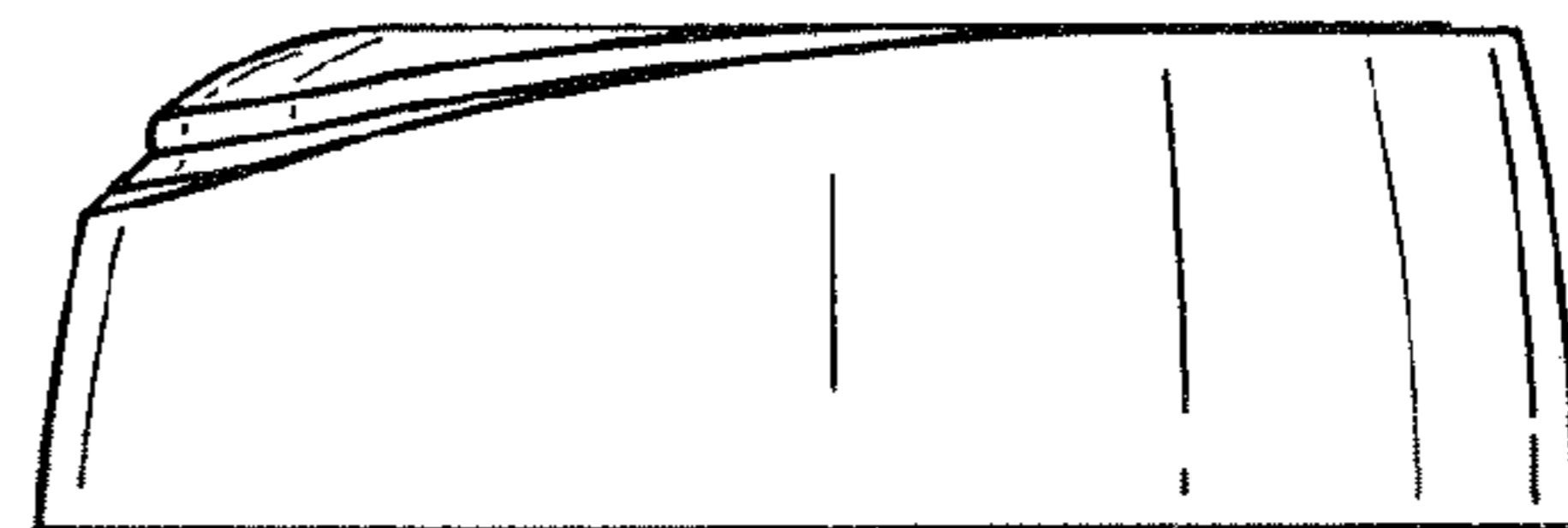


Fig.6.

UNITED STATES PATENT AND TRADEMARK OFFICE  
**CERTIFICATE OF CORRECTION**

PATENT NO. : Des. 553,983 S  
APPLICATION NO. : 29/261378  
DATED : October 30, 2007  
INVENTOR(S) : Bunce et al.

Page 1 of 1

It is certified that error appears in the above-identified patent and that said Letters Patent is hereby corrected as shown below:

On Title Page in the Assignee item 73 wherein "Conopco, Inc., Englewood Cliffs, NJ" should have read -- Conopco, Inc. d/b/a Unilever, Englewood Cliffs, NJ --.

Signed and Sealed this

Eighteenth Day of December, 2007

A handwritten signature in black ink on a light gray dotted background. The signature reads "Jon W. Dudas" in a cursive style.

JON W. DUDAS

*Director of the United States Patent and Trademark Office*