



US00D553982S

(12) **United States Design Patent**
Erb

(10) **Patent No.:** **US D553,982 S**

(45) **Date of Patent:** **** Oct. 30, 2007**

(54) **PLUG AND TAP ASSEMBLY**

(75) Inventor: **René Erb**, Phalsbourg (FR)

(73) Assignee: **Flextainer S.A.**, Schalbach (FR)

(**) Term: **14 Years**

(21) Appl. No.: **29/226,241**

(22) Filed: **Mar. 28, 2005**

(51) **LOC (8) Cl.** **09-07**

(52) **U.S. Cl.** **D9/447**

(58) **Field of Classification Search** D9/718,
D9/715, 547, 545, 544, 454, 447, 440, 439,
D9/436, 435, 434; D7/398, 397, 387, 313,
D7/312, 305, 300; D23/249, 246, 233; D10/60,
D10/52, 49, 122; 215/355-364; 222/630-633,
222/145.1-145.8

See application file for complete search history.

(56) **References Cited**

U.S. PATENT DOCUMENTS

D183,778 S * 10/1958 Wentz D7/313
4,693,400 A 9/1987 Frahm et al.
5,178,303 A * 1/1993 Blenkush et al. 222/153.14
5,553,745 A 9/1996 McMillian

D378,055 S * 2/1997 Waldon et al. D7/313
6,045,119 A 4/2000 Erb
6,296,157 B1 10/2001 Erb
6,742,680 B2 * 6/2004 Friedman 222/509
D502,360 S * 3/2005 Kautz D7/392
6,896,158 B2 * 5/2005 Leray et al. 222/145.1

* cited by examiner

Primary Examiner—Robert M. Spear

Assistant Examiner—Susan Bennett Hattan

(74) *Attorney, Agent, or Firm*—Young & Thompson

(57) **CLAIM**

The ornamental design for a plug and tap assembly, as shown and described.

DESCRIPTION

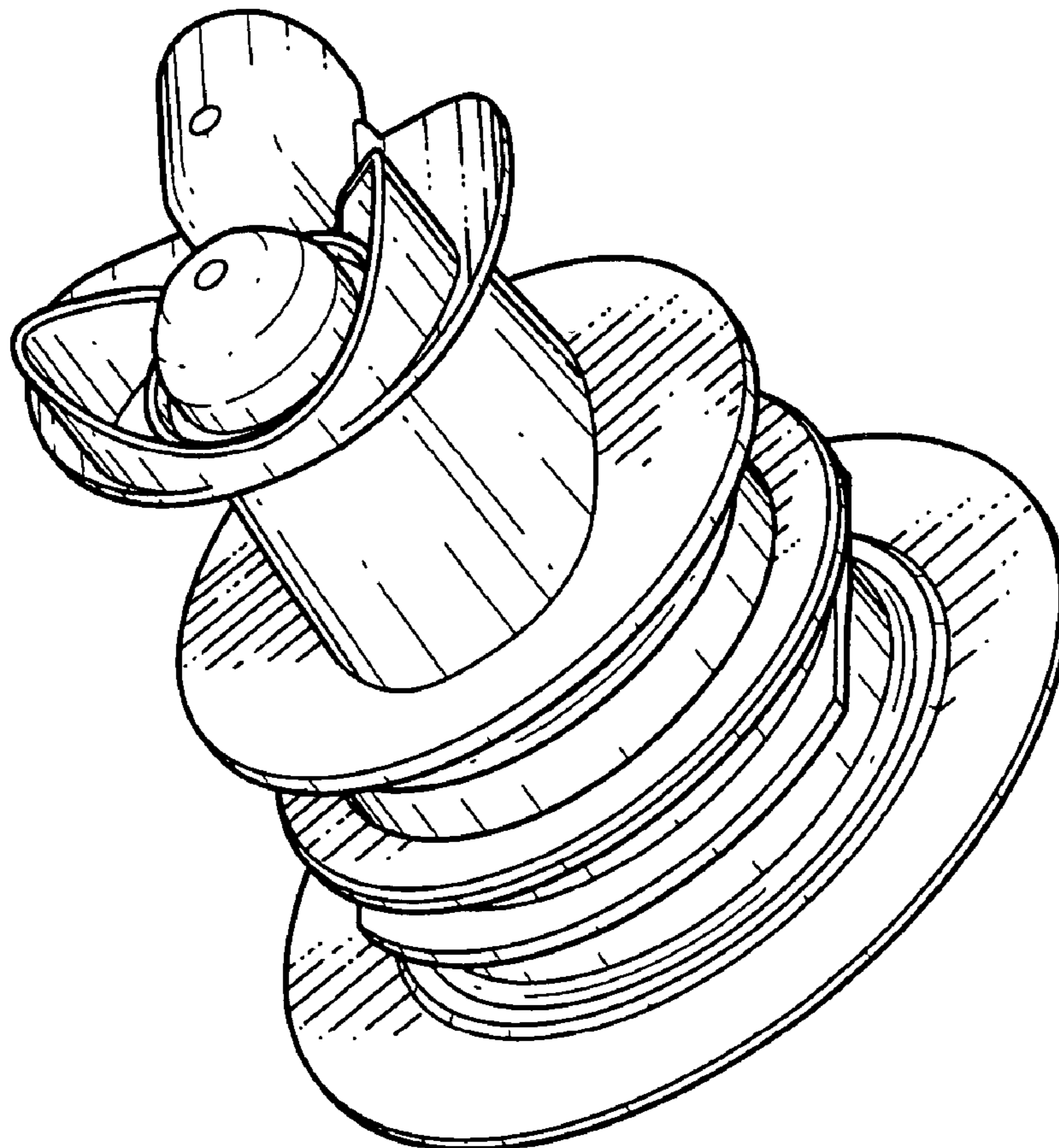
FIG. 1 is a perspective view of a plug and tap assembly showing my new design;

FIG. 2 is a further perspective view thereof;

FIG. 3 is a further side perspective view thereof; and,

FIG. 4 is a side perspective view thereof from the left of FIG. 2, the side perspective view from the right of FIG. 2 being the mirror image thereof.

1 Claim, 2 Drawing Sheets



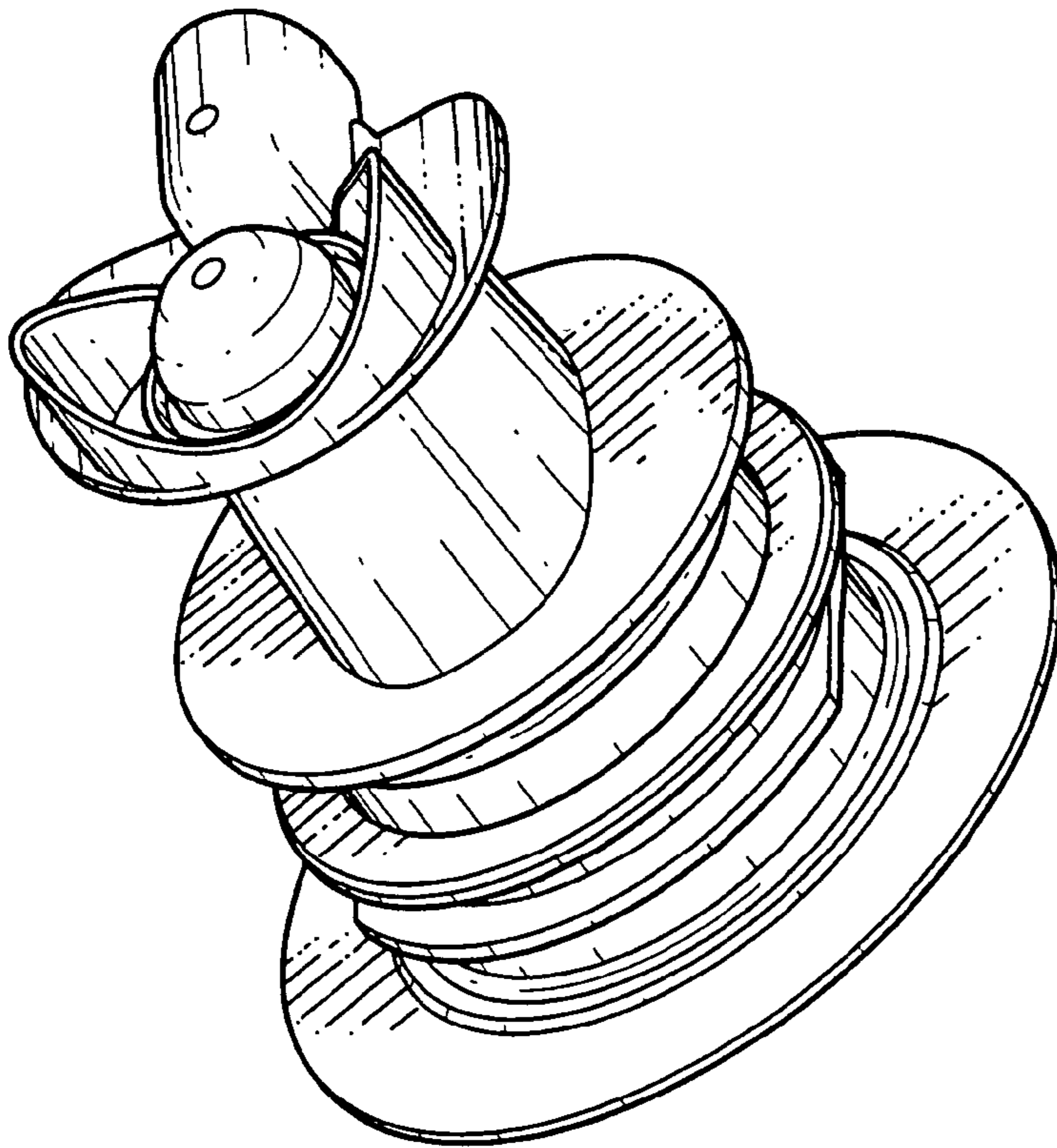


FIG. 1

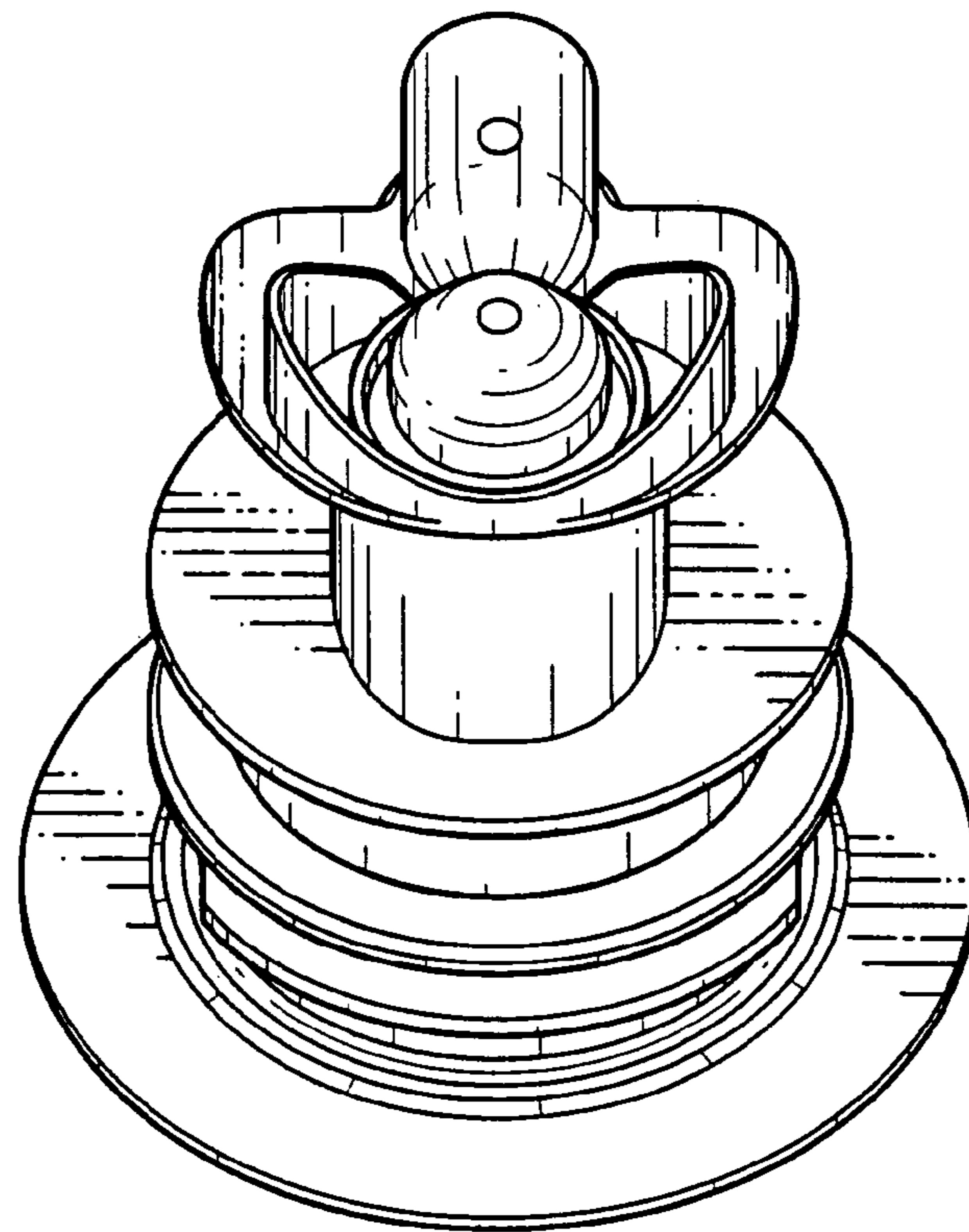


FIG. 2

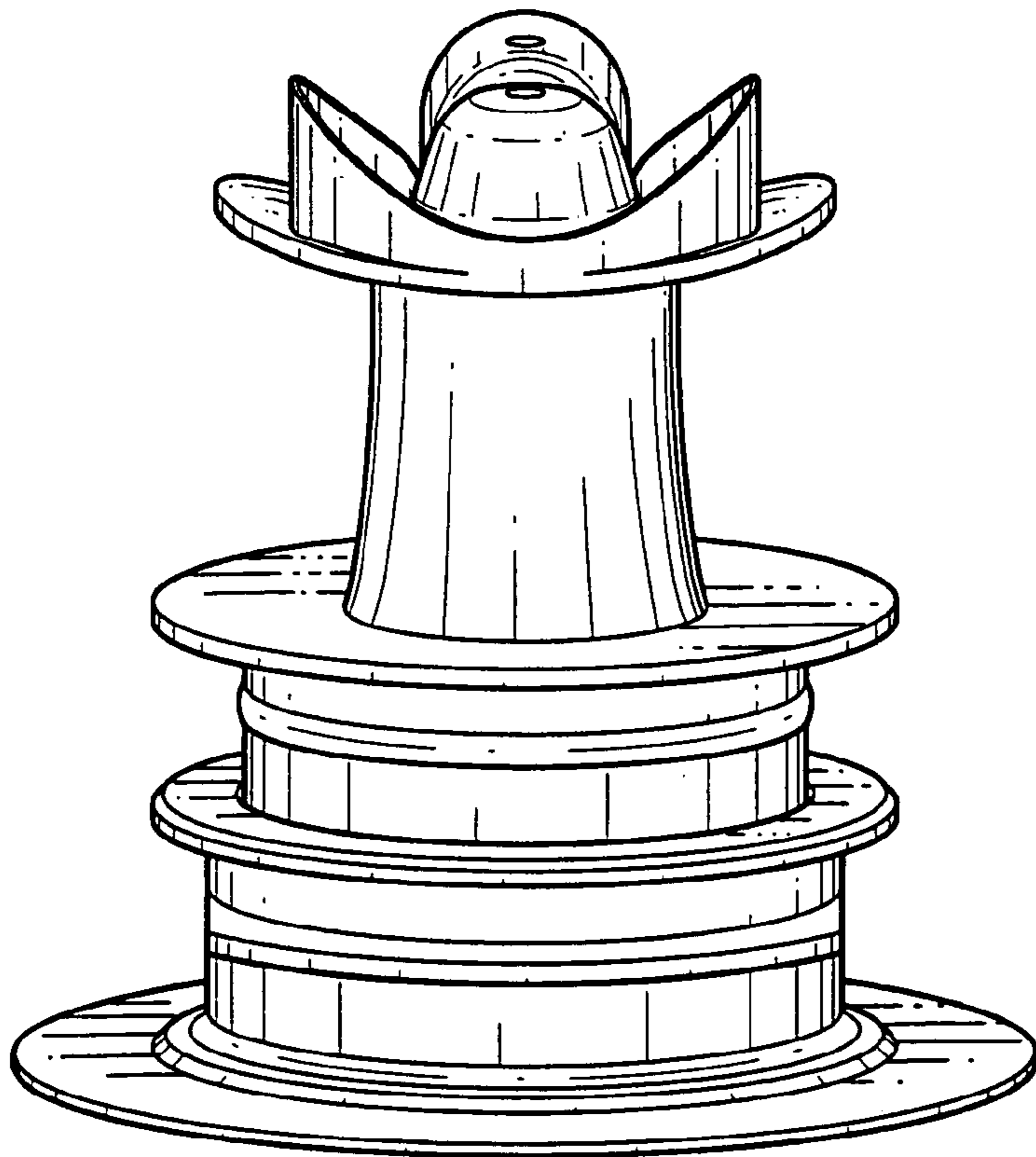


FIG. 3

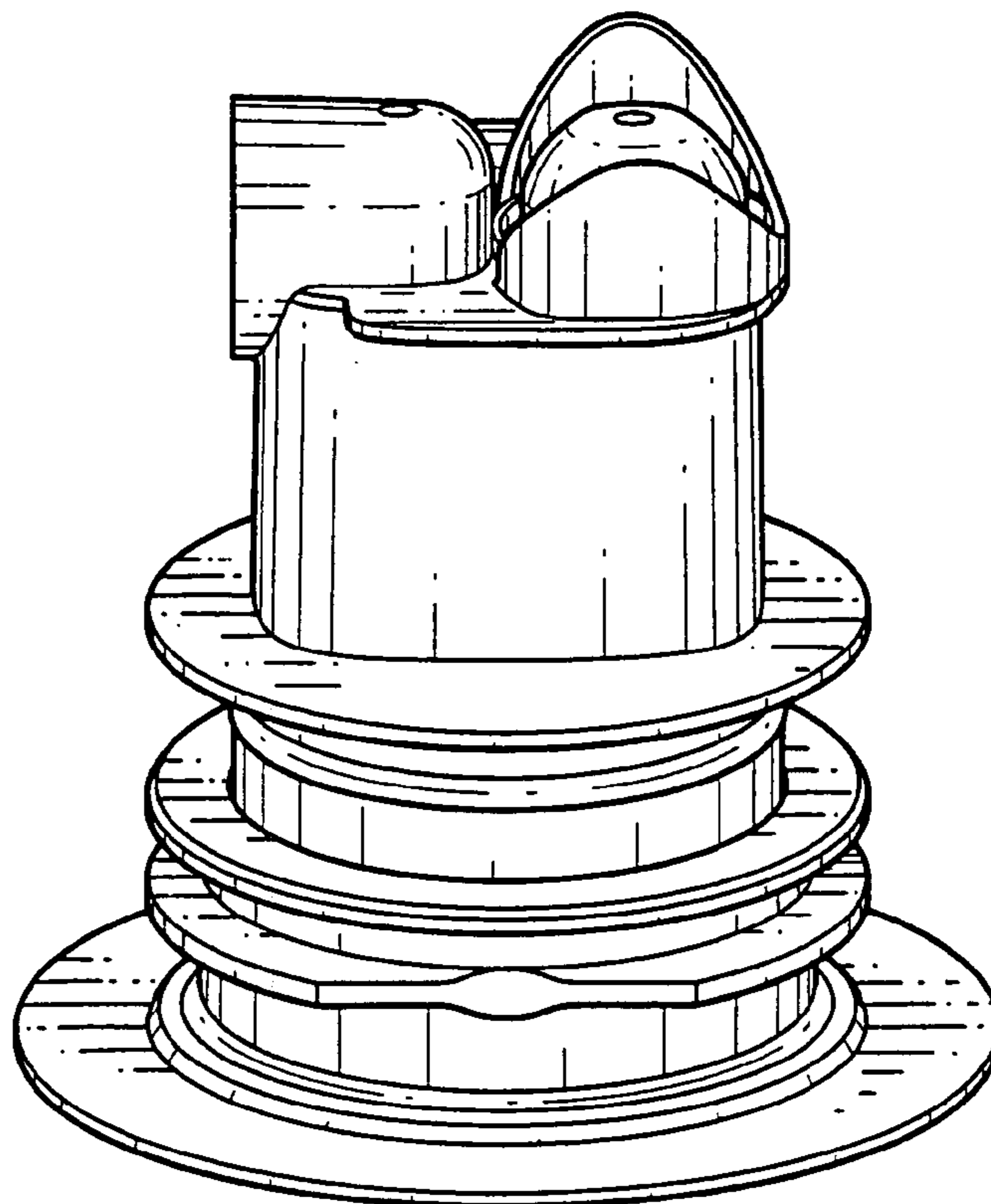


FIG. 4