



US00D553981S

(12) **United States Design Patent** (10) **Patent No.:** **US D553,981 S**  
**Harre et al.** (45) **Date of Patent:** **\*\* Oct. 30, 2007**

(54) **END CAP FOR A PACKAGE WITH FLEXIBLE WALLS**

D475,397 S \* 6/2003 Harris et al. .... D18/43  
6,631,829 B1 10/2003 Wagner et al.  
D505,540 S \* 5/2005 Lien ..... D3/202

(75) Inventors: **Manfred Harre**, Landsberg am Lech (DE); **Thomas Klaus Mueller**, Munich (DE)

FOREIGN PATENT DOCUMENTS

EM 000018031-0001 10/2003  
EM 000018031-0002 10/2003

(73) Assignee: **3M Innovative Properties Company**, St. Paul, MN (US)

(Continued)

(\*\*) Term: **14 Years**

*Primary Examiner*—Robert M. Spear  
*Assistant Examiner*—Susan Bennett Hattan  
(74) *Attorney, Agent, or Firm*—Peter L. Olson

(21) Appl. No.: **29/237,035**

(22) Filed: **Aug. 25, 2005**

(57) **CLAIM**

The ornamental design for an end cap for a package with flexible walls, as shown and described.

(30) **Foreign Application Priority Data**

Feb. 28, 2005 (EM) ..... 000301775-0001  
Feb. 28, 2005 (EM) ..... 000301775-0002  
Feb. 28, 2005 (EM) ..... 000301775-0003  
Feb. 28, 2005 (EM) ..... 000301775-0004  
Feb. 28, 2005 (EM) ..... 000301775-0005

**DESCRIPTION**

FIG. 1 is a perspective view of the end cap, showing the new design. As shown, the end cap is oriented to show the front side of the end cap;

(51) **LOC (8) Cl.** ..... **09-07**

(52) **U.S. Cl.** ..... **D9/435**

(58) **Field of Classification Search** ..... D9/708,  
D9/705, 558, 520, 499, 447, 445, 440, 439,  
D9/435; D18/43; 222/95, 92, 88, 23, 105;  
215/41, 40, 381, 375, 373; D3/202; D7/387,  
D7/397, 412, 415

FIG. 2 is a plan view of the front side of the end cap;

FIG. 3 is plan view of the back side of the end cap;

FIG. 4 is a side elevational view of the end cap (as viewed from the right side of FIG. 1);

FIG. 5 is a side elevational view of the end cap (as viewed from the left side of FIG. 1);

See application file for complete search history.

FIG. 6 is an elevational view of the top of the end cap (as viewed from above FIG. 1); and,

FIG. 7 is an elevational view of the bottom of the end cap (as viewed from below FIG. 1).

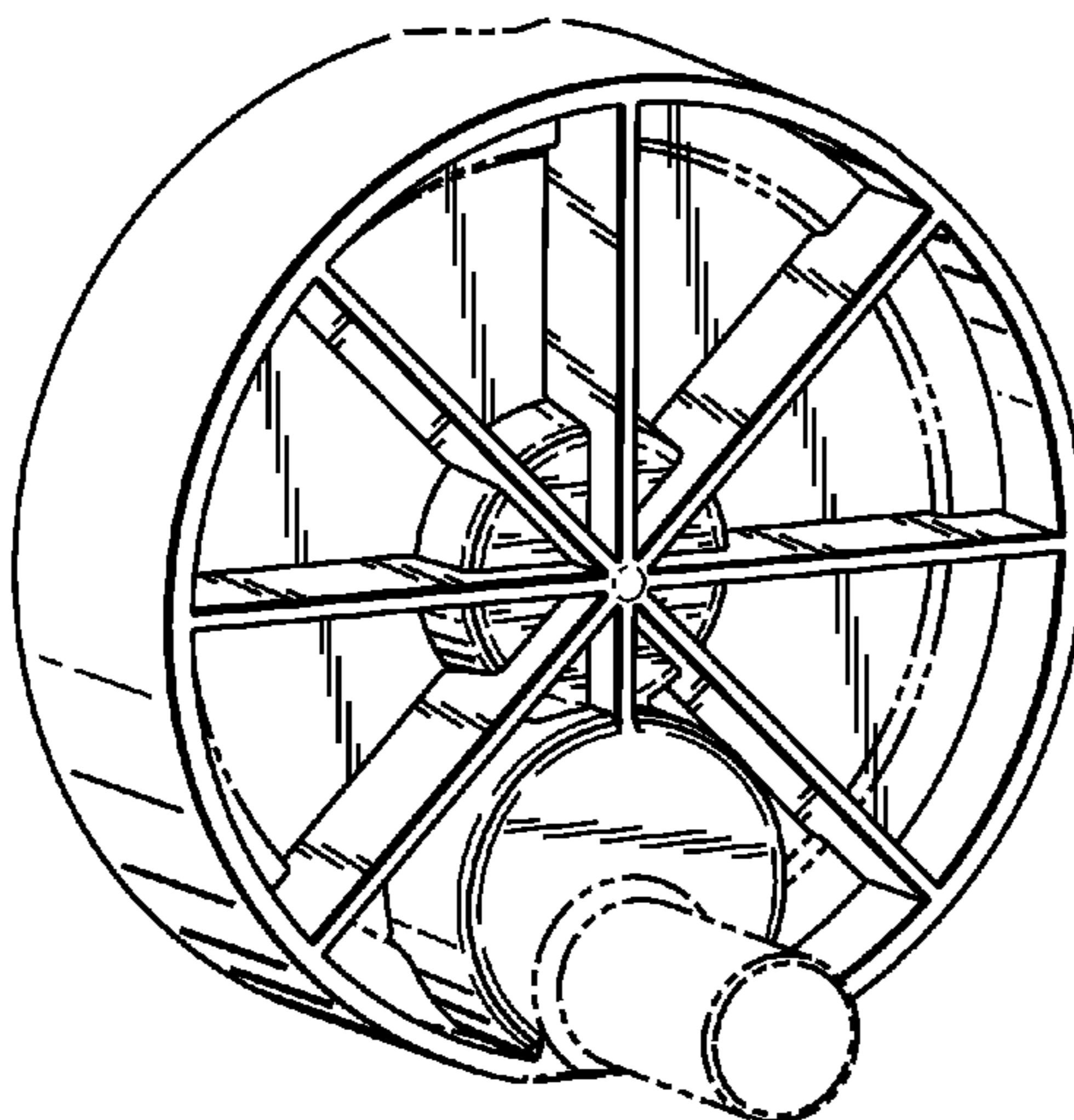
(56) **References Cited**

U.S. PATENT DOCUMENTS

4,818,114 A \* 4/1989 Ghavi ..... 366/130  
5,332,122 A 7/1994 Herold et al.  
5,419,460 A 5/1995 Herold et al.  
5,501,368 A 3/1996 Brandhorst et al.  
D374,150 S \* 10/1996 Lillelund et al. .... D7/387  
5,653,360 A 8/1997 Brandhorst et al.  
6,012,610 A 1/2000 Pauser et al.  
D432,916 S \* 10/2000 Drinkwater et al. .... D9/447

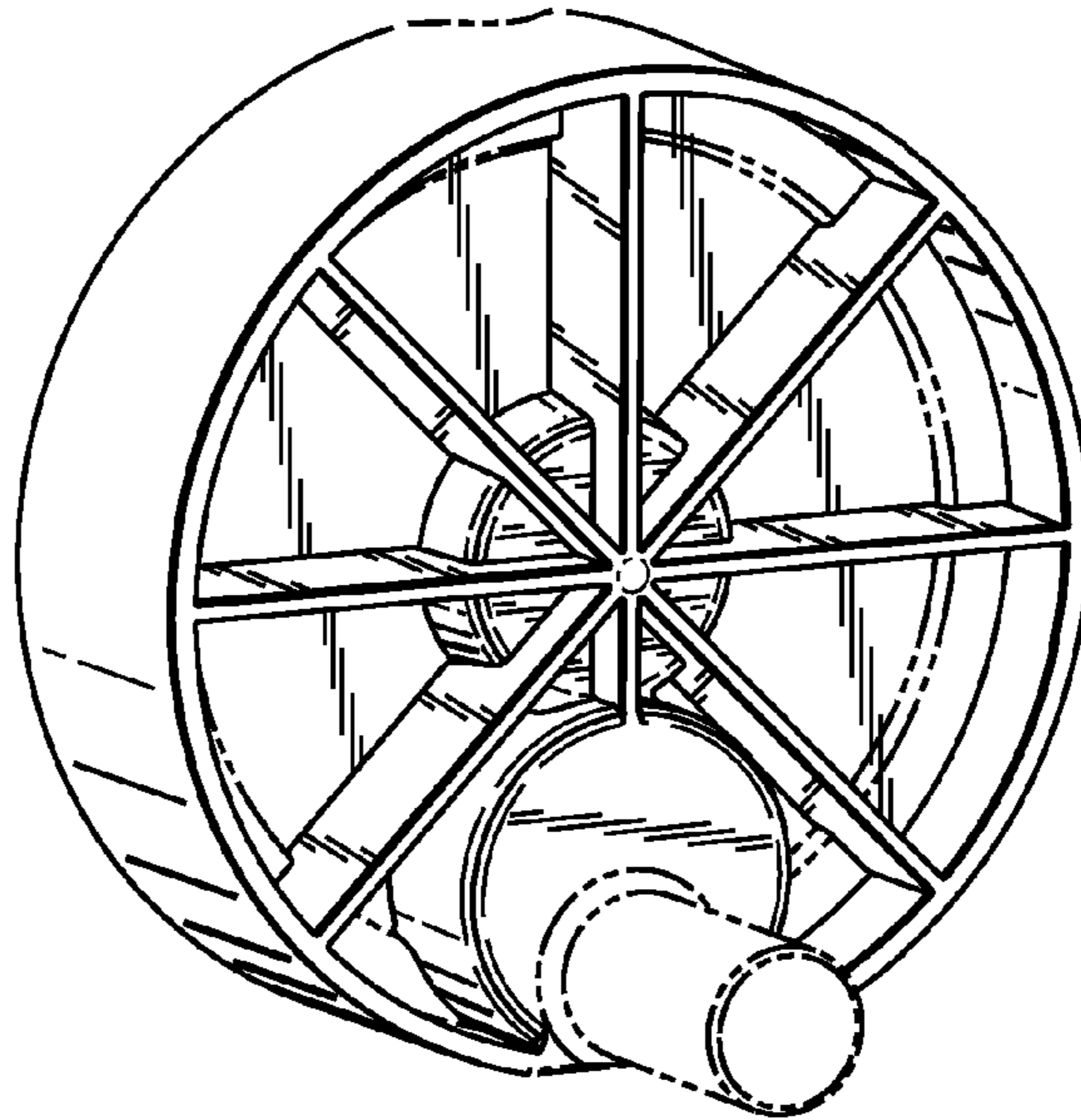
The broken lines in the drawings are shown for illustrative purposes only and form no part of the claimed design. In addition, the surface shading illustrated in the drawings is provided merely to highlight the contour of design; it is not intended to be illustrative of texture or gloss.

**1 Claim, 2 Drawing Sheets**

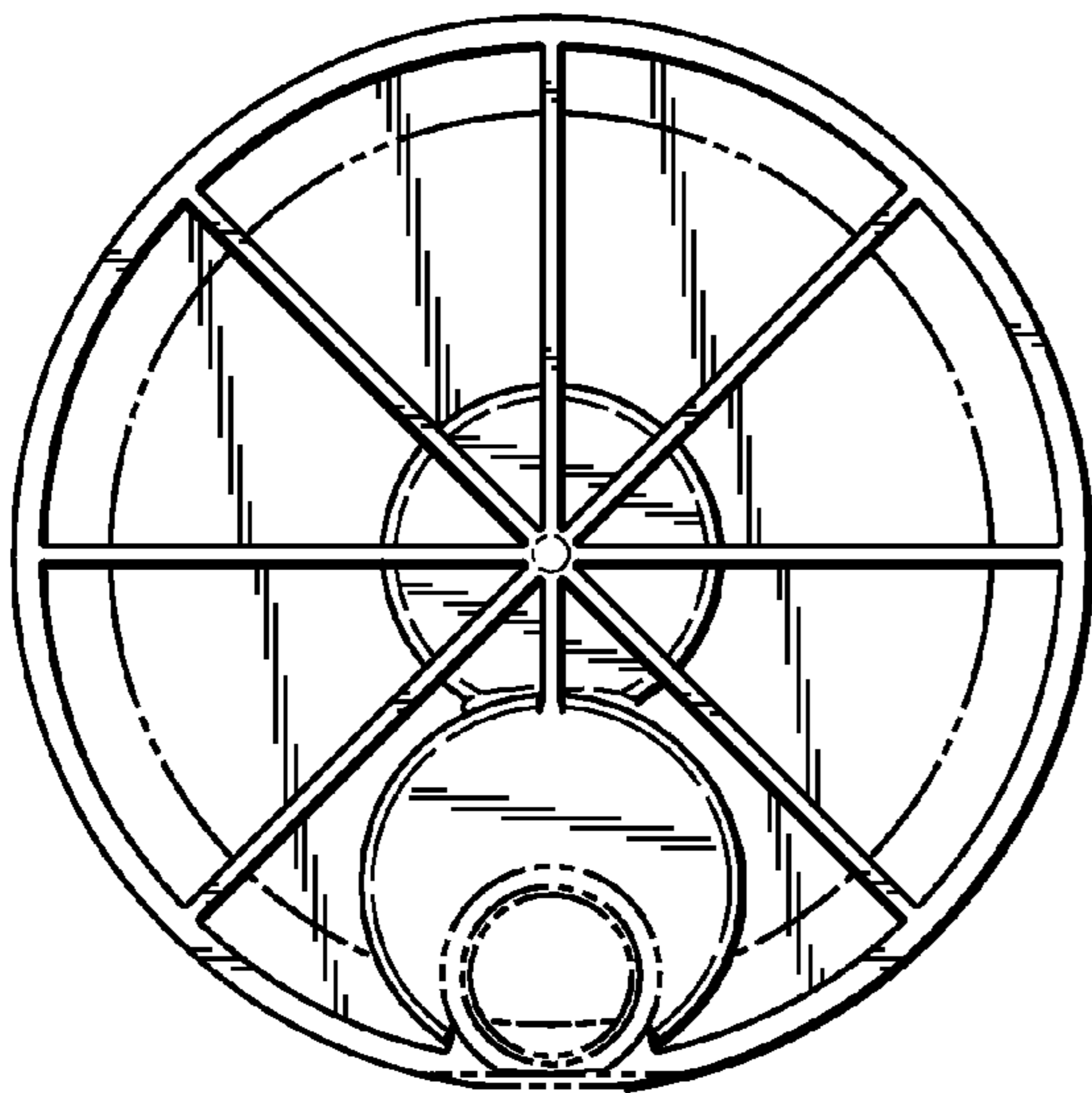


FOREIGN PATENT DOCUMENTS					
			EM	000031588-0006	10/2003
			EM	000031588-0007	10/2003
			EM	000031588-0008	10/2003
			EM	000031588-0009	10/2003
			EM	000031588-0010	10/2003
			EM	000031588-0011	10/2003
			EM	000031588-0012	10/2003
			EM	000031588-0013	10/2003
			EM	000054903-0001	12/2003
			EM	000054903-0002	12/2003
			EM	000054903-0003	12/2003
			EM	000054903-0004	12/2003
			EM	000054903-0005	12/2003
			EM	000054903-0006	12/2003
			EM	000054903-0007	12/2003
			EM	000018031-0011	10/2006
			EP	0 787 655 B1	8/1997
EM	000018031-0003	10/2003			
EM	000018031-0004	10/2003			
EM	000018031-0005	10/2003			
EM	000018031-0006	10/2003			
EM	000018031-0007	10/2003			
EM	000018031-0008	10/2003			
EM	000018031-0009	10/2003			
EM	000018031-0010	10/2003			
EM	000018031-0012	10/2003			
EM	000018031-0013	10/2003			
EM	000018031-0014	10/2003			
EM	000018031-0015	10/2003			
EM	000018031-0016	10/2003			
EM	000031588-0001	10/2003			
EM	000031588-0002	10/2003			
EM	000031588-0003	10/2003			
EM	000031588-0004	10/2003			
EM	000031588-0005	10/2003			

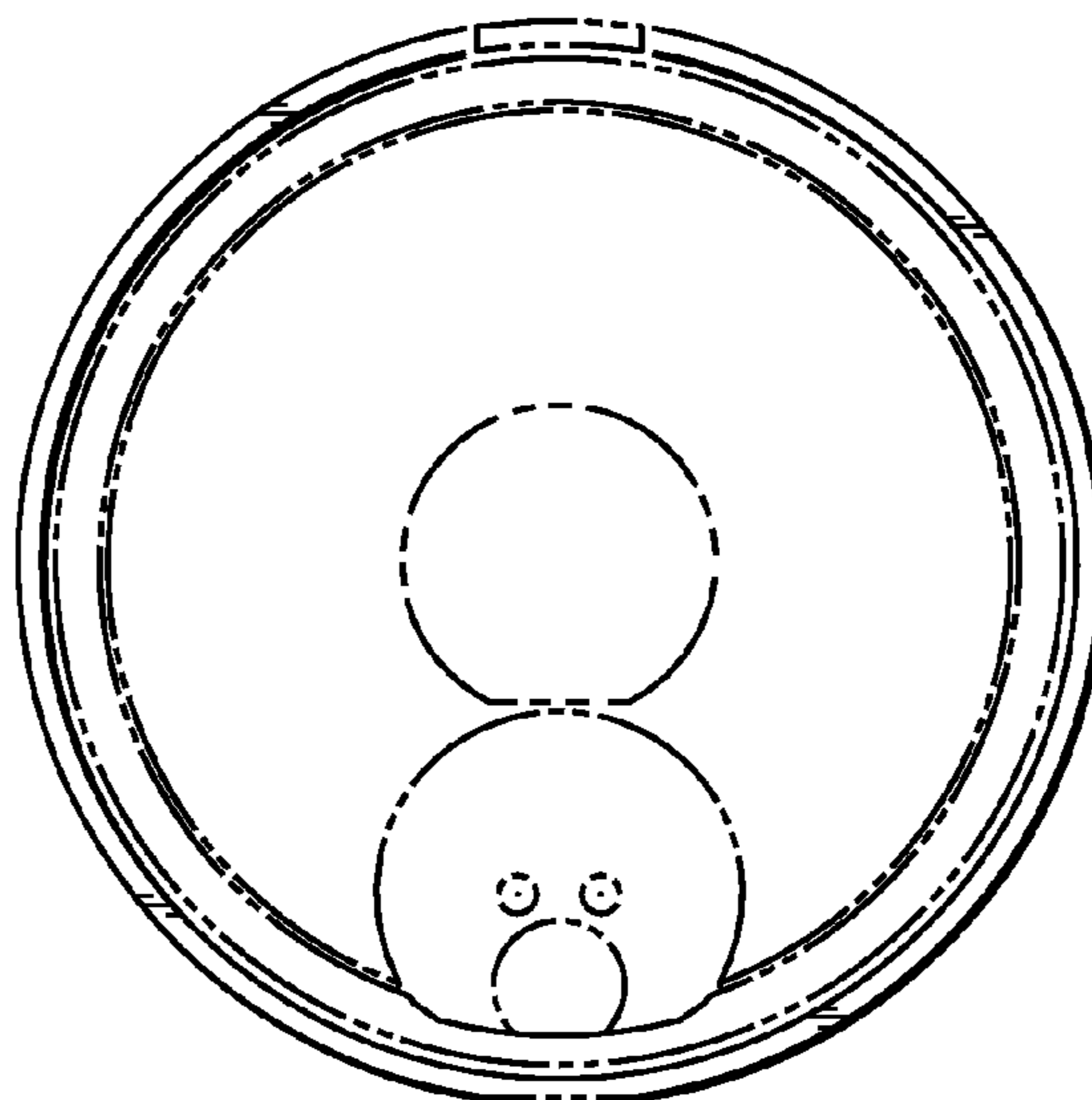
\* cited by examiner



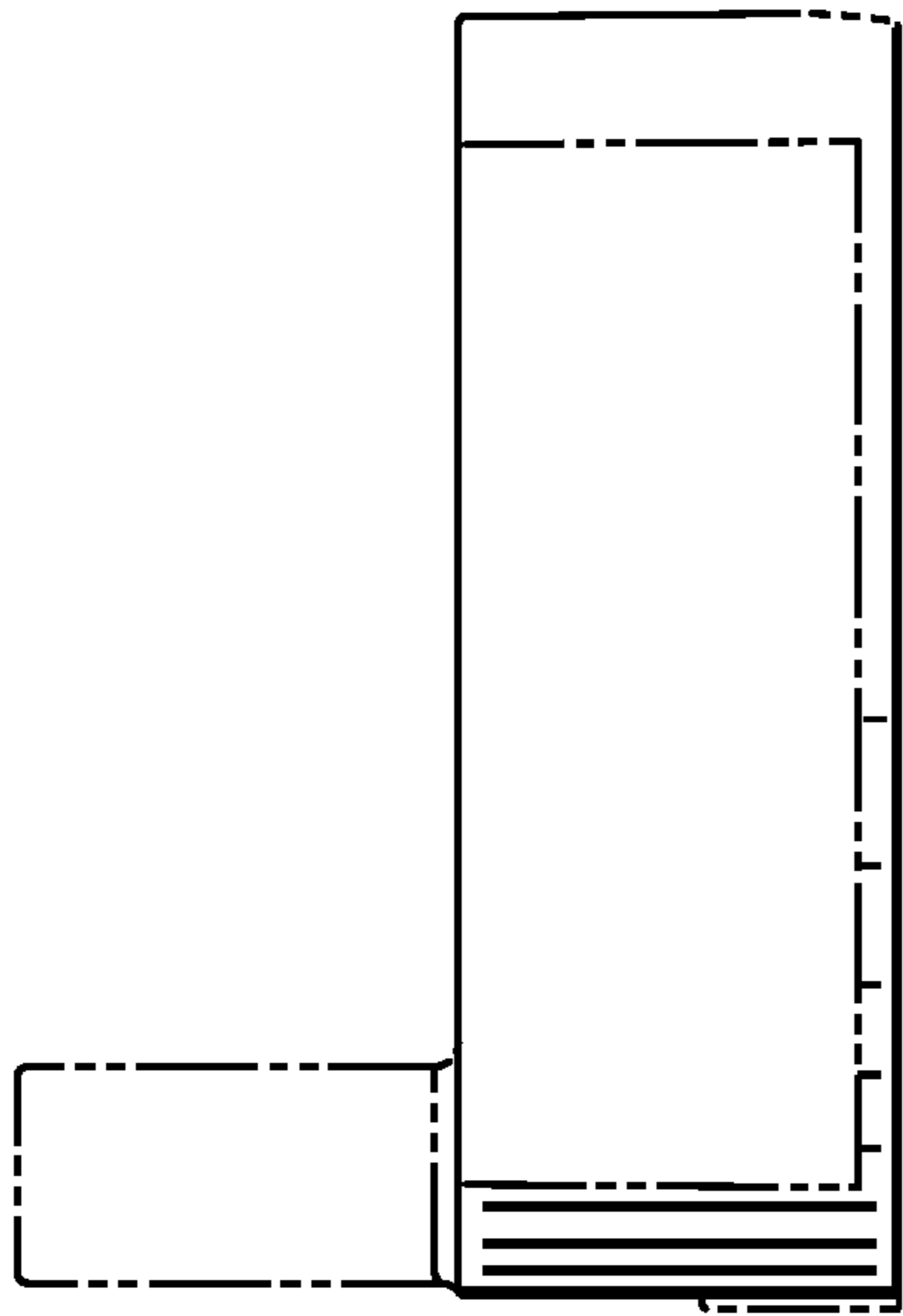
*Fig. 1*



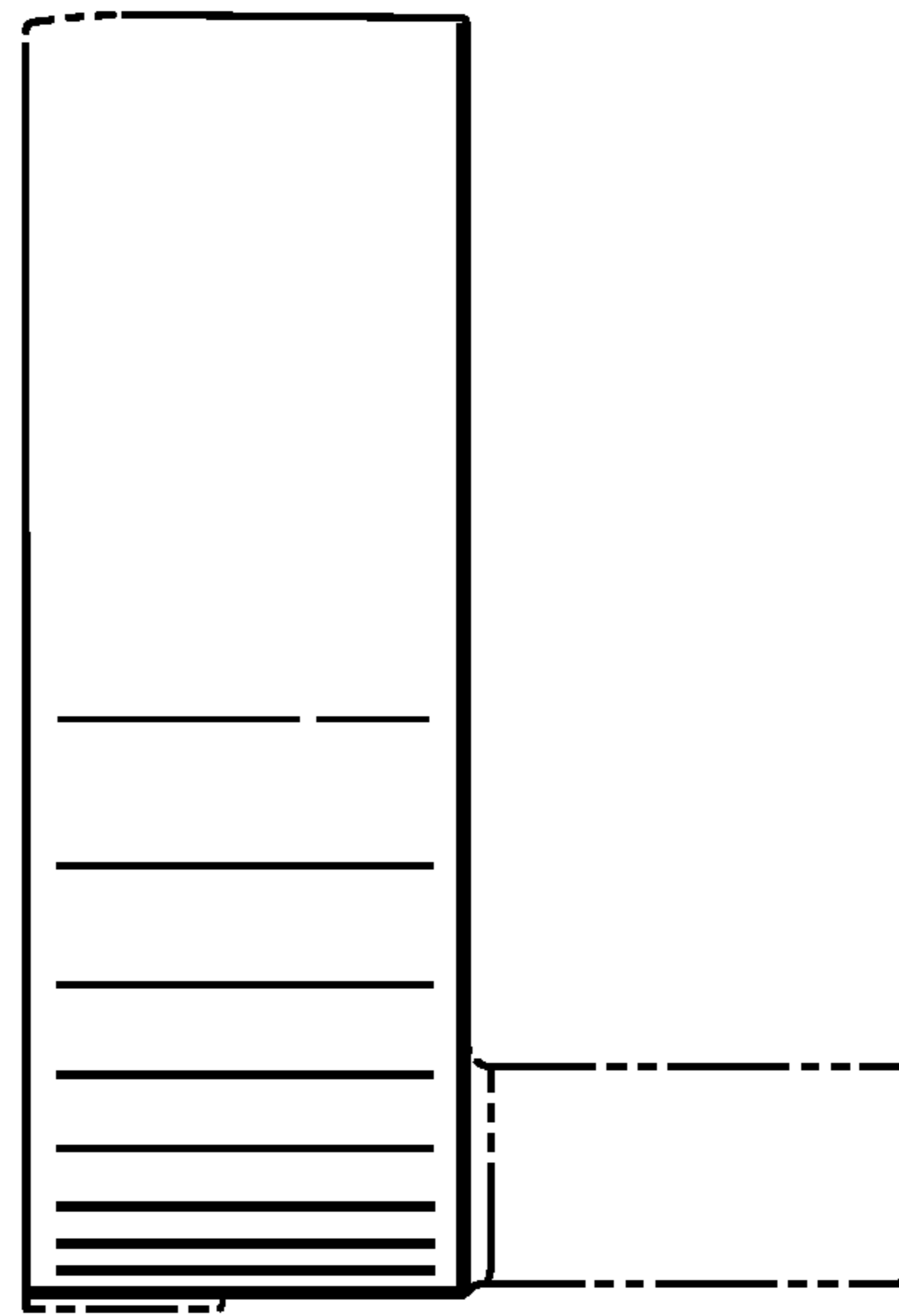
*Fig. 2*



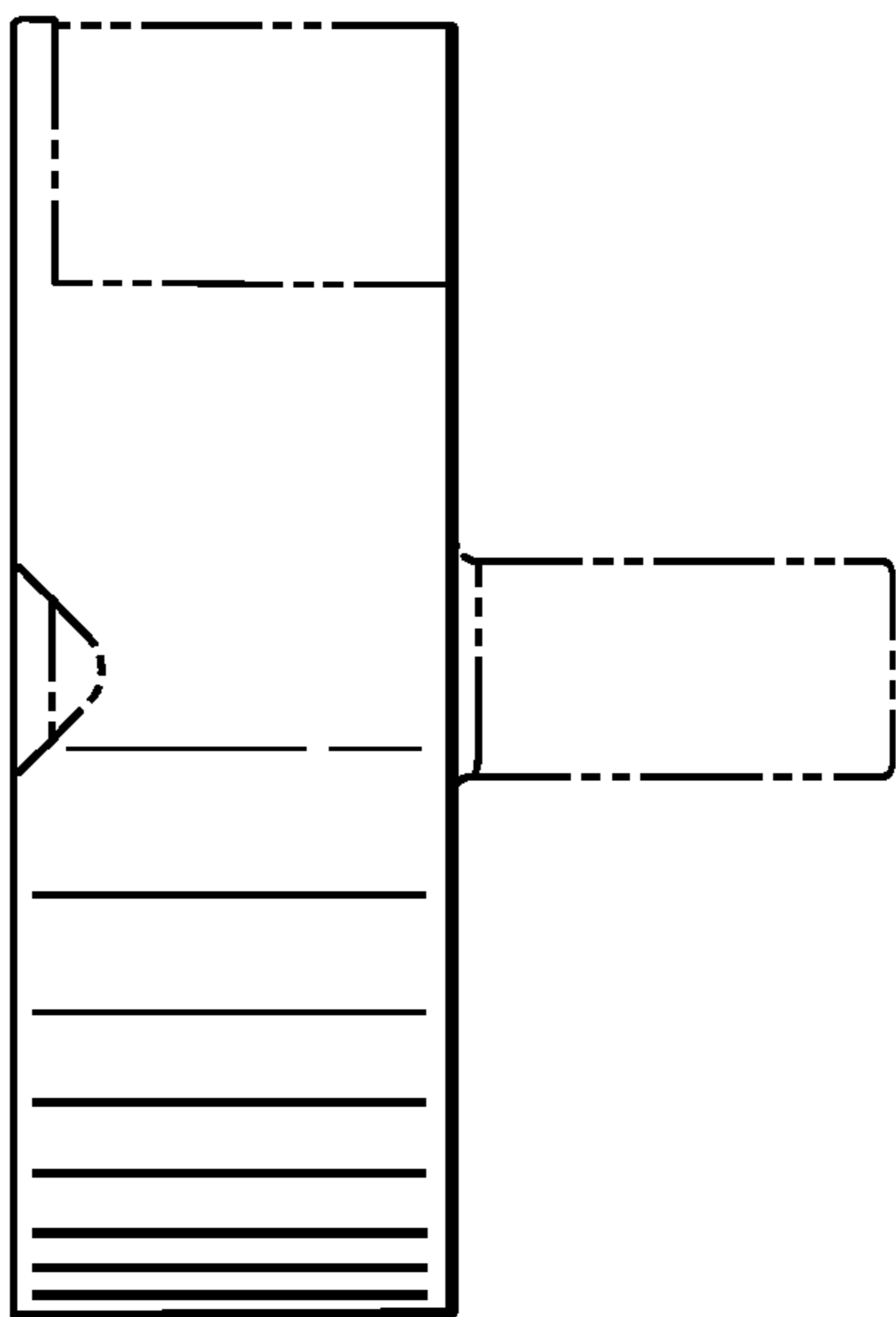
*Fig. 3*



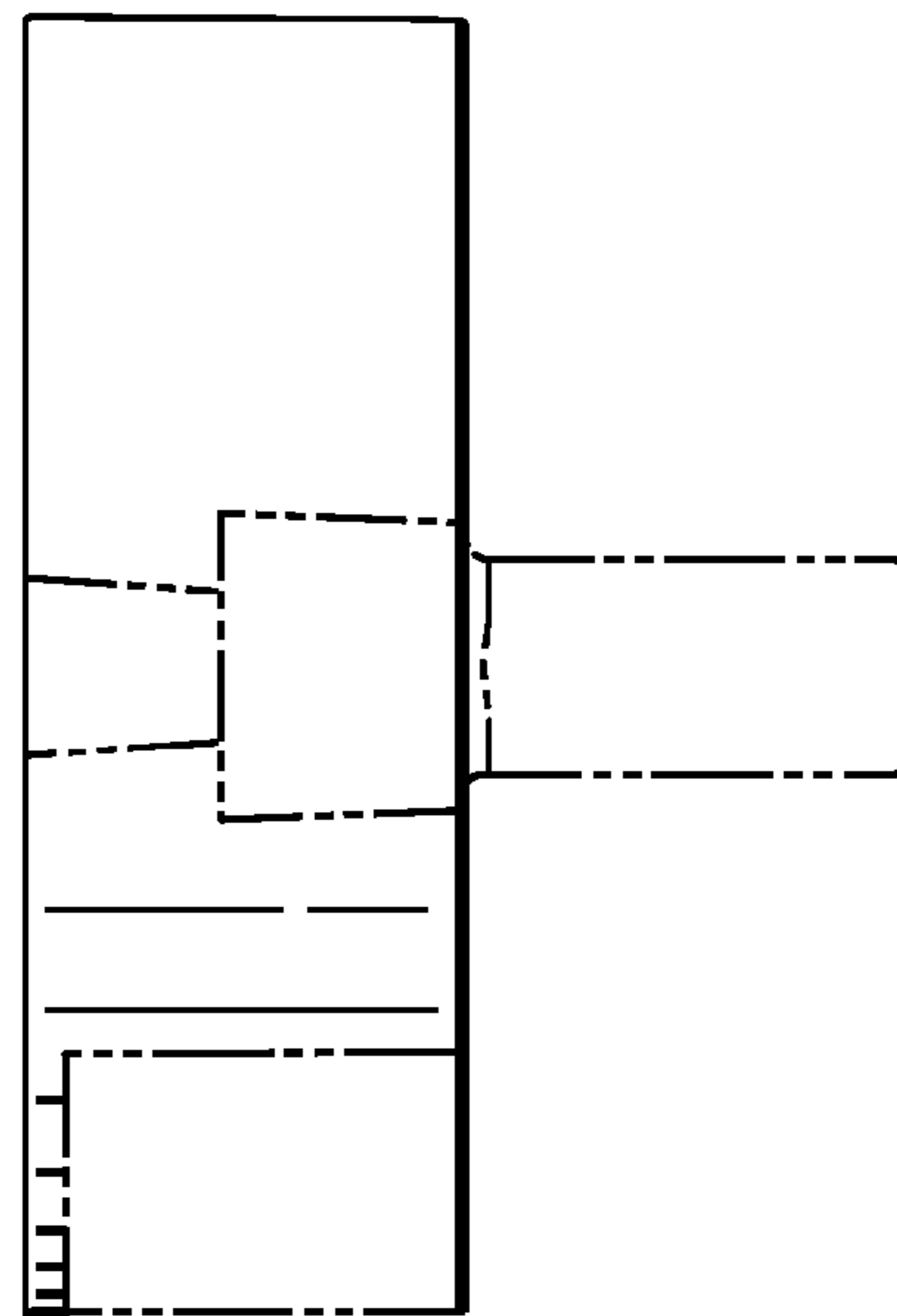
*Fig. 4*



*Fig. 5*



*Fig. 6*



*Fig. 7*