



US00D553975S

(12) **United States Design Patent**
Voges

(10) **Patent No.:** **US D553,975 S**

(45) **Date of Patent:** **** Oct. 30, 2007**

(54) **PACKAGING FOR FLOWERS**

D374,819 S * 10/1996 Wells D9/425

(75) **Inventor:** **Albert Johan Ferdinand Voges,**
Hillegom (NL)

* cited by examiner

(73) **Assignee:** **Voges Verpakking B.V.,** Hillegom (NL)

Primary Examiner—Lou Zarfaz
Assistant Examiner—Susan E Krakower

(**) **Term:** **14 Years**

(74) *Attorney, Agent, or Firm*—Jeffrey D. Myers; Justin R. Jackson; Peacock Myers, P.C.

(21) **Appl. No.:** **29/256,573**

(57) **CLAIM**

(22) **Filed:** **Mar. 21, 2006**

The ornamental design for packaging for flowers, as shown and described.

(30) **Foreign Application Priority Data**

DESCRIPTION

Dec. 23, 2005 (EM) 000455001-0001

FIG. 1 is a top view of the tray portion of the packaging for flowers showing my new design;

(51) **LOC (8) Cl.** **09-03**

(52) **U.S. Cl.** **D9/425; D9/418; D9/424;**
D9/437

FIG. 2 is an end elevational view of the tray portion thereof;

(58) **Field of Classification Search** D9/414-432,
D9/748-762, 449, 456; D7/601-602, 629;
206/484-484.2, 518, 557, 459.1, 524.3; 220/287,
220/556, 241-2, 780-1, 350

FIG. 3 is a front elevational view of the tray portion thereof;

FIG. 4 is a top perspective view of the tray portion thereof;

FIG. 5 is a top plan view of the lid portion thereof;

FIG. 6 is an end elevational view of the lid portion thereof;

FIG. 7 is a front elevational view of the lid portion thereof;

FIG. 8 is a top perspective view of the lid portion thereof;

and,

FIG. 9 is a top perspective view of the combined lid and tray thereof.

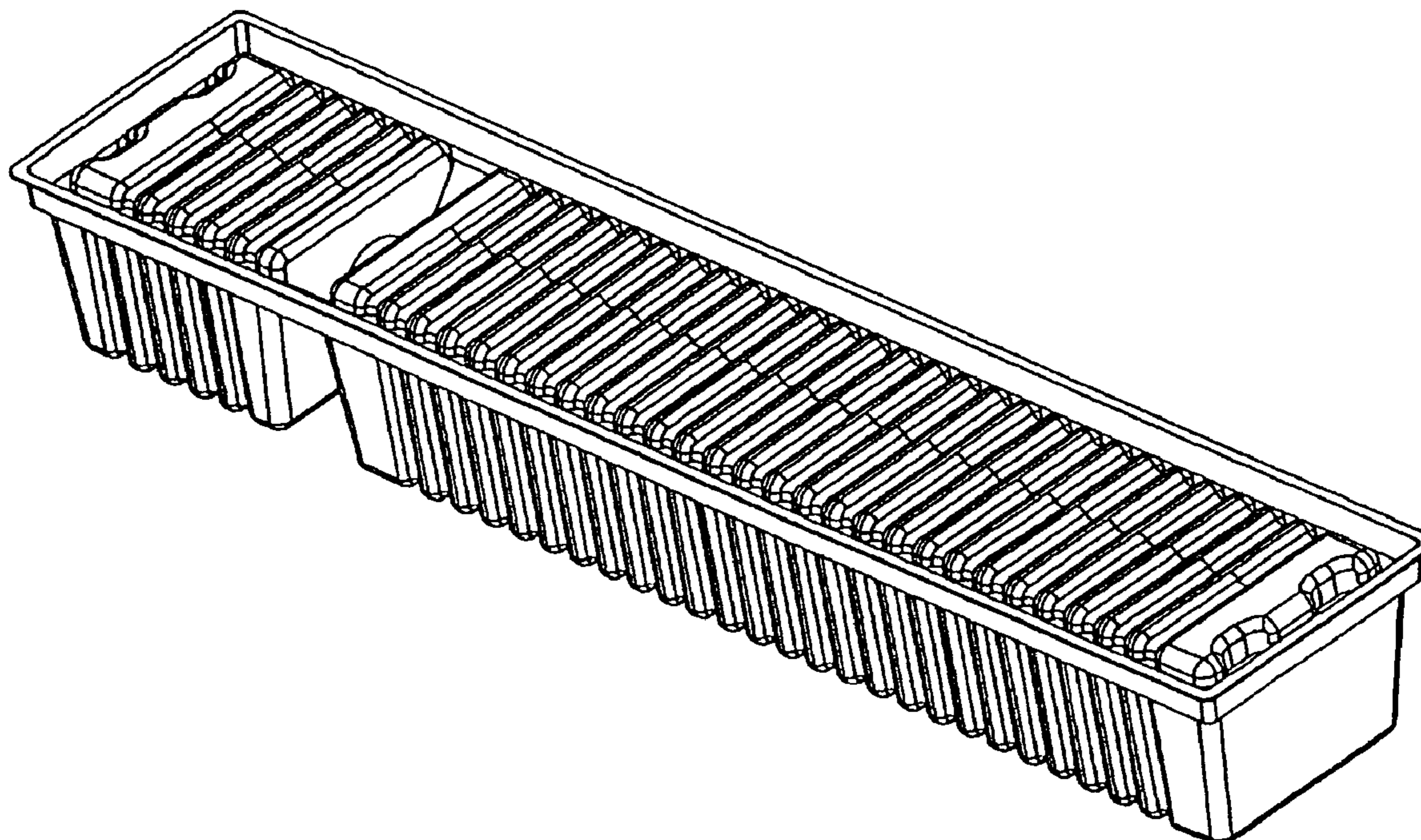
See application file for complete search history.

(56) **References Cited**

U.S. PATENT DOCUMENTS

D306,698 S *	3/1990	Garcia	D9/424
D332,746 S *	1/1993	Garcia	D9/426
D368,028 S *	3/1996	Baker	D9/415
D370,176 S *	5/1996	Wyslotsky	D9/425

1 Claim, 9 Drawing Sheets



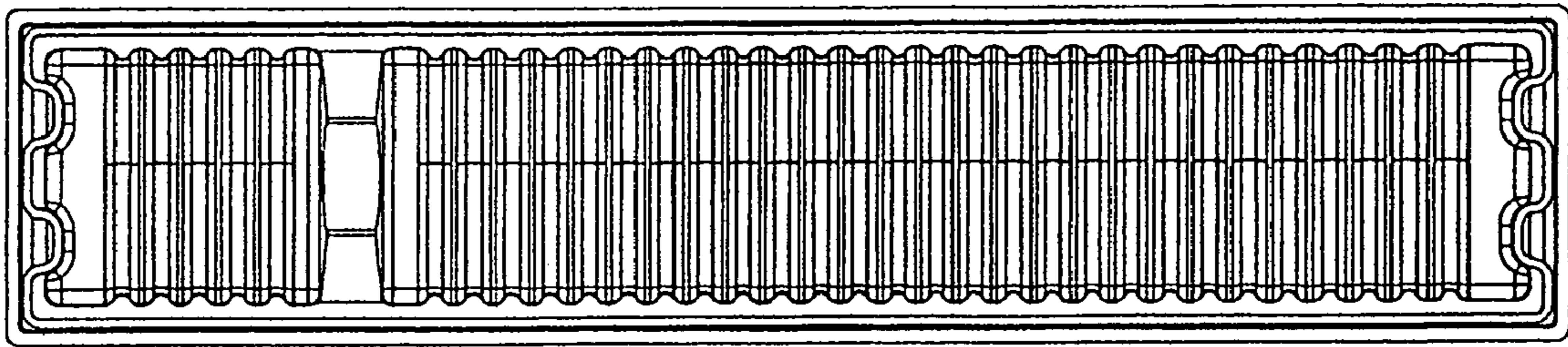


Fig. 1

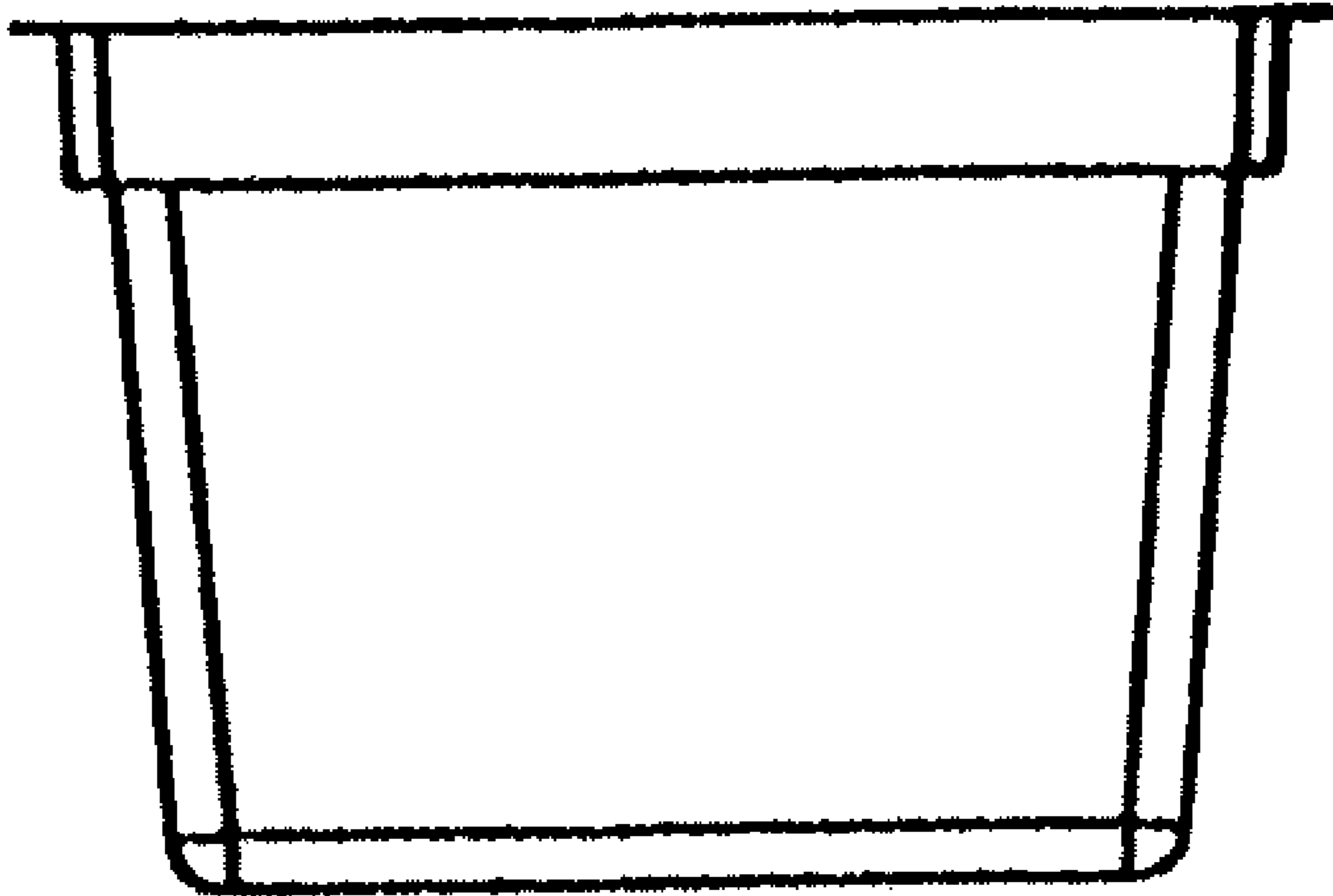


Fig. 2

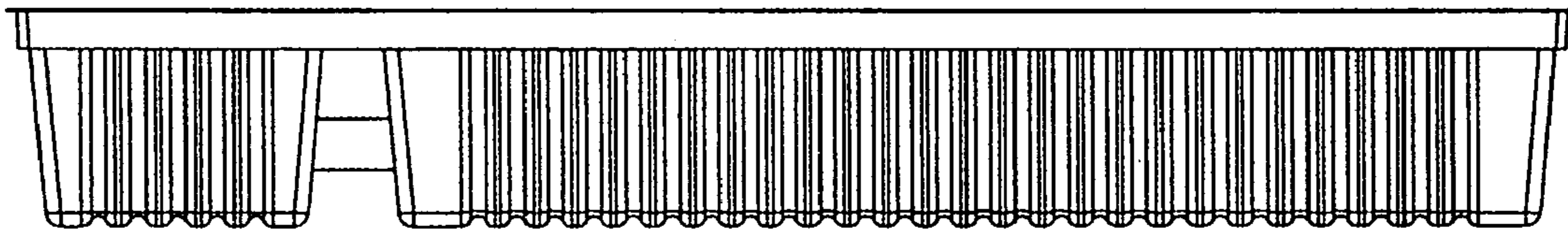


Fig. 3

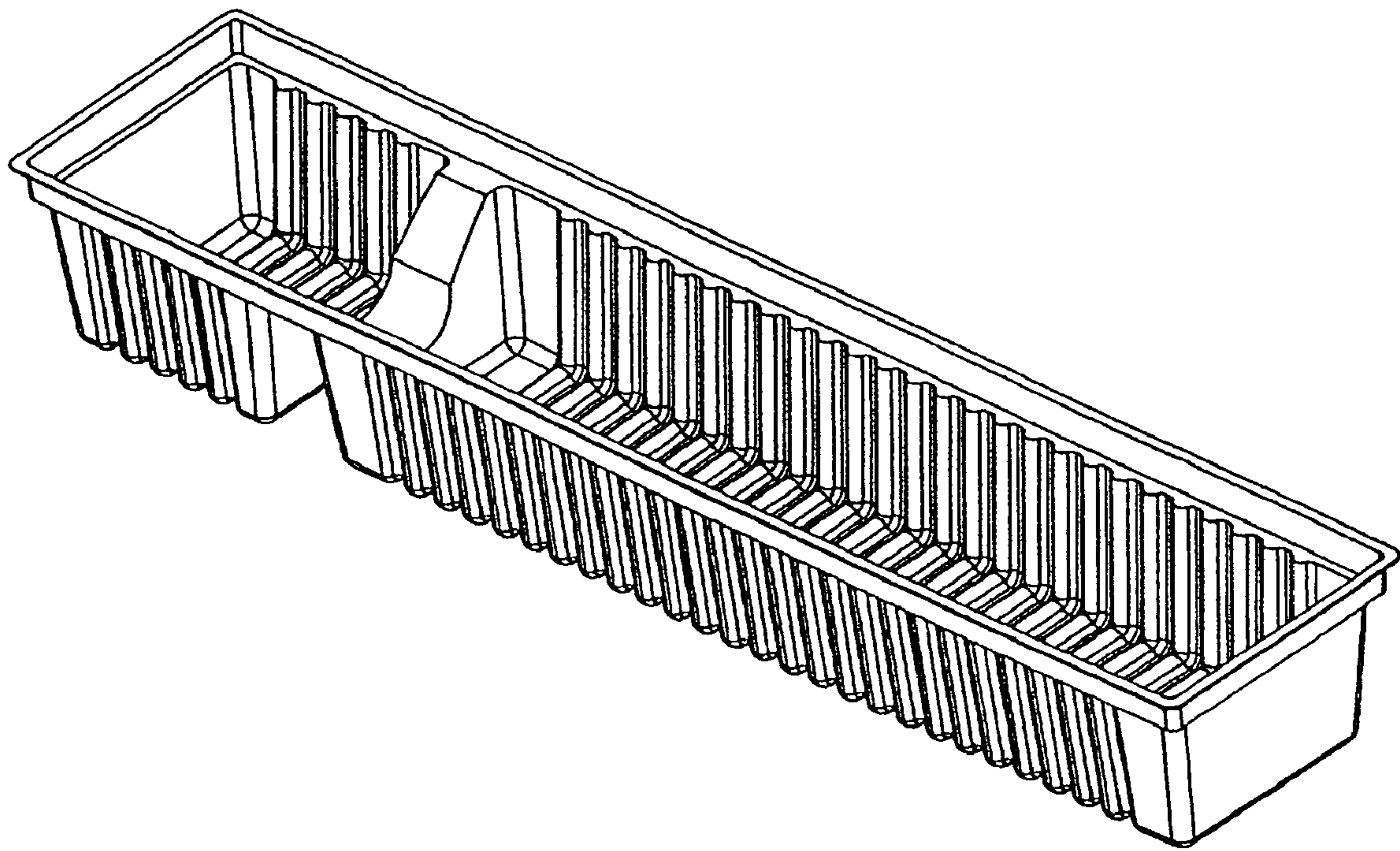


Fig. 4

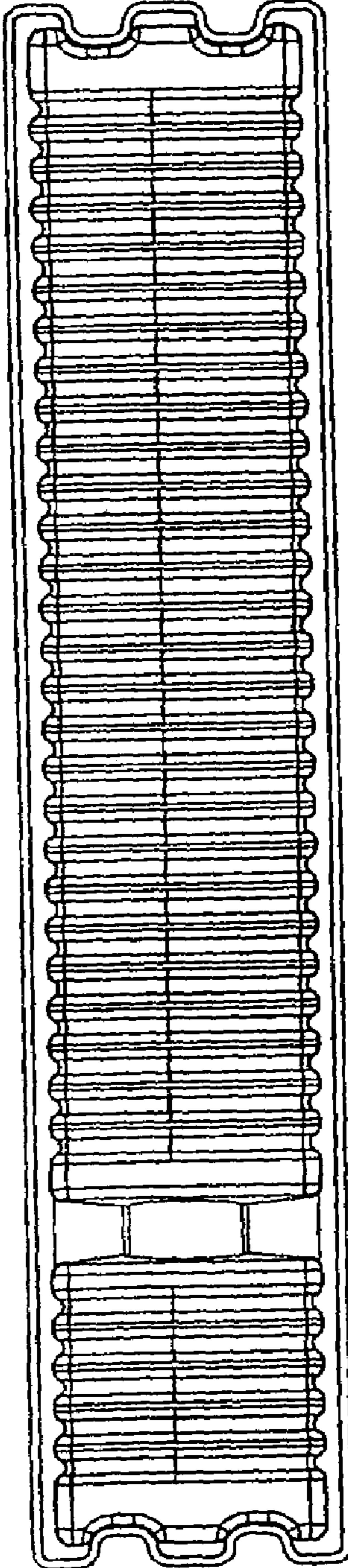


Fig. 5

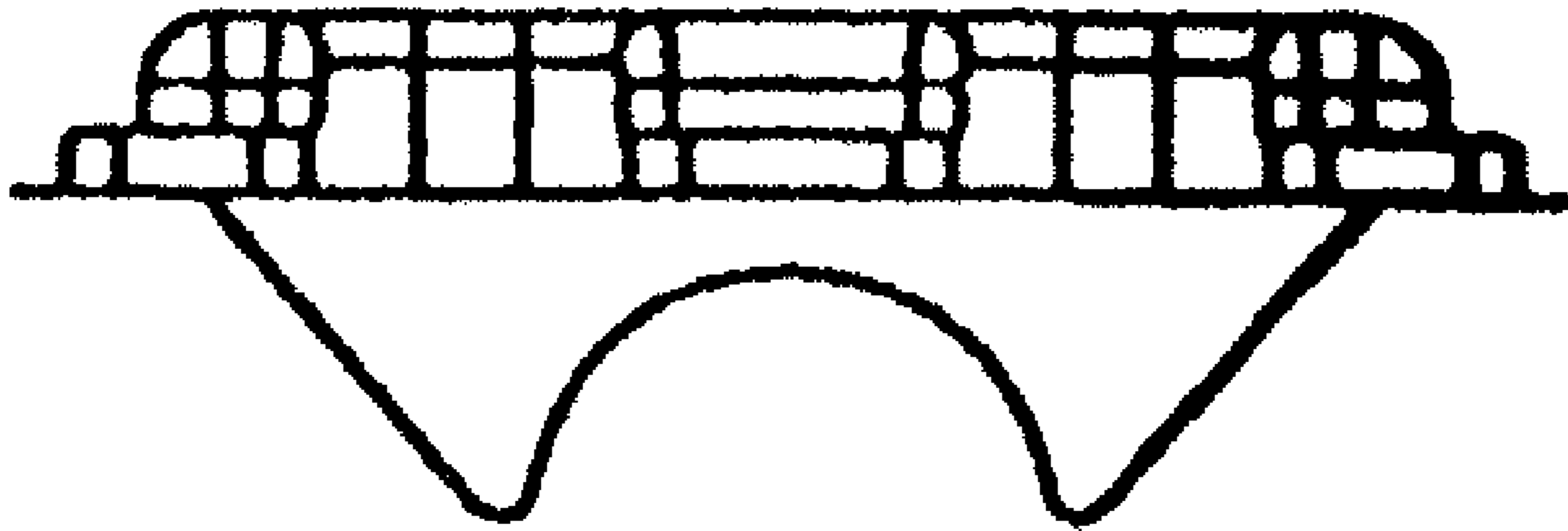


Fig. 6

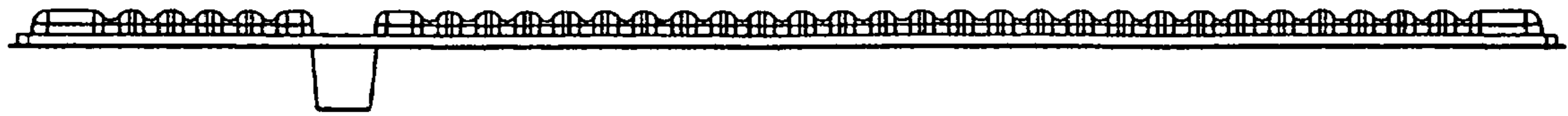


Fig. 7

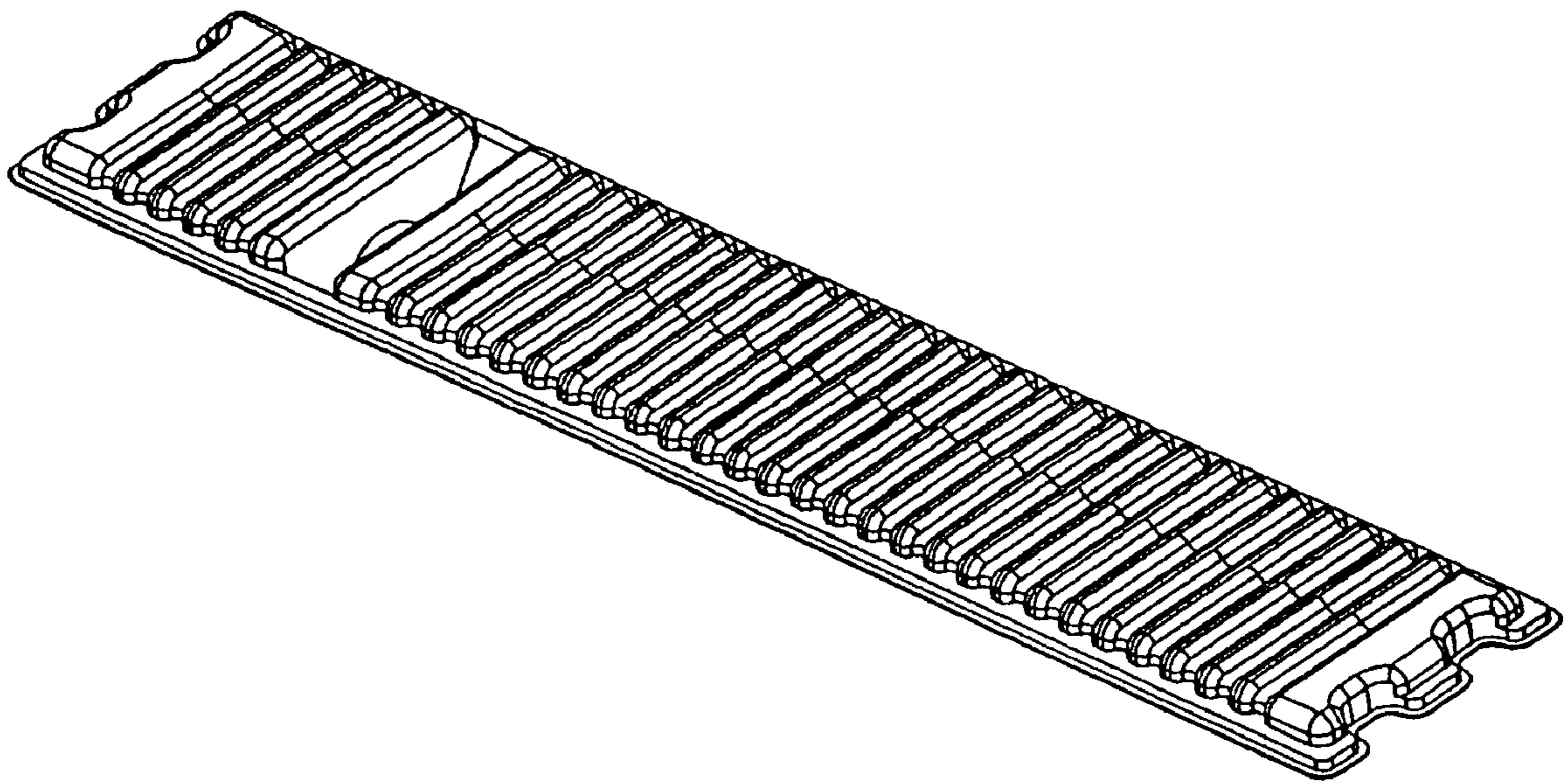


Fig. 8

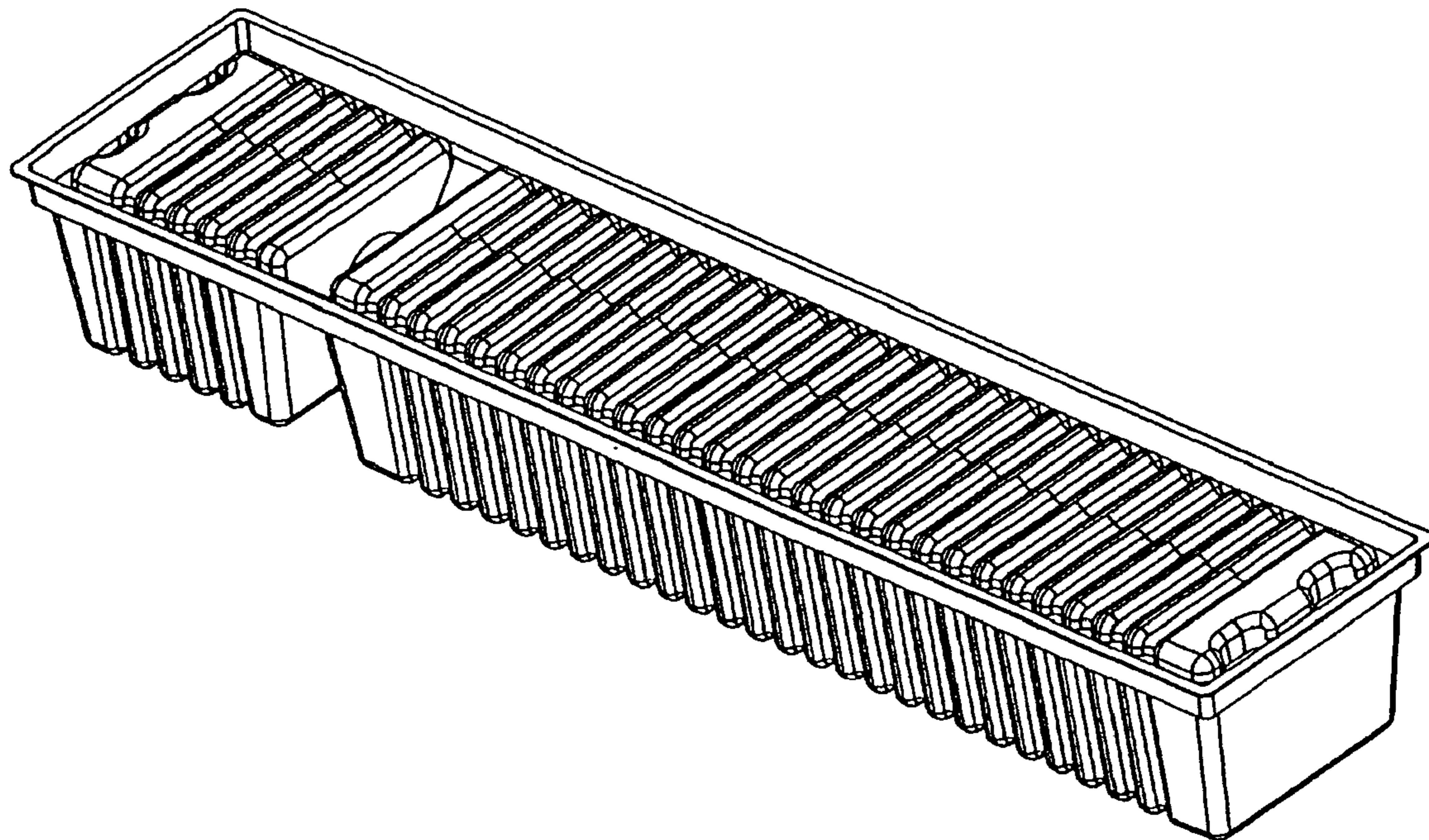


Fig. 9