



US00D553974S

(12) **United States Design Patent**  
**Croft et al.**

(10) **Patent No.:** **US D553,974 S**

(45) **Date of Patent:** **\*\* Oct. 30, 2007**

(54) **PRODUCT PACKAGING**

(75) Inventors: **Robert John Croft**, Jersey City, NJ  
(US); **Martin Short**, Jersey City, NJ  
(US)

(73) Assignee: **Microsoft Corporation**, Redmond, WA  
(US)

(\*\*) Term: **14 Years**

(21) Appl. No.: **29/246,750**

(22) Filed: **May 8, 2006**

**Related U.S. Application Data**

(63) Continuation-in-part of application No. 29/229,675,  
filed on May 11, 2005.

(51) **LOC (8) Cl.** ..... **09-03**

(52) **U.S. Cl.** ..... **D9/418; D9/415**

(58) **Field of Classification Search** ..... D9/414-433,  
D9/457, 701, 341-348, 730-762, 304, 227;  
206/461-471, 495, 806

See application file for complete search history.

(56) **References Cited**

**U.S. PATENT DOCUMENTS**

4,570,818 A \* 2/1986 Borst et al. .... 220/835  
D305,408 S \* 1/1990 LaJoie ..... D9/415  
D315,302 S \* 3/1991 Kistler ..... D9/415  
D378,894 S \* 4/1997 Mello ..... D9/759

D418,407 S \* 1/2000 Uzawa ..... D9/415  
D456,249 S \* 4/2002 Pearson et al. .... D9/415  
D495,246 S \* 8/2004 Tomassetti ..... D9/415  
D496,267 S \* 9/2004 Tommassetti ..... D9/415  
D499,963 S \* 12/2004 Church ..... D9/415  
D534,795 S \* 1/2007 Manuel et al. .... D9/425  
2005/0092644 A1 \* 5/2005 Cafferata et al. .... 206/471

\* cited by examiner

*Primary Examiner*—Louis S. Zarfaz

*Assistant Examiner*—Susan E Krakower

(74) *Attorney, Agent, or Firm*—Banner & Witcoff, Ltd.

(57) **CLAIM**

The ornamental design for product packaging, as shown and described.

**DESCRIPTION**

FIG. 1 is a perspective view of a product packaging showing our new design;

FIG. 2 is a front elevational view thereof;

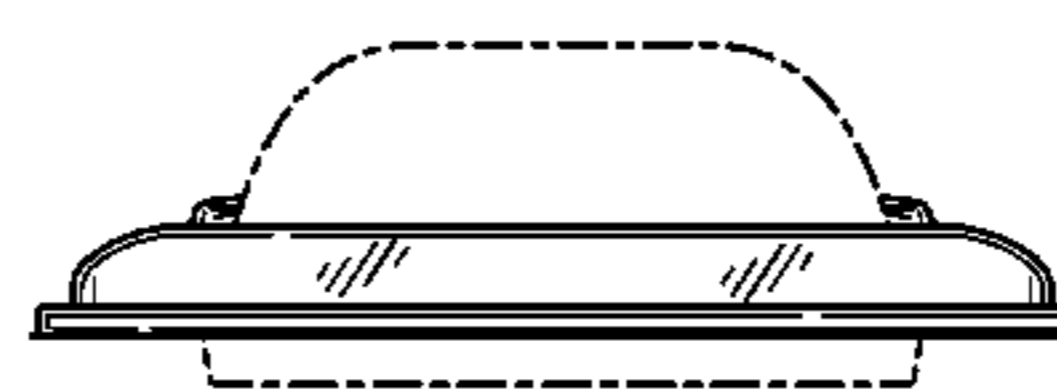
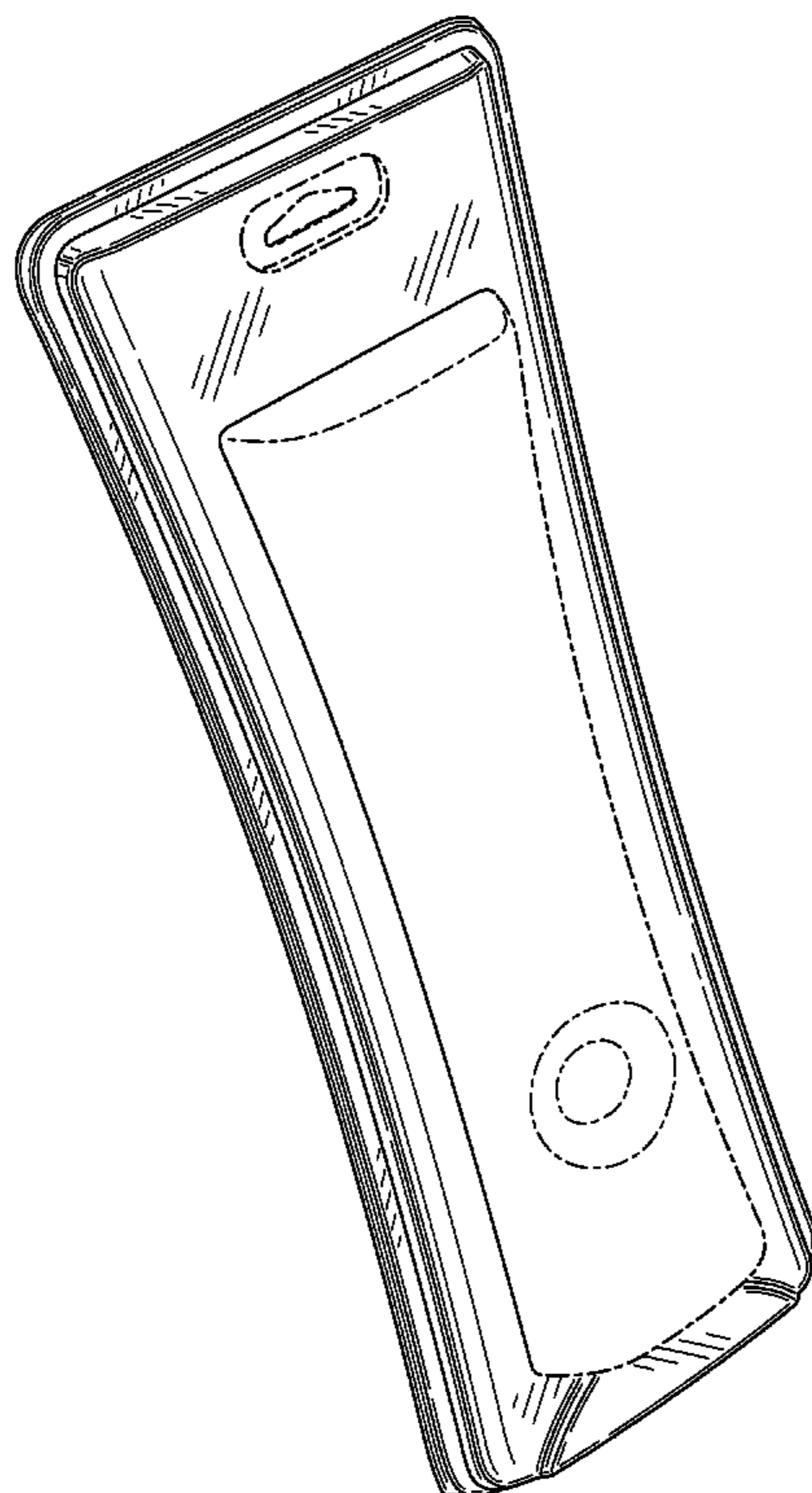
FIG. 3 is a right side elevational view thereof;

FIG. 4 is a top plan view thereof; and,

FIG. 5 is a bottom plan view thereof.

The broken line showing of various regions, the unshaded portions therein, and the remainder of the product packaging is for illustrative purposes only and forms no part of the claimed design.

**1 Claim, 3 Drawing Sheets**



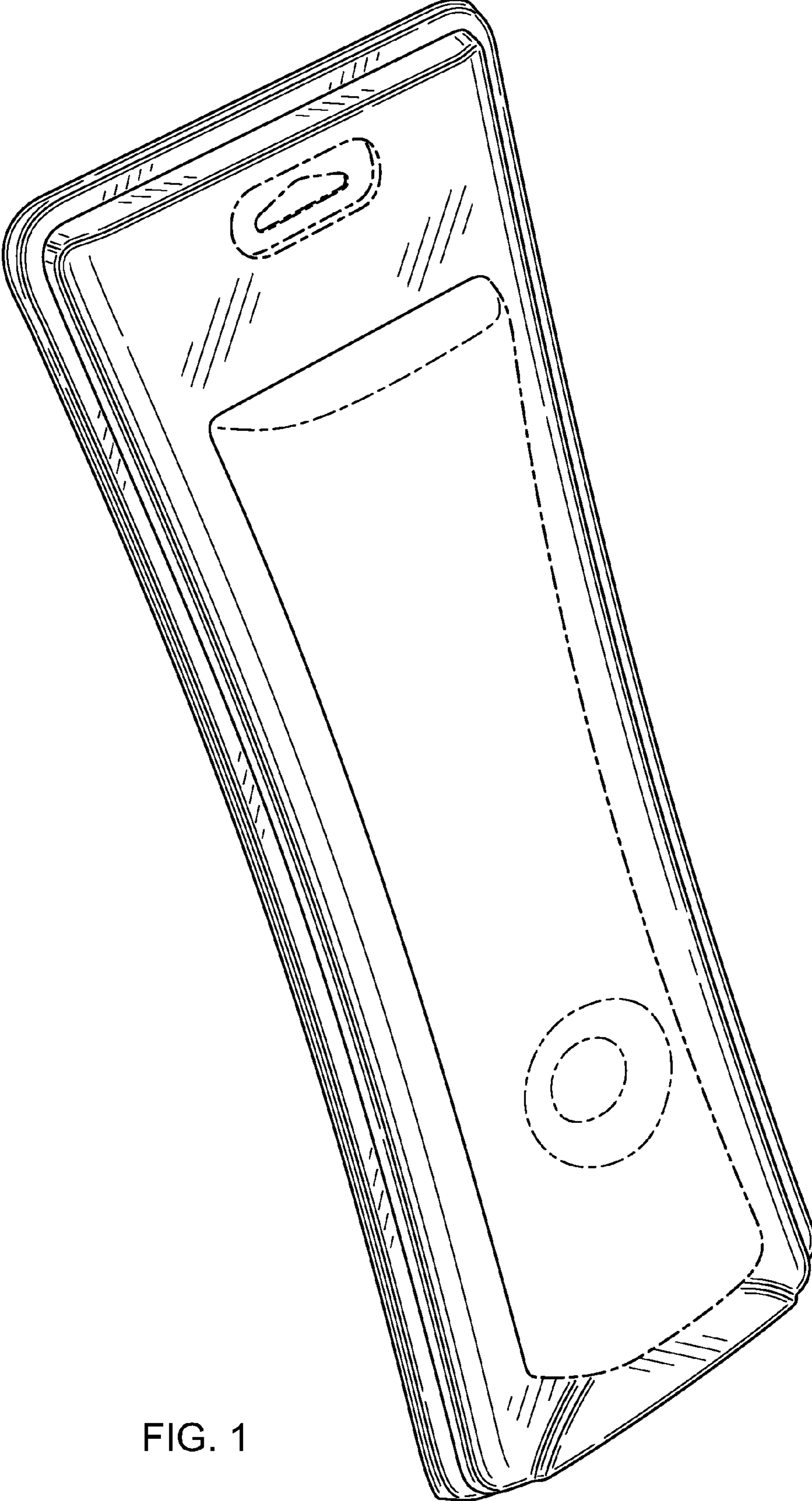


FIG. 1

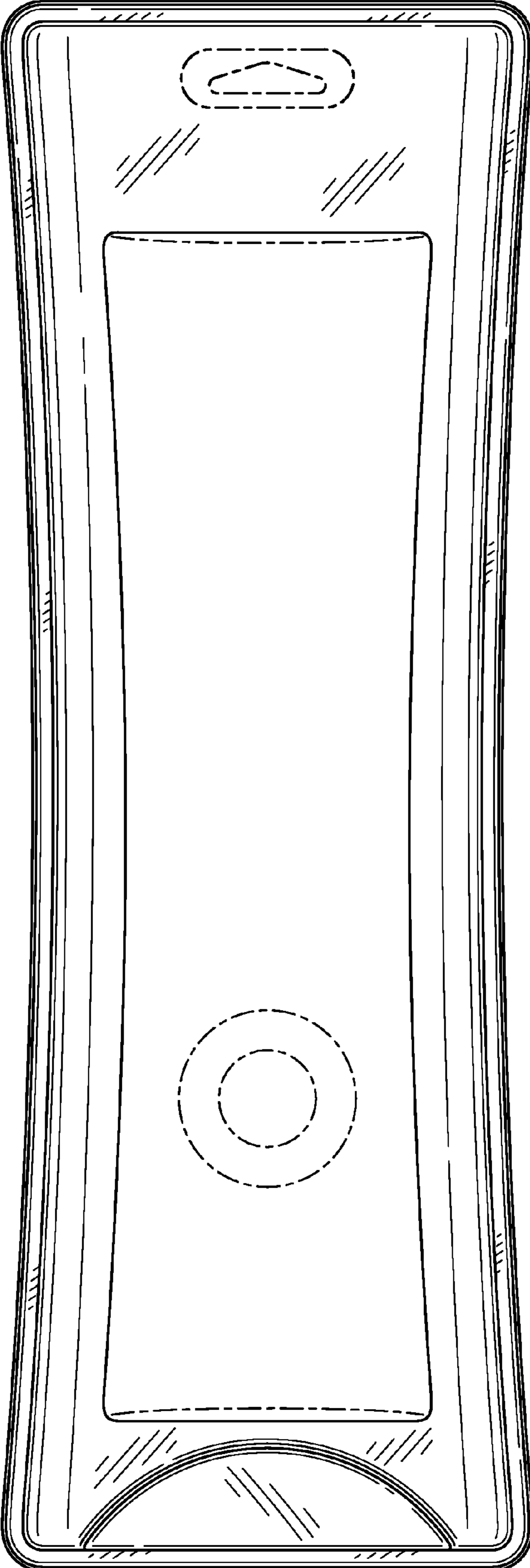


FIG. 2

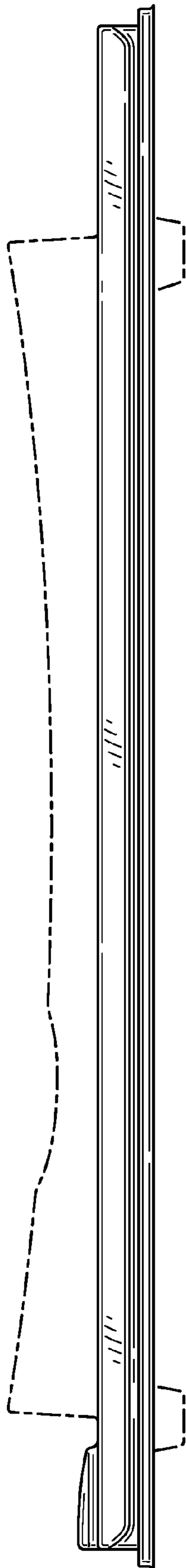


FIG. 3

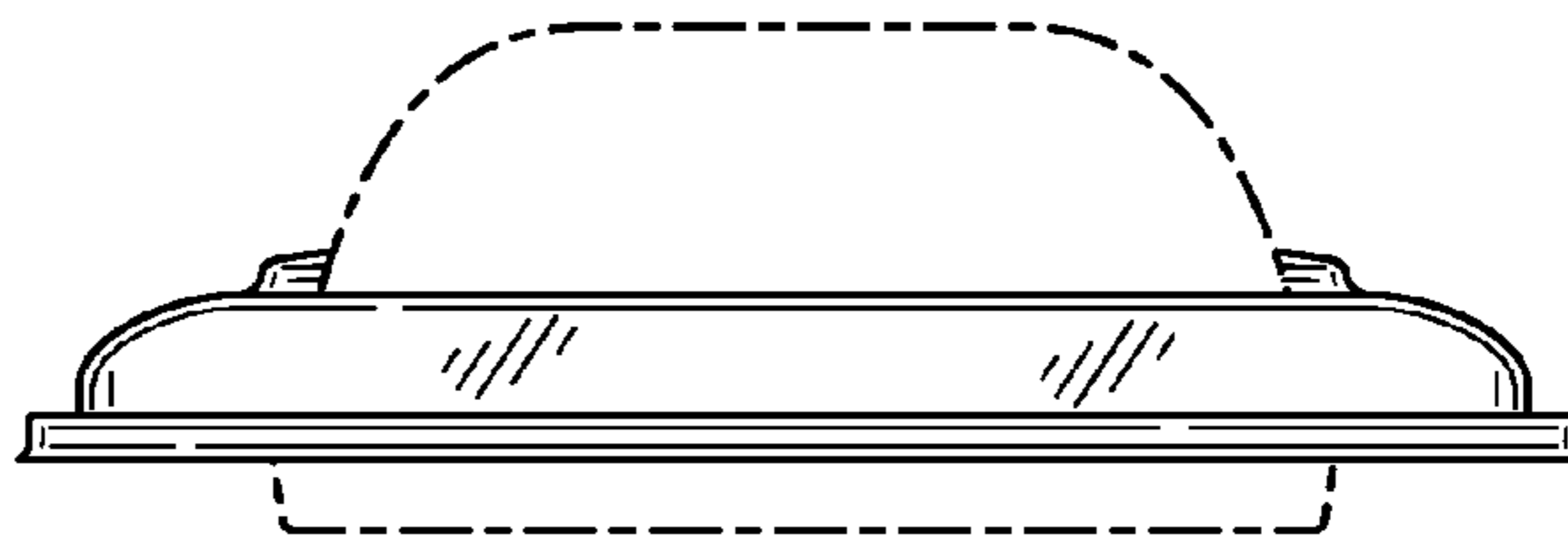


FIG. 4

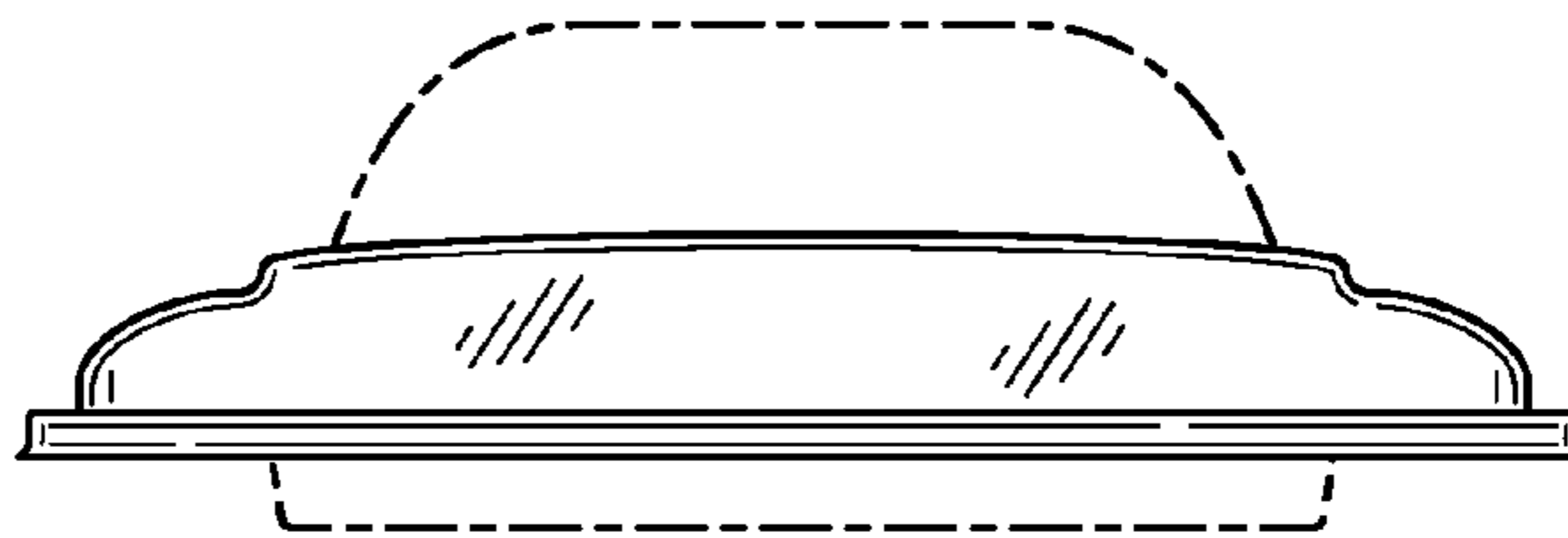


FIG. 5