



US00D553966S

(12) **United States Design Patent**
Triay

(10) **Patent No.:** **US D553,966 S**

(45) **Date of Patent:** **** Oct. 30, 2007**

(54) **CLASSIC STYLE PLANT BRACKET**

(75) Inventor: **George Triay**, Vancouver (CA)

(73) Assignee: **Peak Innovations Inc.**, Richmond (CA)

(**) Term: **14 Years**

(21) Appl. No.: **29/249,152**

(22) Filed: **Sep. 22, 2006**

(30) **Foreign Application Priority Data**

Mar. 24, 2006 (CN) 200630004466
Apr. 4, 2006 (CA) 115295

(51) **LOC (8) Cl.** **08-05**

(52) **U.S. Cl.** **D8/380; D8/363**

(58) **Field of Classification Search** D8/381,
D8/380, 373, 349; D6/574, 572, 556, 449,
D6/511, 478, 492; 248/300, 298.1, 250,
248/247, 243, 236, 235, 222.21-61, 214,
248/208, 301, 297.21; 108/152, 108; 312/408,
312/404; 229/120.07-34

See application file for complete search history.

(56) **References Cited**

U.S. PATENT DOCUMENTS

D305 S * 8/1850 Bryant D8/381

104,463 A * 6/1870 Judd 248/235
D23,730 S * 10/1894 Gavin D8/381
D23,873 S * 12/1894 Gavin D8/381
D371,507 S * 7/1996 Hollinger D8/373
D474,959 S * 5/2003 Massa D8/381
D492,583 S * 7/2004 Clayton D8/381

* cited by examiner

Primary Examiner—Gary D. Watson

Assistant Examiner—Susan Bennett Hattan

(74) *Attorney, Agent, or Firm*—Mark Hopkinson

(57) **CLAIM**

The ornamental design for a classic style plant bracket, as shown and described.

DESCRIPTION

FIG. 1 is a left side view of the classic style plant bracket;
FIG. 2 is a right side view thereof;
FIG. 3 is a front side view thereof;
FIG. 4 is a rear side view thereof;
FIG. 5 is a top view thereof;
FIG. 6 is a bottom view thereof; and,
FIG. 7 is a perspective view thereof.

1 Claim, 5 Drawing Sheets



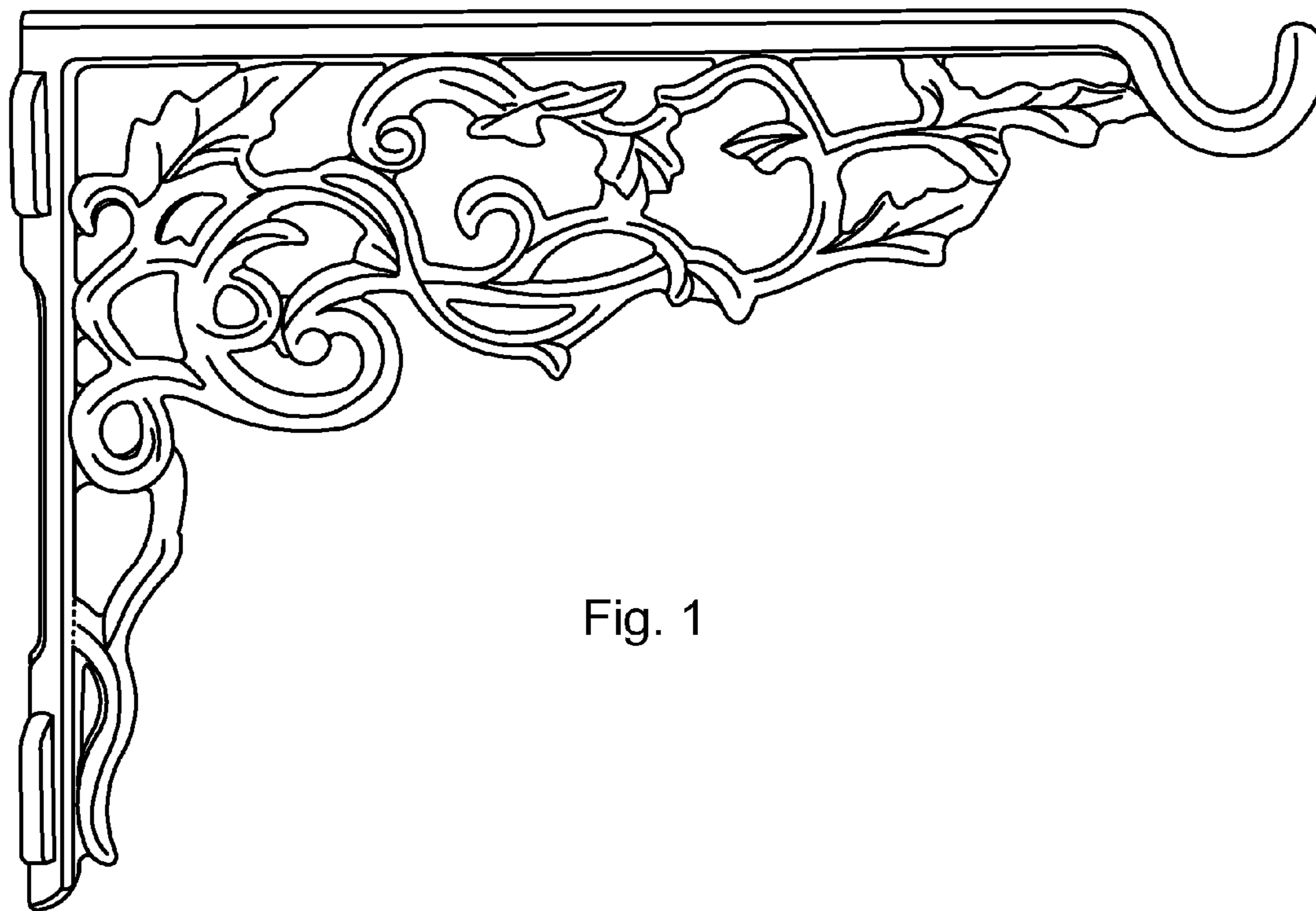


Fig. 1

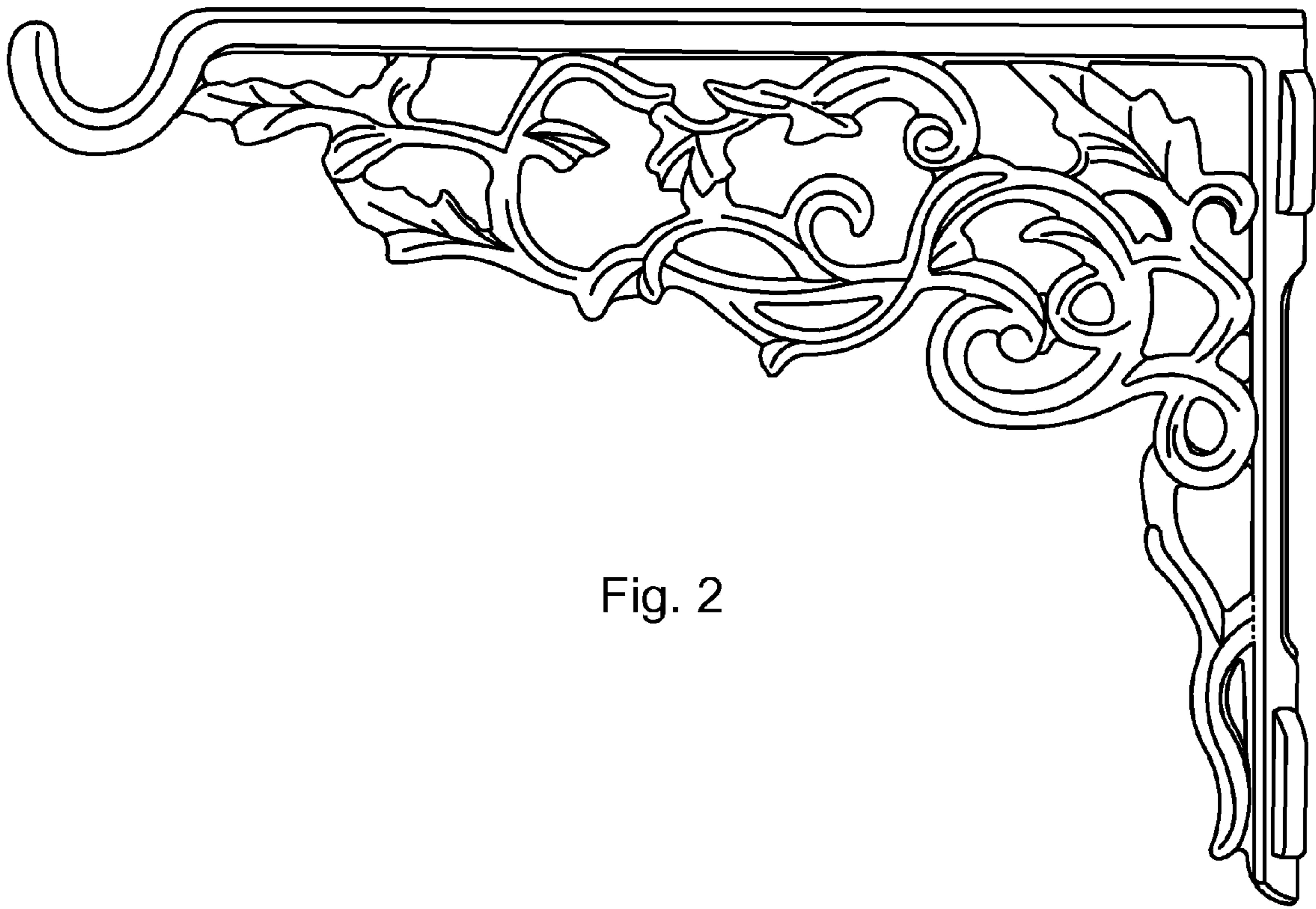


Fig. 2

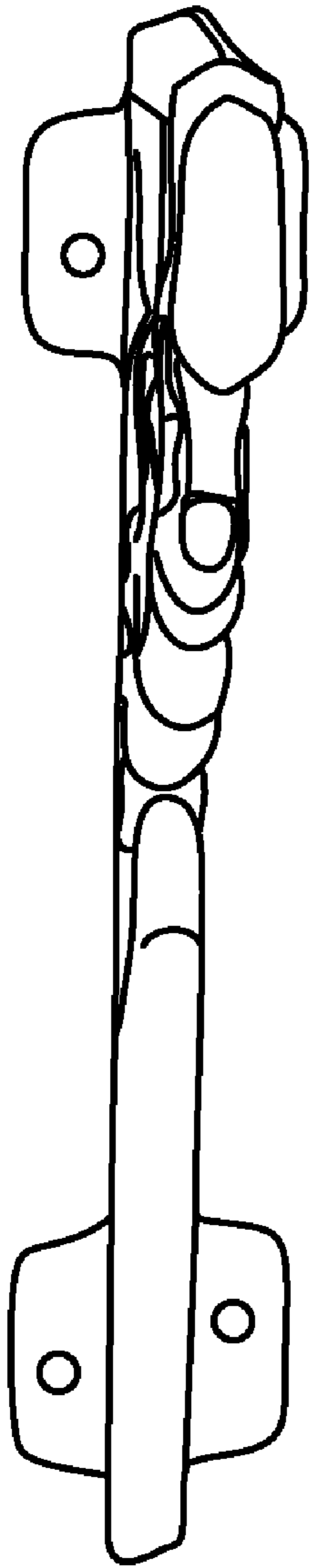


Fig. 3

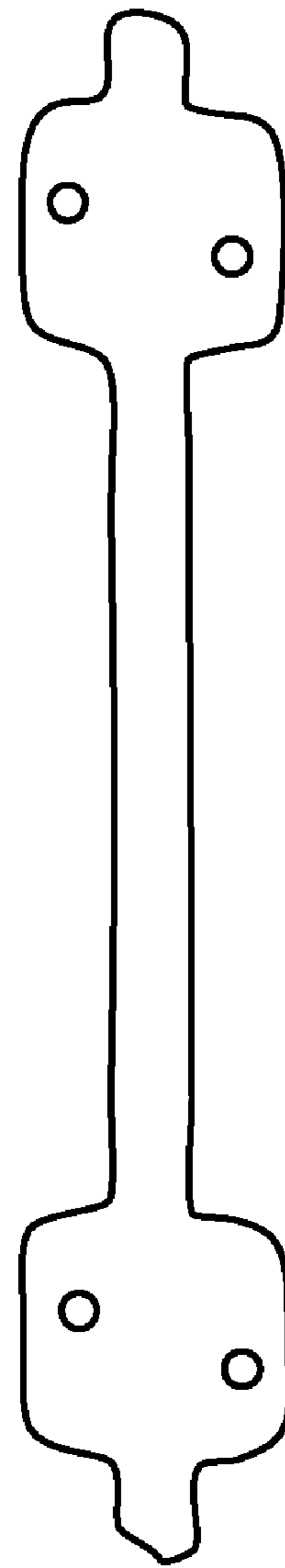


Fig. 4

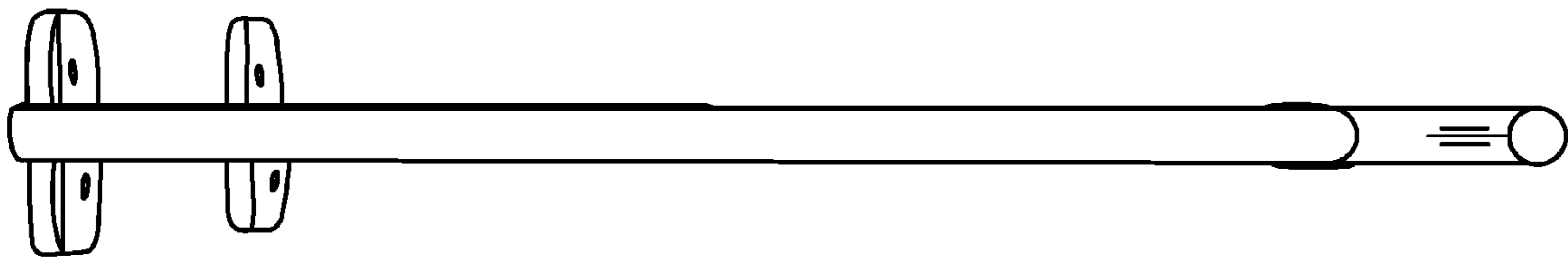


Fig. 5

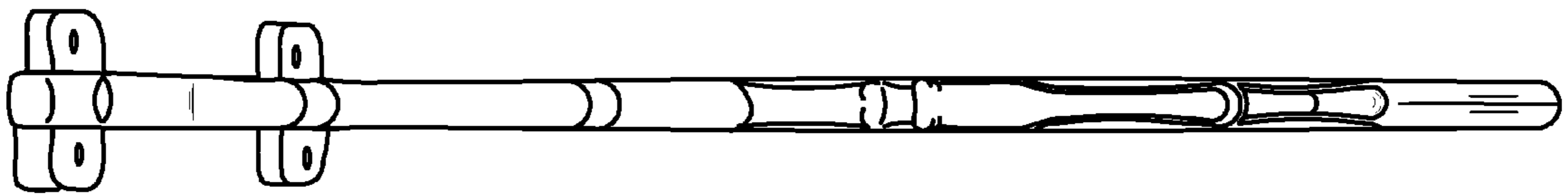


Fig. 6

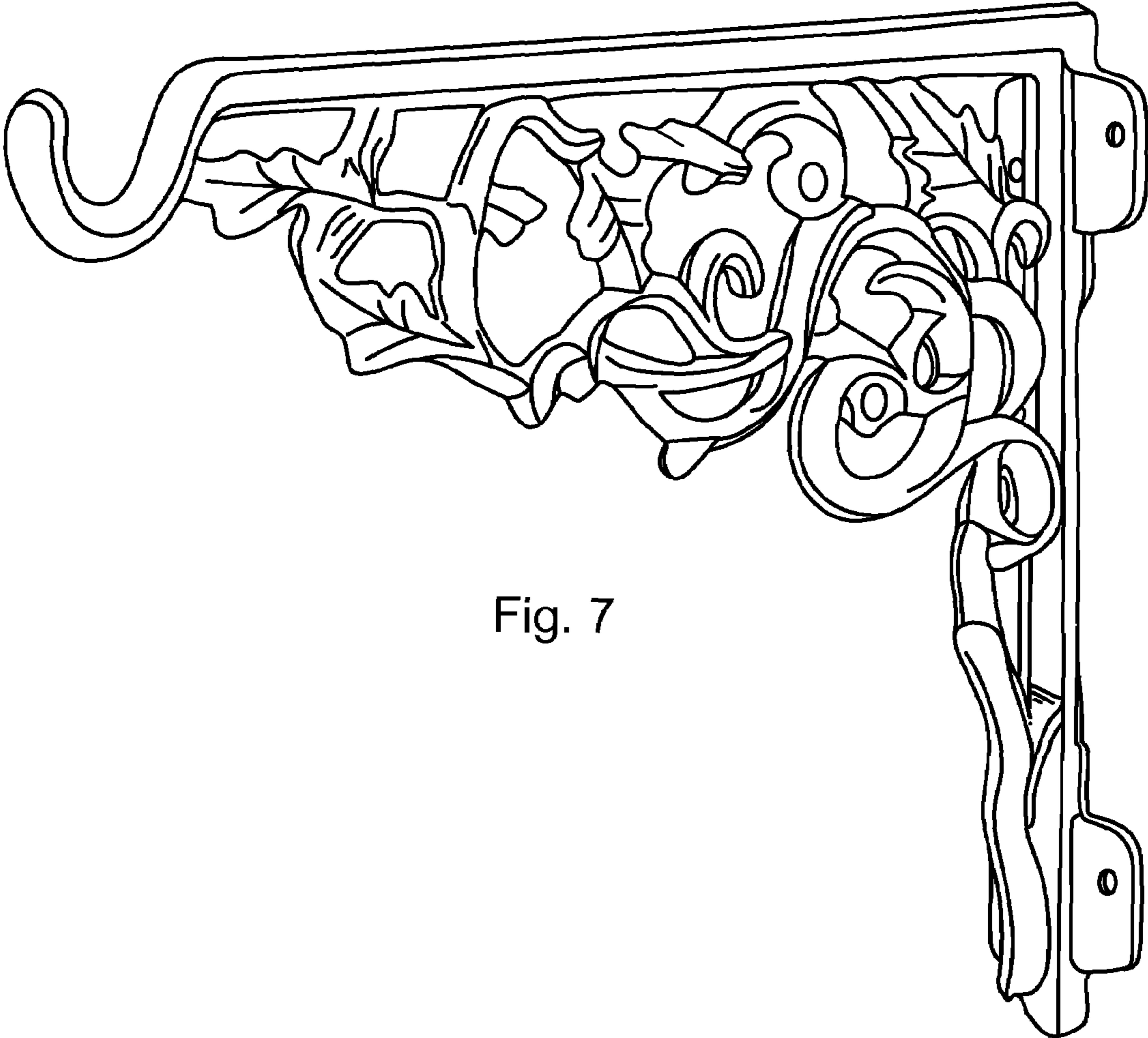


Fig. 7