



US00D553962S

(12) **United States Design Patent**
Rittfeldt et al.

(10) **Patent No.:** **US D553,962 S**

(45) **Date of Patent:** **** Oct. 30, 2007**

- (54) **WHEEL FOR A CHAIR BASE**
- (75) Inventors: **Marten Rittfeldt**, Skanor (SE); **Oskar Ponnert**, Malmö (SE)
- (73) Assignee: **Ergonomiprodukter I Bodafors AB**, Nassjo (SE)

D308,161 S *	5/1990	Daniels	D8/375
5,215,320 A *	6/1993	Chen	16/35 R
D456,697 S *	5/2002	Holbrook	D8/375
D457,809 S *	5/2002	Holbrook	D8/375
D465,725 S *	11/2002	Holbrook	D8/375
D470,748 S *	2/2003	Tsai	D8/375
D505,316 S *	5/2005	Topel	D8/375

(**) Term: **14 Years**

(21) Appl. No.: **29/270,638**

(22) Filed: **Dec. 29, 2006**

(30) **Foreign Application Priority Data**

Jun. 29, 2006 (EM) 000552617

(51) **LOC (8) Cl.** **08-05**

(52) **U.S. Cl.** **D8/375**

(58) **Field of Classification Search** D6/366,
D6/374, 495; D8/374, 375; D12/133; 16/18 CG,
16/18 R, 27, 29, 34, 35 R, 38, 45-47; 190/18 A;
248/129

See application file for complete search history.

(56) **References Cited**

U.S. PATENT DOCUMENTS

604,520 A *	5/1898	Dorsey	16/45
2,073,066 A *	3/1937	Kalberer	16/18 R
3,997,938 A *	12/1976	Pinaire et al.	16/45

* cited by examiner

Primary Examiner—Mimosa De

(74) *Attorney, Agent, or Firm*—Birch, Stewart, Kolasch & Birch, LLP

(57) **CLAIM**

The ornamental design for a wheel for a chair base, as shown and described.

DESCRIPTION

FIG. 1 is a front, left perspective view of a wheel for a chair base;

FIG. 2 is a rear elevational view thereof;

FIG. 3 is a right side view thereof;

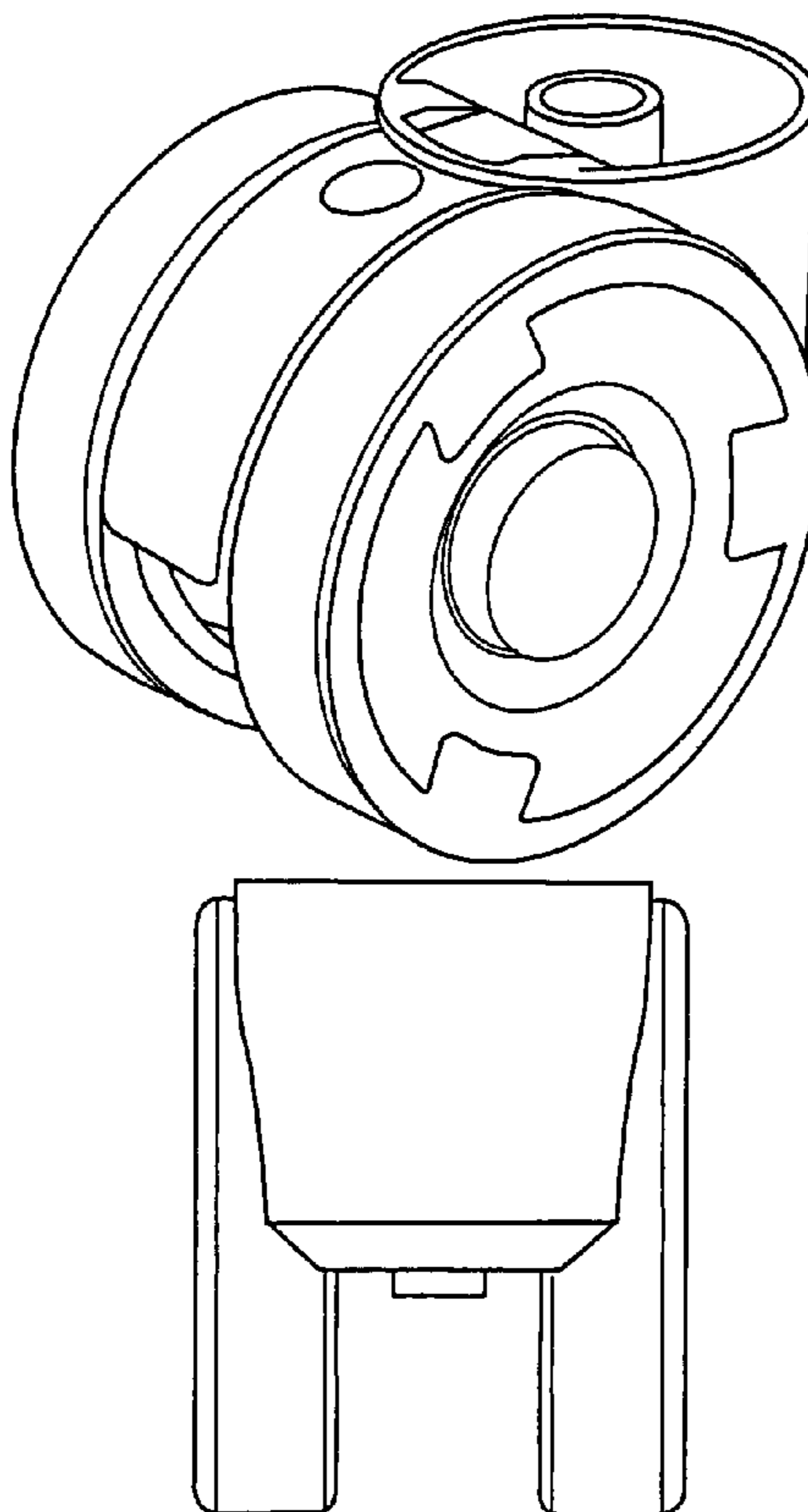
FIG. 4 is a top plan view thereof;

FIG. 5 is a front elevational view thereof;

FIG. 6 is a left side view thereof; and,

FIG. 7 is a bottom plan view thereof.

1 Claim, 3 Drawing Sheets



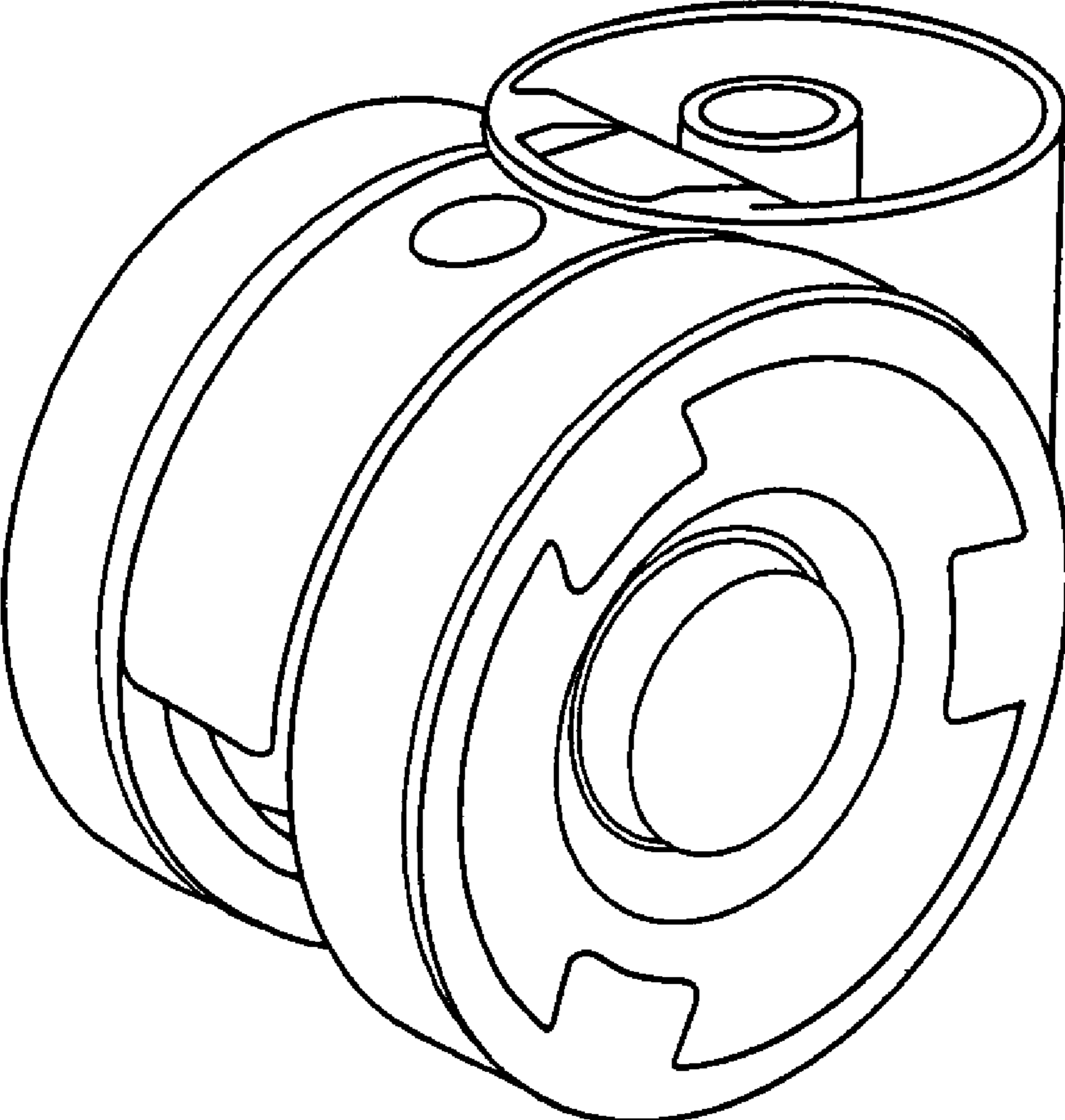


FIG. 1

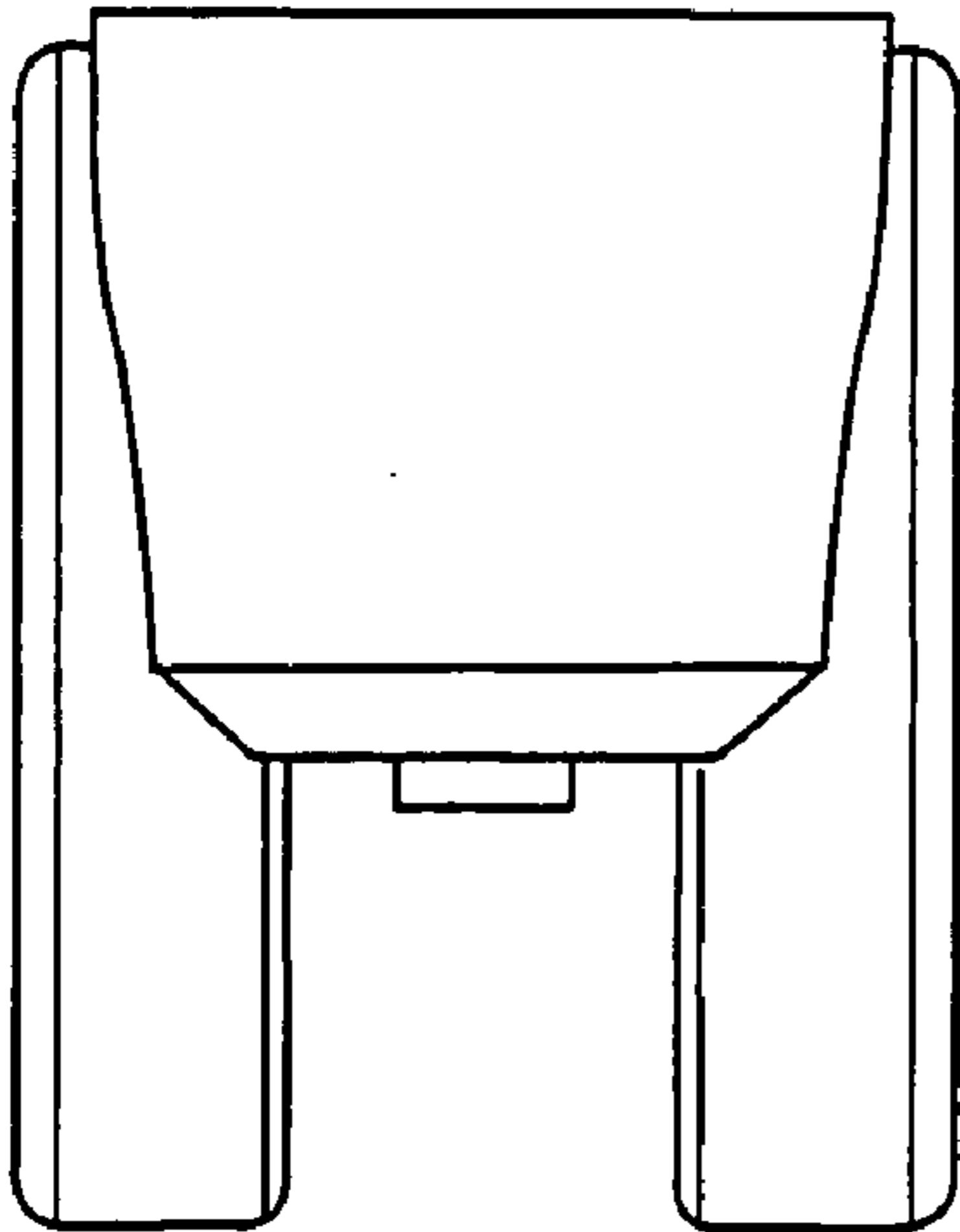


FIG. 2

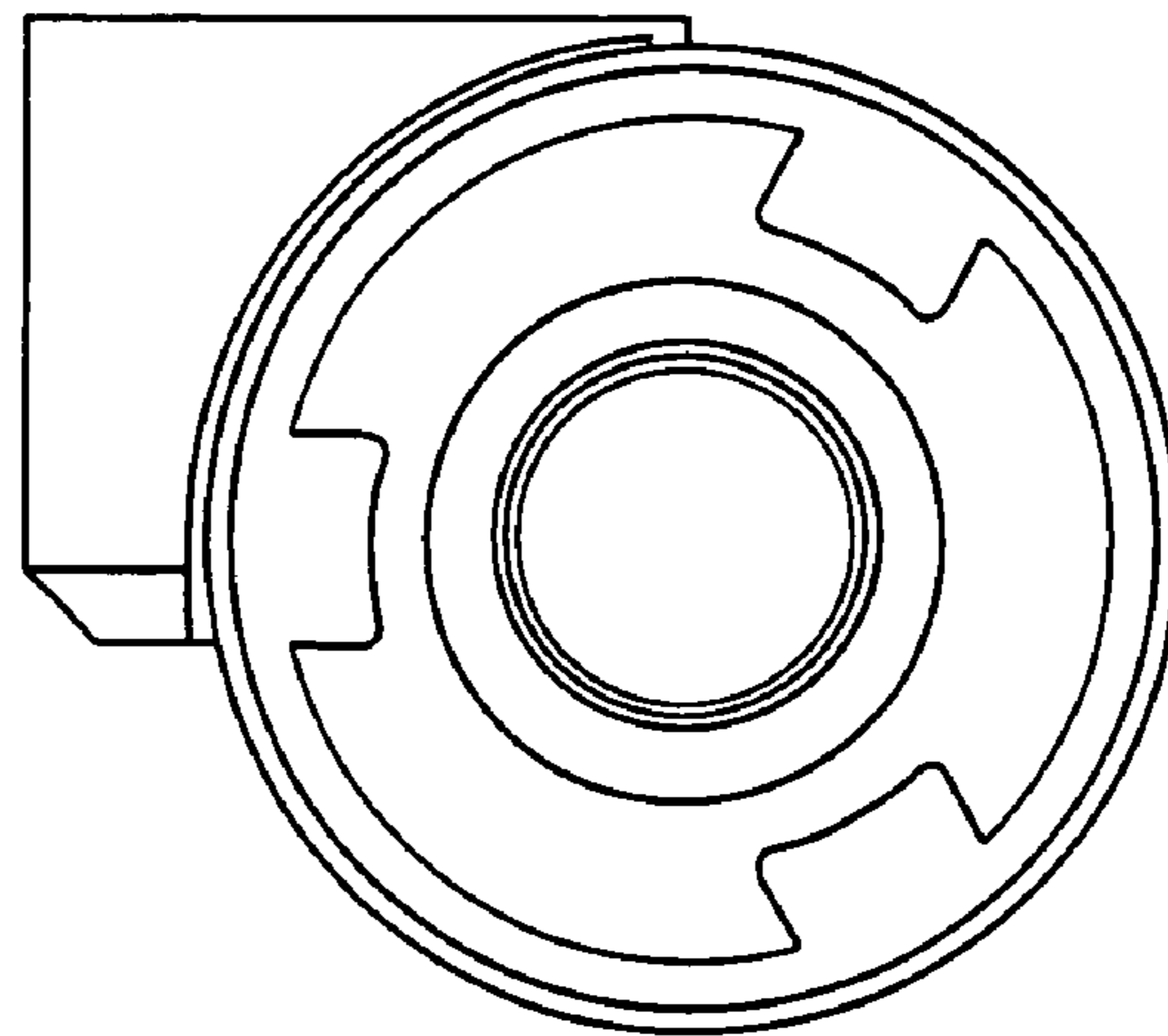


FIG. 3

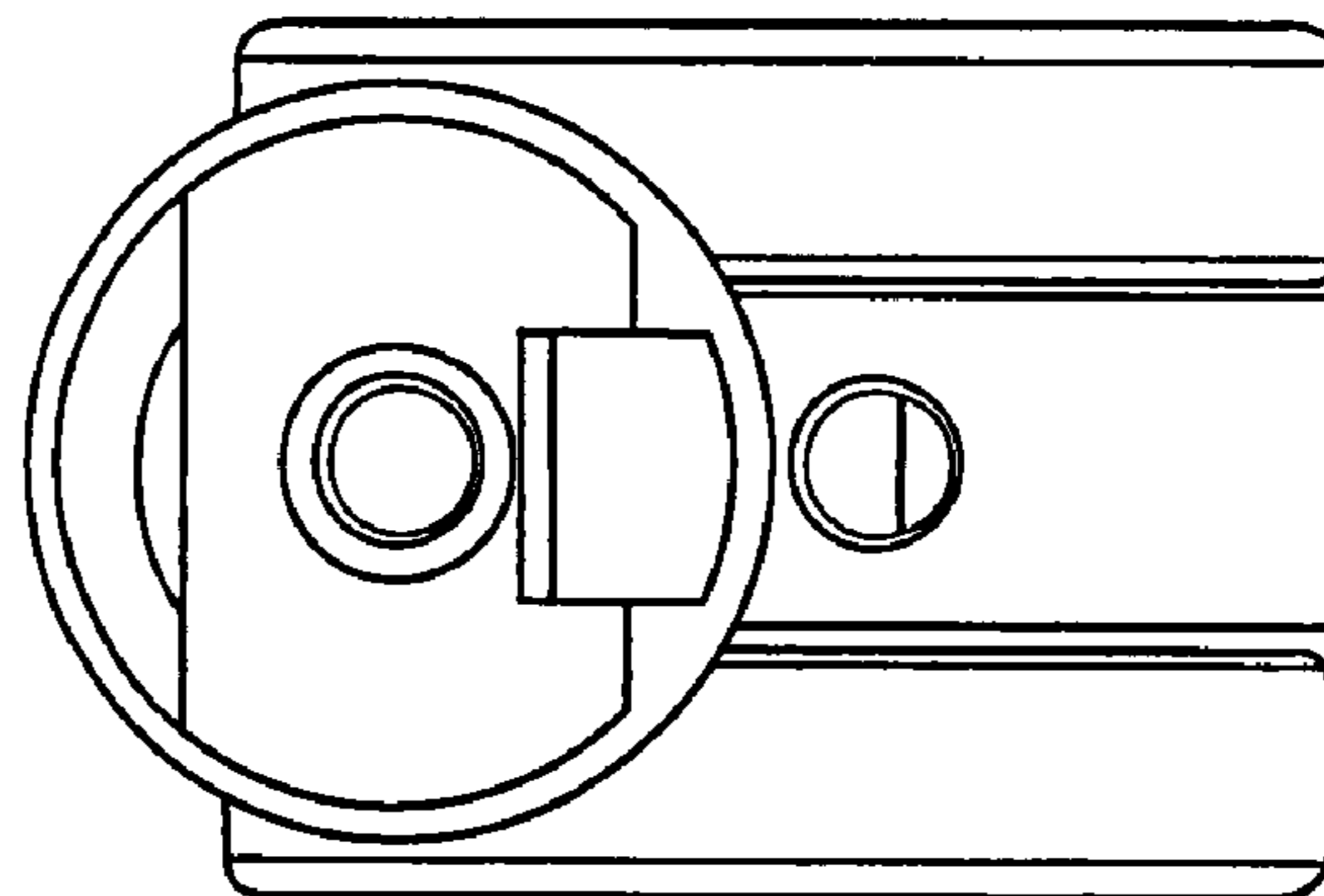


FIG. 4

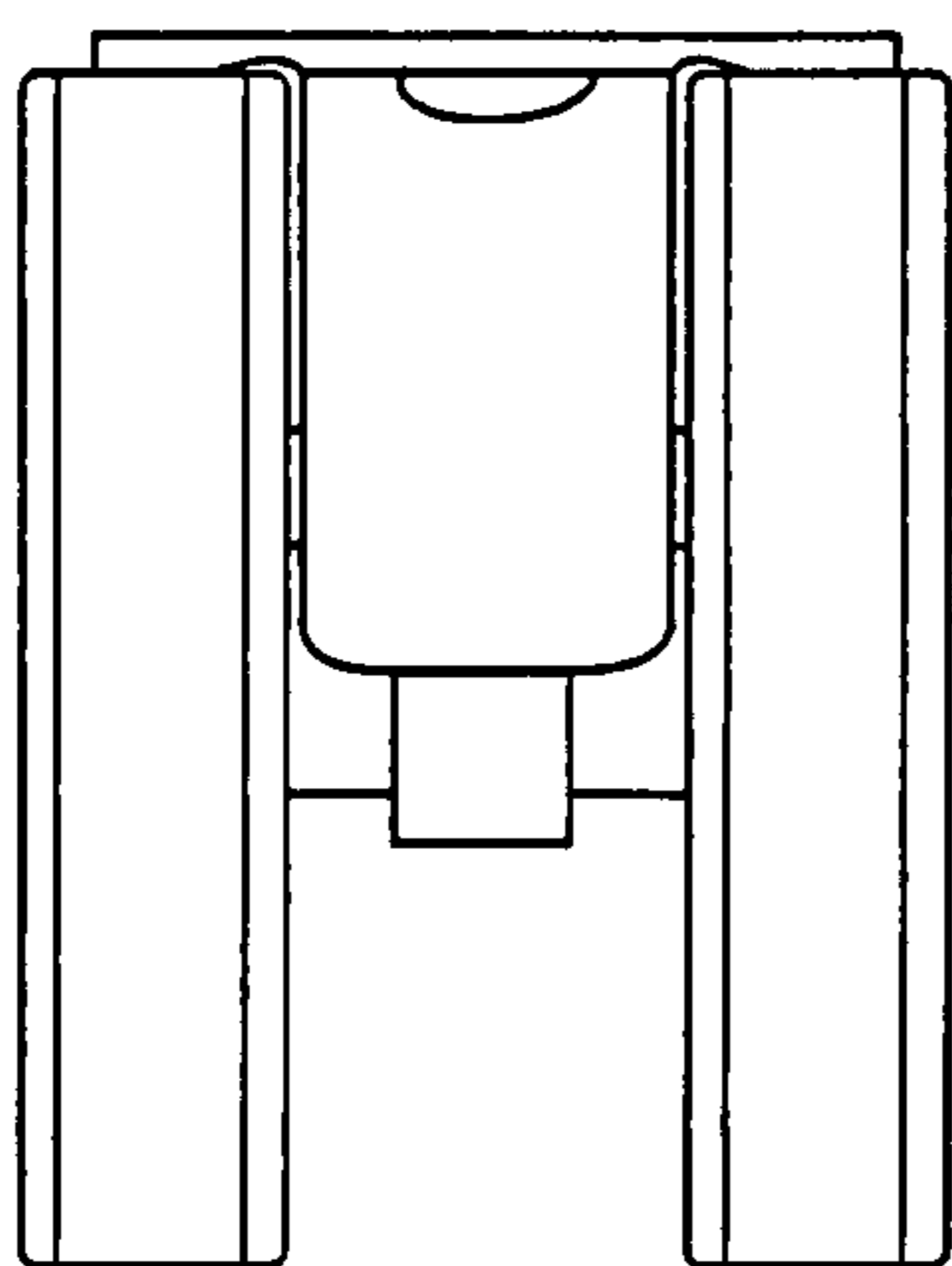


FIG. 5

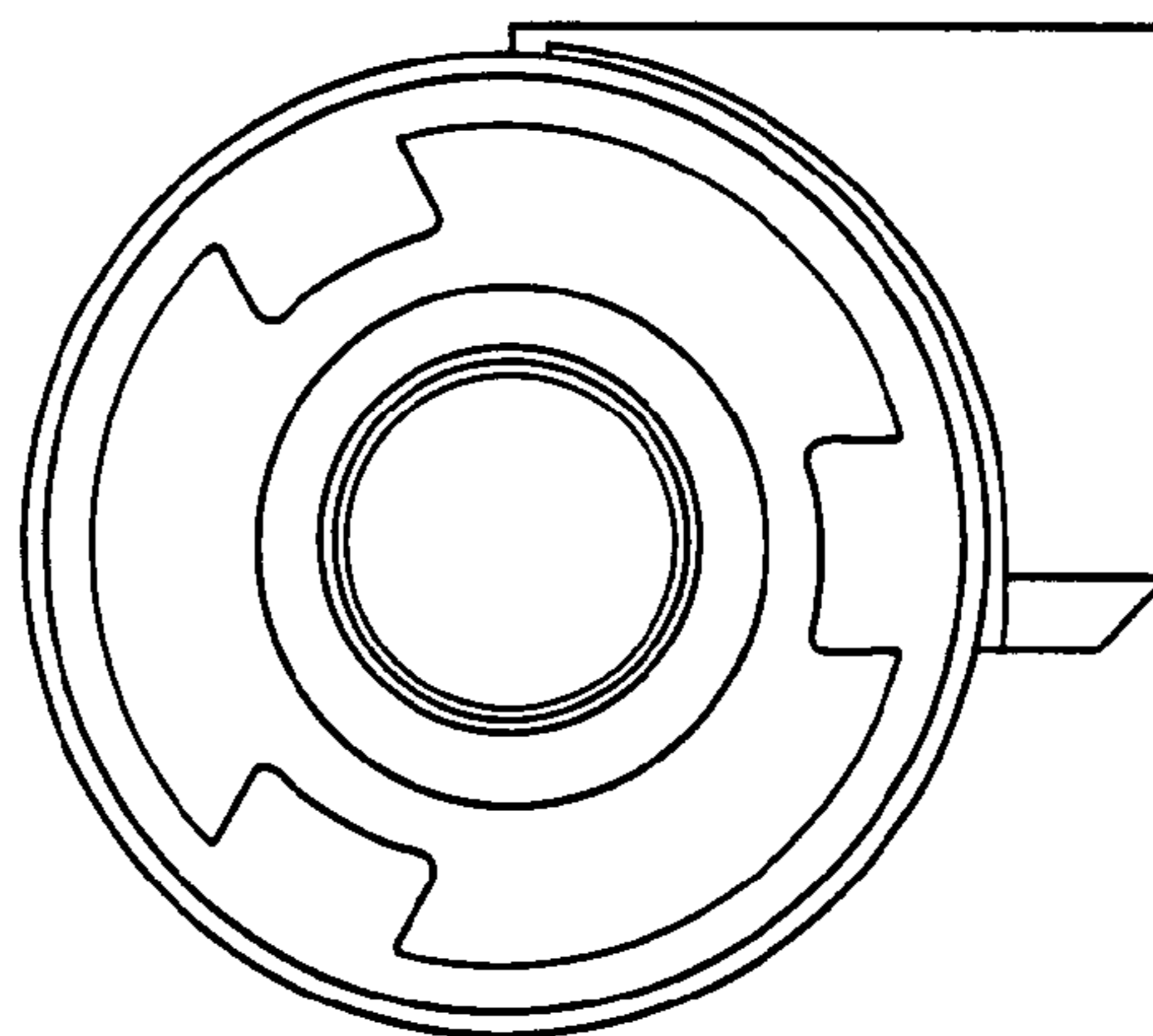


FIG. 6

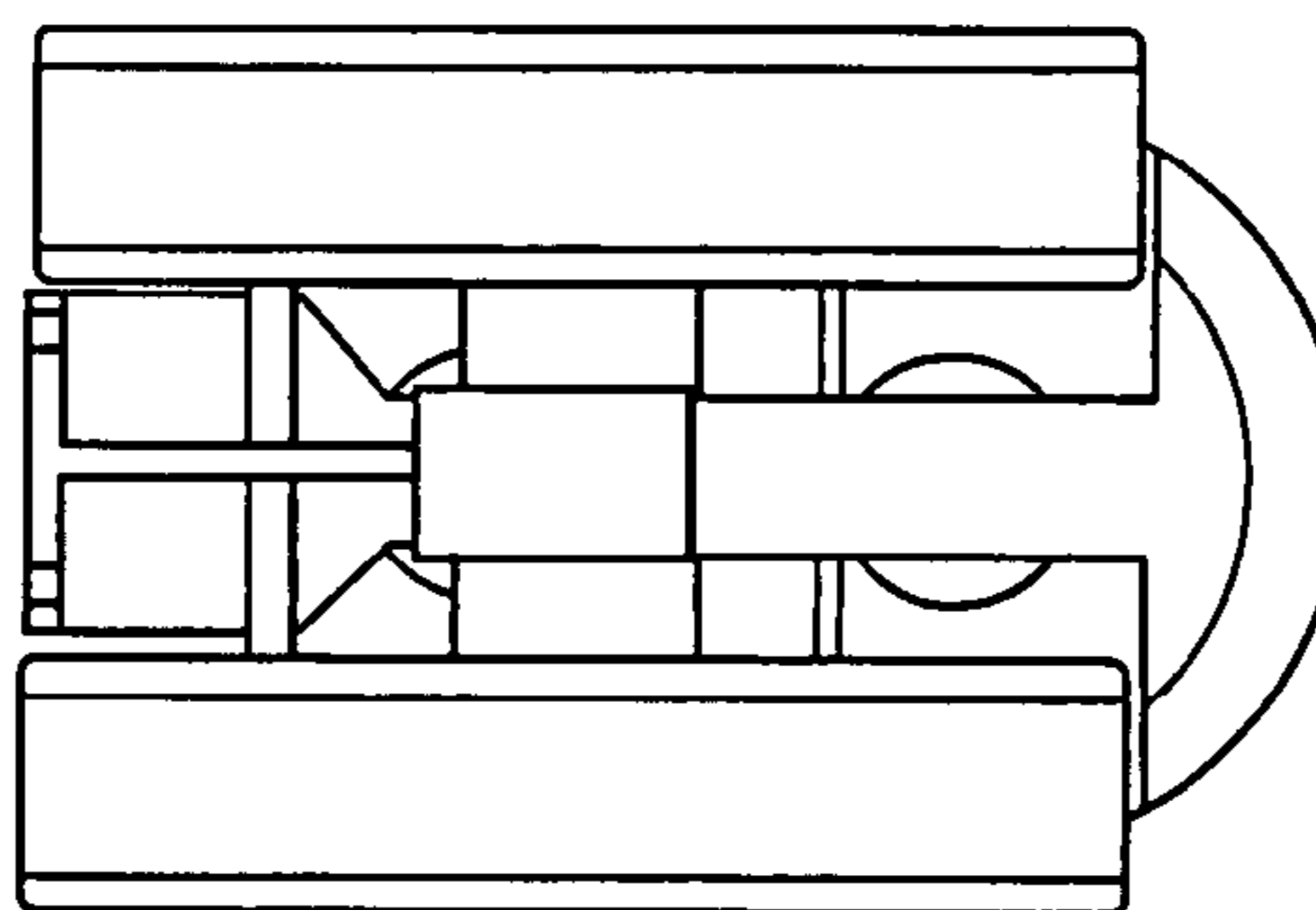


FIG. 7