



US00D553961S

(12) **United States Design Patent** (10) **Patent No.:** **US D553,961 S**
Sato (45) **Date of Patent:** **** Oct. 30, 2007**

(54) **HOLDER FOR FIXING A MIRROR**

(75) Inventor: **Genichi Sato**, Tokyo (JP)

(73) Assignee: **Sugatsune Kogyo Co., Ltd.**, Tokyo (JP)

(**) Term: **14 Years**

(21) Appl. No.: **29/239,570**

(22) Filed: **Oct. 3, 2005**

(30) **Foreign Application Priority Data**

Apr. 8, 2005 (JP) 2005-010626

(51) **LOC (8) Cl.** **08-05**

(52) **U.S. Cl.** **D8/373**

(58) **Field of Classification Search** D8/14
See application file for complete search history.

(56) **References Cited**

U.S. PATENT DOCUMENTS

D488,202 S * 4/2004 Jaffe D21/756

* cited by examiner

Primary Examiner—Holly H. Baynham
(74) *Attorney, Agent, or Firm*—Bacon & Thomas, PLLC

(57) **CLAIM**

The ornamental design for a holder for fixing a mirror, as shown and described.

DESCRIPTION

FIG. 1 is a plan view of a holder for fixing a mirror embodying my new design;

FIG. 2 is a rear view thereof;

FIG. 3 is a front view thereof;

FIG. 4 is a bottom view thereof;

FIG. 5 is a right side view thereof;

FIG. 6 is a perspective view thereof; and,

FIG. 7 is an environmental view thereof.

The broken line showing of the mirror in FIG. 7 is for the purpose of illustrating environmental structure and forms no part of the claimed design.

1 Claim, 2 Drawing Sheets

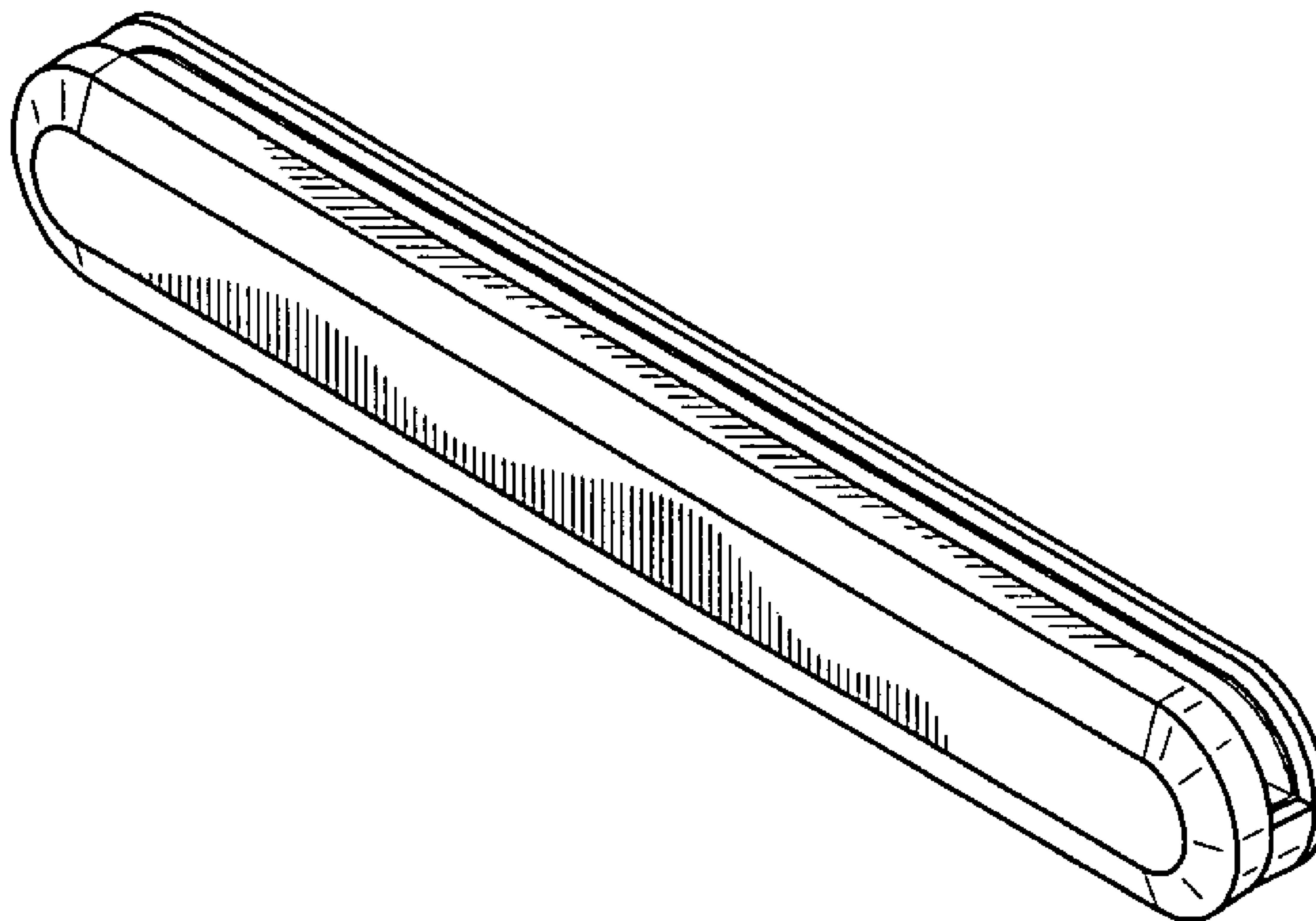


FIG. 1

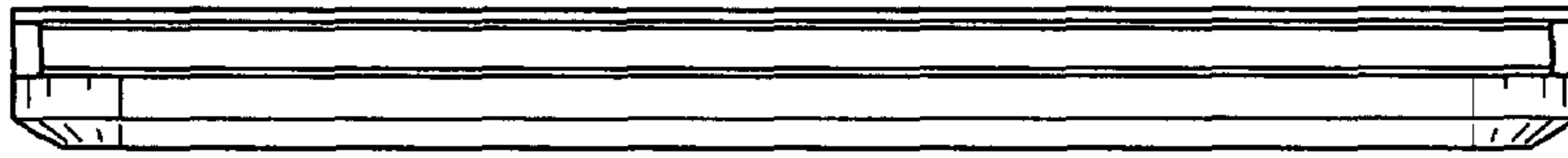


FIG. 2

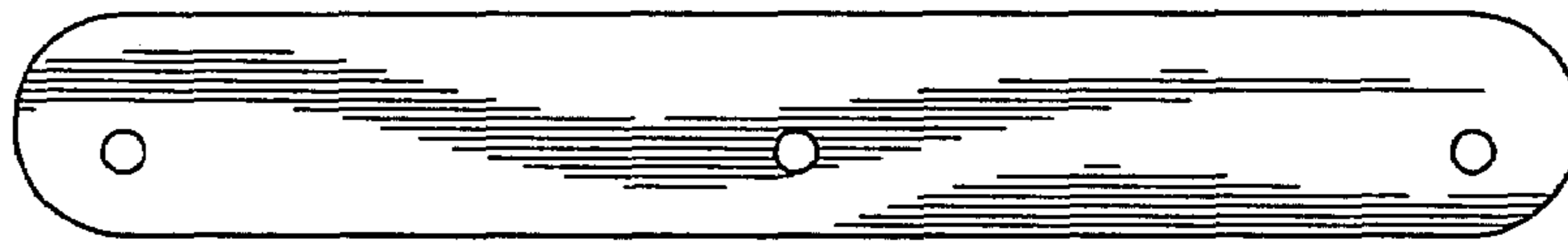


FIG. 3

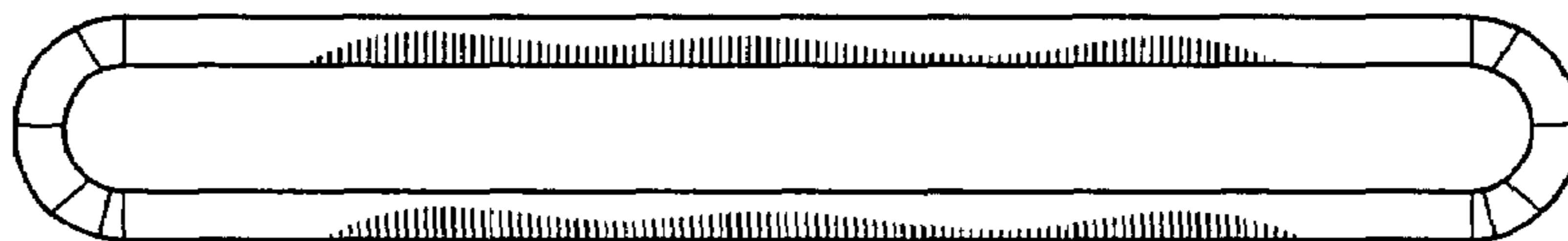


FIG. 4

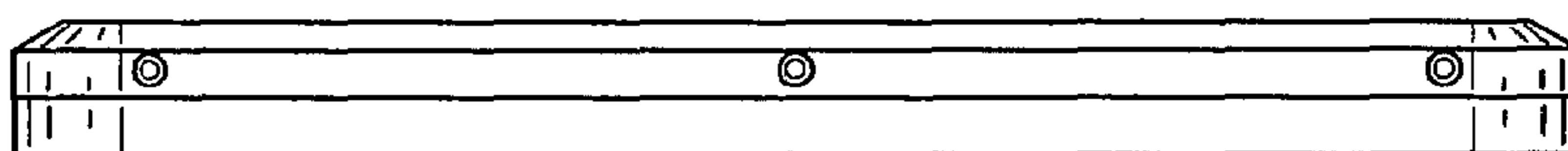


FIG. 5

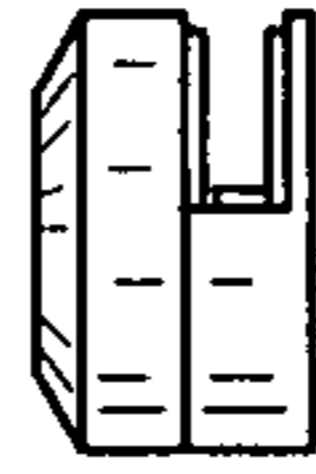


FIG. 6

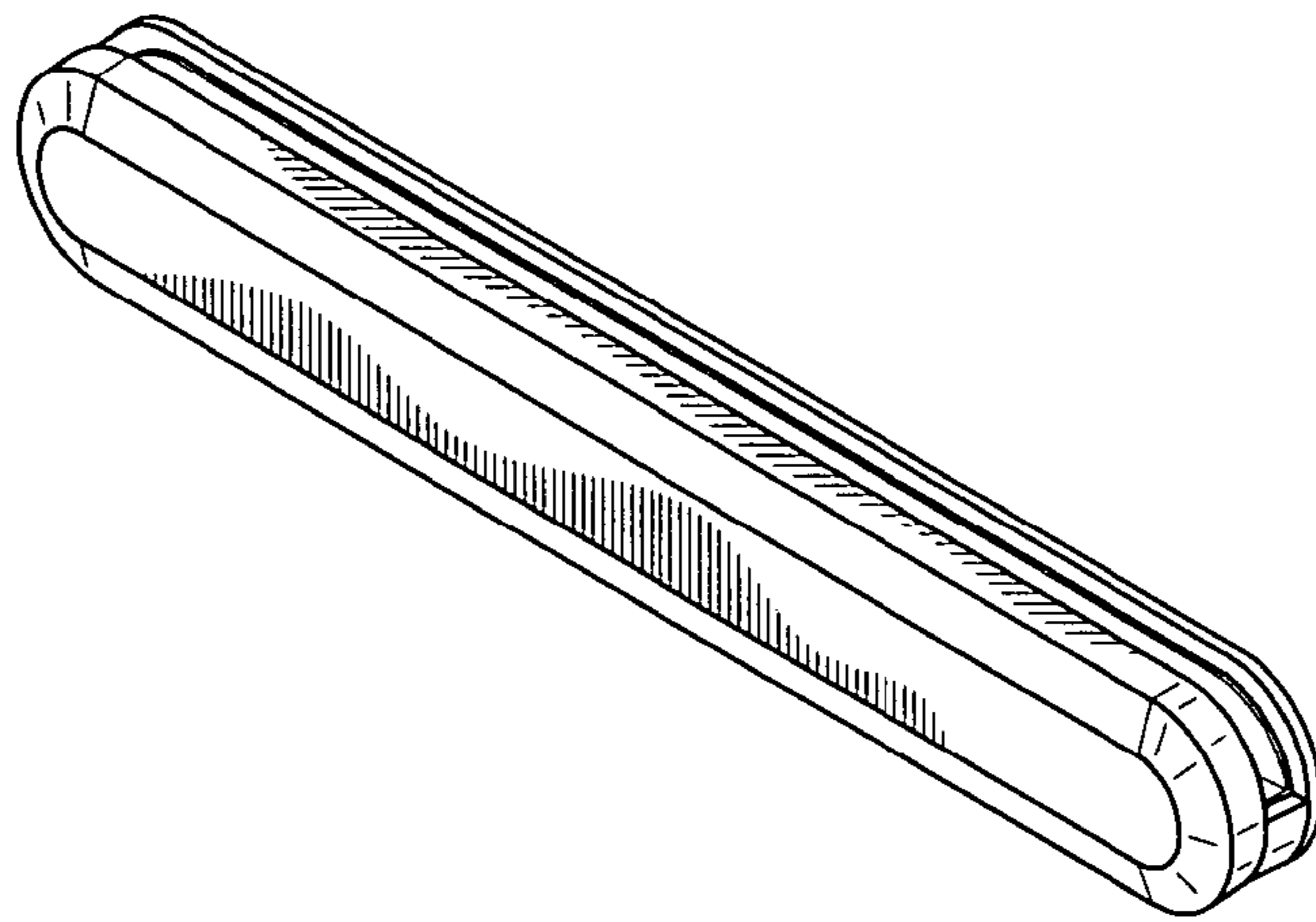


FIG. 7

