



US00D553960S

(12) **United States Design Patent**
Schmidt

(10) **Patent No.:** **US D553,960 S**

(45) **Date of Patent:** **** Oct. 30, 2007**

(54) **TRADITIONAL STYLE HOOK AND ASSEMBLY**

(75) Inventor: **George Schmidt**, Douglaston, NY (US)

(73) Assignee: **MSA Products, Inc.**, Nyack, NY (US)

(**) Term: **14 Years**

(21) Appl. No.: **29/234,082**

(22) Filed: **Jul. 13, 2005**

(51) **LOC (8) Cl.** **08-05**

(52) **U.S. Cl.** **D8/372**

(58) **Field of Classification Search** D8/372;
211/106.01

See application file for complete search history.

(56) **References Cited**

U.S. PATENT DOCUMENTS

D239,365 S *	3/1976	Havark	D8/372
4,372,450 A *	2/1983	Licari et al.	211/106.01
D466,796 S *	12/2002	Lacey	D8/372
D472,134 S *	3/2003	Goodman et al.	D8/372
D494,048 S *	8/2004	Goodman et al.	D8/372

* cited by examiner

Primary Examiner—Holly H. Baynham
(74) *Attorney, Agent, or Firm*—Gerald E. Hespos; Anthony J. Casella

(57) **CLAIM**

The ornamental design of a traditional style hook and assembly, as shown and described.

DESCRIPTION

FIG. 1 is a perspective view of a traditional style hook assembly in accordance with my design;

FIG. 2 is a front elevational view thereof;

FIG. 3 is a top plan view thereof;

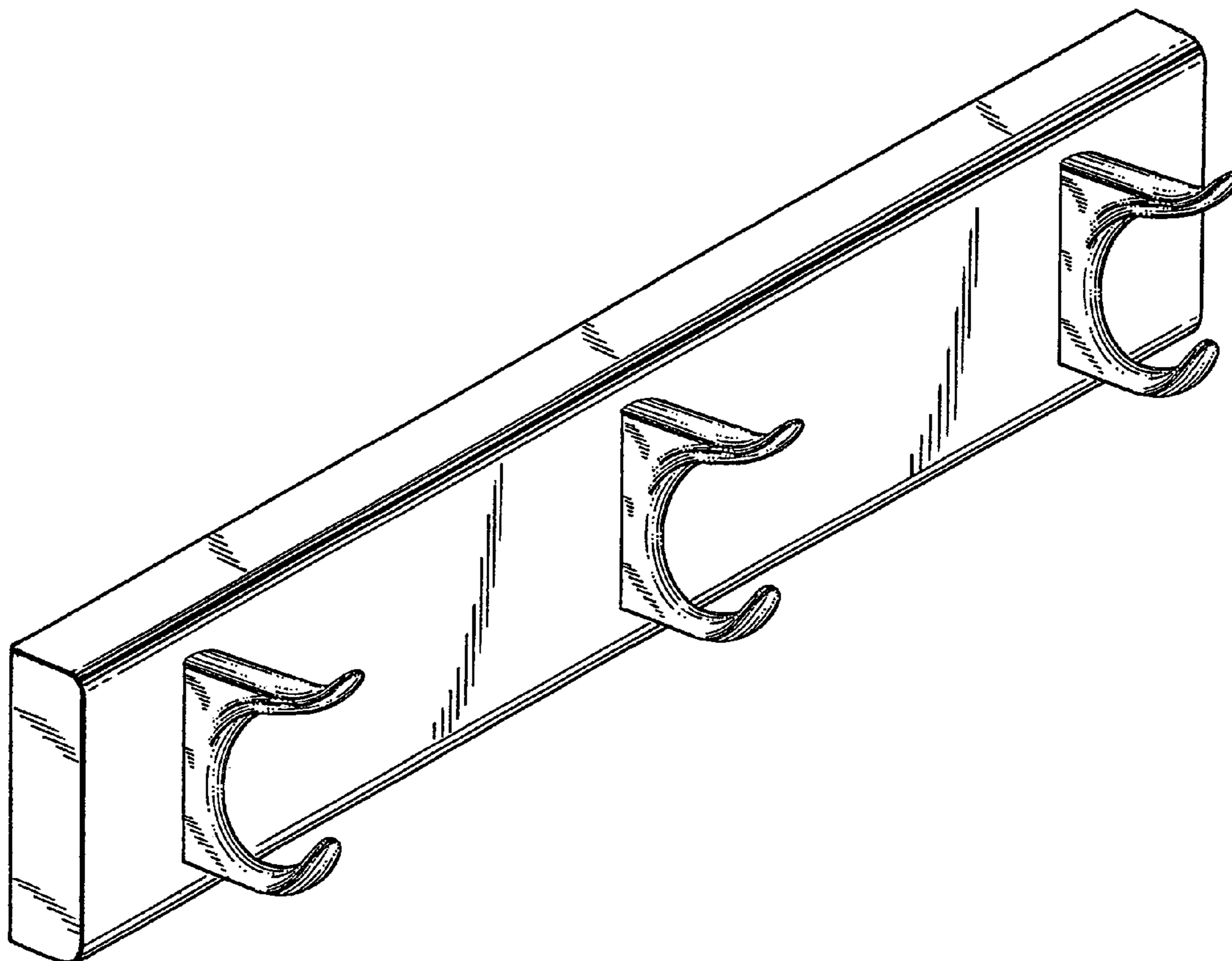
FIG. 4 is a side elevational view thereof as viewed from the right side of FIGS. 2 and 3, with the left side elevational view being a mirror image thereof;

FIG. 5 is a rear elevational view thereof; and,

FIG. 6 is a bottom plan view thereof.

The broken line showing of openings is included for the purpose of illustrating environment and forms no part of the claimed design.

1 Claim, 4 Drawing Sheets



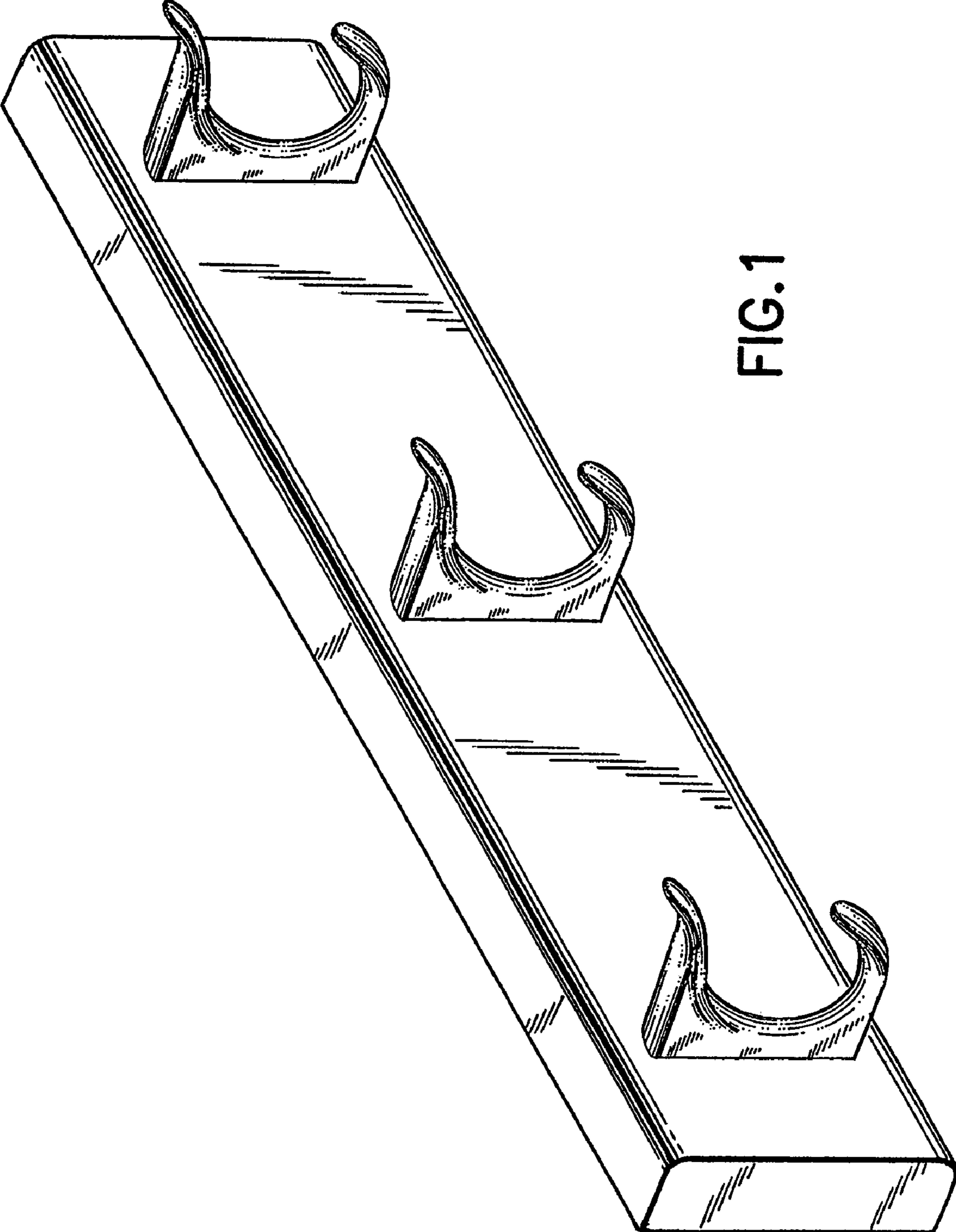


FIG. 1

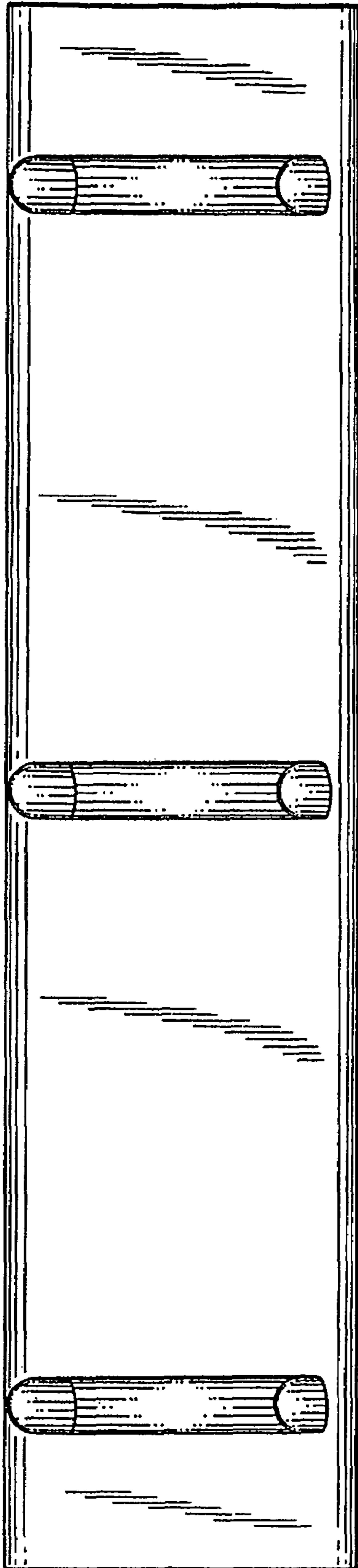


FIG. 2

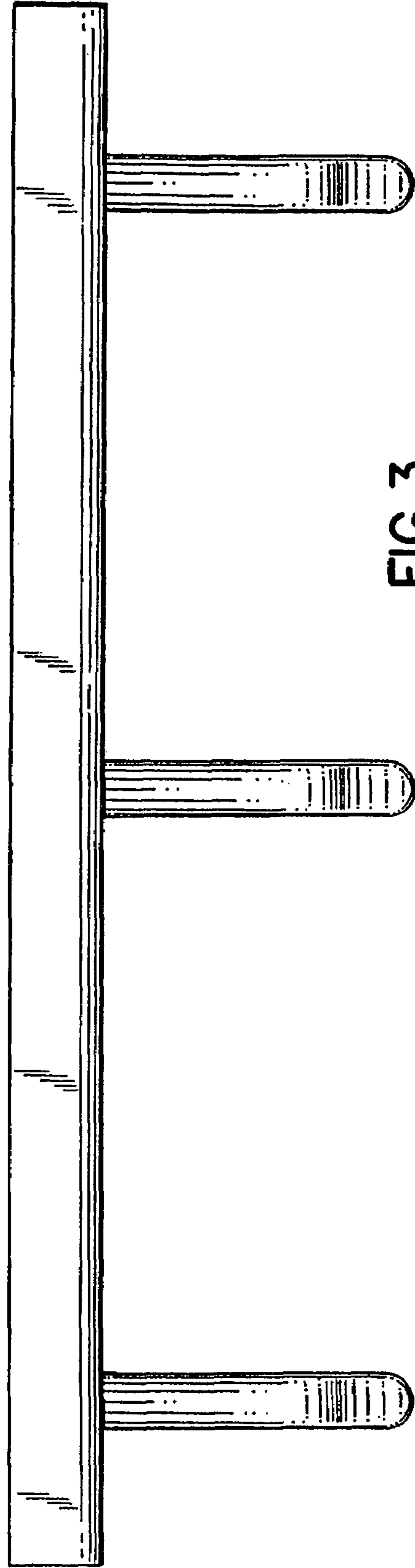


FIG. 3

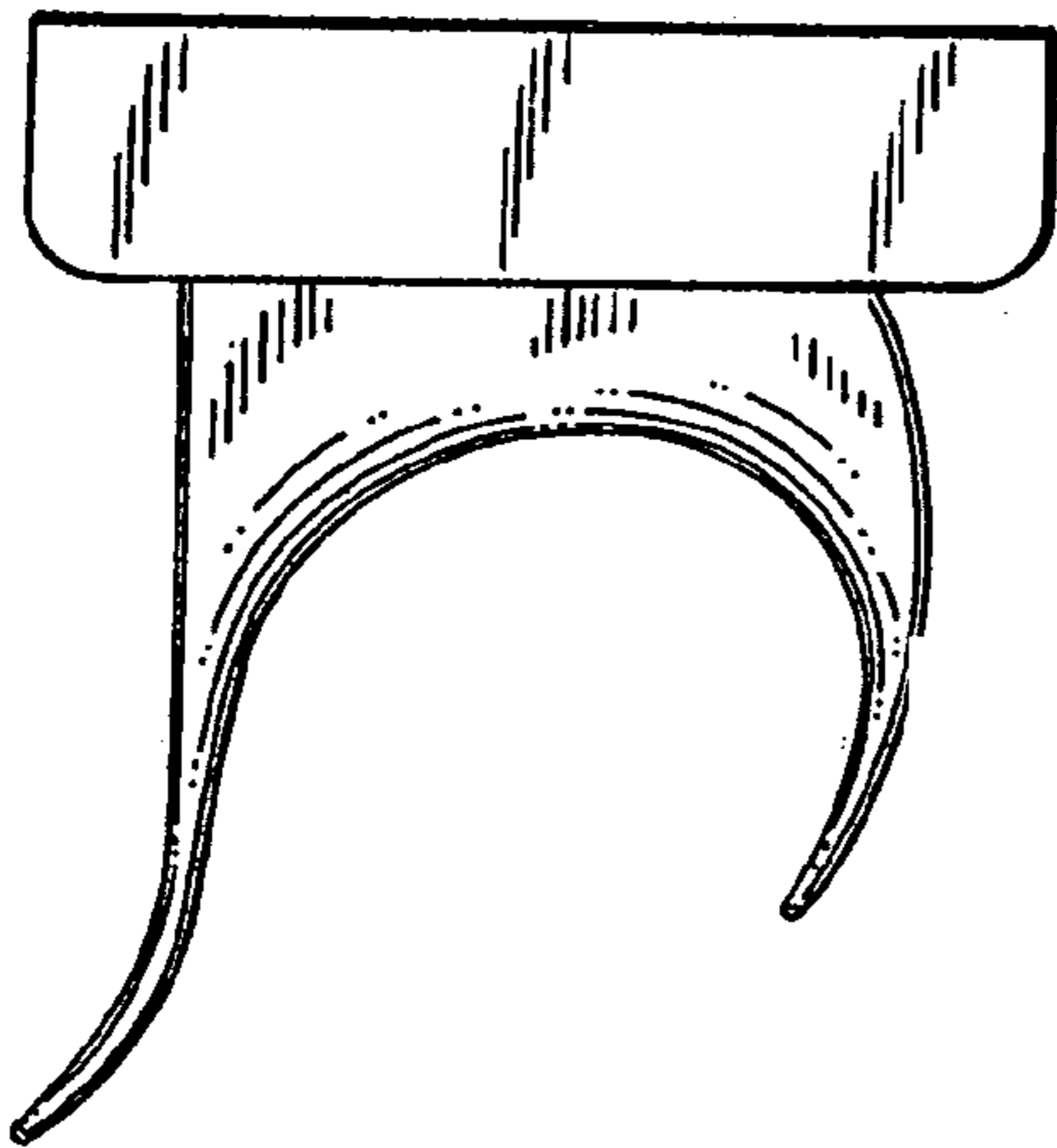


FIG. 4

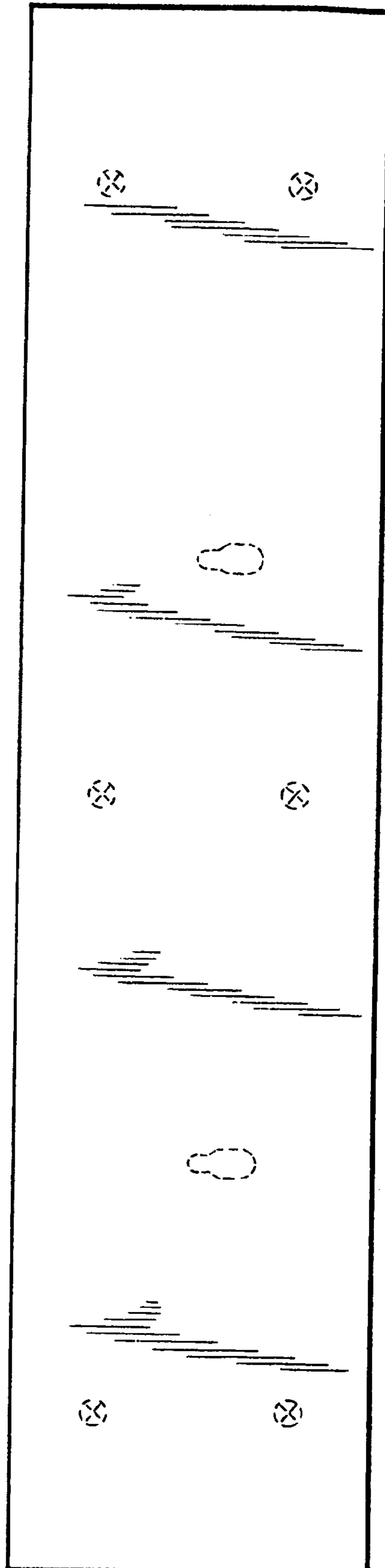


FIG. 5

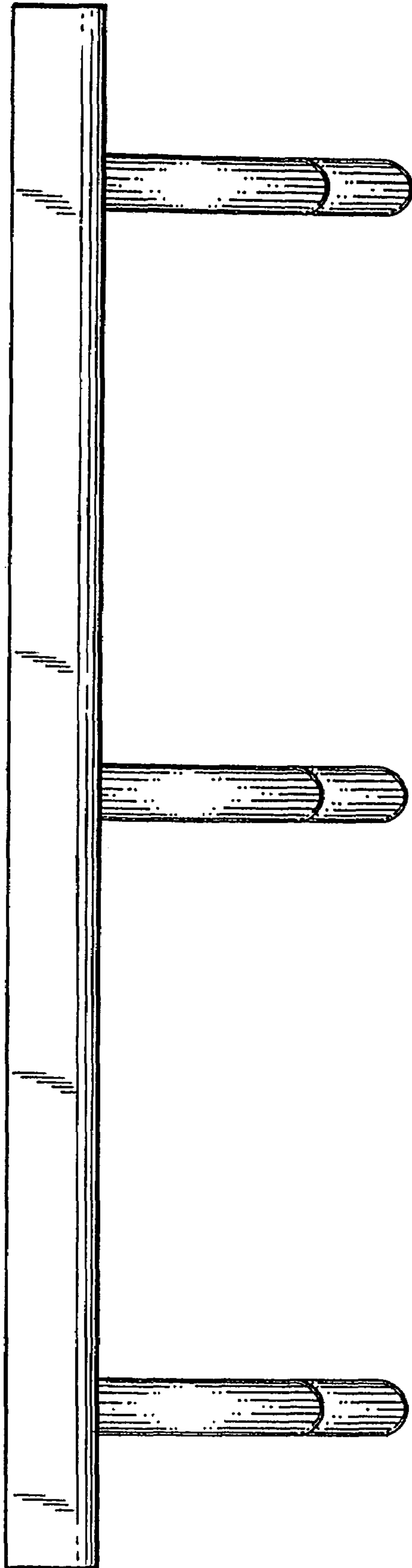


FIG.6