



US00D553959S

(12) **United States Design Patent**
Brassard

(10) **Patent No.:** **US D553,959 S**

(45) **Date of Patent:** **** Oct. 30, 2007**

(54) **SINGLE CONNECTOR WINDSHIELD MOUNT**

D487,270 S * 3/2004 Richter D14/447

* cited by examiner

(76) **Inventor:** **Paul Brassard**, 20 La Porte, Arcadia, CA (US) 91006

Primary Examiner—Holly H. Baynham

(74) *Attorney, Agent, or Firm*—James E. Brunton, Esq.

(**) **Term:** **14 Years**

(57) **CLAIM**

(21) **Appl. No.:** **29/253,955**

The ornamental design for “single connector windshield mount,” as shown.

(22) **Filed:** **Feb. 14, 2006**

DESCRIPTION

(51) **LOC (8) Cl.** **08-05**

FIG. 1 is a perspective front view of a “single connector windshield mount” showing my new design;

(52) **U.S. Cl.** **D8/363**

FIG. 2 is a generally perspective rear view thereof;

(58) **Field of Classification Search** D8/355,

FIG. 3 is a front view thereof;

D8/363, 373; D14/451, 434, 25; 248/274.1,

FIG. 4 is a rear view thereof;

248/284.1, 205.8, 160, 206.2

FIG. 5 is a left side view thereof;

See application file for complete search history.

FIG. 6 is a right side view thereof;

(56) **References Cited**

U.S. PATENT DOCUMENTS

FIG. 7 is a top plan view thereof; and,

FIG. 8 is a bottom plan view thereof.

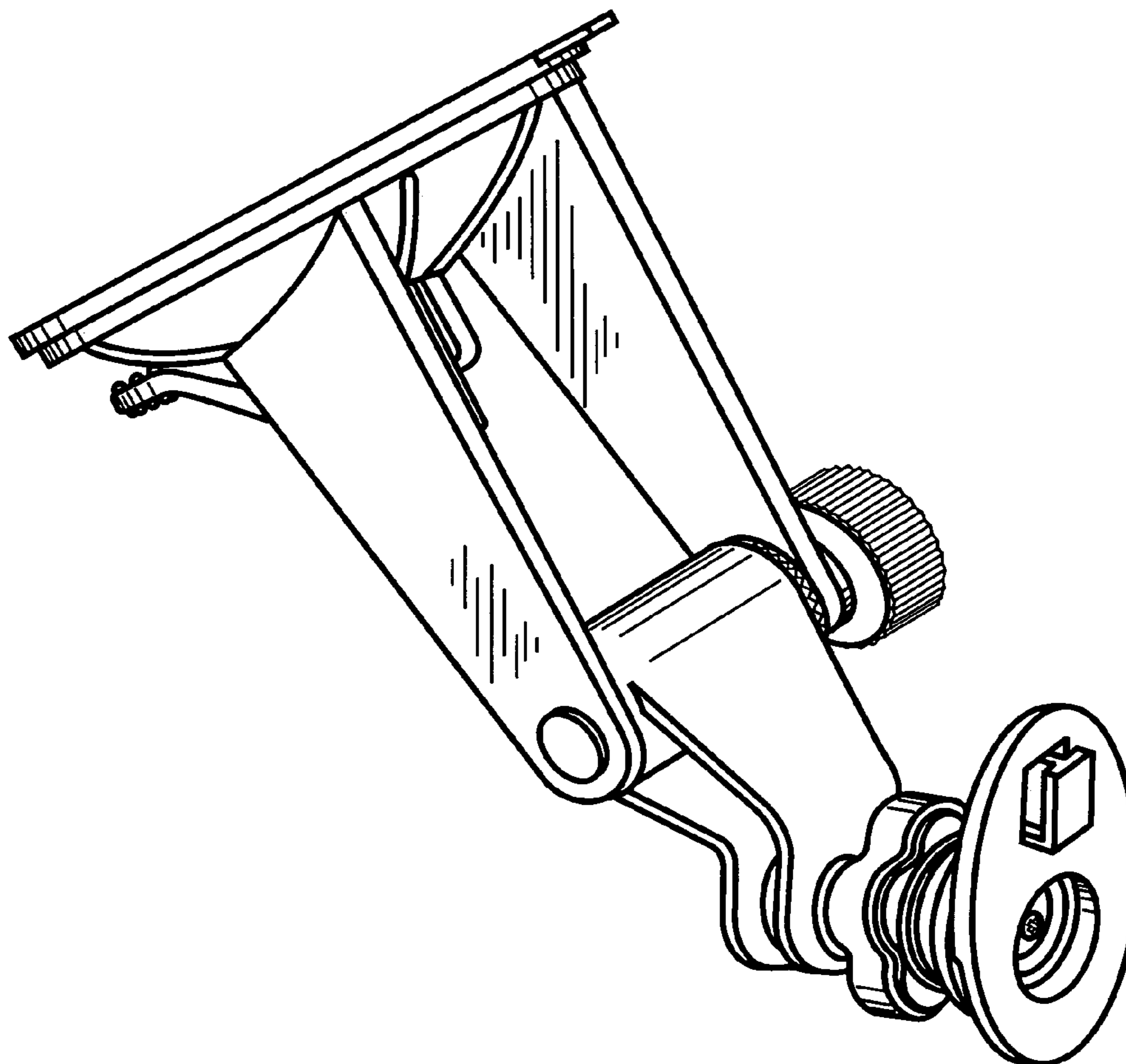
D258,115 S * 2/1981 Piatek D8/373

D269,945 S * 8/1983 Carney D8/355

D337,333 S * 7/1993 Turk D14/251

D410,622 S * 6/1999 Richter D12/425

1 Claim, 5 Drawing Sheets



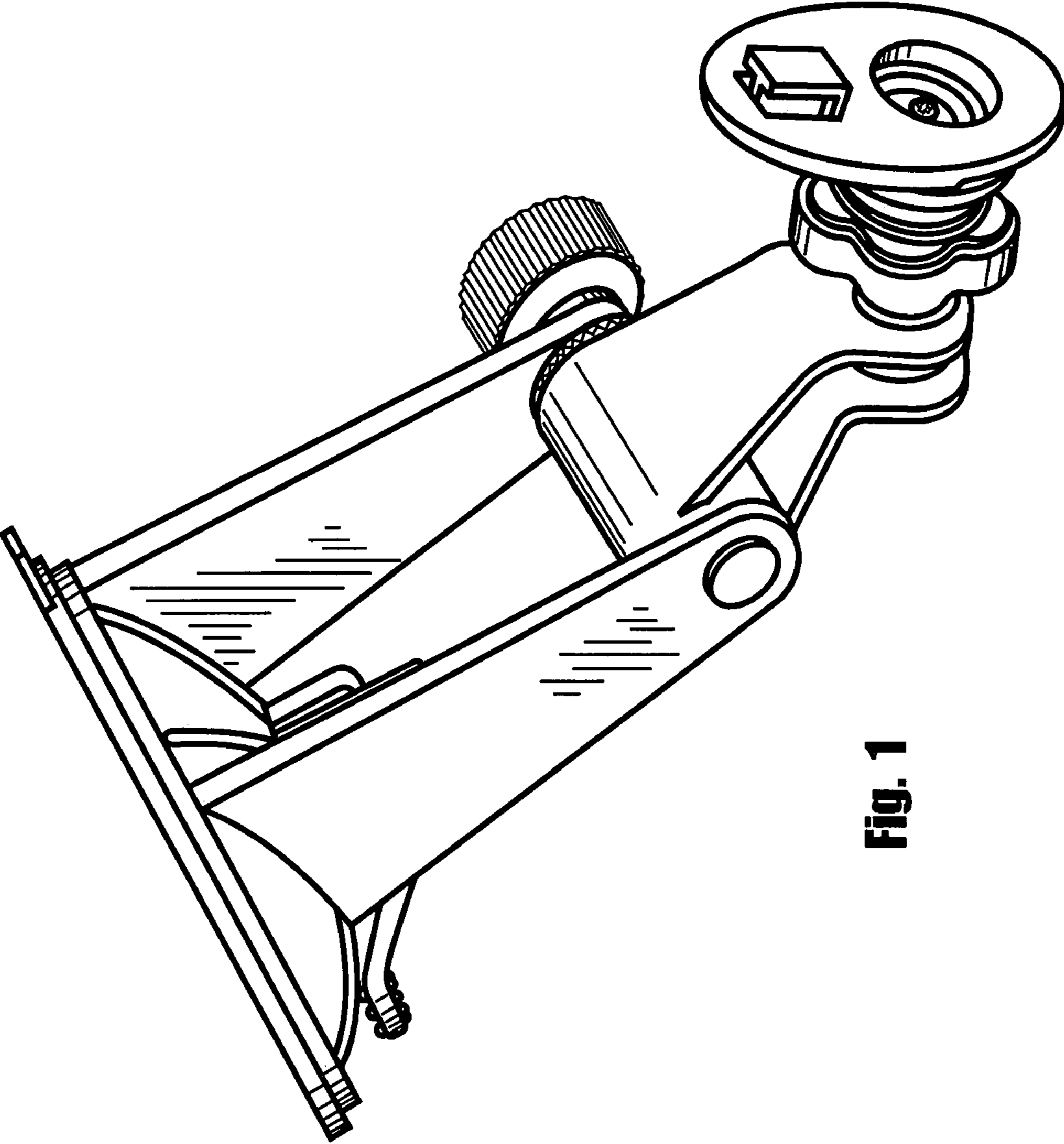


Fig. 1

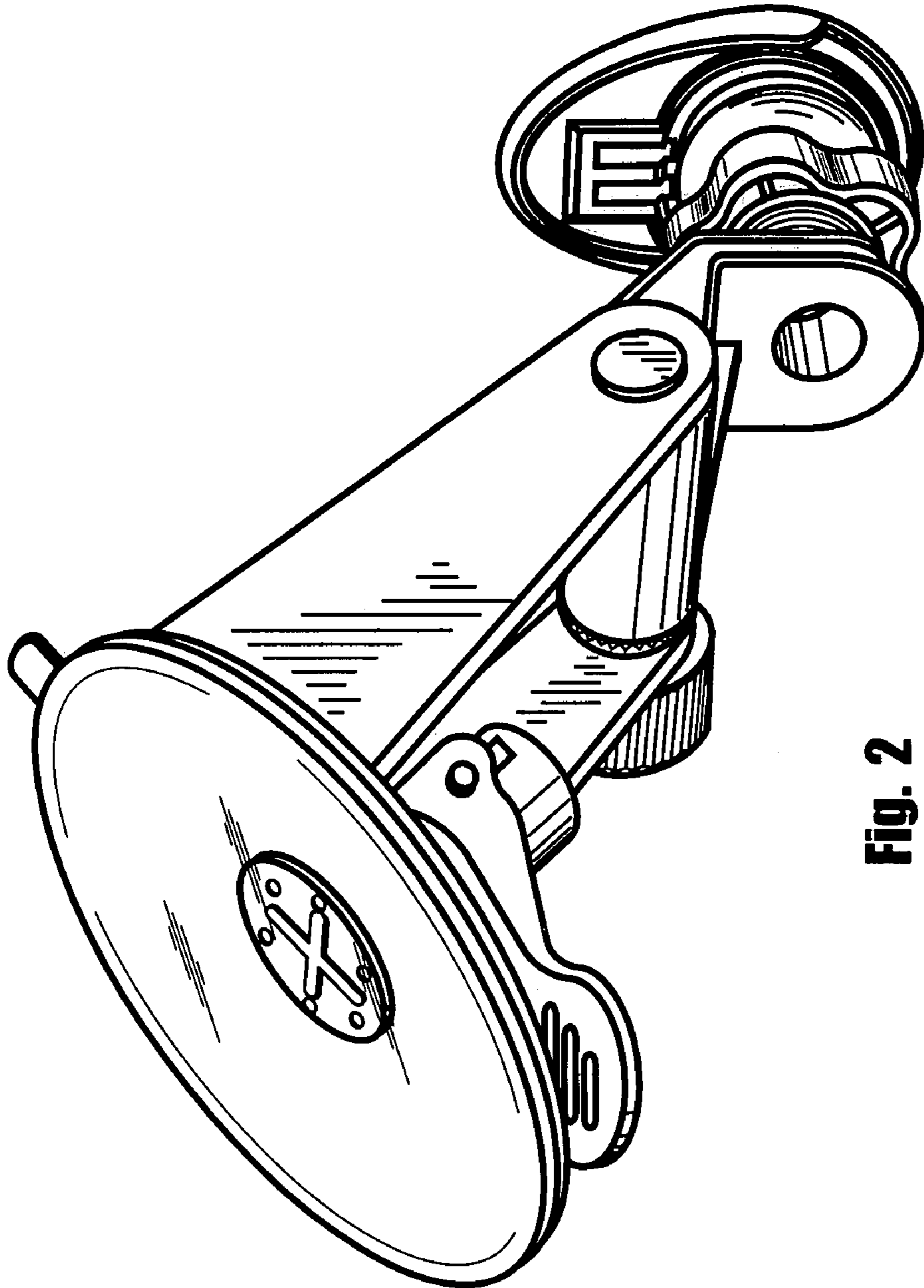


Fig. 2

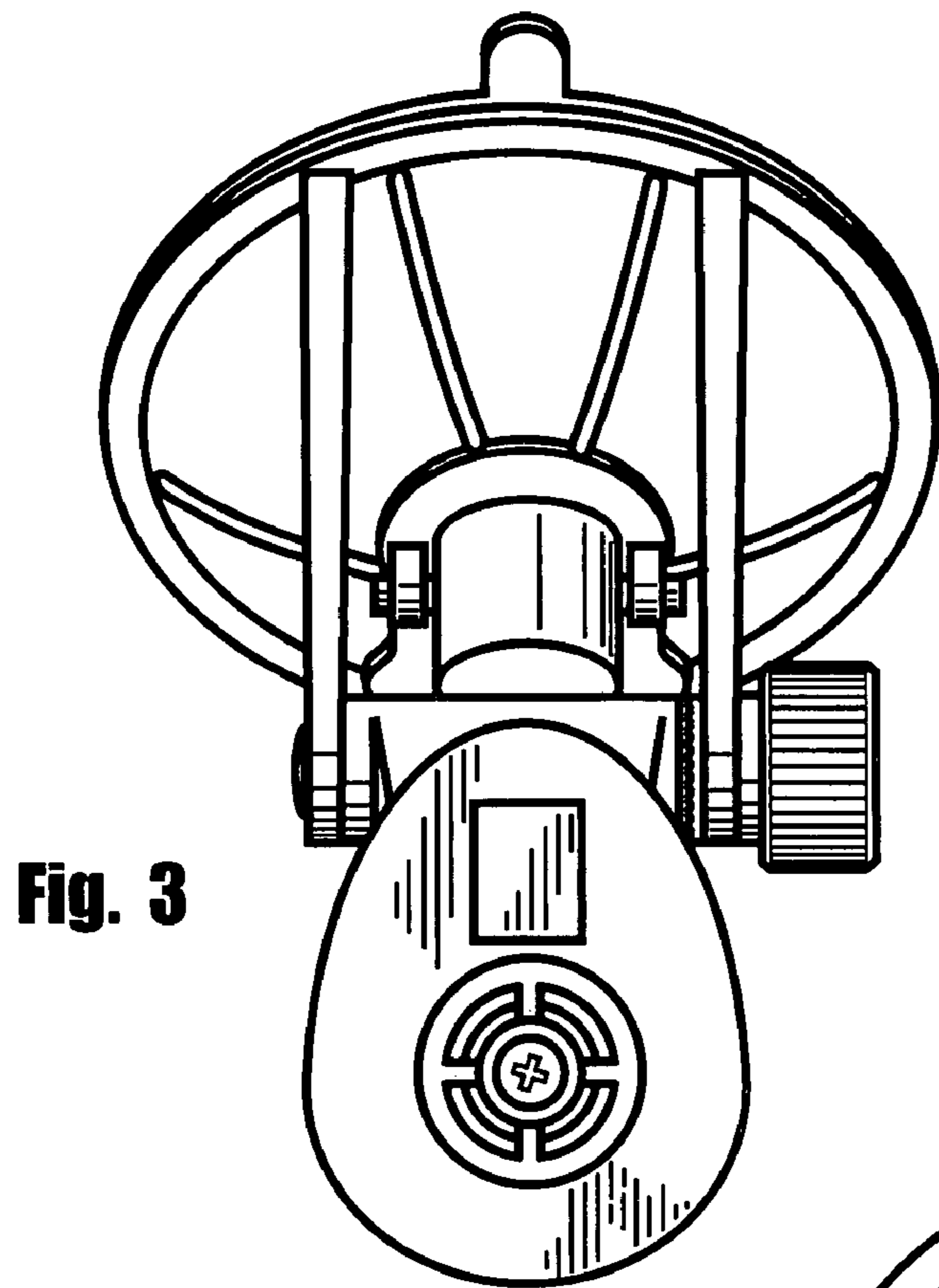


Fig. 3

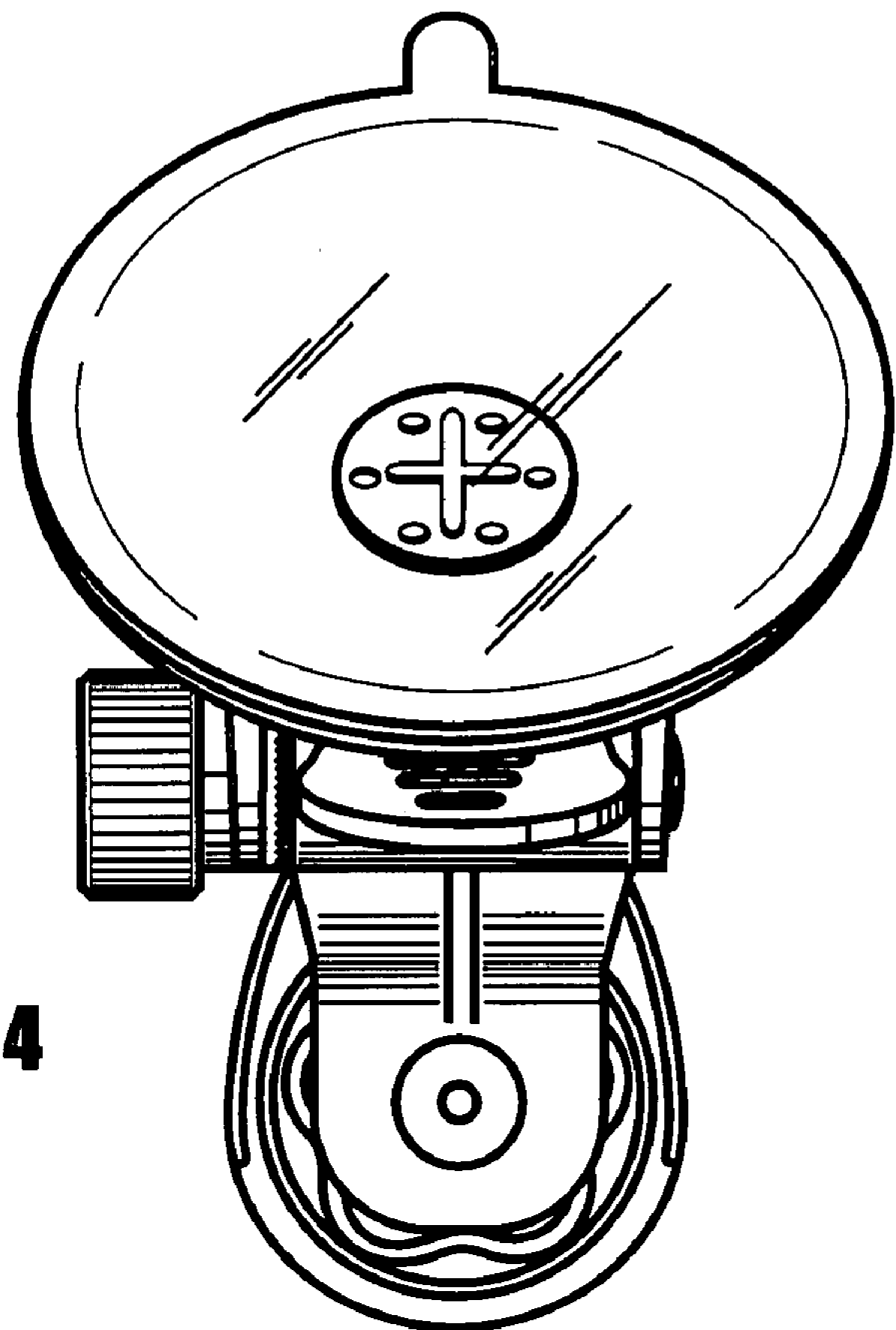


Fig. 4

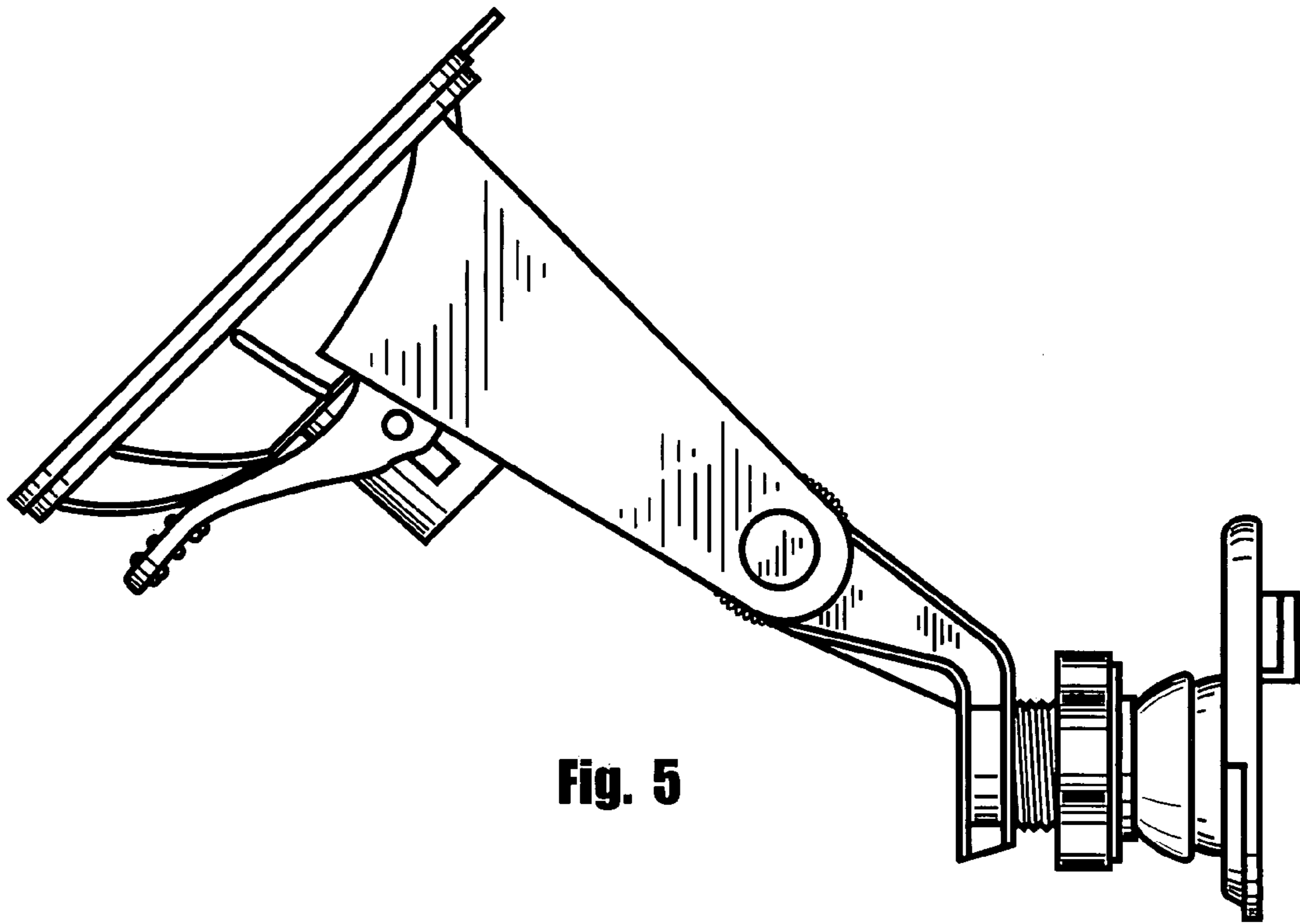


Fig. 5

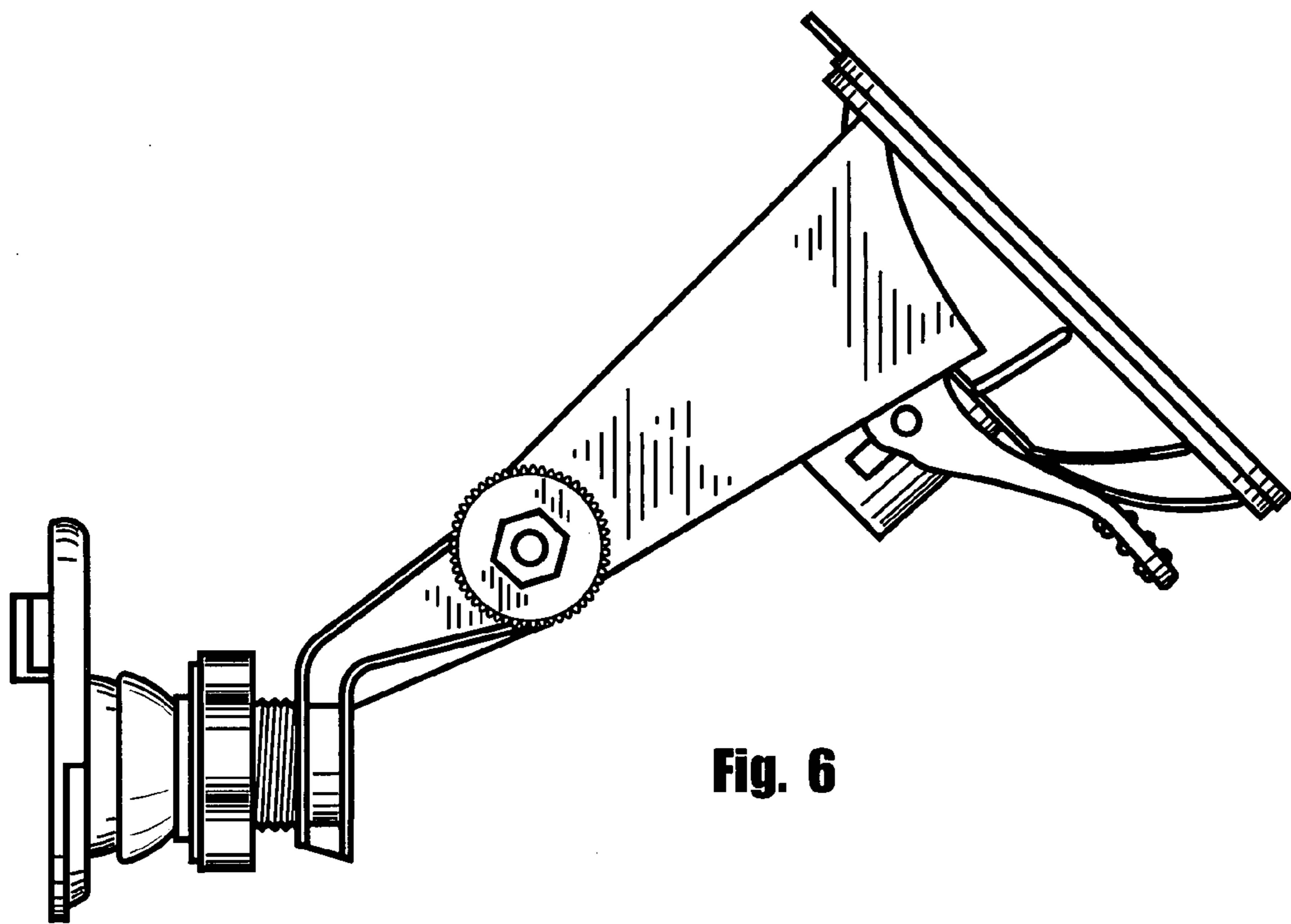


Fig. 6

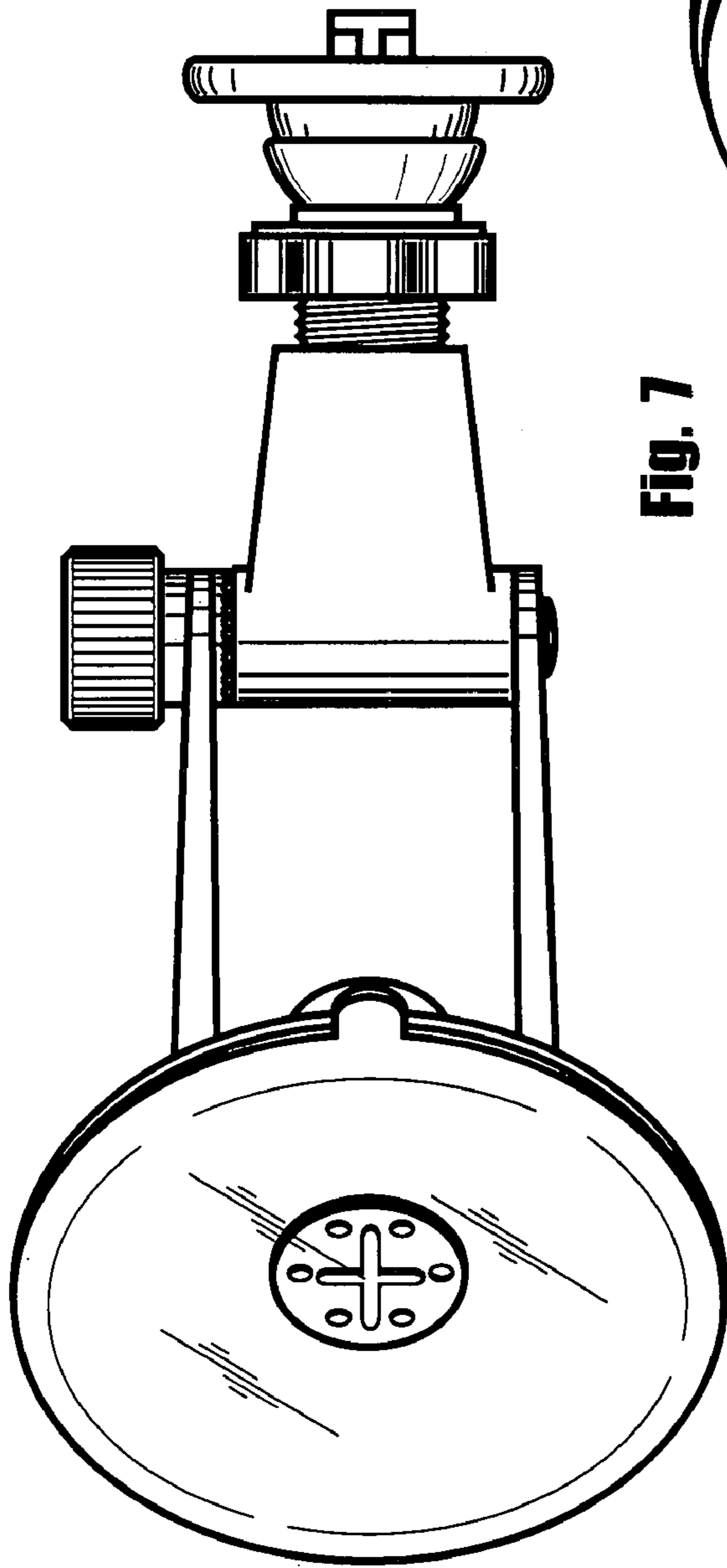


Fig. 7

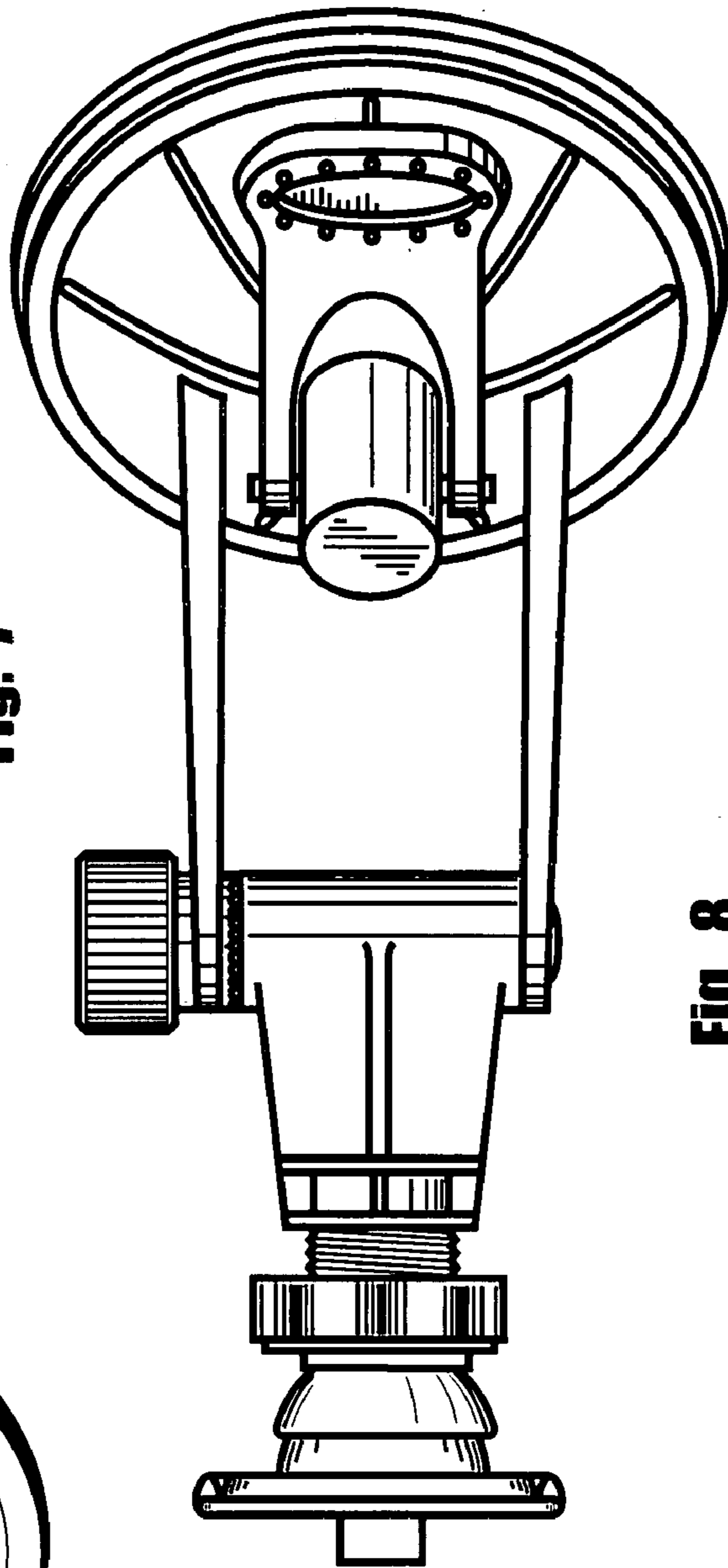


Fig. 8