



US00D553956S

(12) **United States Design Patent** (10) **Patent No.:** **US D553,956 S**
Jones et al. (45) **Date of Patent:** **** Oct. 30, 2007**

(54) **PIVOTAL BRACKET FOR BALUSTERS**

D420,894 S * 2/2000 Wang D8/382
D534,792 S * 1/2007 Cooper D8/382

(75) Inventors: **Anthony Trevor Jones**, Shropshire (GB); **Paul Hughes**, Powys (GB)

FOREIGN PATENT DOCUMENTS

(73) Assignee: **Richard Burbidge Limited** (GB)

DE 94 19 943 3/1995
EP 0 251 826 A2 1/1988
EP 0 495 577 A1 7/1992
EP 1 335 081 A2 8/2003
GB 2 299 370 A 10/1996

(**) Term: **14 Years**

(21) Appl. No.: **29/245,710**

* cited by examiner

(22) Filed: **Dec. 28, 2005**

Primary Examiner—Holly H. Baynham

Assistant Examiner—Sheryl Friedman

(30) **Foreign Application Priority Data**

Jun. 29, 2005 (EM) 000364070

(74) *Attorney, Agent, or Firm*—Caesar, Rivise, Bernstein, Cohen & Pokotilow, Ltd.

(51) **LOC (8) Cl.** **08-05**

(57) **CLAIM**

(52) **U.S. Cl.** **D8/355; D8/382**

(58) **Field of Classification Search** 403/235; D8/382, 355

The ornamental design for a pivotal bracket for balusters, as shown and described.

See application file for complete search history.

(56) **References Cited**

DESCRIPTION

U.S. PATENT DOCUMENTS

2,687,283 A 8/1954 Enghauser
2,855,227 A 10/1958 Bottom
3,648,982 A 3/1972 Sabel et al.
3,704,005 A 11/1972 Kusel
3,858,850 A 1/1975 Maxcy et al.
D269,945 S * 8/1983 Carney D8/355
D373,720 S * 9/1996 Hirano et al. D8/382
D374,607 S * 10/1996 Shoda D8/382
D413,058 S * 8/1999 Murakami D8/382
D416,474 S * 11/1999 Wang D8/382
D420,279 S * 2/2000 Wang D8/382
D420,280 S * 2/2000 Wang D8/382

FIG. 1 is a perspective view from above of pivotal bracket for balusters showing our new design;

FIG. 2 is a first side elevational view thereof;

FIG. 3 is a second side elevational view thereof;

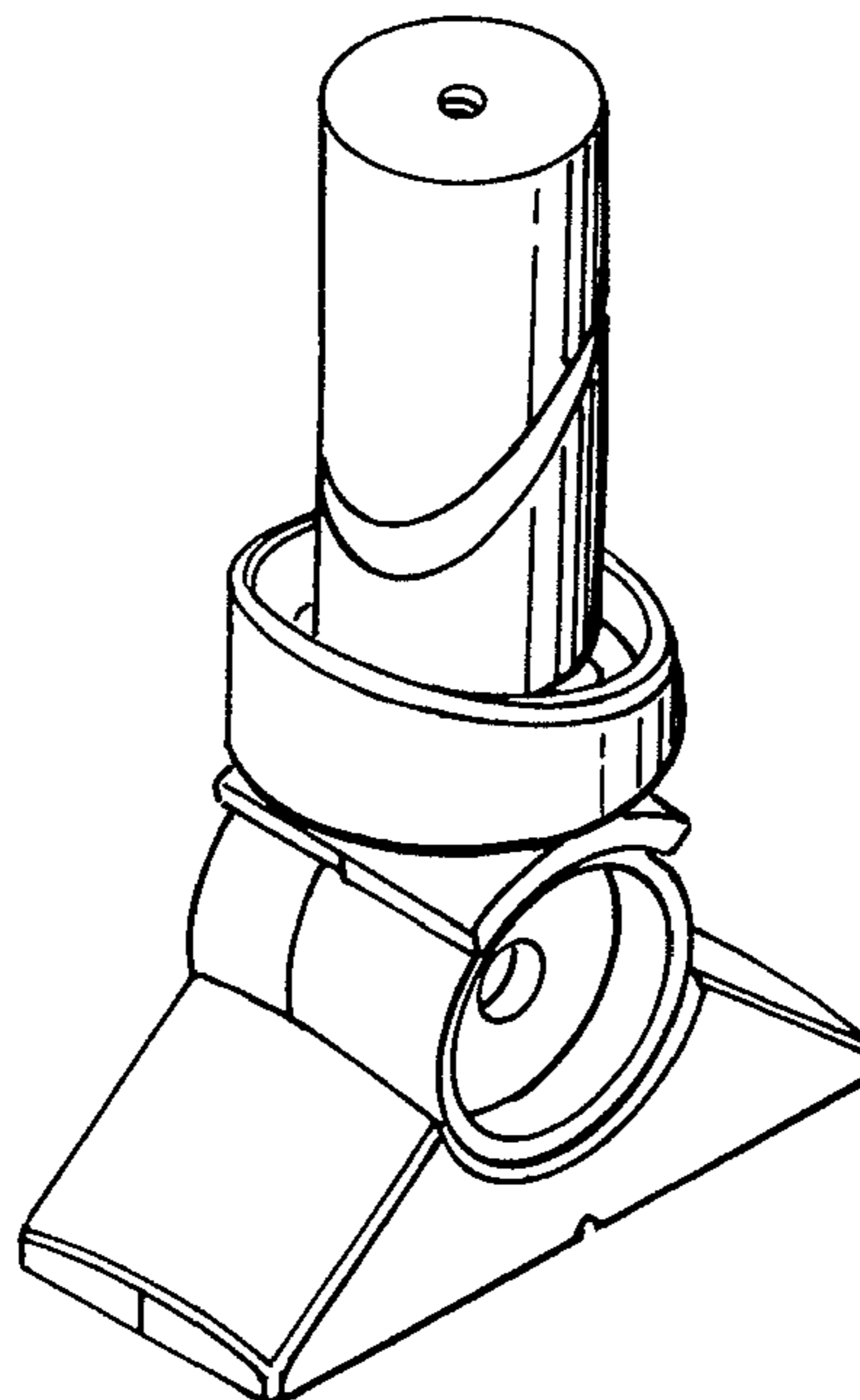
FIG. 4 is a first end elevational view thereof;

FIG. 5 is a second end elevational view;

FIG. 6 is a top plan view thereof; and,

FIG. 7 is a second side elevational view showing parts in relatively pivoted condition.

1 Claim, 3 Drawing Sheets



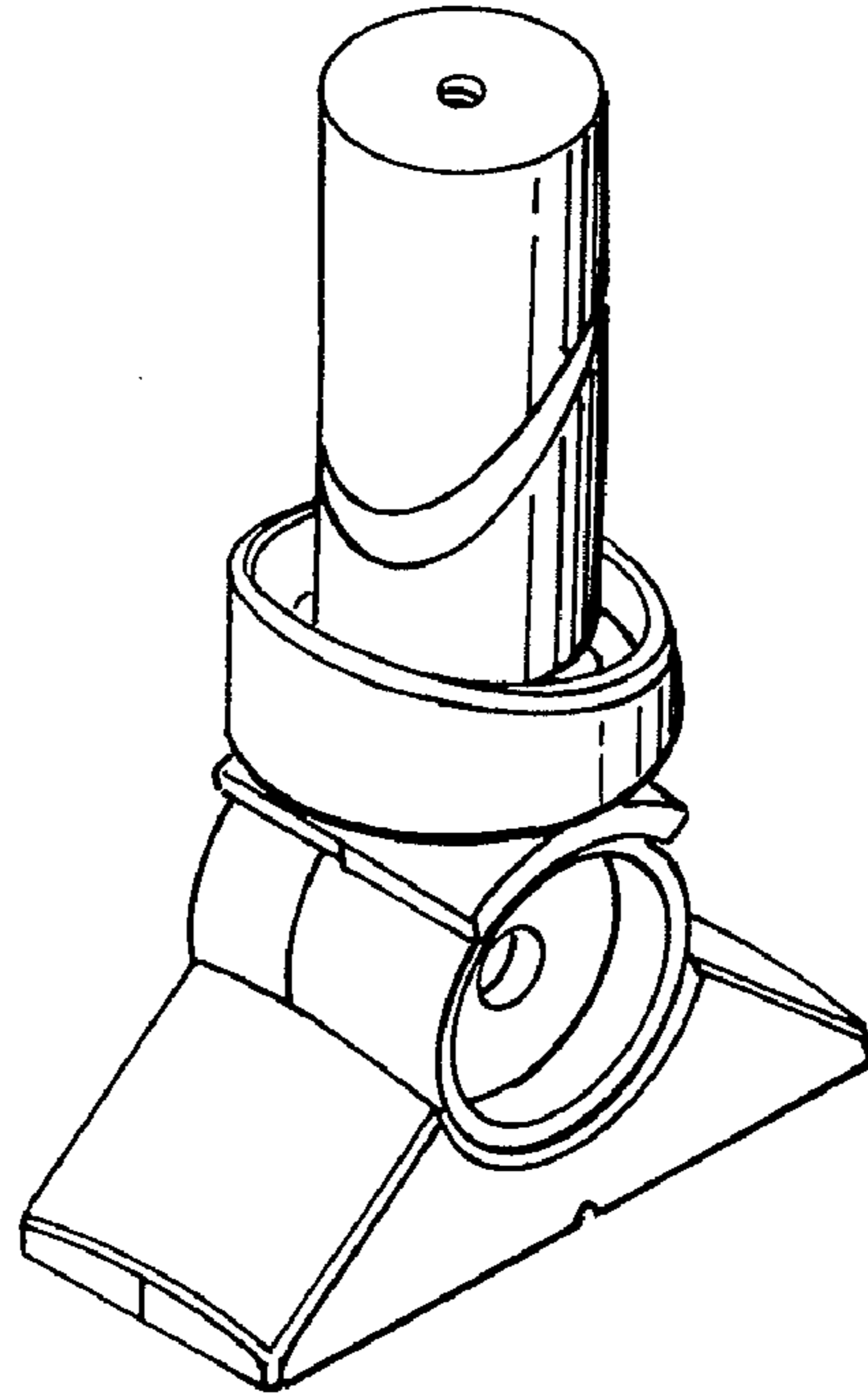


FIG. 1

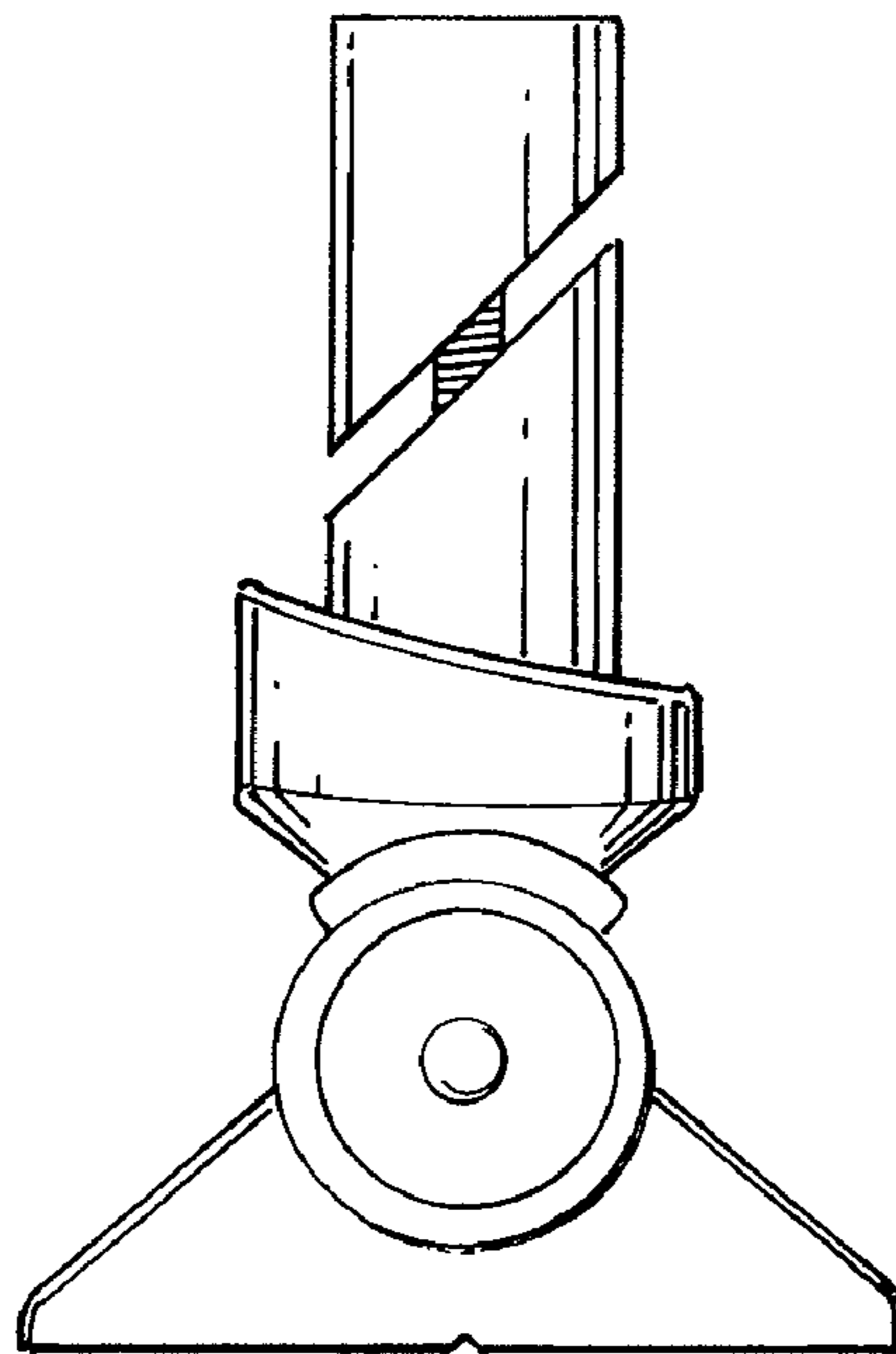


FIG. 2

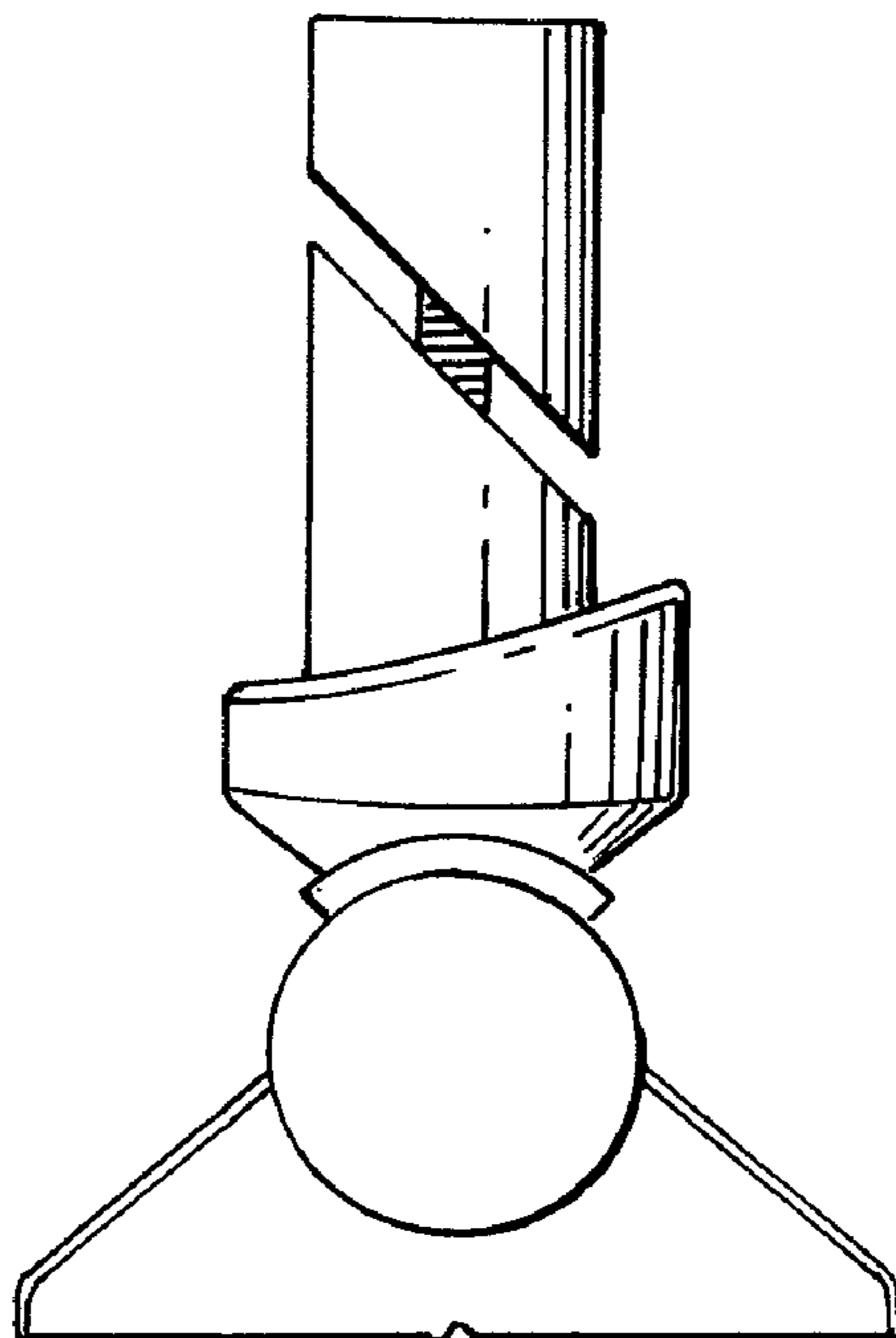


FIG. 3

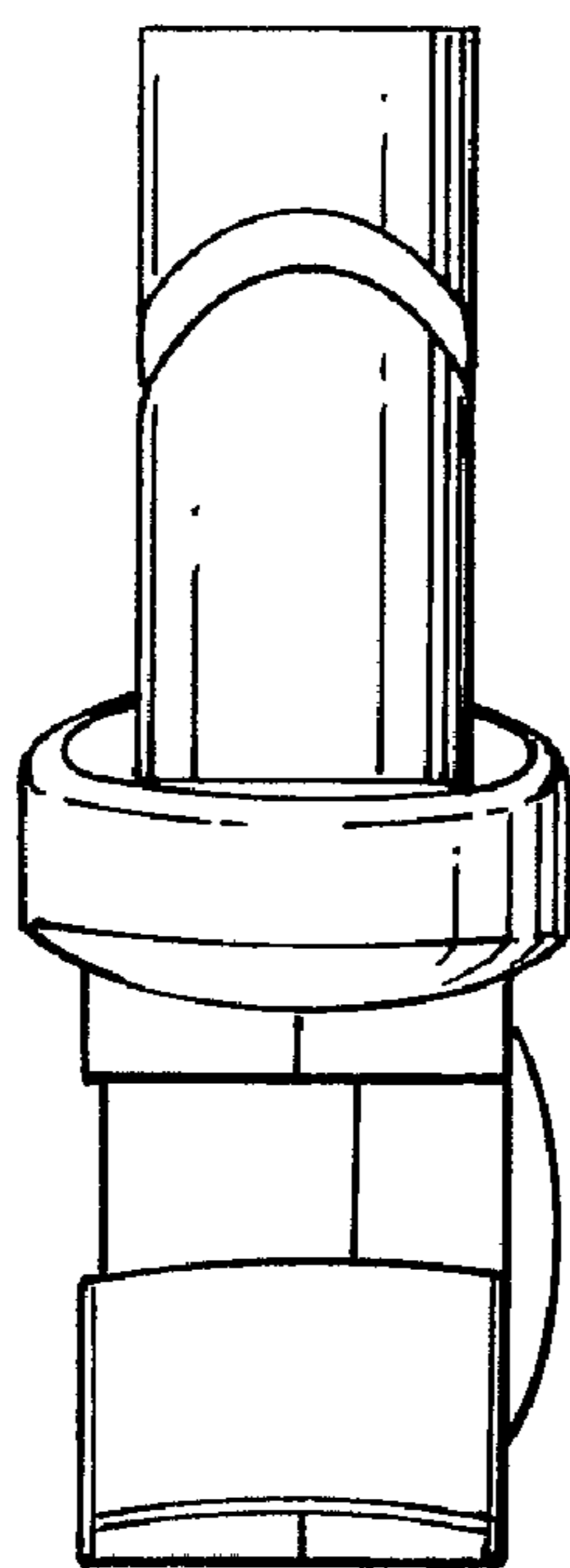


FIG. 4

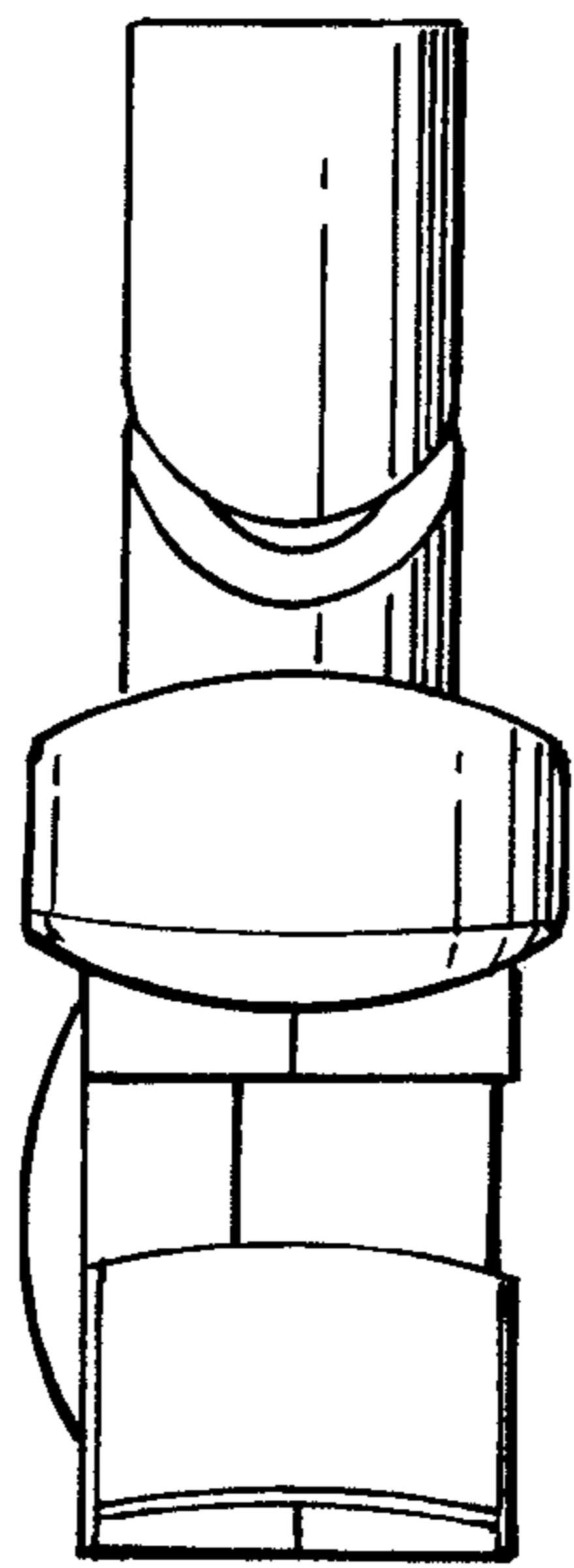


FIG. 5

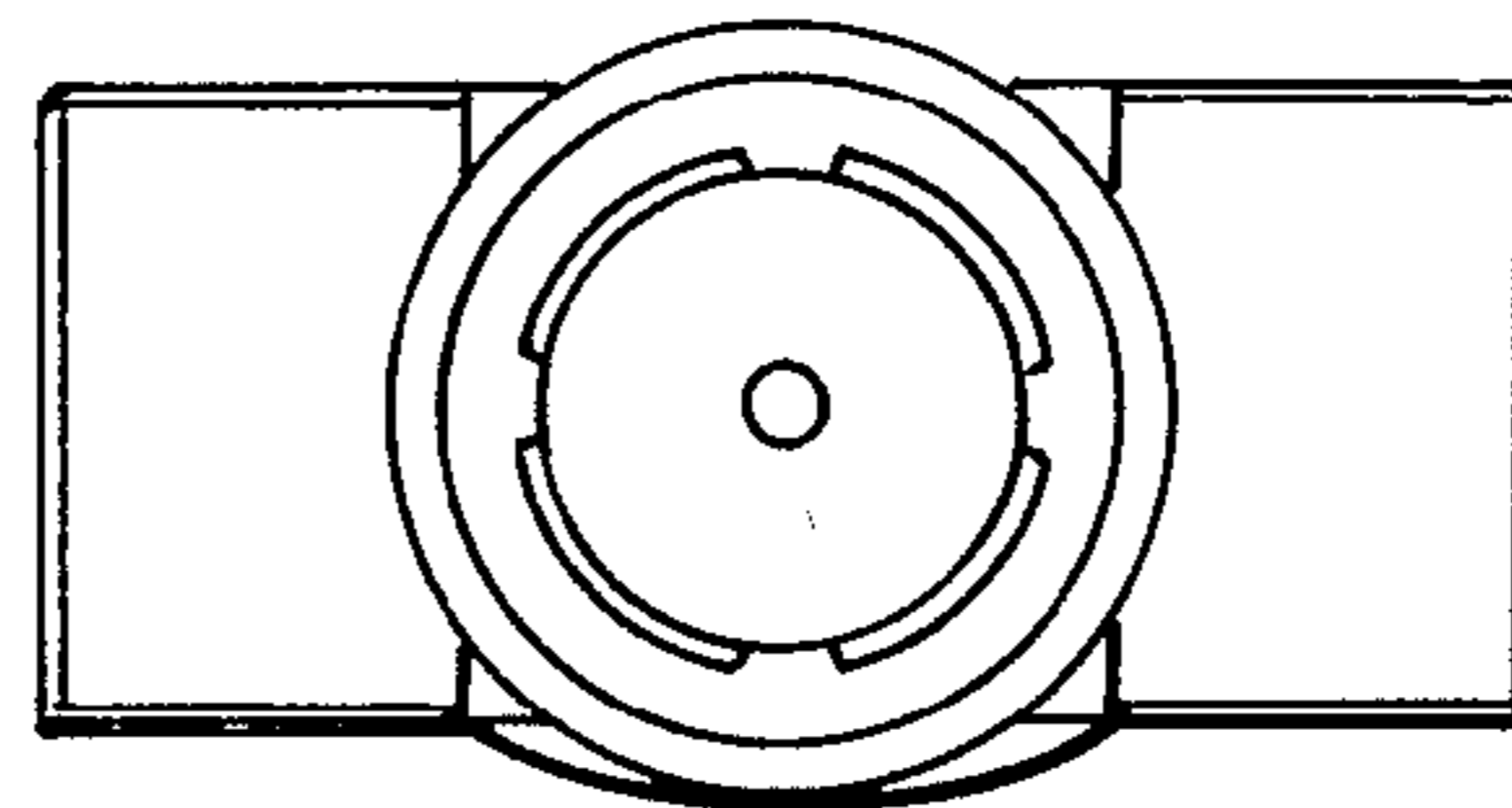


FIG. 6

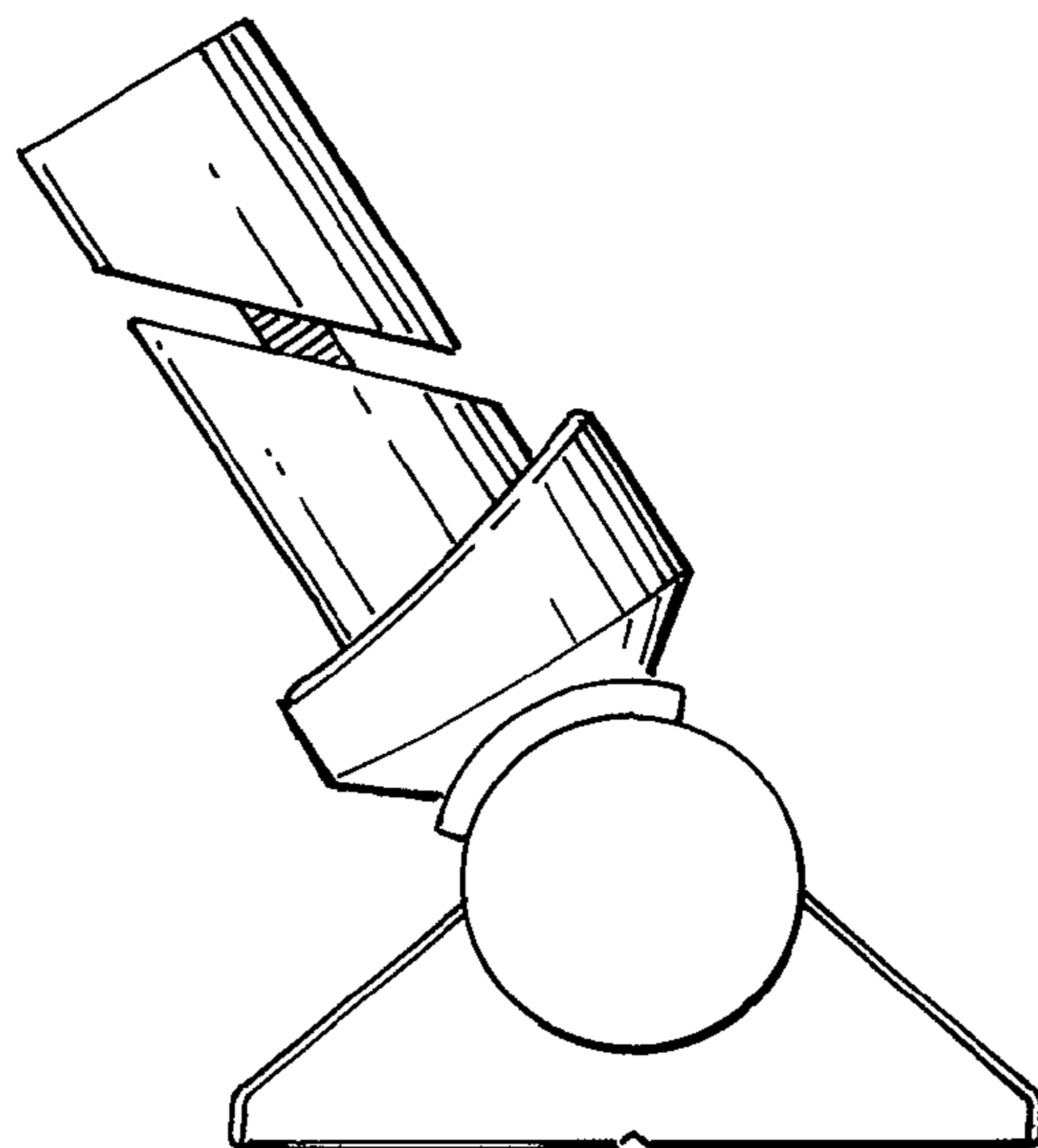


FIG. 7