



US00D553955S

(12) **United States Design Patent**
Moser

(10) **Patent No.:** **US D553,955 S**

(45) **Date of Patent:** **** Oct. 30, 2007**

(54) **SUPPORT COLLAR**

(76) **Inventor:** **John Moser**, 5239 Waltann La.,
Scottsdale, AZ (US) 85254

(**) **Term:** **14 Years**

(21) **Appl. No.:** **29/253,617**

(22) **Filed:** **Feb. 9, 2006**

(51) **LOC (8) Cl.** **08-05**

(52) **U.S. Cl.** **D8/354**

(58) **Field of Classification Search** D8/354;
D12/223; 248/300, 27.1; 33/608

See application file for complete search history.

(56) **References Cited**

U.S. PATENT DOCUMENTS

1,625,585 A * 4/1927 Archer 242/599.2
2,264,556 A * 12/1941 Seal 363/437
3,132,822 A * 5/1964 Arthur 242/613.4

3,655,154 A * 4/1972 Orts 248/27.1
D288,254 S * 2/1987 Meade D32/58
D294,758 S * 3/1988 Meade D32/58
4,756,488 A * 7/1988 Cooke 242/608.5
5,551,143 A * 9/1996 Saval 29/598
2004/0007643 A1* 1/2004 Ripplinger 242/613.4

* cited by examiner

Primary Examiner—Holly H. Baynham

(74) *Attorney, Agent, or Firm*—Michael C. Cesarano

(57) **CLAIM**

I claim the ornamental design for a support collar, as shown.

DESCRIPTION

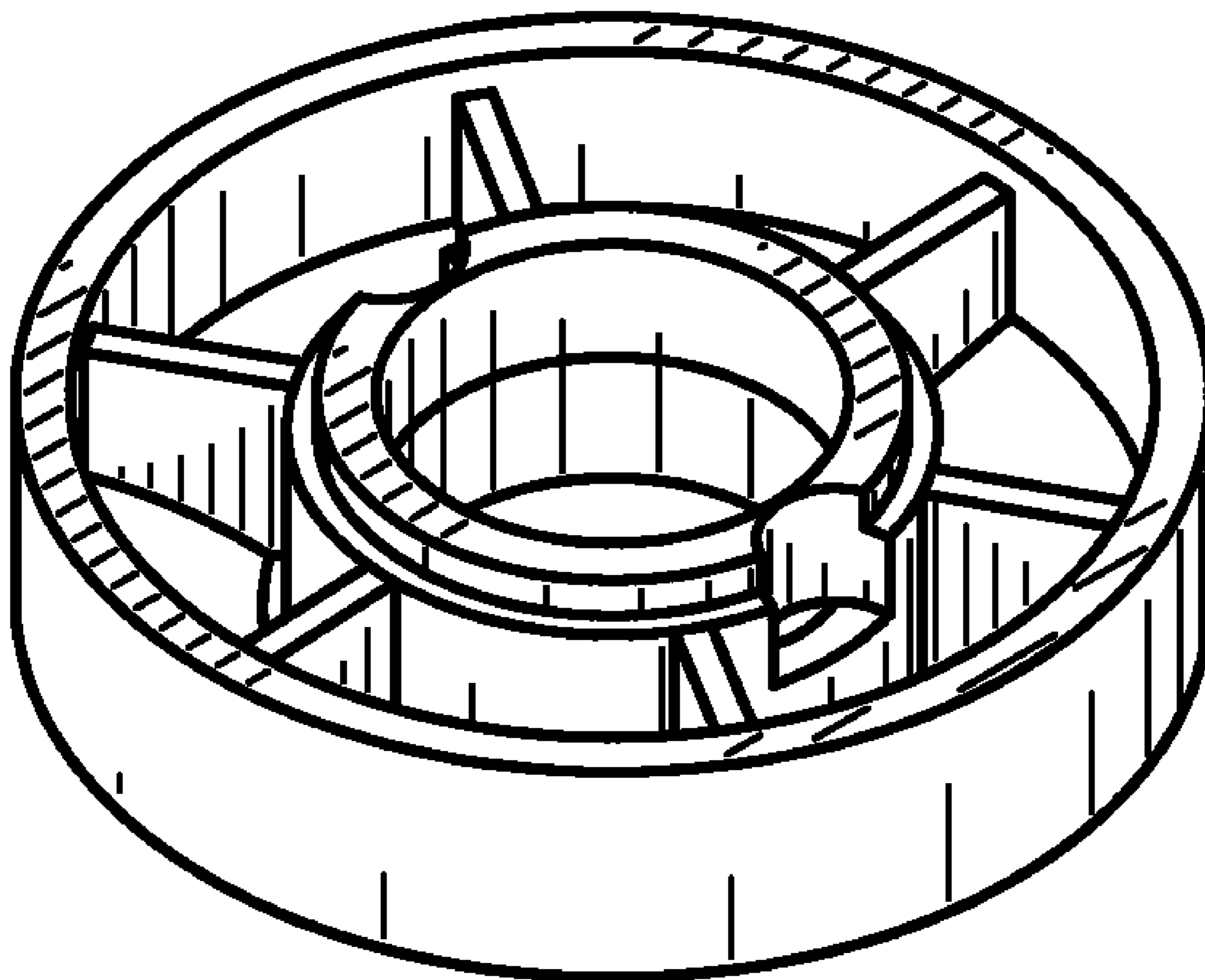
FIG. 1 is a perspective view of the support collar.

FIG. 2 is an elevational view of the support collar.

FIG. 3 is a top plan view of the support collar; and,

FIG. 4 is a bottom plan view of the support collar.

1 Claim, 1 Drawing Sheet



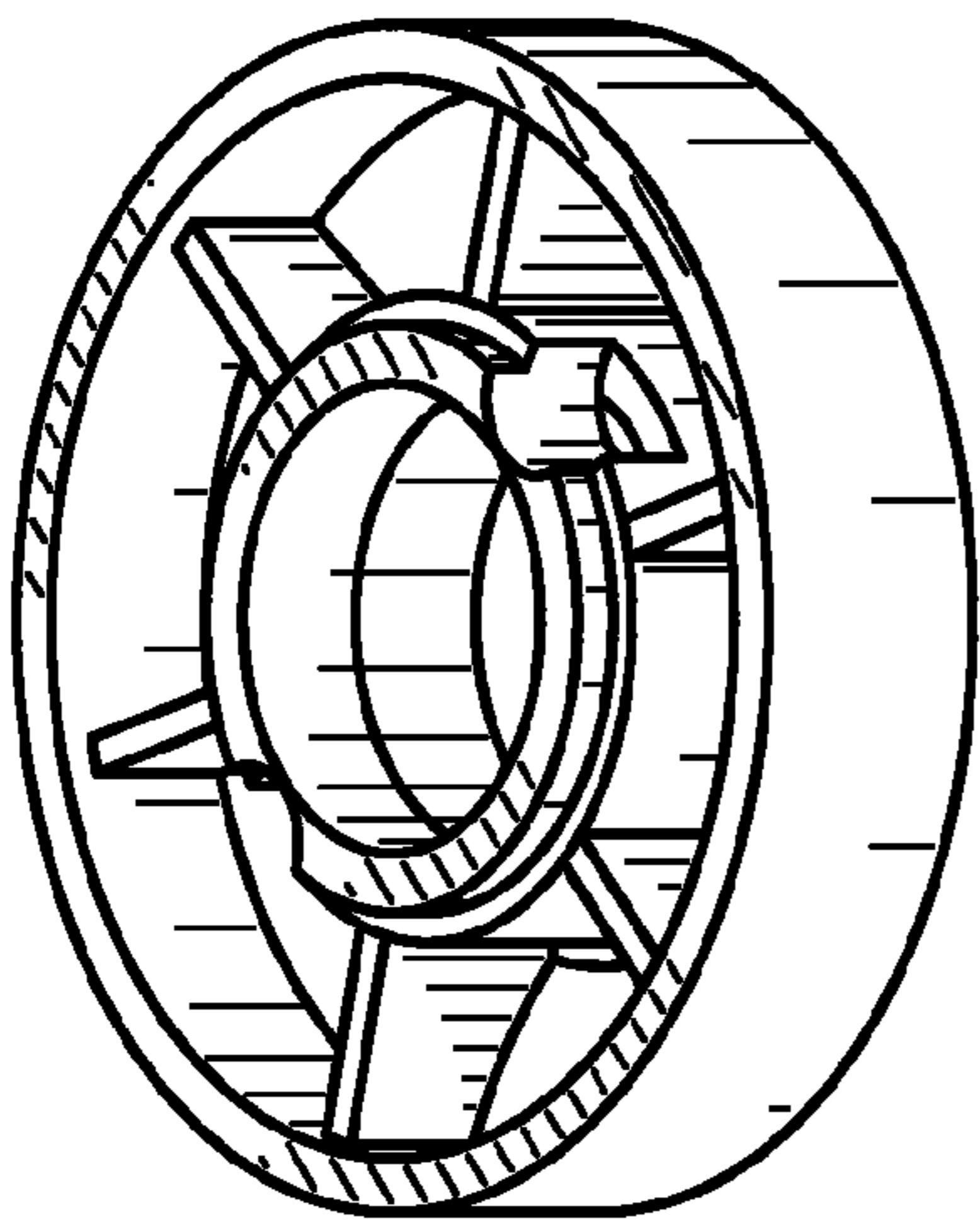


FIG. 1

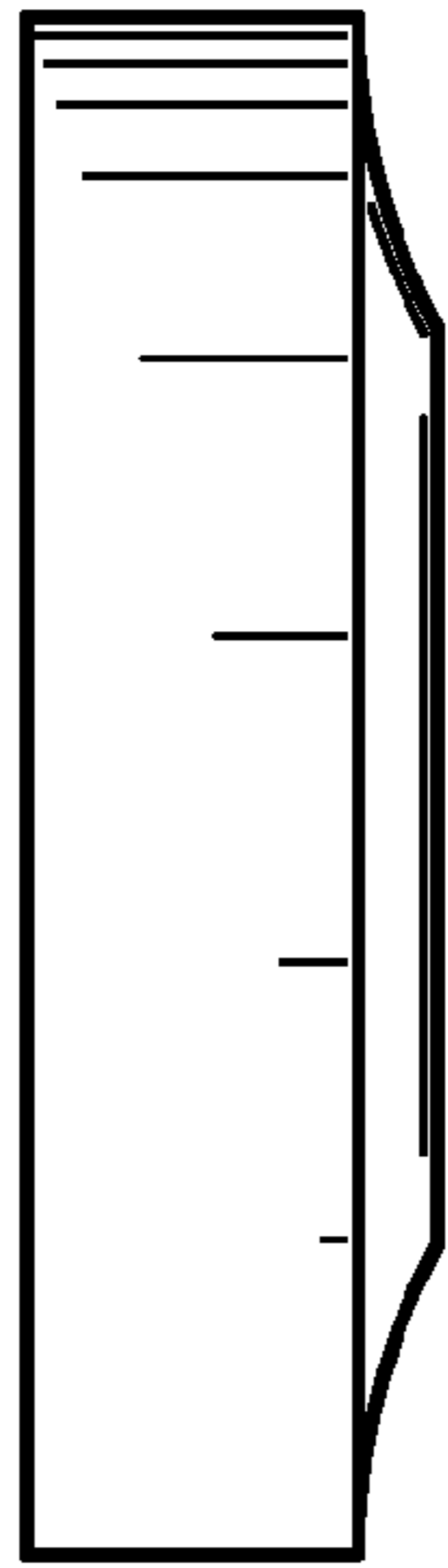


FIG. 2

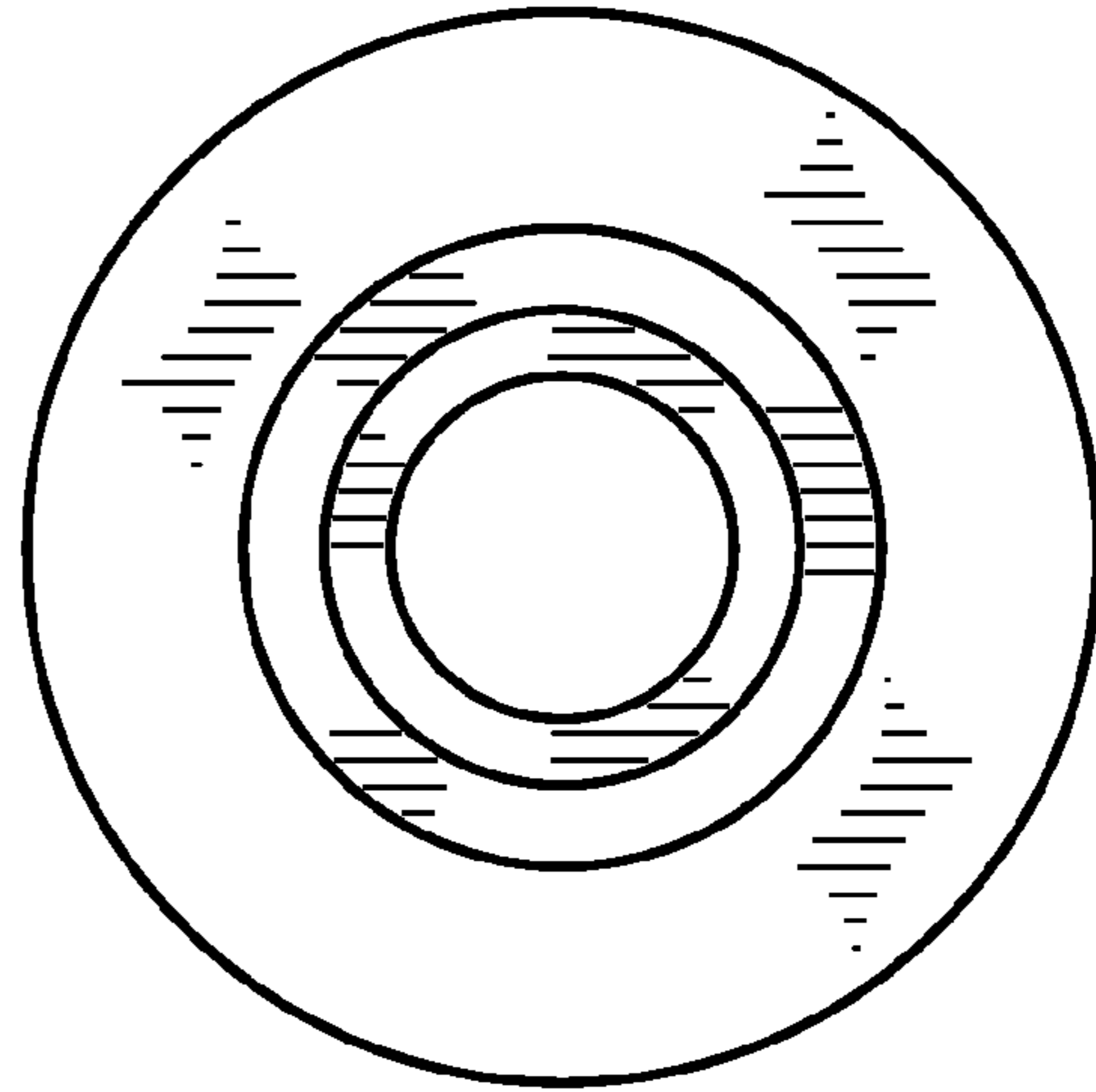


FIG. 4

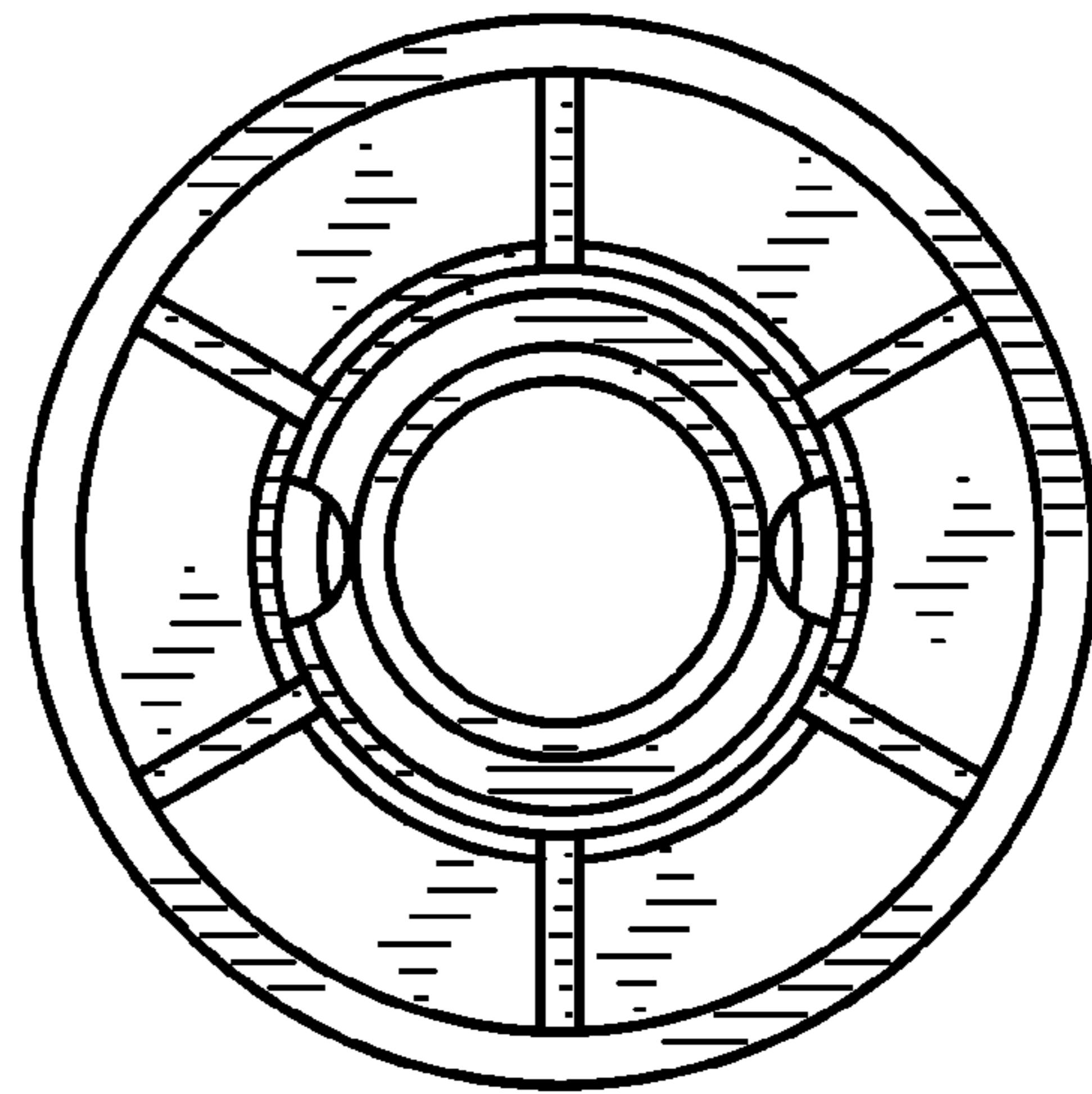


FIG. 3