



US00D553954S

(12) **United States Design Patent**
Emblin

(10) **Patent No.:** **US D553,954 S**

(45) **Date of Patent:** **** Oct. 30, 2007**

(54) **SPACER FOR STUD ASSEMBLY**

D494,042 S * 8/2004 Wright D8/354

(75) Inventor: **Alan Gayne Emblin**, Cooroy (AU)

* cited by examiner

(73) Assignee: **Building Solutions Pty Ltd.**,
Queensland (AU)

Primary Examiner—Holly H. Baynham

(74) *Attorney, Agent, or Firm*—Dorsey & Whitney LLP

(**) Term: **14 Years**

(57) **CLAIM**

(21) Appl. No.: **29/242,931**

The ornamental design for a spacer for stud assembly, as shown.

(22) Filed: **Nov. 15, 2005**

(30) **Foreign Application Priority Data**

DESCRIPTION

May 16, 2005 (AU) 12191/05

FIG. 1 is an upper perspective view showing my new design;

(51) **LOC (8) Cl.** **08-05**

FIG. 2 is a lower perspective view thereof;

(52) **U.S. Cl.** **D8/354**

FIG. 3 is a front elevation view thereof, with the rear side being a mirror image;

(58) **Field of Classification Search** D8/354;
52/677

FIG. 4. is a side elevation view thereof, with the other side being a mirror image; and,

See application file for complete search history.

FIG. 5 is a bottom plan view thereof, with the other side being a mirror image.

(56) **References Cited**

U.S. PATENT DOCUMENTS

1 Claim, 2 Drawing Sheets

D402,535 S * 12/1998 Wright D8/354

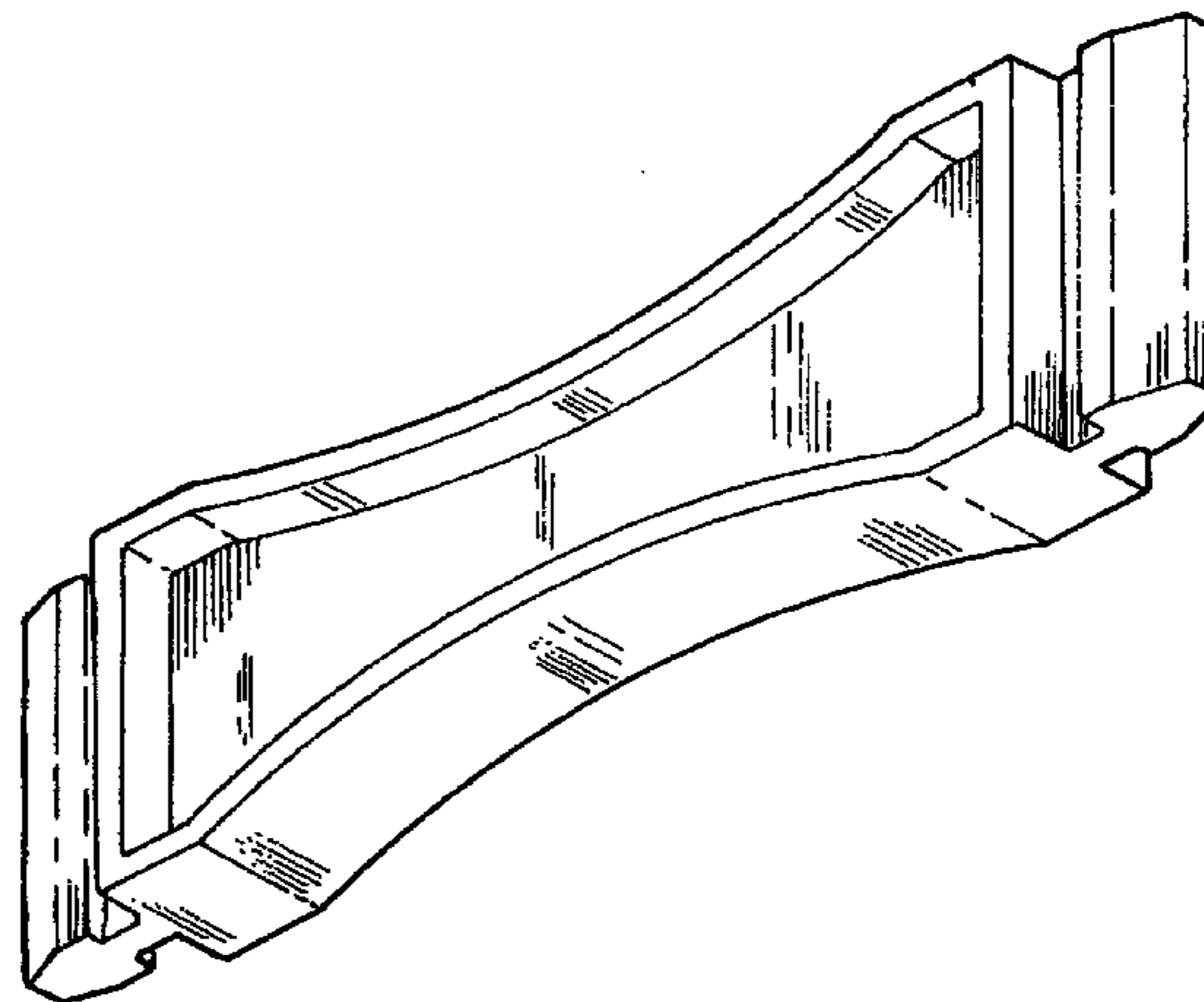
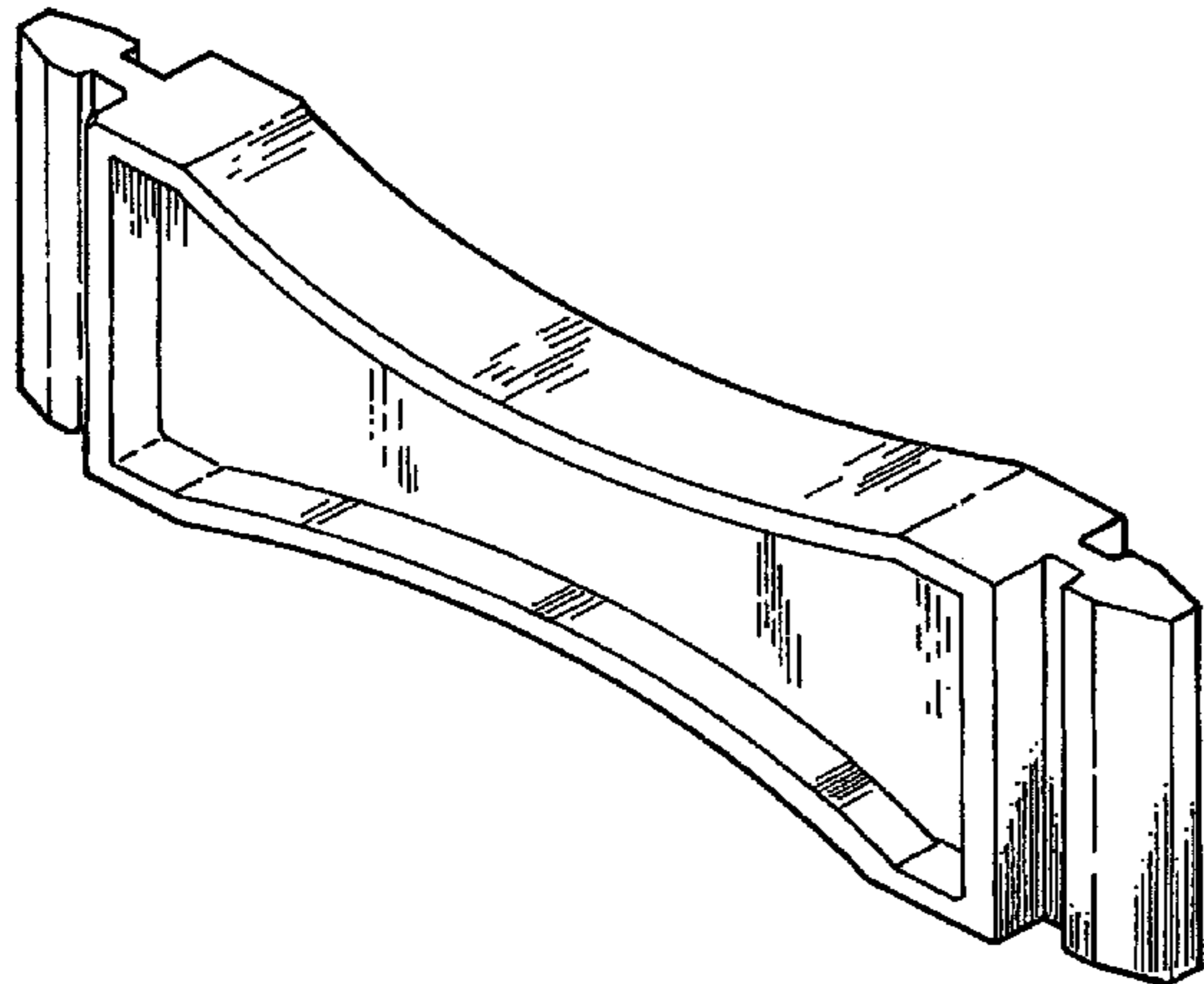


FIG. 2

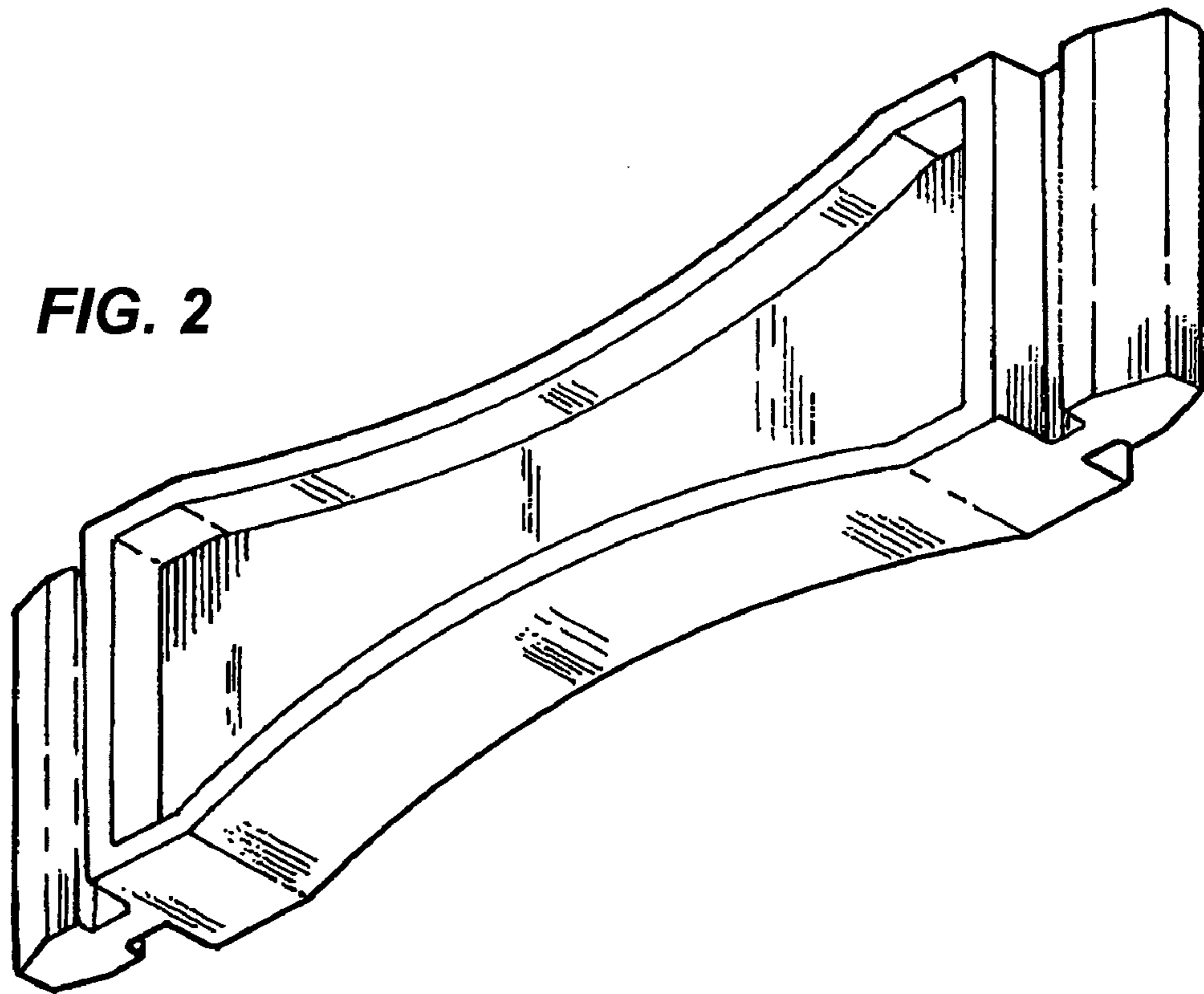
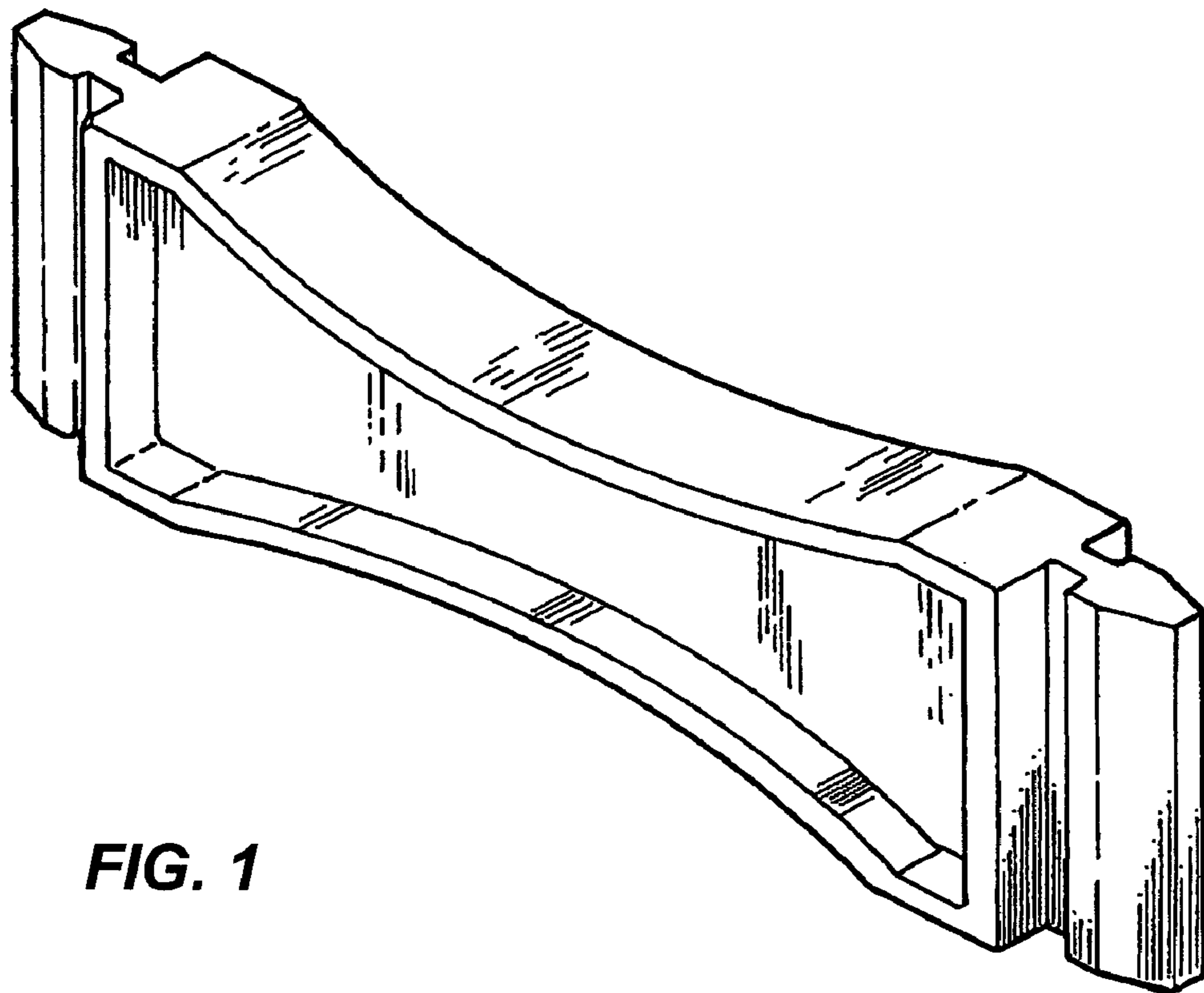


FIG. 1



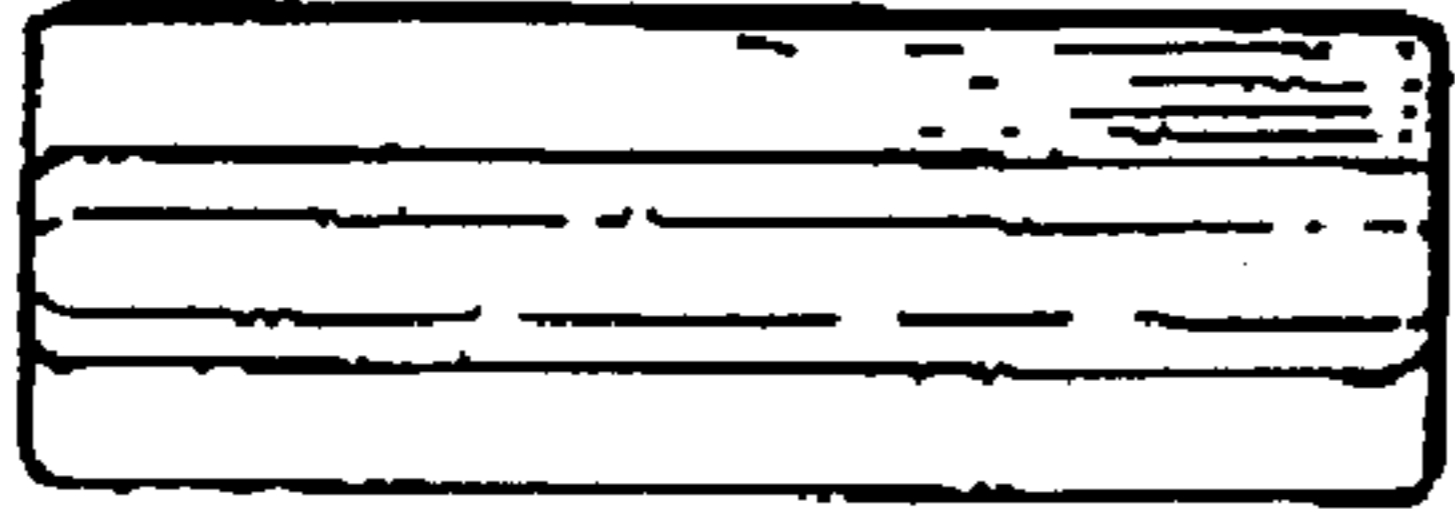


FIG. 4

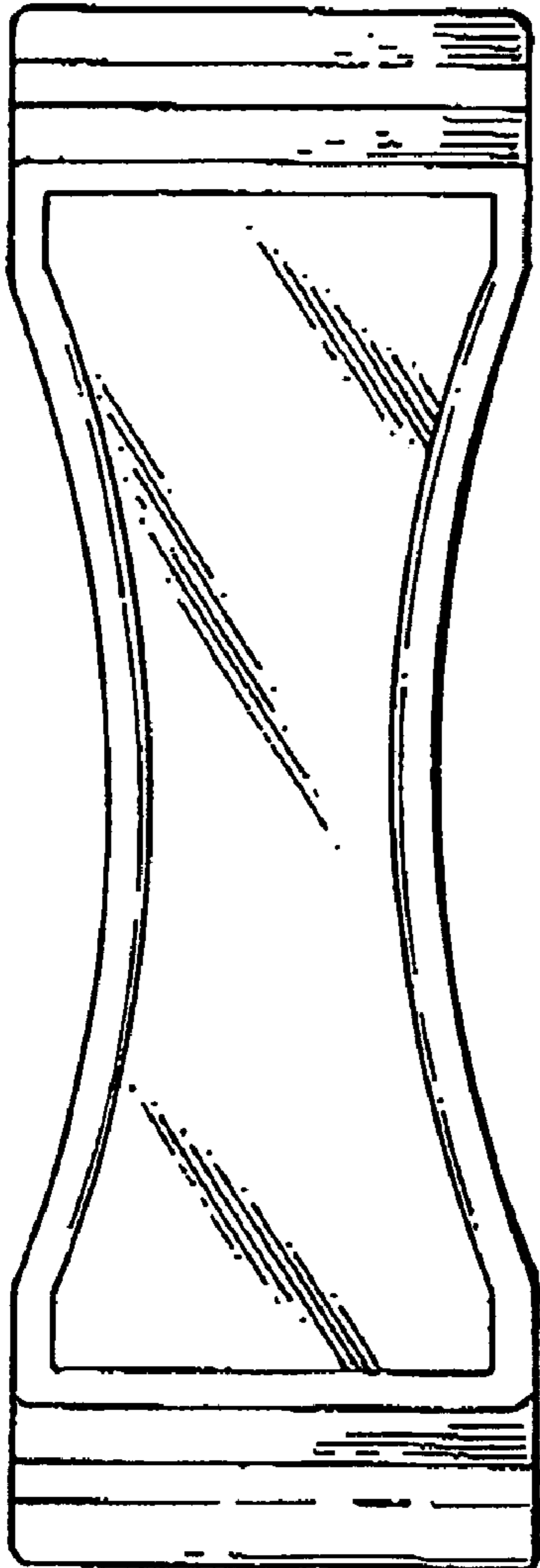


FIG. 3

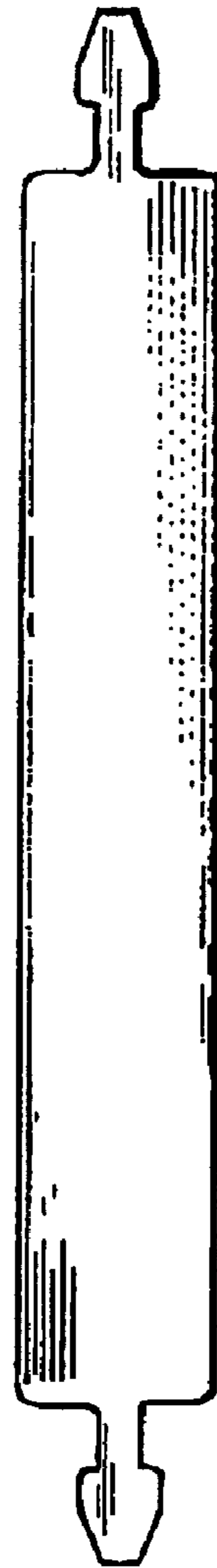


FIG. 5