



US00D553952S

(12) **United States Design Patent**
Garrick

(10) **Patent No.:** **US D553,952 S**

(45) **Date of Patent:** **** Oct. 30, 2007**

(54) **CONTROL STABILIZER**

6,079,687 A * 6/2000 Calleia 248/346.01
D431,174 S * 9/2000 Merideth D8/354

(76) Inventor: **Mary C. Garrick**, 117 Rosewood Ave.,
Lafayette, LA (US) 70506

* cited by examiner

(**) Term: **14 Years**

Primary Examiner—Holly H. Baynham

(21) Appl. No.: **29/237,197**

(57) **CLAIM**

(22) Filed: **Aug. 23, 2005**

The ornamental design for a control stabilizer, as shown.

(51) **LOC (8) Cl.** **08-05**

(52) **U.S. Cl.** **D8/349**

(58) **Field of Classification Search** D8/349,
D8/354; 248/346.01, 188.2, 188.1, 246.02

See application file for complete search history.

DESCRIPTION

FIG. 1 is an environmental, perspective view thereof;

FIG. 2 is an enlarged, perspective view thereof;

FIG. 3 is a bottom perspective view thereof; and,

FIG. 4 is a sectional view taken along line 4—4 of FIG. 1.

The broken line showing of a foot and a pedal is included for the purpose of illustrating environment and forms no part of the claimed design.

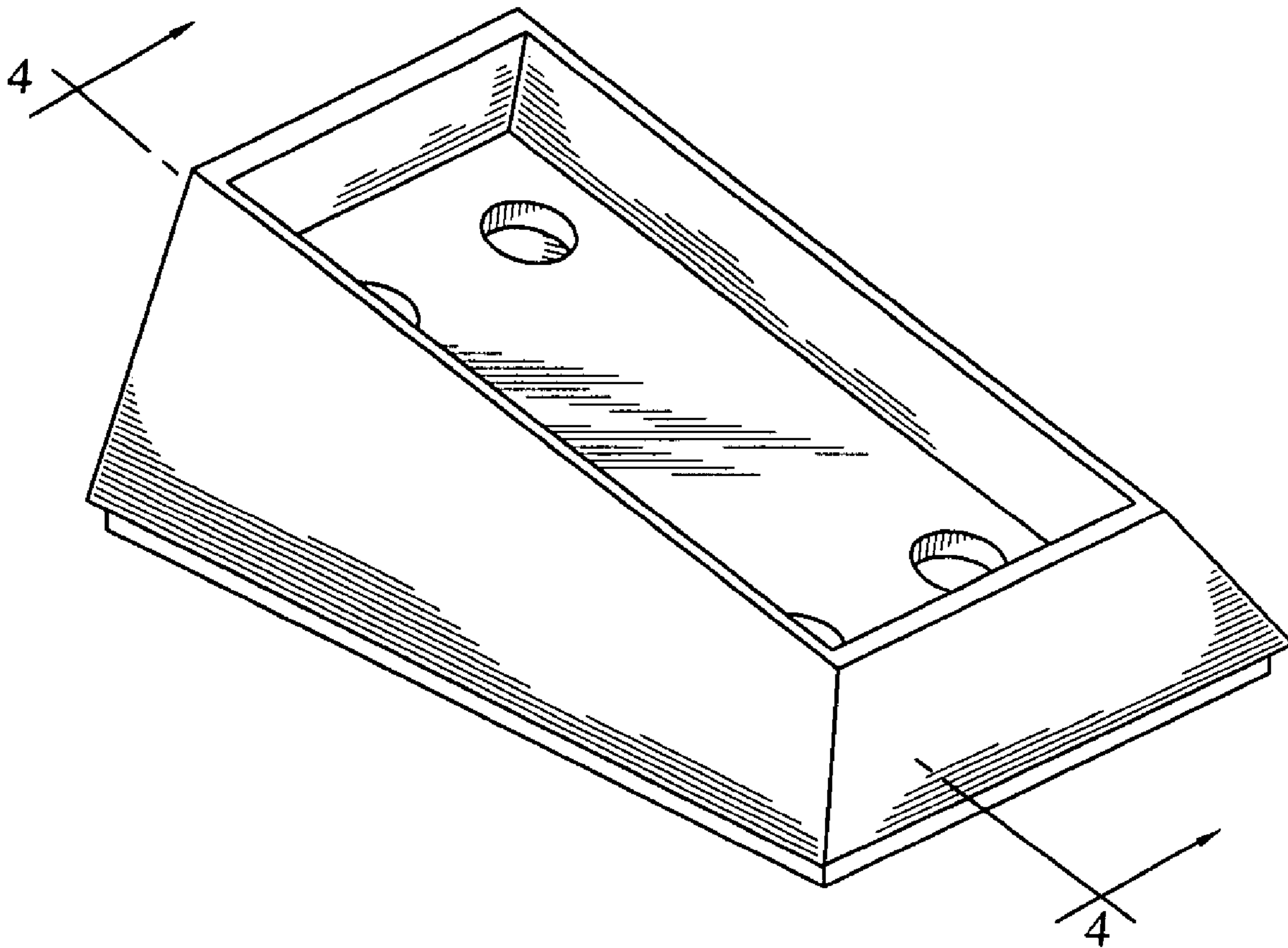
(56) **References Cited**

U.S. PATENT DOCUMENTS

3,653,715 A * 4/1972 Drabert et al. 297/423.45

5,249,767 A * 10/1993 Mellen 248/188.2

1 Claim, 2 Drawing Sheets



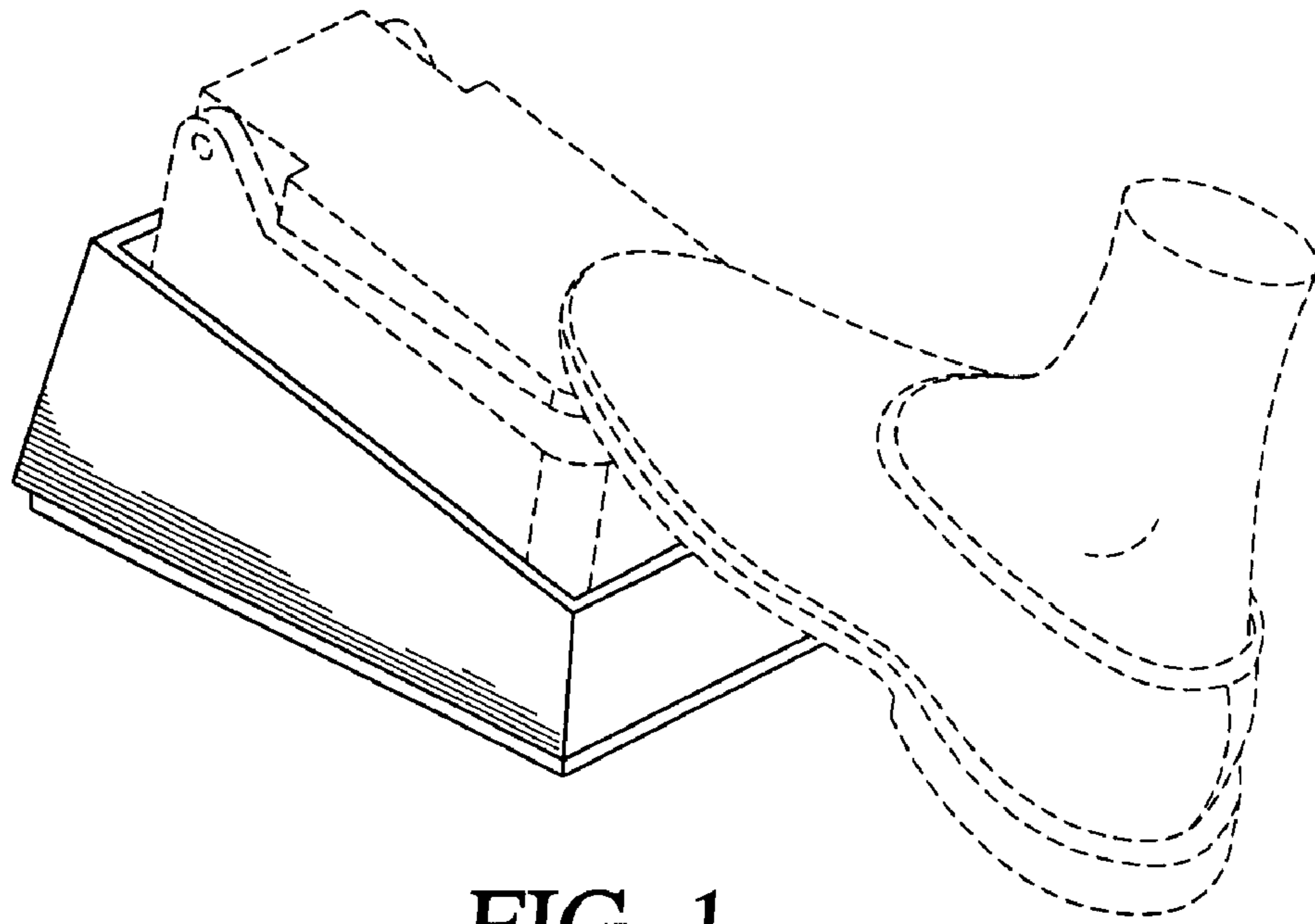


FIG. 1

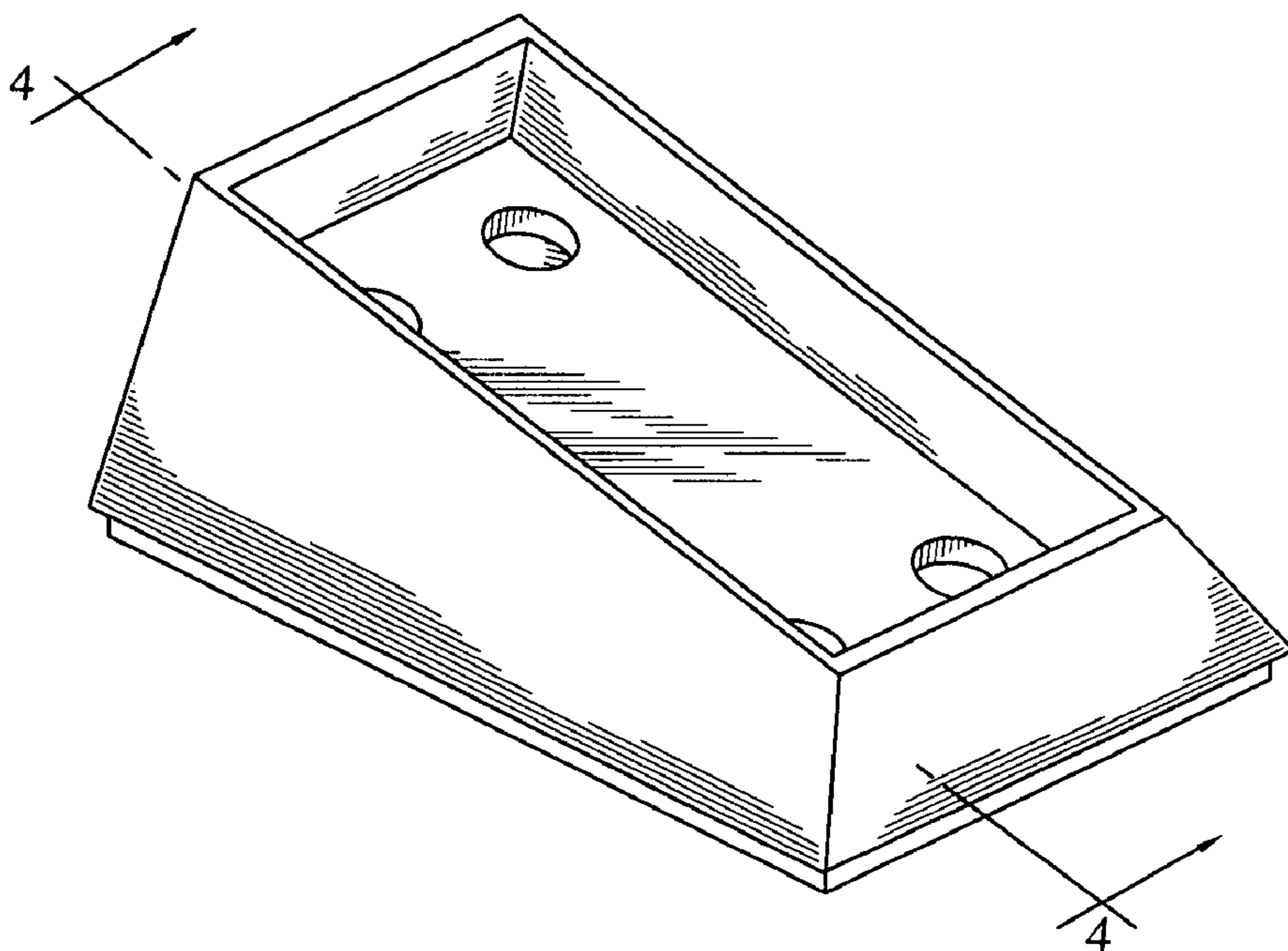


FIG. 2

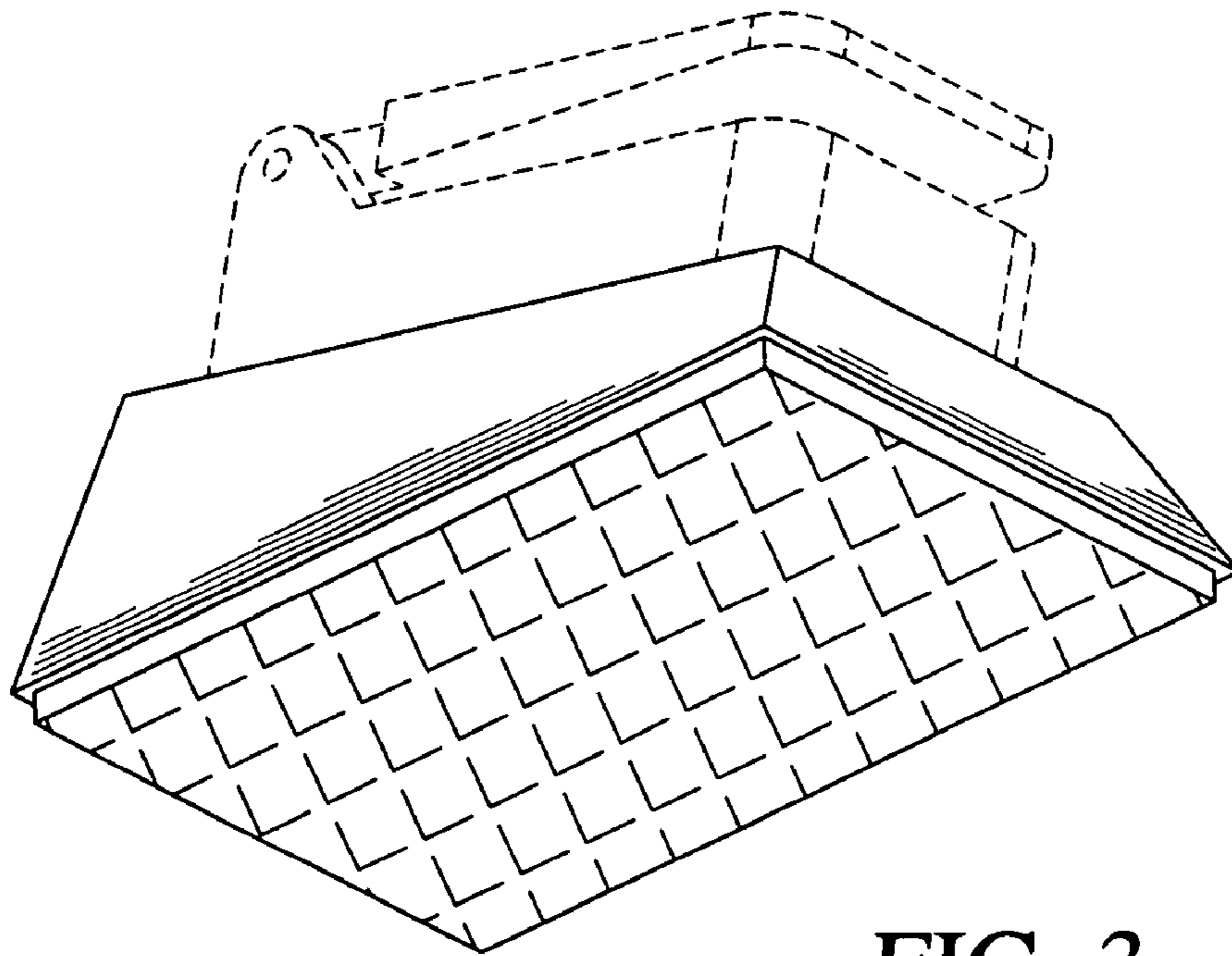


FIG. 3

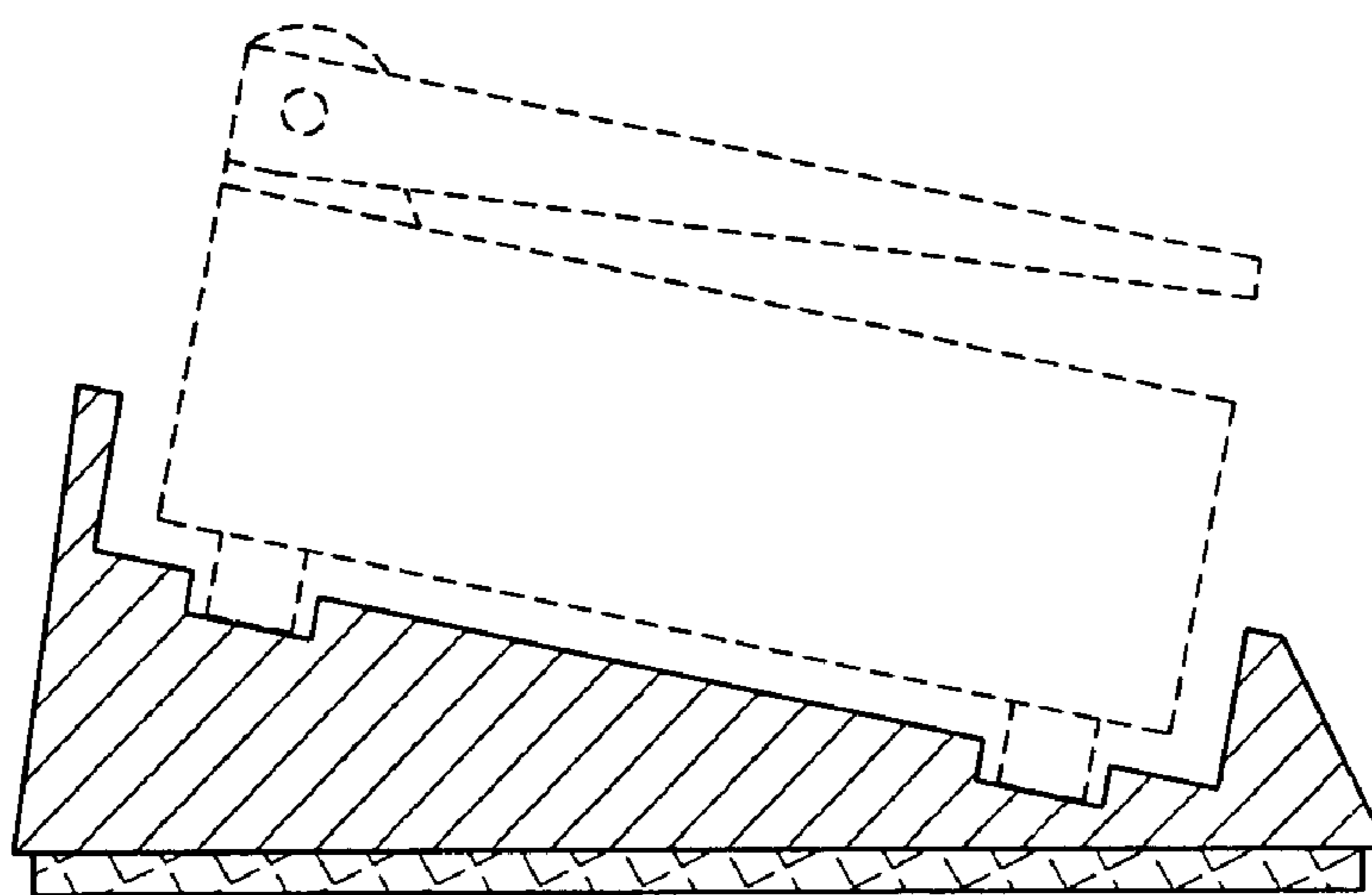


FIG. 4