



US00D553951S

(12) **United States Design Patent**
Meckbach

(10) **Patent No.:** **US D553,951 S**

(45) **Date of Patent:** **** Oct. 30, 2007**

(54) **KEY BLANK WITH NOVEL PROFILE**

D368,845 S * 4/1996 Widen D8/347
D370,168 S * 5/1996 Widen D8/347
D370,169 S * 5/1996 Widen D8/347

(75) Inventor: **Gerhard Meckbach**, Hagen (DE)

(73) Assignee: **ABUS August Bremicker Sohne KG**,
Wetter-Volmarstein (DE)

(**) Term: **14 Years**

(21) Appl. No.: **29/243,900**

(22) Filed: **Dec. 1, 2005**

(51) **LOC (8) Cl.** **08-07**

(52) **U.S. Cl.** **D8/347**

(58) **Field of Classification Search** D8/330-348;
70/386, 344, 393, 395, 402, 347, 405-408,
70/346 R

See application file for complete search history.

(56) **References Cited**

U.S. PATENT DOCUMENTS

D278,880 S * 5/1985 Widen D8/347
D342,887 S * 1/1994 Eizen D8/347
D353,320 S * 12/1994 Eizen D8/347
D353,534 S * 12/1994 Eizen D8/347
D353,760 S * 12/1994 Eizen D8/347

* cited by examiner

Primary Examiner—Mitchell Siegel

(74) *Attorney, Agent, or Firm*—Gifford, Krass, Sprinkle,
Anderson & Citkowski, P.C.

(57) **CLAIM**

The ornamental design for a key blank with novel profile, as shown and described.

DESCRIPTION

FIG. 1 is an elevational view of a preferred embodiment of a key blank with a novel profile of the present invention; FIG. 2 is a left side view thereof; FIG. 3 is a right side view thereof; FIG. 4 is a front plan view thereof; FIG. 5 is a rear plan view thereof; FIG. 6 is a top view thereof; and, FIG. 7 is a bottom end view thereof.

1 Claim, 1 Drawing Sheet

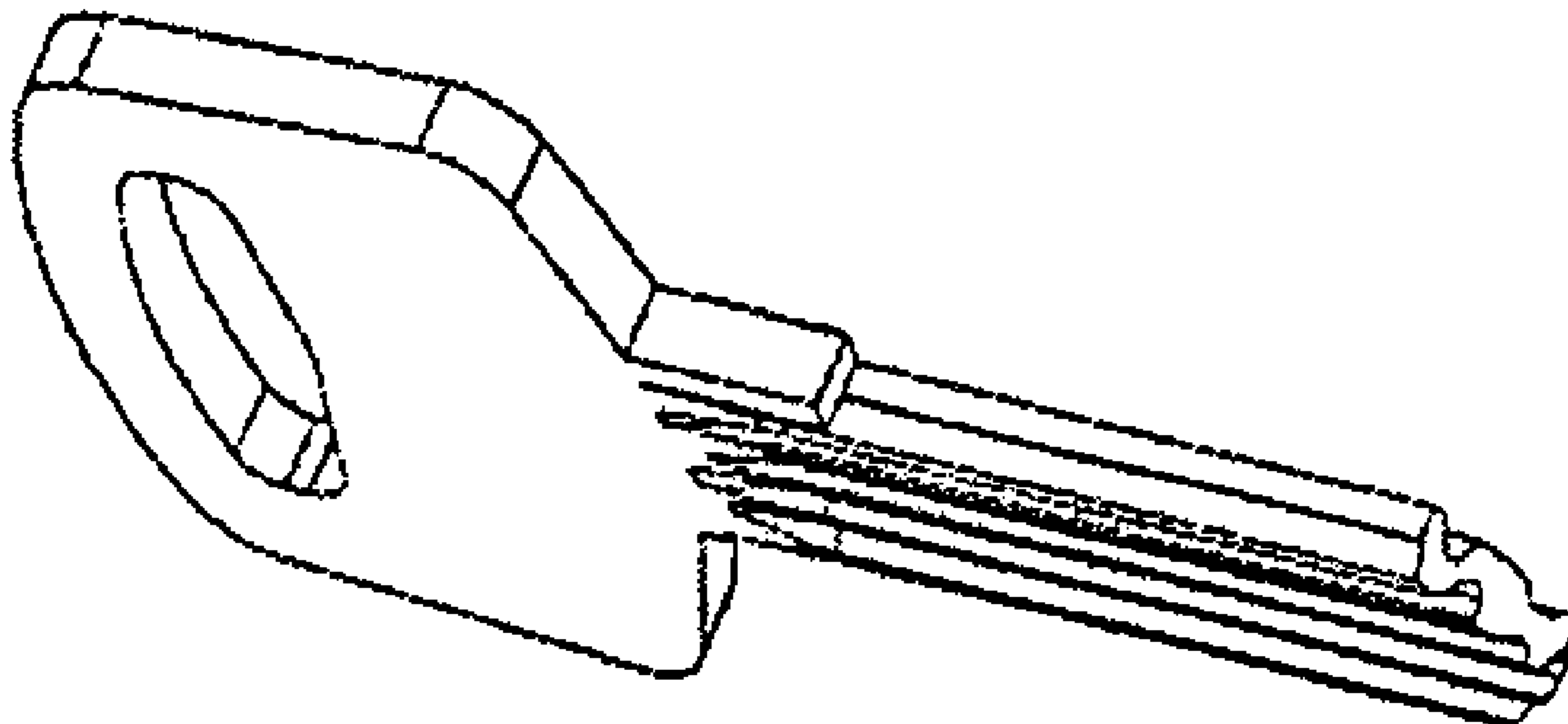




FIG. 2



FIG. 3

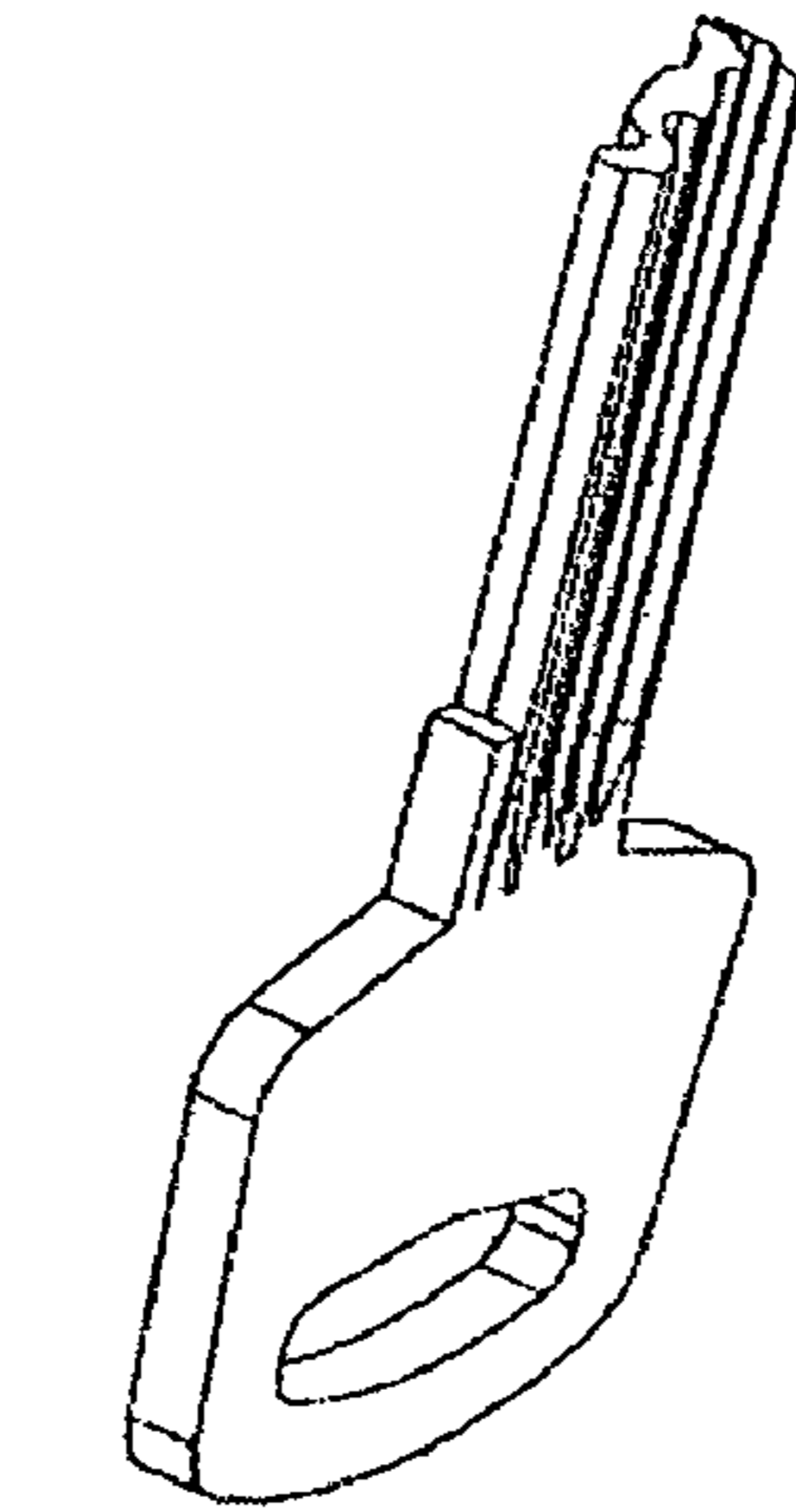


FIG. 1

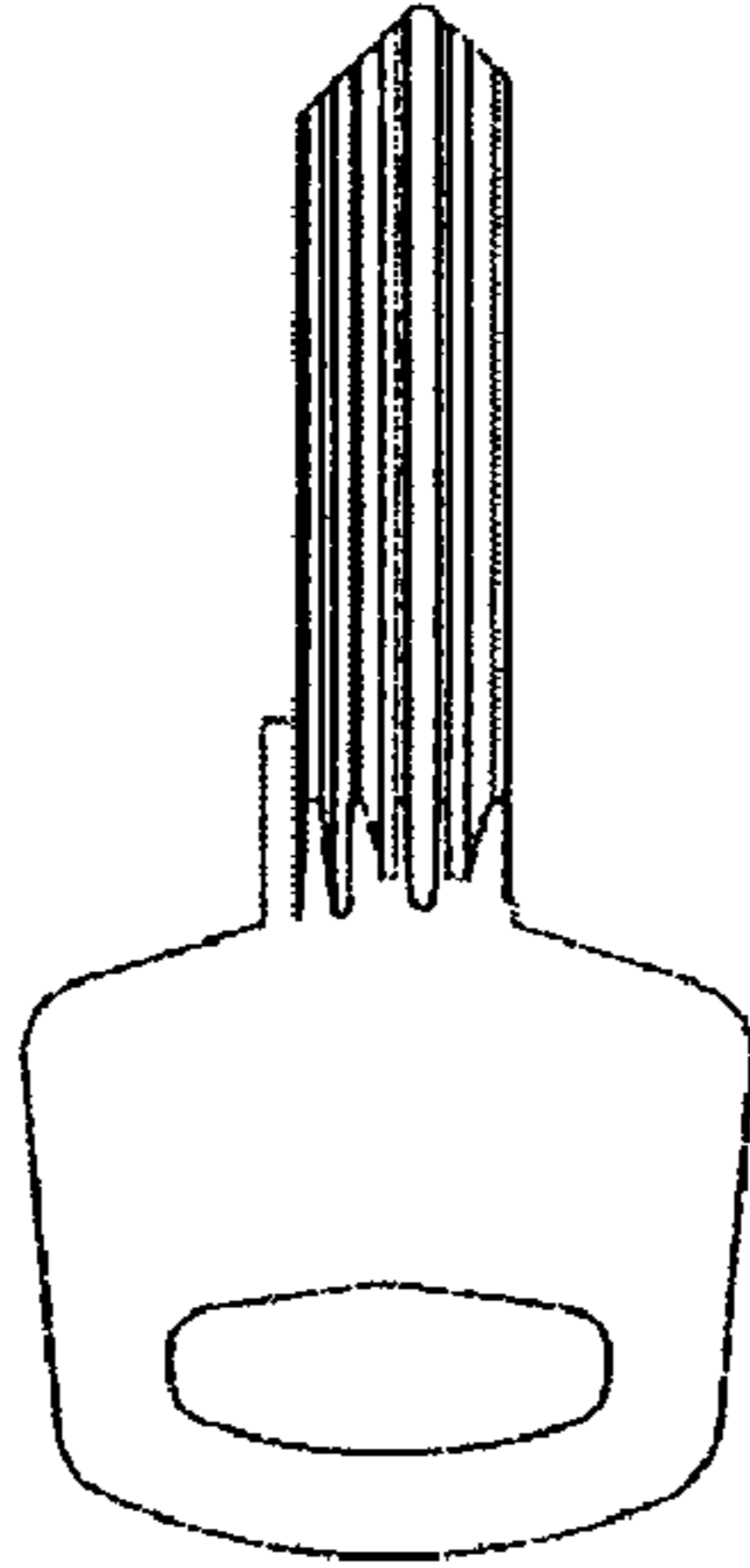


FIG. 4

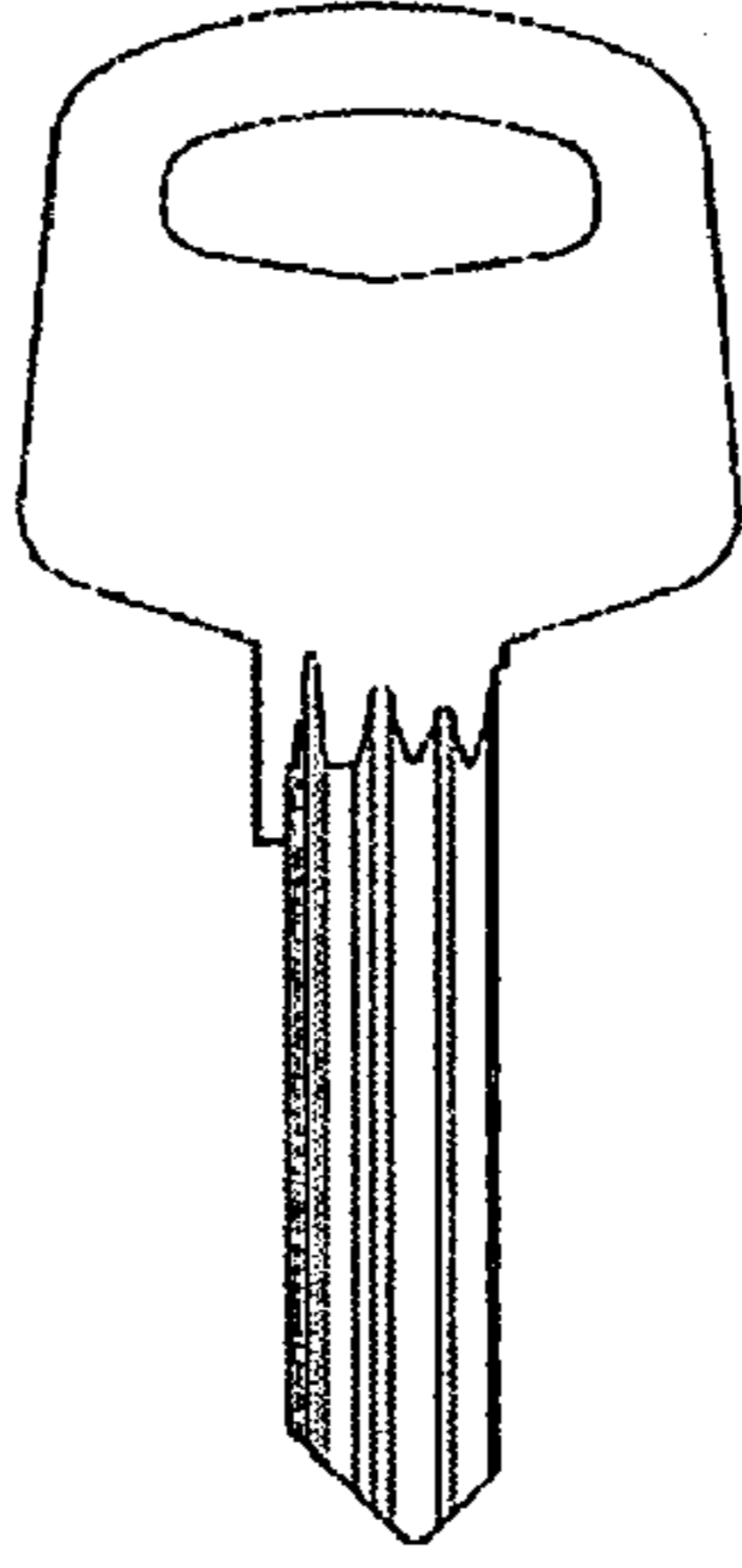


FIG. 5

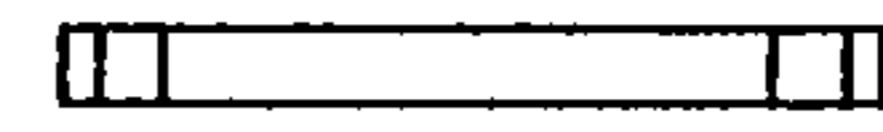


FIG. 6



FIG. 7