



US00D553950S

(12) **United States Design Patent**
Flory

(10) **Patent No.:** **US D553,950 S**

(45) **Date of Patent:** **** Oct. 30, 2007**

(54) **SASH LOCK HOUSING**

(75) Inventor: **Edward C. Flory**, Crown Point, IN
(US)

(73) Assignee: **Newell Operating Company**, Atlanta,
GA (US)

(**) Term: **14 Years**

(21) Appl. No.: **29/263,609**

(22) Filed: **Jul. 26, 2006**

(51) **LOC (8) Cl.** **08-07**

(52) **U.S. Cl.** **D8/343**

(58) **Field of Classification Search** D8/330-348;
70/141, 81; 292/336.3, 347, 358, 359, DIG. 20,
292/DIG. 47, 217, 224, 202, 204, 32, 175,
292/228, 241, 242; 49/181, 185

See application file for complete search history.

(56) **References Cited**

U.S. PATENT DOCUMENTS

166,842 A 8/1875 Berryman
176,360 A 6/1876 Cooper
178,360 A 6/1876 Cooper
201,146 A 3/1878 Adler

(Continued)

FOREIGN PATENT DOCUMENTS

GB 341207 1/1931

(Continued)

OTHER PUBLICATIONS

P. 21, Home Protection Hardware Catalog Pricelist, dated Jul. 1986.

Primary Examiner—Mitchell Siegel

(74) *Attorney, Agent, or Firm*—Banner & Witcoff, Ltd.

(57) **CLAIM**

We claim the ornamental design for a sash lock housing, as shown and described.

DESCRIPTION

FIG. 1 is a perspective view of the sash lock housing of the present invention;

FIG. 2 is a side view of the sash lock housing shown in FIG. 1, the opposite side view being identical thereto;

FIG. 3 is a top plan view of the sash lock housing shown in FIG. 1;

FIG. 4 is a front elevation view of the sash lock housing shown in FIG. 1;

FIG. 5 is a perspective view of an alternative embodiment of the sash lock housing of the present invention;

FIG. 6 is a side view of the sash lock housing shown in FIG. 5, the opposite side view being identical thereto;

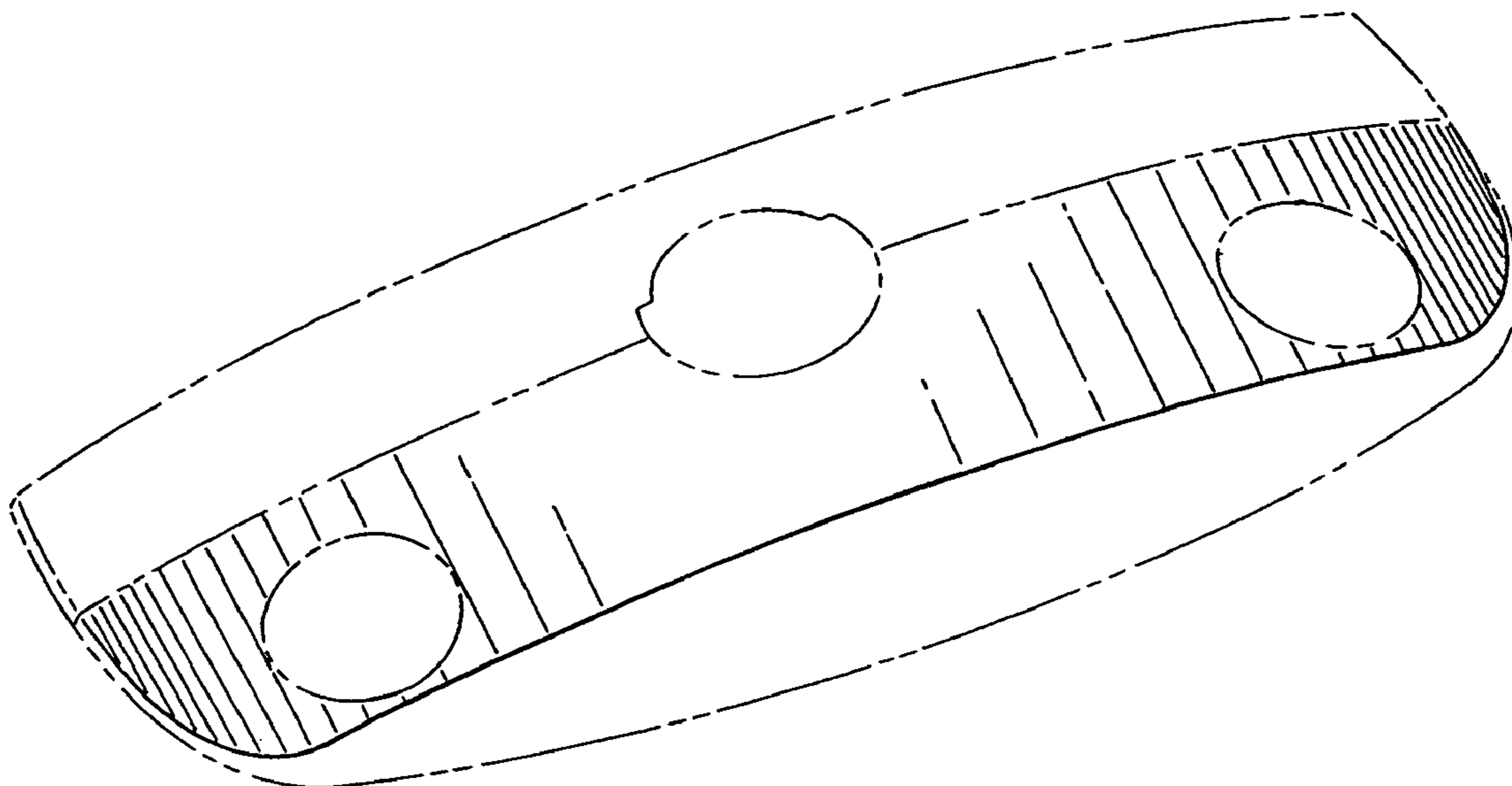
FIG. 7 is a top plan view of the sash lock housing shown in FIG. 5; and,

FIG. 8 is a front elevation view of the sash lock housing shown in FIG. 5.

The bottom views and rear elevation views are plain and unornamented.

Features shown in broken lines in the drawings are not part of the claim.

1 Claim, 2 Drawing Sheets



US D553,950 S

Page 2

U.S. PATENT DOCUMENTS					
		4,587,759	A	5/1986	Gray
		4,621,847	A	11/1986	Paulson et al.
		4,624,073	A	11/1986	Randall
		4,639,021	A	1/1987	Hope
		4,643,005	A	2/1987	Logas
336,302	A 2/1886	D293,548	S *	1/1988	Bates et al. D8/337
346,788	A 8/1886	4,736,972	A	4/1988	Mosch
376,252	A 1/1888	D295,948	S *	5/1988	Mandell D8/337
410,728	A 9/1889	4,801,164	A	1/1989	Mosch
480,148	A 8/1892	4,813,725	A	3/1989	Mosch
509,941	A 12/1893	4,827,685	A	5/1989	Schmidt
512,593	A 1/1894	4,893,849	A	1/1990	Schlack
526,118	A 9/1894	4,922,658	A	5/1990	Coddens
551,242	A 12/1895	4,949,506	A	8/1990	Durham, Jr.
590,225	A 9/1897	4,961,286	A	10/1990	Bezubic
722,162	A 3/1903	5,042,855	A	8/1991	Bennett et al.
759,642	A 5/1904	5,072,464	A	12/1991	Draheim et al.
878,206	A 2/1908	5,076,015	A	12/1991	Manzalini
948,628	A 2/1910	5,087,087	A	2/1992	Vetter et al.
966,063	A 8/1910	5,087,088	A	2/1992	Milam
980,131	A 12/1910	5,090,750	A	2/1992	Lindqvist
998,642	A 7/1911	5,110,165	A	5/1992	Piltingsrud
1,006,211	A 10/1911	5,127,685	A	7/1992	Dallaire et al.
1,041,803	A 10/1912	5,139,291	A	8/1992	Schultz
1,051,918	A 2/1913	5,143,412	A	9/1992	Lindqvist
1,059,999	A 4/1913	5,161,839	A	11/1992	Piltingsrud et al.
1,141,437	A 6/1915	5,165,737	A	11/1992	Riegelman
1,198,166	A 9/1916	5,183,310	A	2/1993	Shaughnessy
1,243,115	A 10/1917	5,219,193	A	6/1993	Piltingsrud
1,253,810	A 1/1918	5,244,238	A	9/1993	Lindqvist
1,270,740	A 6/1918	5,274,955	A	1/1994	Dallaire et al.
1,393,628	A 10/1921	5,341,752	A	8/1994	Hambleton
1,550,532	A 8/1925	5,398,447	A	3/1995	Morse
1,552,690	A 9/1925	5,437,484	A	8/1995	Yamada
1,704,946	A 3/1929	5,454,609	A	10/1995	Slocomb et al.
1,712,792	A 5/1929	D366,409	S	1/1996	Delaske
1,715,957	A 6/1929	5,560,149	A	10/1996	Lafevre
1,794,171	A 2/1931	5,582,445	A	12/1996	Olsen et al.
1,964,114	A 12/1931	RE35,463	E	2/1997	Vetter et al.
1,864,253	A 6/1932	5,636,475	A	6/1997	Nidelkoff
1,869,274	A 7/1932	D380,957	S *	7/1997	Evans et al. D8/337
1,901,974	A 3/1933	D382,191	S *	8/1997	Plummer D8/337
1,922,062	A 8/1933	D382,192	S *	8/1997	Plummer D8/337
2,095,057	A 10/1937	5,688,000	A	11/1997	Dolman
2,122,661	A 7/1938	5,715,631	A	2/1998	Kailian et al.
2,126,995	A 8/1938	5,741,032	A	4/1998	Chaput
2,272,145	A 2/1942	5,791,700	A	8/1998	Biro
2,369,584	A 2/1945	5,829,196	A	11/1998	Maier
2,452,521	A 10/1948	5,873,199	A	2/1999	Meunier et al.
2,500,849	A 3/1950	D408,263	S *	4/1999	Briggs D8/337
2,537,736	A 1/1951	5,901,499	A	5/1999	Delaske et al.
2,766,492	A 10/1956	5,911,763	A	6/1999	Quesada
2,818,919	A 1/1958	5,970,656	A	10/1999	Maier
3,027,188	A 3/1962	5,992,907	A	11/1999	Sheldon et al.
3,187,526	A 6/1965	D418,737	S *	1/2000	Libby et al. D8/337
3,362,740	A 1/1968	6,086,121	A	7/2000	Buckland
3,438,153	A 4/1969	6,116,665	A	9/2000	Subliskey
3,599,452	A 8/1971	6,135,510	A	10/2000	Diginosa
3,645,573	A 2/1972	6,139,071	A	10/2000	Hopper
3,655,230	A 4/1972	6,142,541	A	11/2000	Rotondi
3,683,652	A 8/1972	6,155,615	A	12/2000	Schultz
3,811,718	A 5/1974	6,161,335	A	12/2000	Beard et al.
3,919,808	A 11/1975	6,176,041	B1	1/2001	Roberts
4,068,871	A 1/1978	6,178,696	B1	1/2001	Liang
4,151,682	A 5/1979	6,183,024	B1	2/2001	Schultz et al.
4,165,894	A 8/1979	6,209,931	B1	4/2001	Stoutenborough et al.
4,227,345	A 10/1980	6,217,087	B1	4/2001	Fuller
4,253,688	A 3/1981	6,230,443	B1	5/2001	Schultz
4,303,264	A 12/1981	6,257,303	B1	7/2001	Coubray et al.
4,305,612	A 12/1981	6,279,266	B1	8/2001	Searcy
4,392,329	A 7/1983	6,422,287	B1	7/2002	Wilke
4,470,277	A 9/1984	6,478,347	B1	11/2002	Timothy
4,475,311	A 10/1984	6,523,868	B1	2/2003	Timothy
4,475,311	A 10/1984				
4,525,952	A 7/1985				
4,558,174	A 12/1985				
4,580,366	A 4/1986				

US D553,950 S

Page 3

6,546,671 B2	4/2003	Mitchell et al.	7,017,957 B2 *	3/2006	Murphy et al.	292/241
6,565,133 B1	5/2003	Timothy	D527,613 S *	9/2006	Omangi et al.	D8/331
6,568,723 B2	5/2003	Murphy et al.	7,159,908 B2 *	1/2007	Liang	292/242
6,588,150 B1	7/2003	Wong et al.	D536,950 S *	2/2007	Liang et al.	D8/331
6,592,155 B1	7/2003	Lemley et al.	D539,634 S *	4/2007	Tanaka et al.	D8/333
6,607,221 B1	8/2003	Elliott	2001/0005995 A1 *	7/2001	Subliskey	70/89
6,634,683 B1 *	10/2003	Brannan	2007/0046036 A1 *	3/2007	Kinsey	292/228
D481,933 S	11/2003	Smith et al.				
6,817,142 B2	11/2004	Marshik				
6,871,885 B2	3/2005	Goldenberg et al.				
6,871,886 B2 *	3/2005	Coleman et al.	292/241			
6,983,963 B2 *	1/2006	Eslick et al.	292/242			
7,000,957 B2 *	2/2006	Lawrence	292/241			

FOREIGN PATENT DOCUMENTS

GB	2026594	2/1980
----	---------	--------

* cited by examiner

FIG. 1

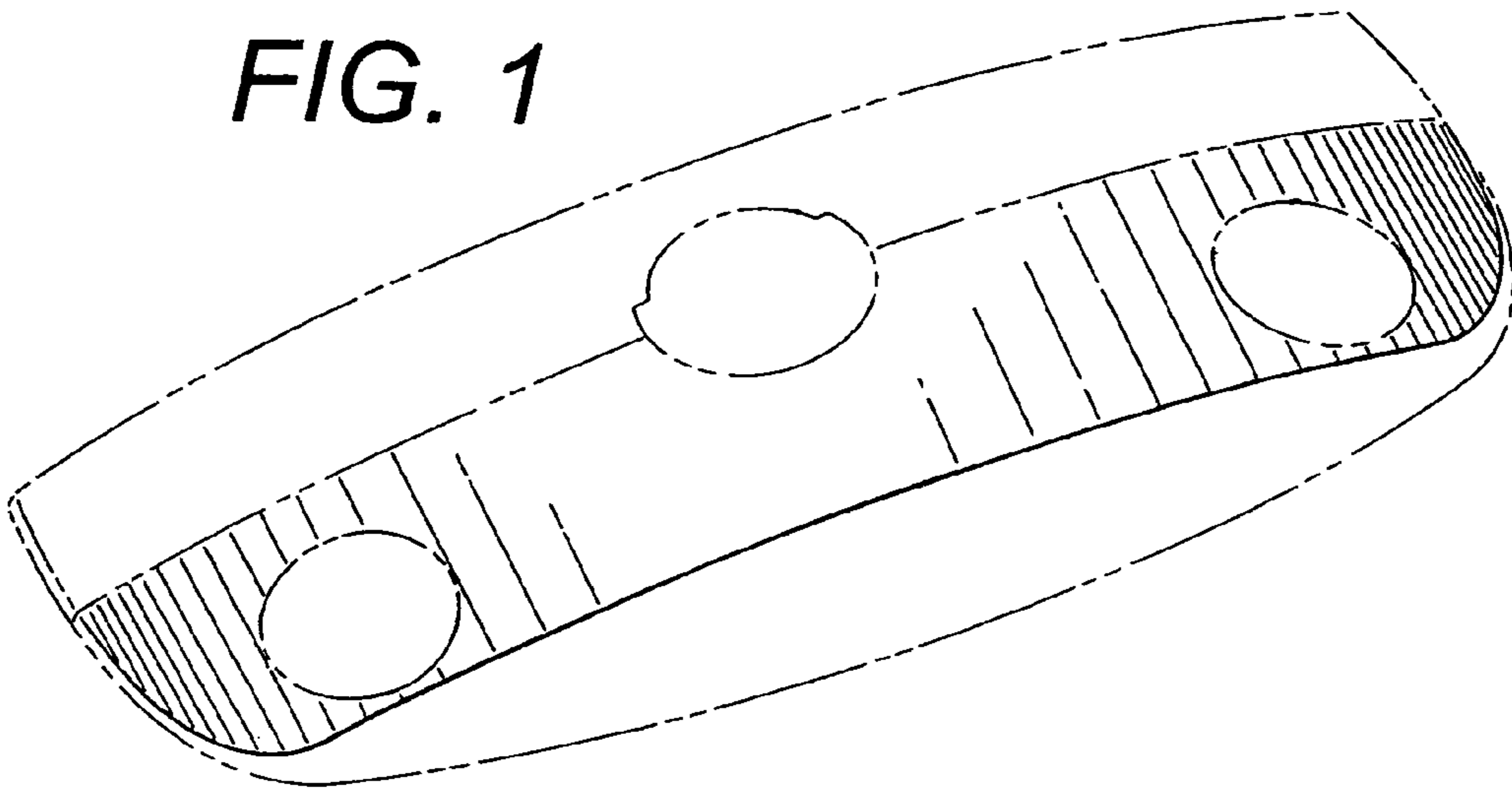


FIG. 2

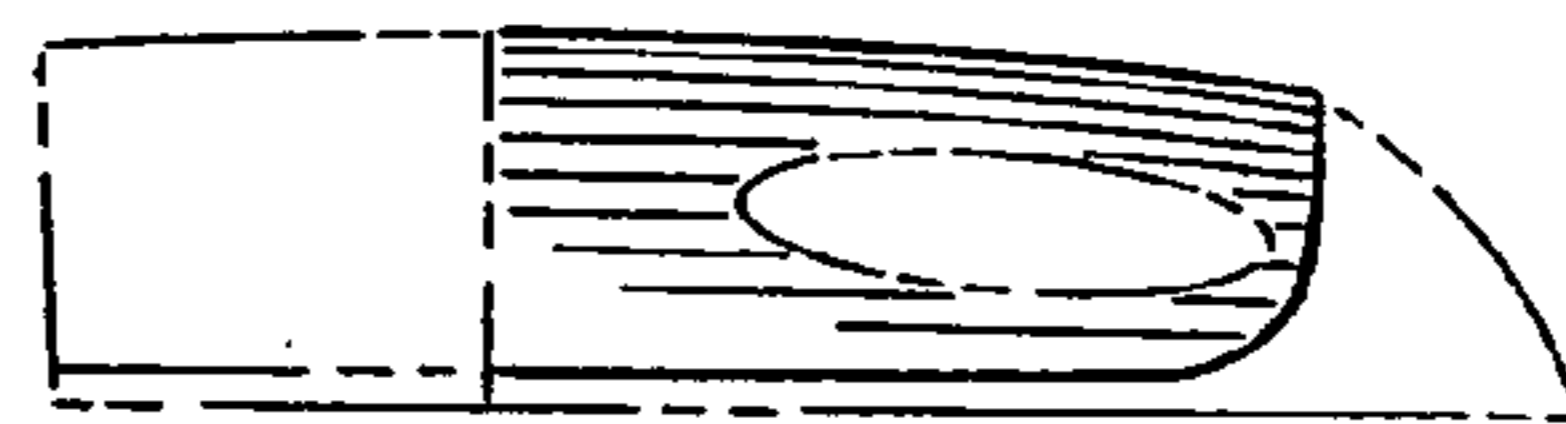


FIG. 3

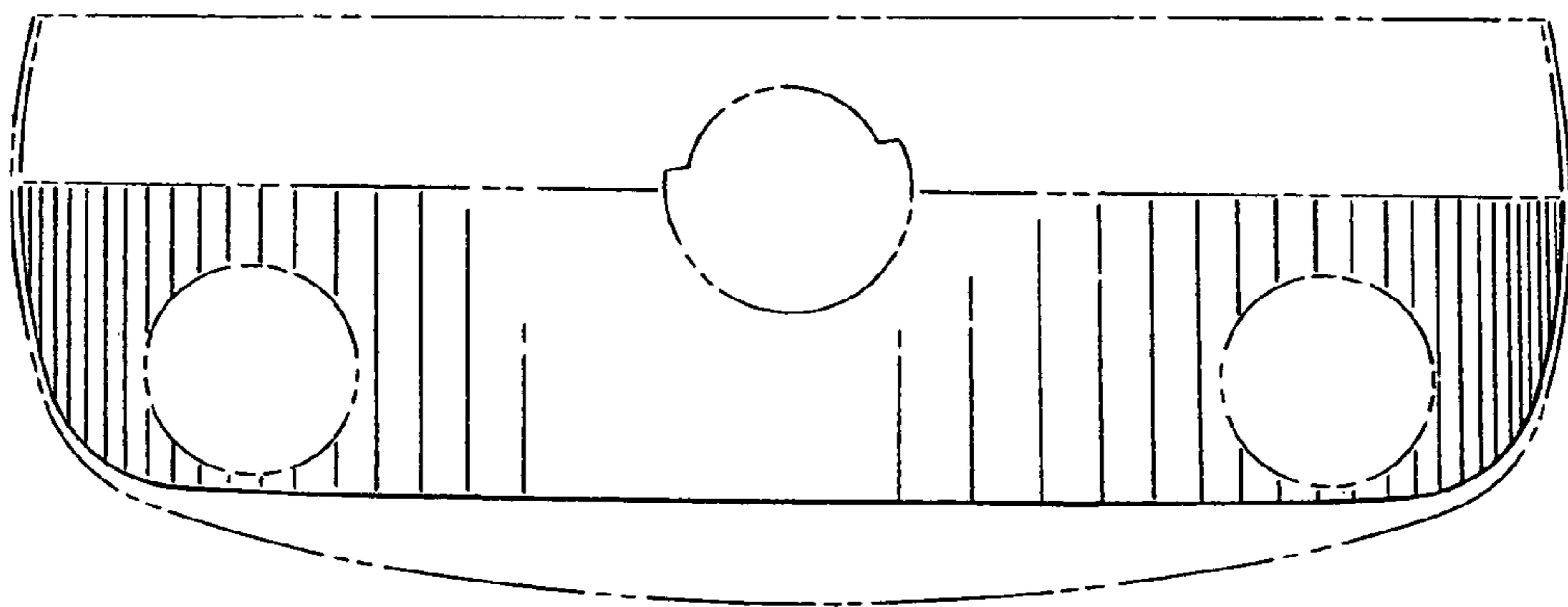


FIG. 4

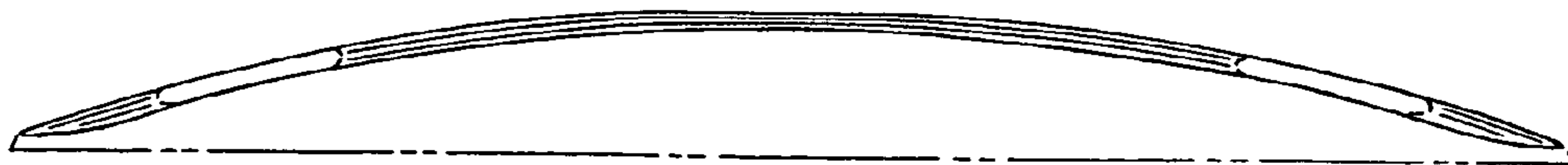


FIG. 5

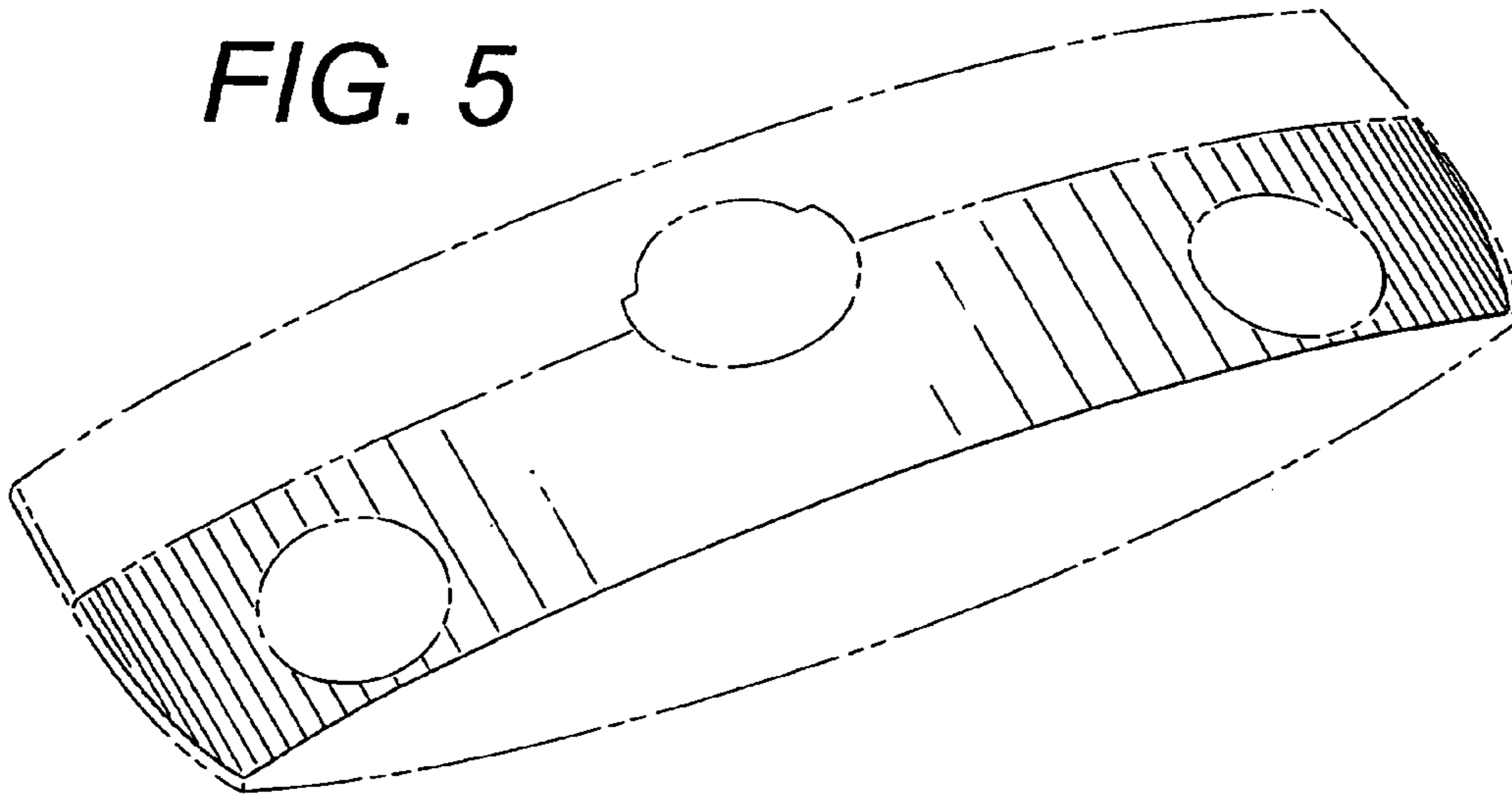


FIG. 6

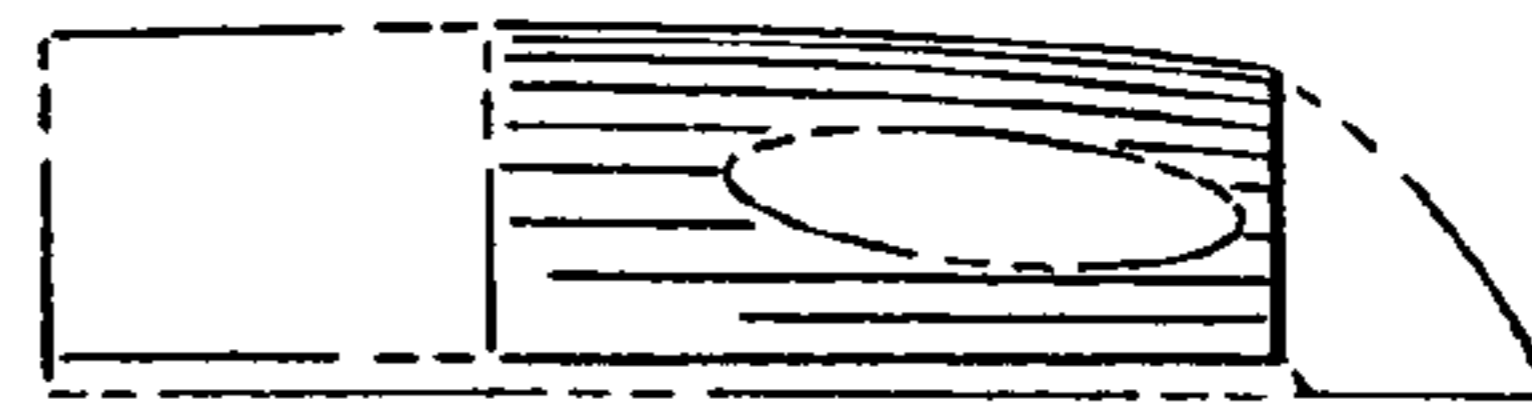


FIG. 7

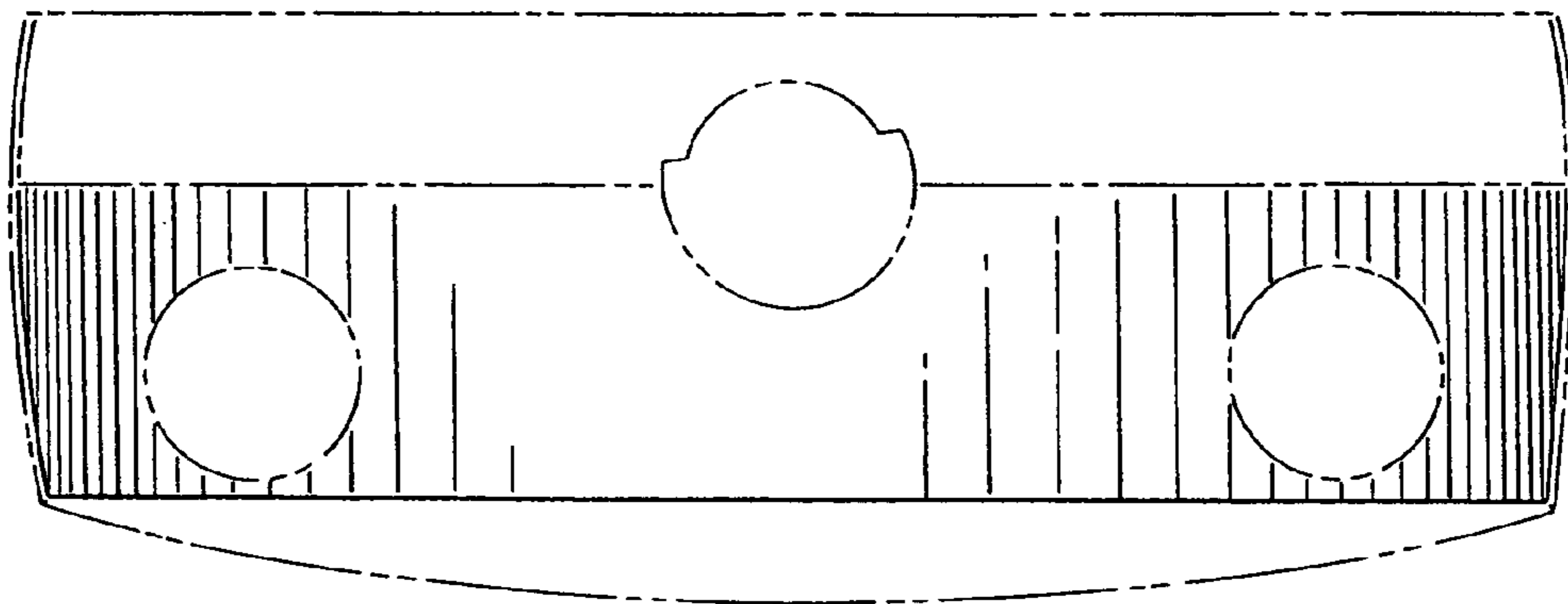


FIG. 8

