



US00D553948S

(12) **United States Design Patent** (10) **Patent No.:** **US D553,948 S**
Beed (45) **Date of Patent:** **** Oct. 30, 2007**

(54) **PORTABLE DEVICE FASTENER PORTION**

(76) Inventor: **Rick Beed**, 2132 Westlake Ave. North, Seattle, WA (US) 98109

(**) Term: **14 Years**

(21) Appl. No.: **29/238,933**

(22) Filed: **Sep. 22, 2005**

(51) **LOC (8) Cl.** **08-07**

(52) **U.S. Cl.** **D8/333**

(58) **Field of Classification Search** D8/330-348;
70/14, 21-29, 31-49, 50-52

See application file for complete search history.

(56) **References Cited**

U.S. PATENT DOCUMENTS

D27,264 S *	6/1897	Frain	D8/334
D27,265 S *	6/1897	Frain	D8/334
D32,638 S *	5/1900	Voight	D8/334
D530,184 S *	10/2006	Oas	D8/333

* cited by examiner

Primary Examiner—Mitchell Siegel

(74) *Attorney, Agent, or Firm*—Brian L. Johnson; Davis Wright Tremaine LLP

(57) **CLAIM**

The ornamental design for a portable device fastener portion, as shown and described.

DESCRIPTION

FIG. 1 is a front perspective view of a portable design fastener portion showing my new design.

FIG. 2 is a front elevational view thereof.

FIG. 3 is a rear elevational view thereof.

FIG. 4 is a right side elevational view thereof.

FIG. 5 is a left side elevational view thereof.

FIG. 6 is a top plan view thereof.

FIG. 7 is a bottom plan view thereof.

FIG. 8 is a front perspective view of a second embodiment thereof.

FIG. 9 is a front elevational view thereof.

FIG. 10 is a rear elevational view thereof.

FIG. 11 is a right side elevational view thereof.

FIG. 12 is a left side elevational view thereof.

FIG. 13 is a top plan view thereof.

FIG. 14 is a bottom plan view thereof.

FIG. 15 is a front perspective view of a third embodiment thereof.

FIG. 16 is a front elevational view thereof.

FIG. 17 is a rear elevational view thereof.

FIG. 18 is a right side elevational view thereof.

FIG. 19 is a left side elevational view thereof.

FIG. 20 is a top plan view thereof.

FIG. 21 is a bottom plan view thereof.

FIG. 22 is a front perspective view of a fourth embodiment thereof.

FIG. 23 is a front elevational view thereof.

FIG. 24 is a rear elevational view thereof.

FIG. 25 is a right side elevational view thereof.

FIG. 26 is a left side elevational view thereof.

FIG. 27 is a top plan view thereof.

FIG. 28 is a bottom plan view thereof.

FIG. 29 is a front perspective view of a fifth embodiment thereof.

FIG. 30 is a front elevational view thereof.

FIG. 31 is a rear elevational view thereof.

FIG. 32 is a right side elevational view thereof.

FIG. 33 is a left side elevational view thereof.

FIG. 34 is a top plan view thereof.

FIG. 35 is a bottom plan view thereof.

FIG. 36 is a front perspective view of a sixth embodiment thereof.

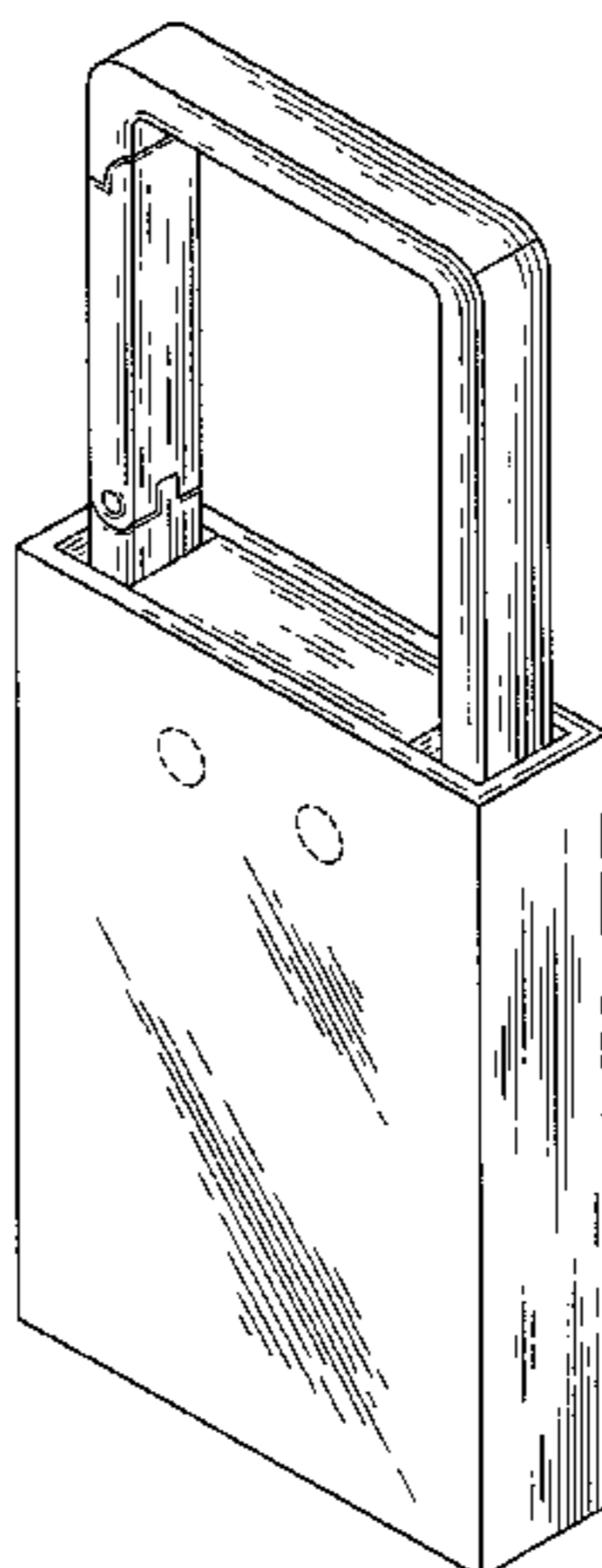


FIG. **37** is a front elevational view thereof.

FIG. **38** is a rear elevational view thereof.

FIG. **39** is a right side elevational view thereof.

FIG. **40** is a left side elevational view thereof.

FIG. **41** is a top plan view thereof; and,

FIG. **42** is a bottom plan view thereof.

The broken lines are for illustrative purposes only and form no part of the claimed design.

1 Claim, 36 Drawing Sheets

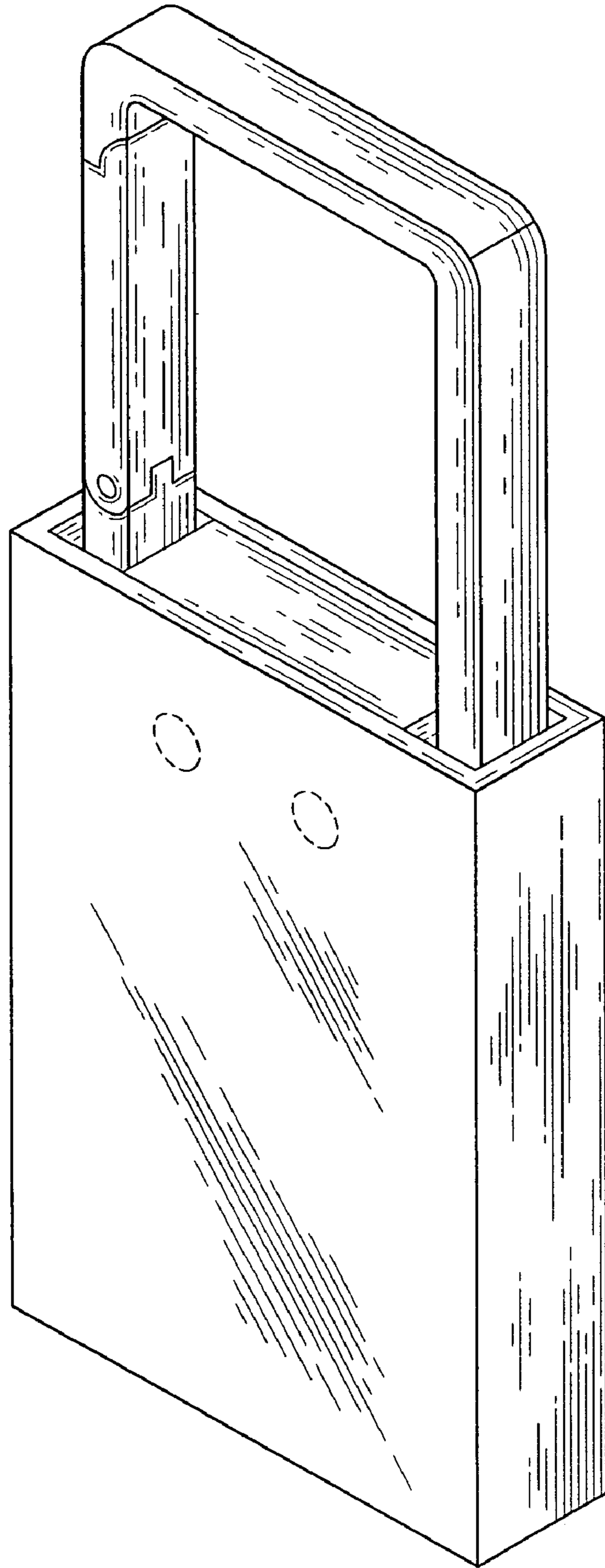


Fig. 1

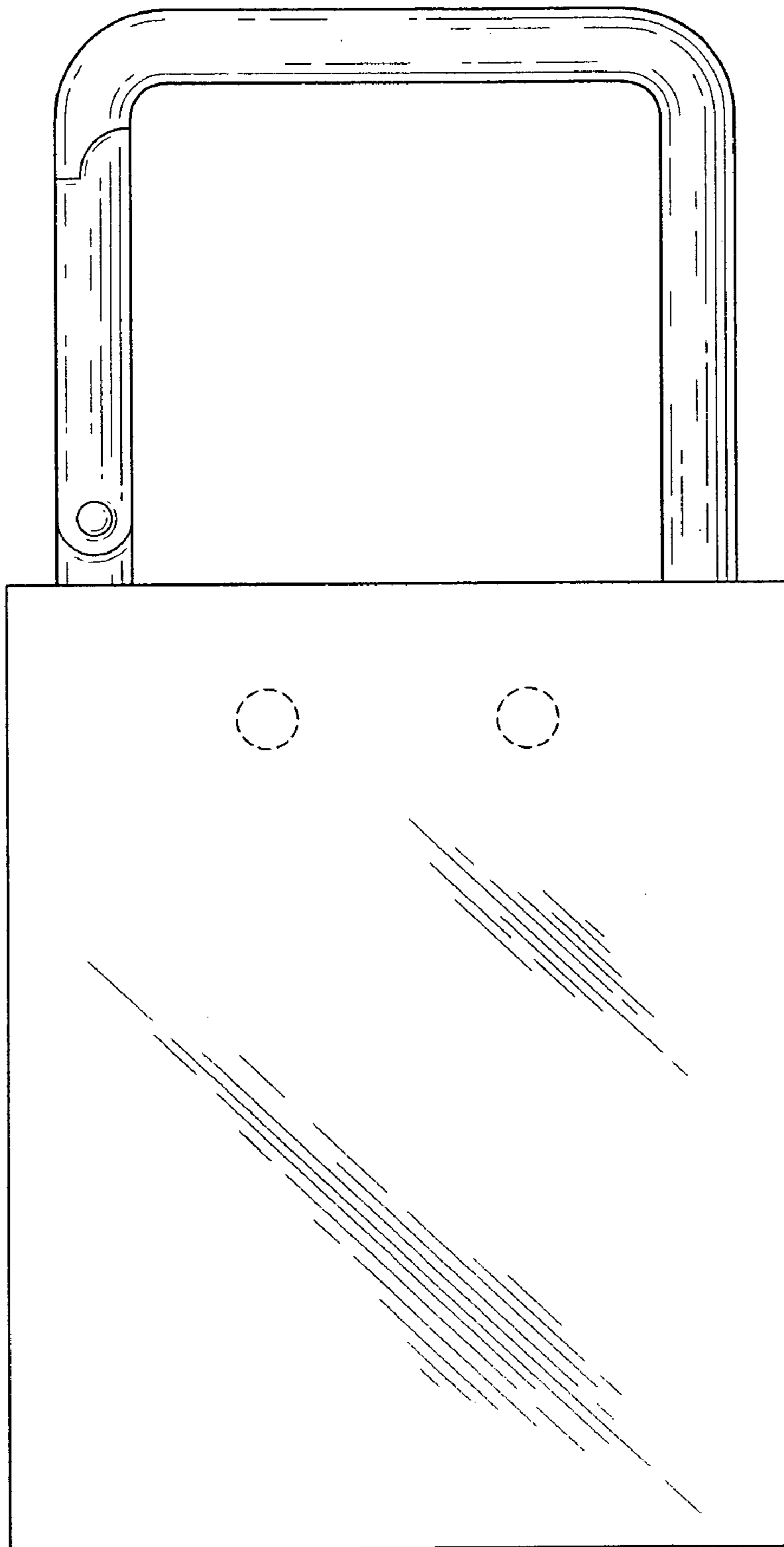


Fig. 2

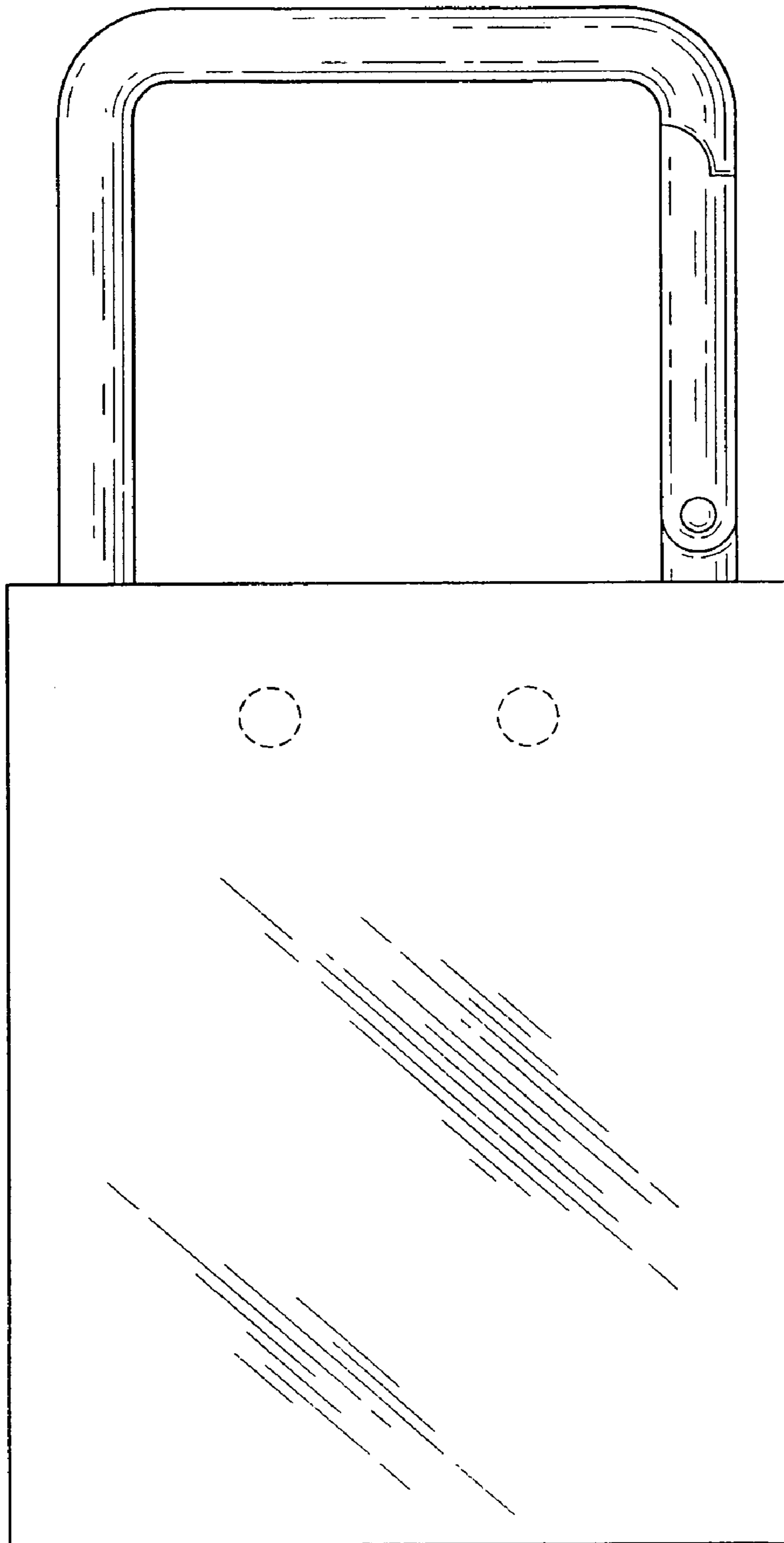


Fig. 3

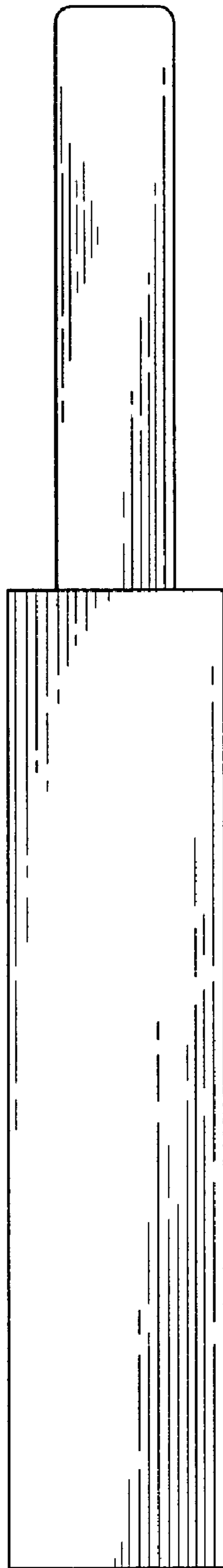


Fig. 4

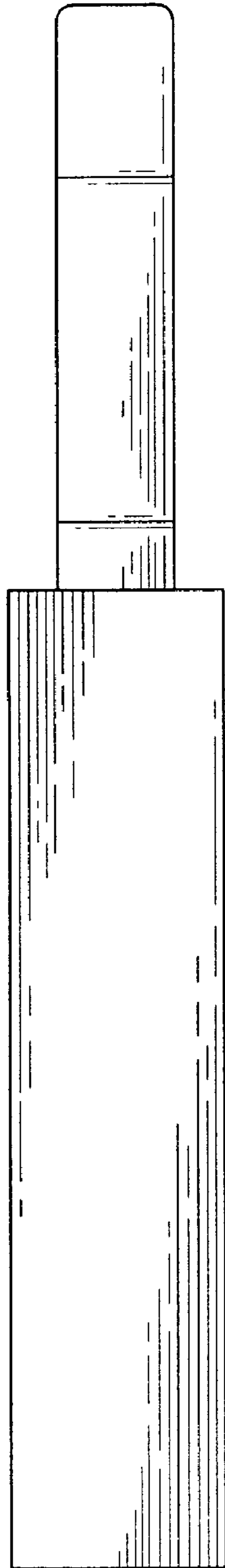


Fig. 5

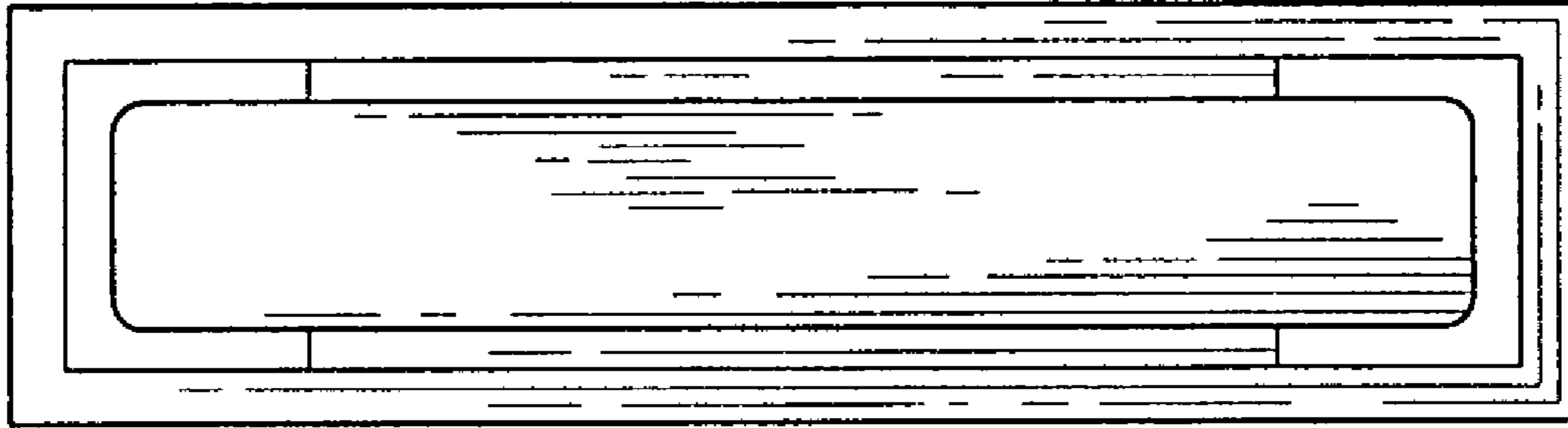


Fig. 6

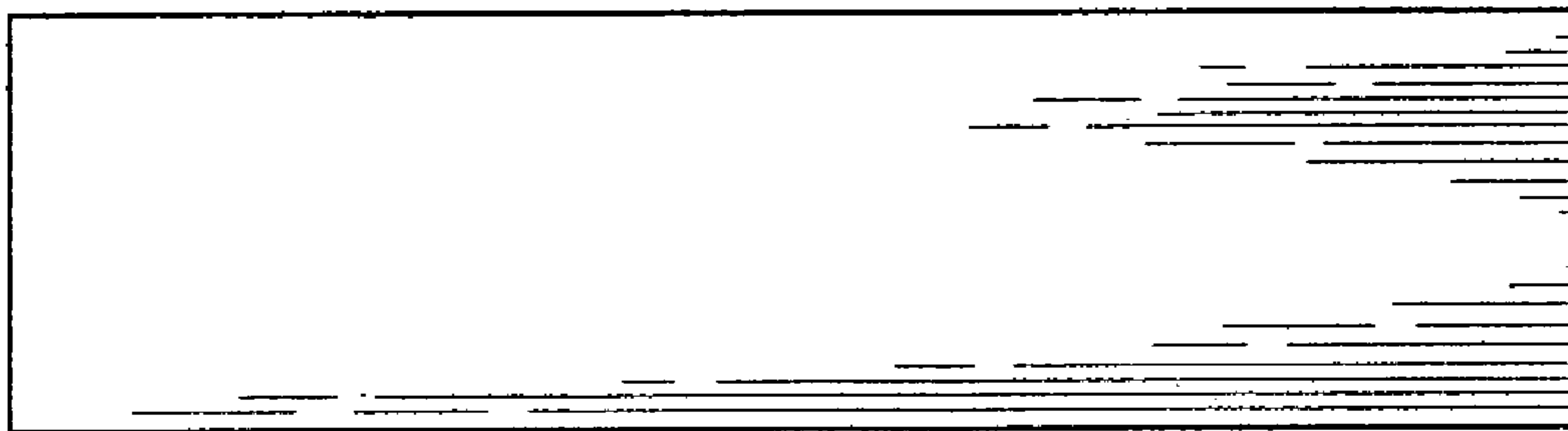


Fig. 7

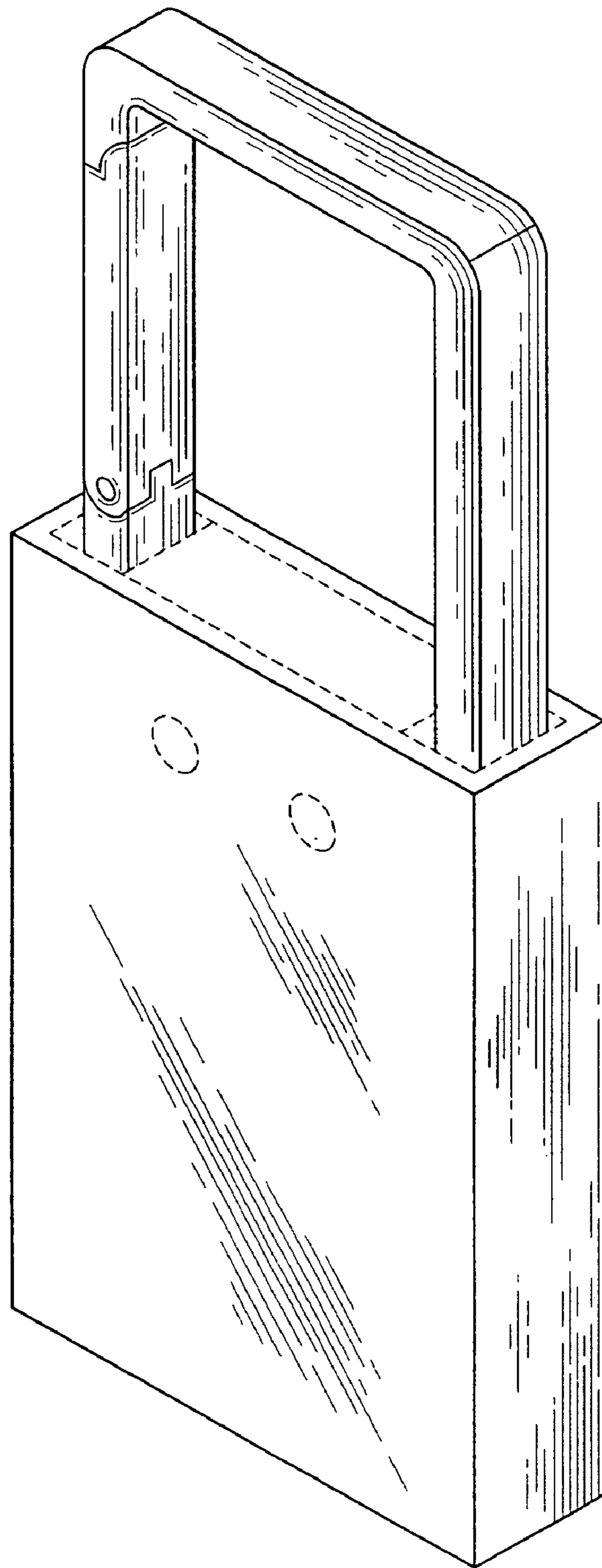


Fig. 8

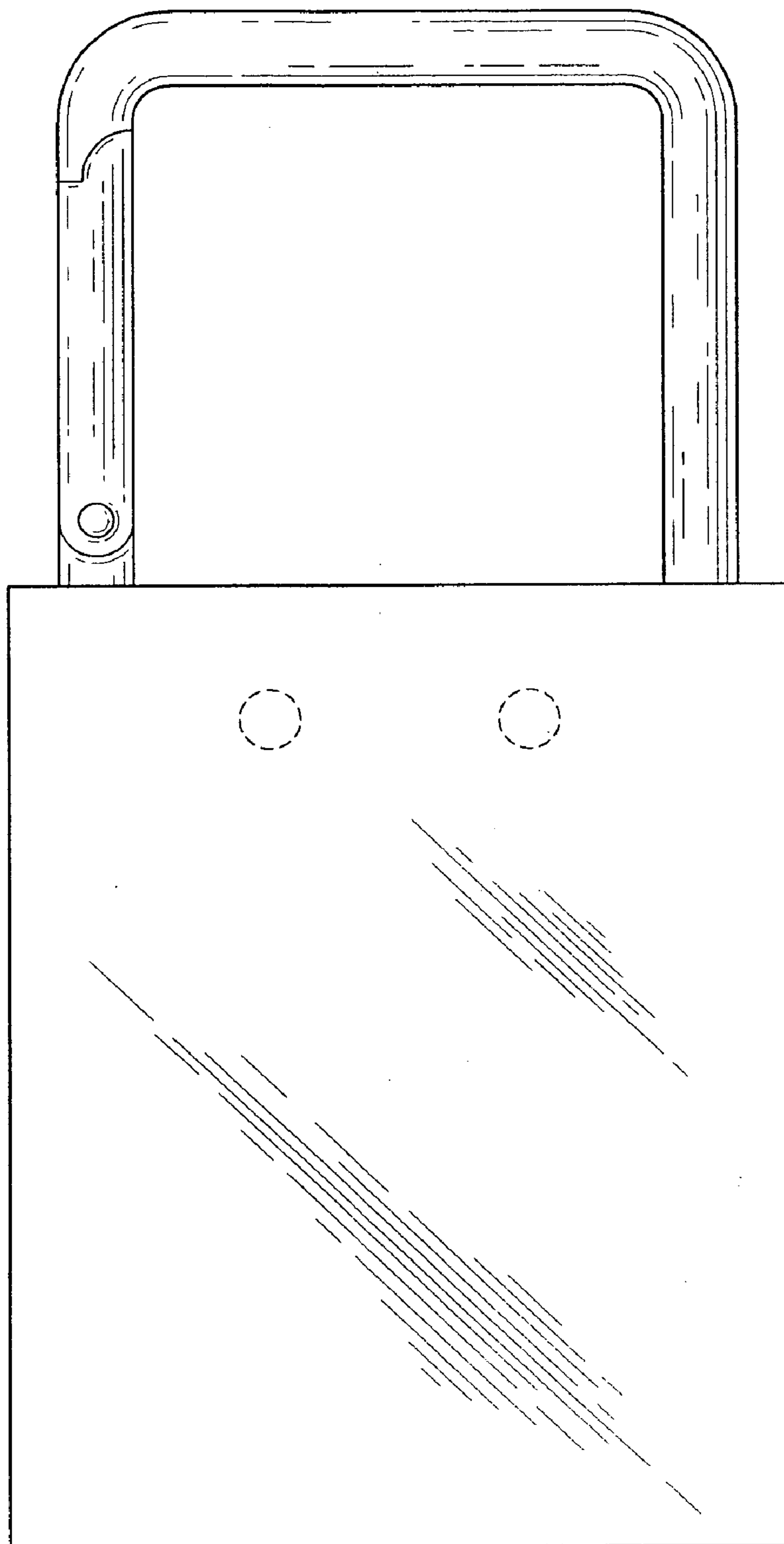


Fig. 9

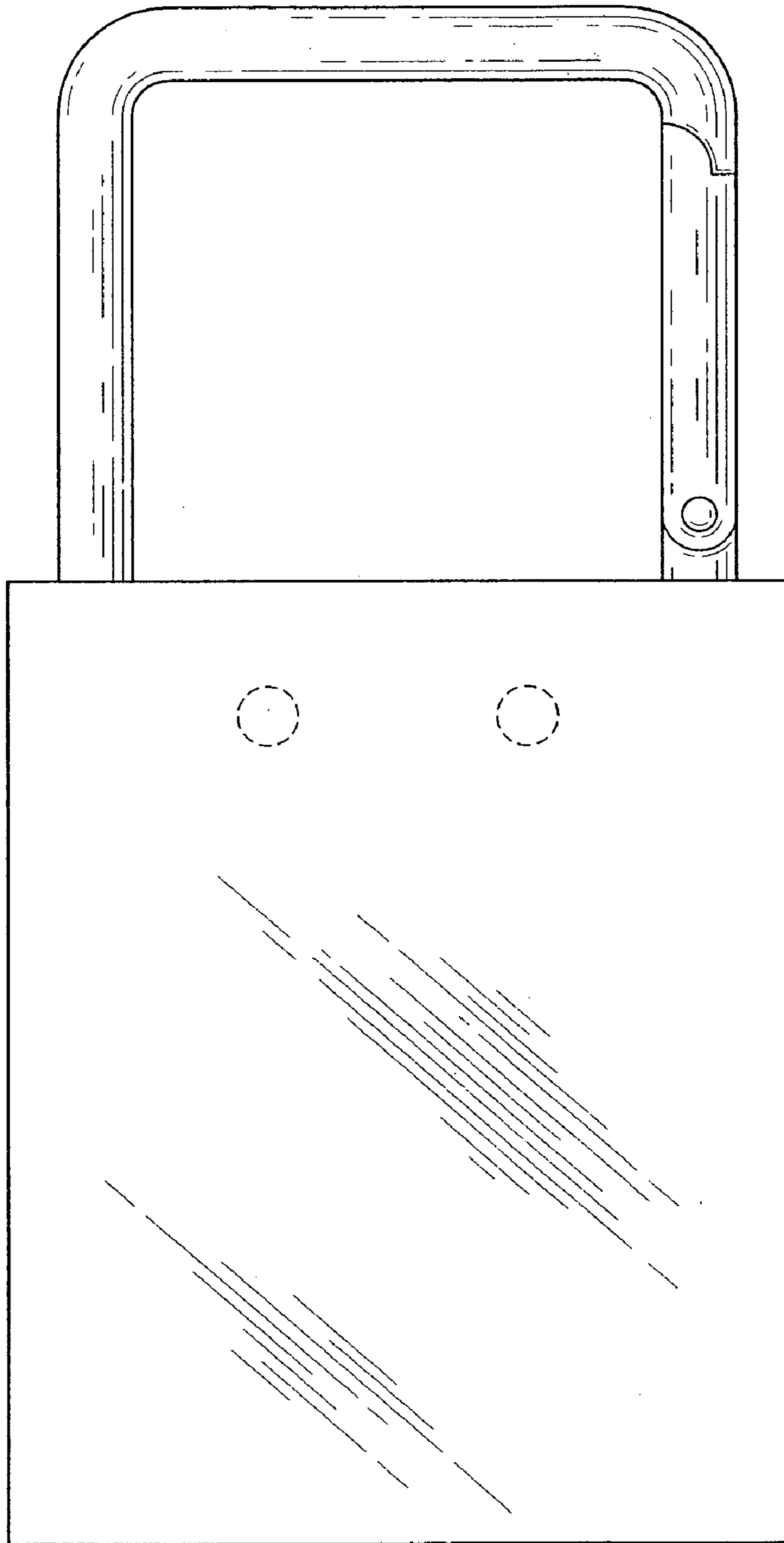


Fig. 10

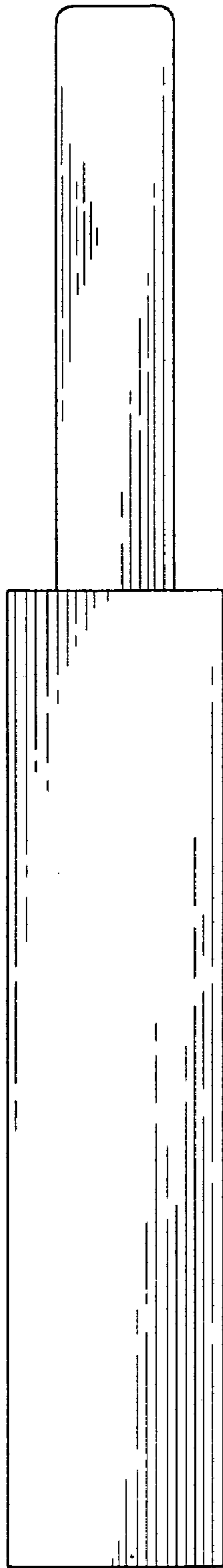


Fig. 11

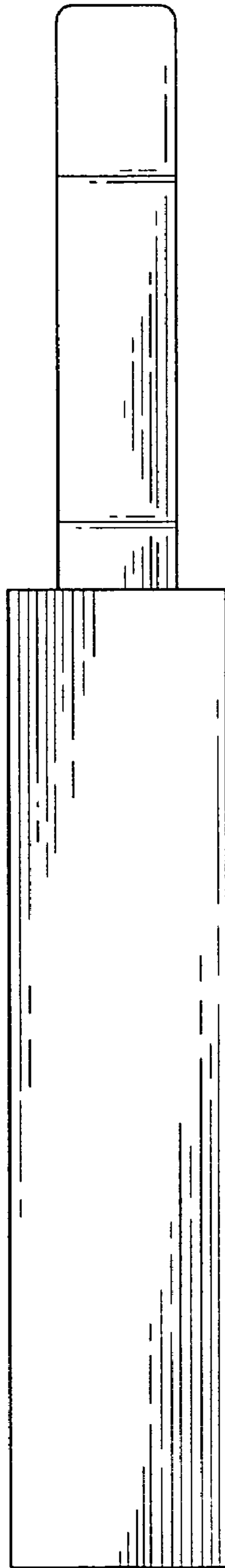


Fig. 12

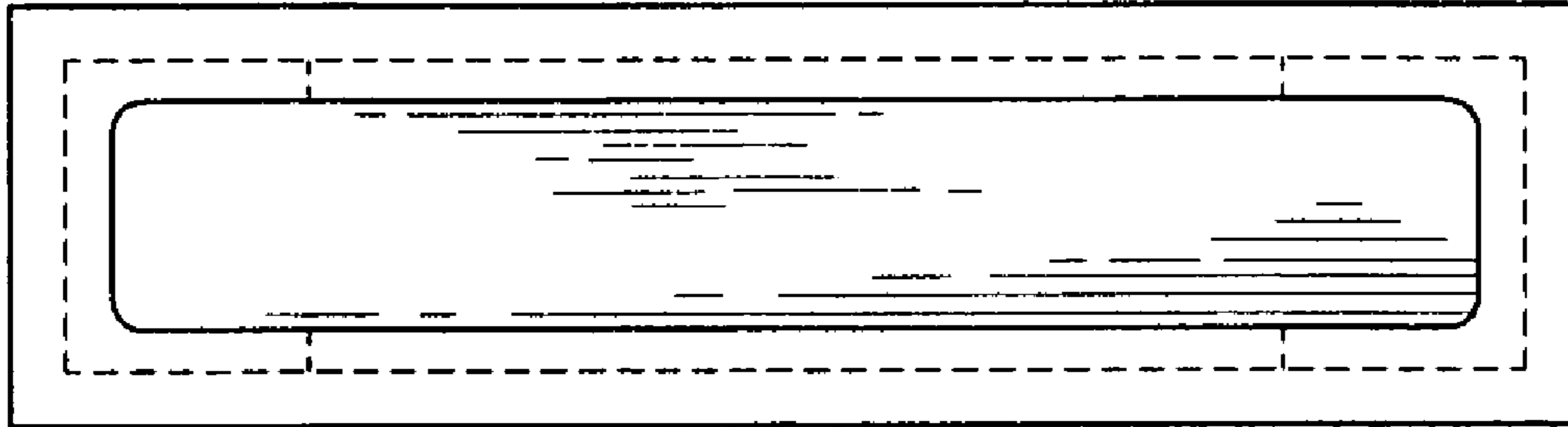


Fig. 13

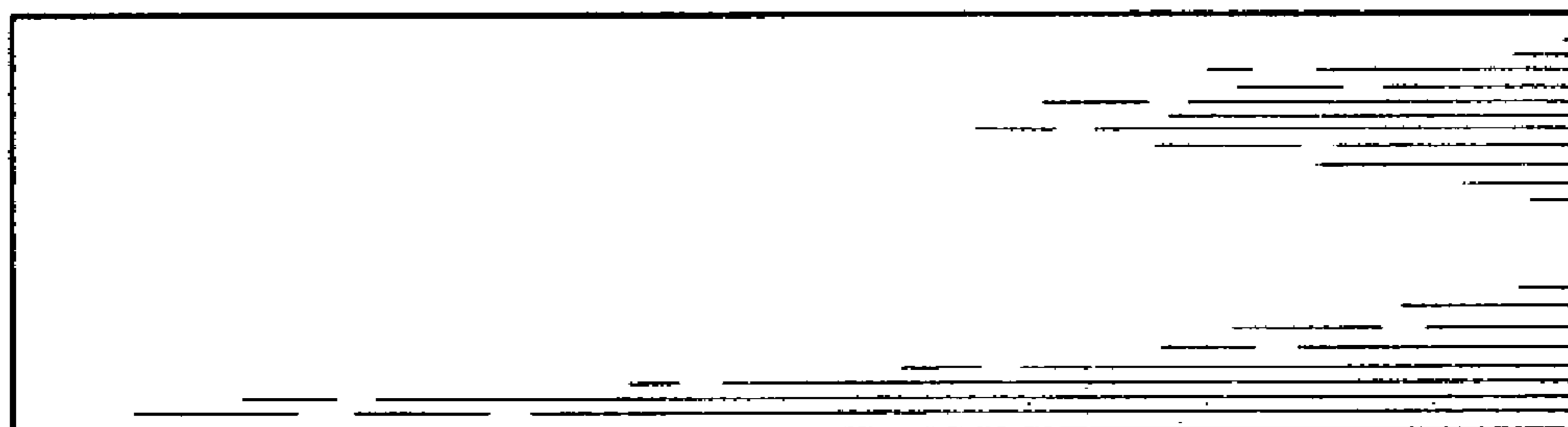


Fig. 14

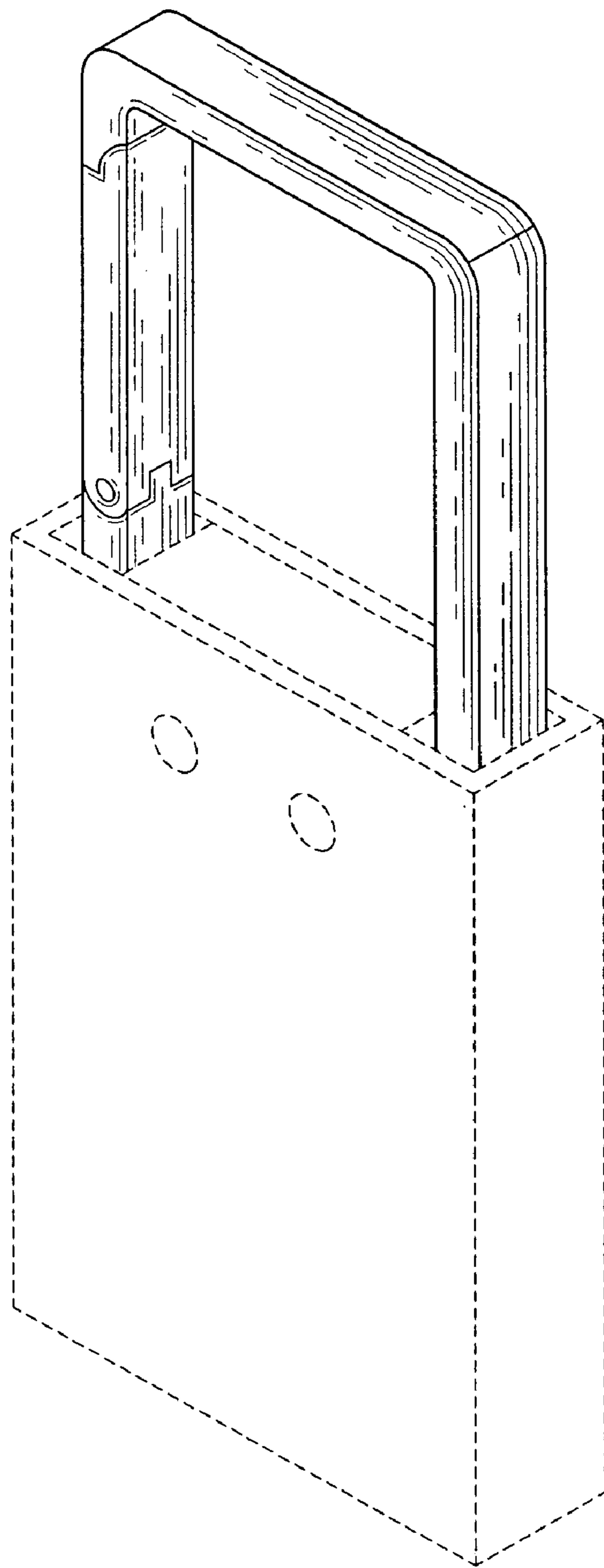


Fig. 15

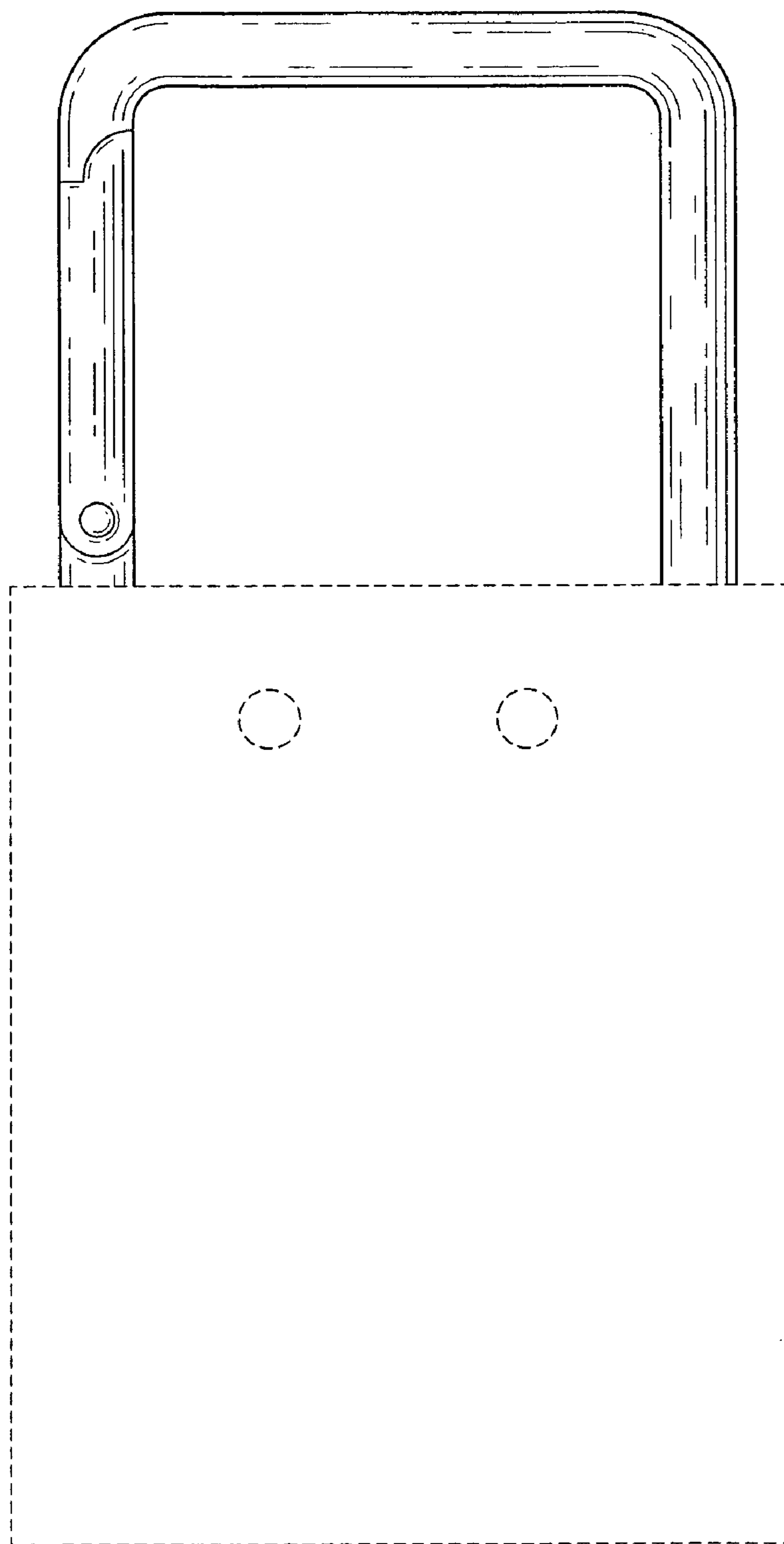


Fig. 16

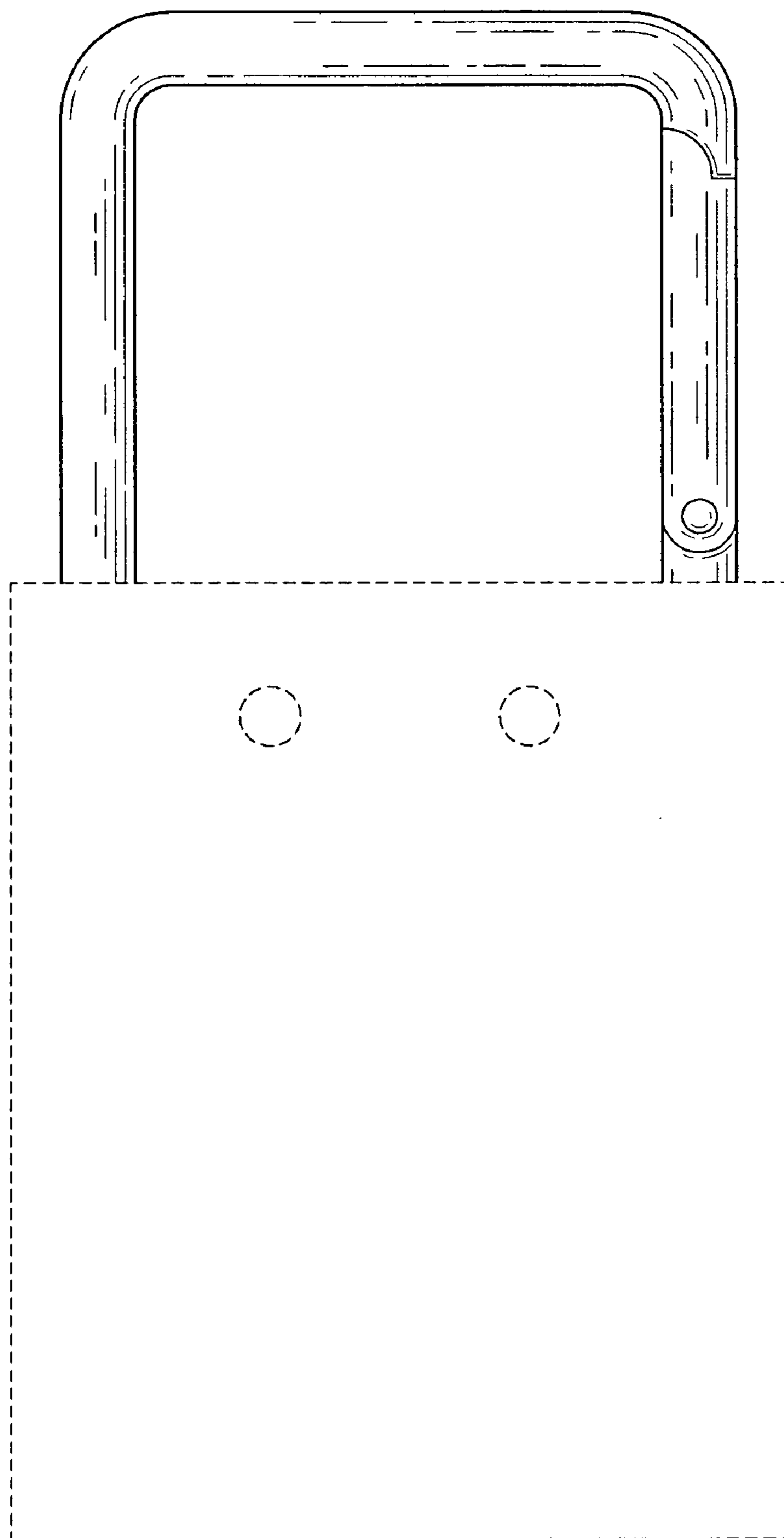


Fig. 17

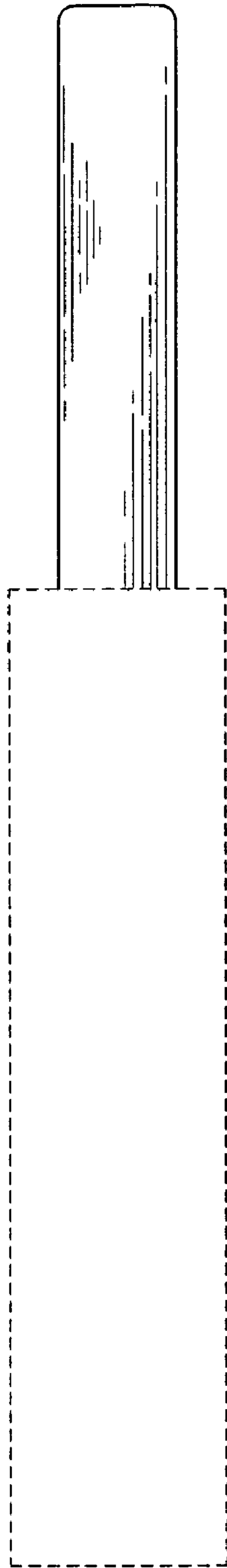


Fig. 18

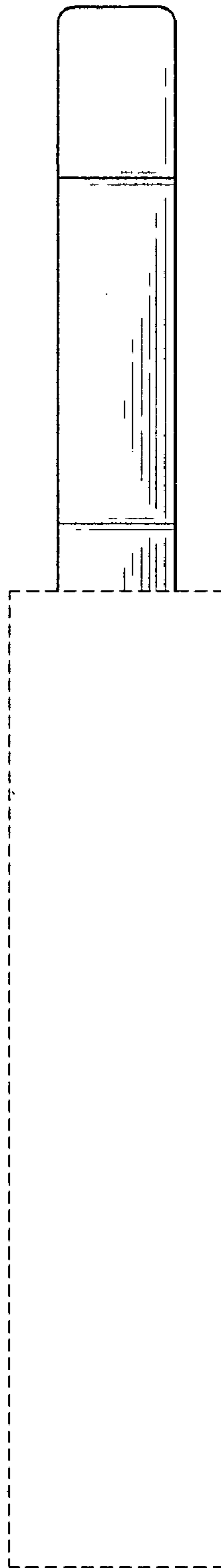


Fig. 19

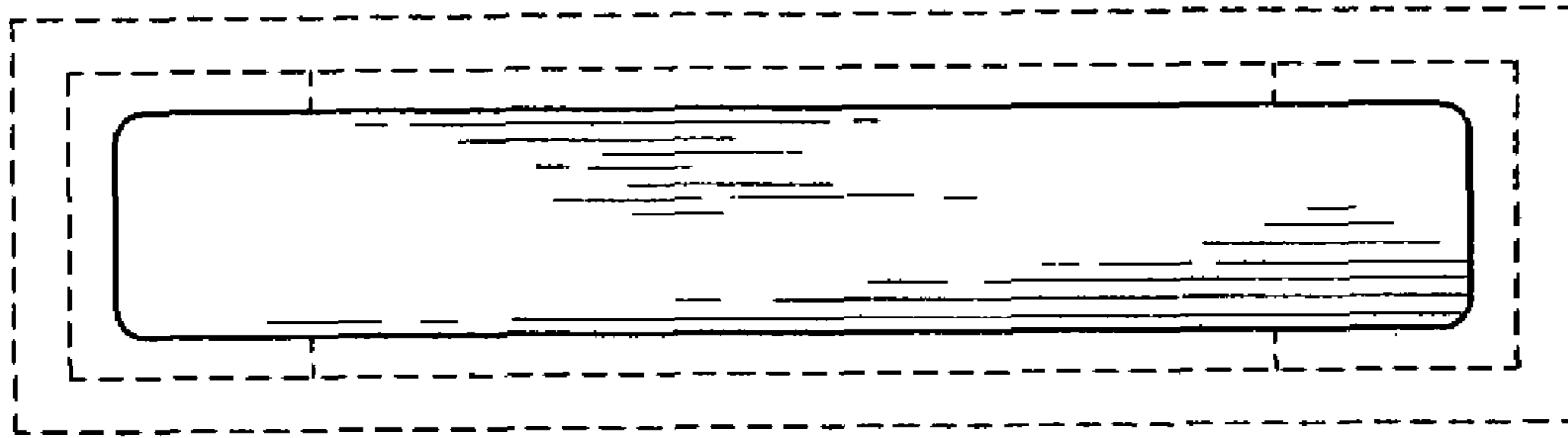


Fig. 20



Fig. 21

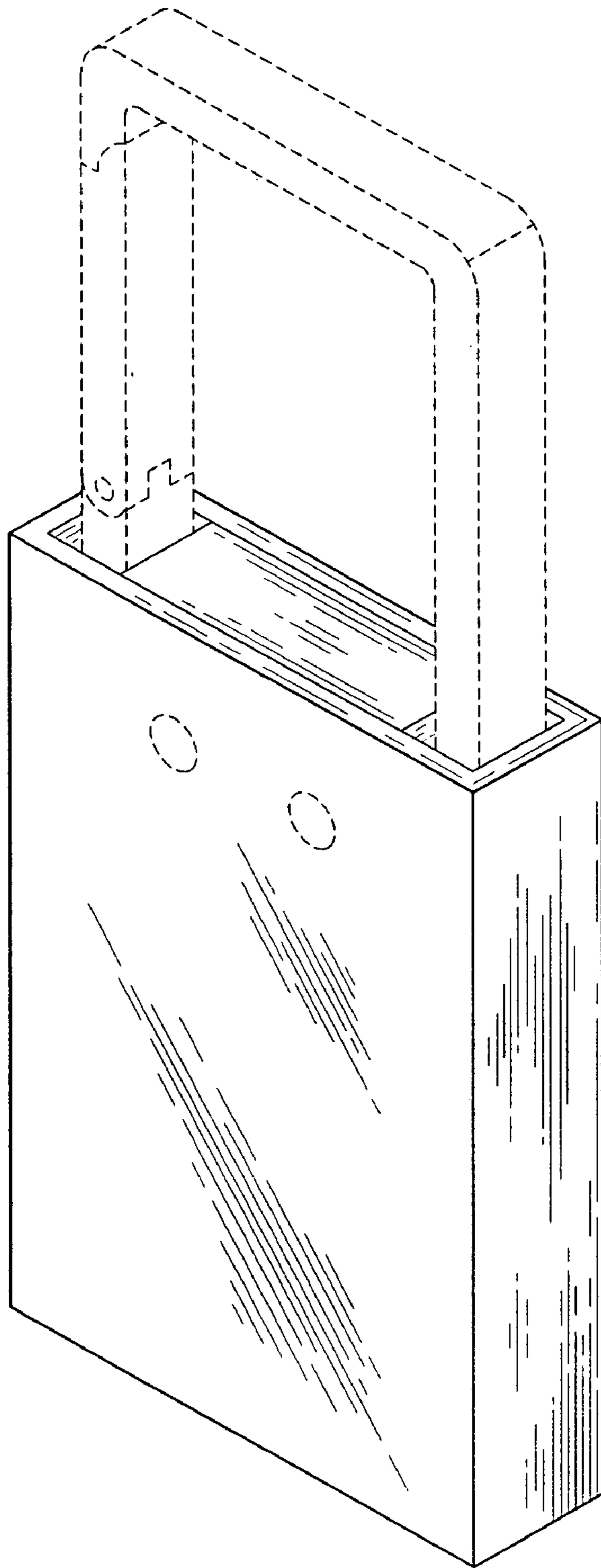


Fig. 22

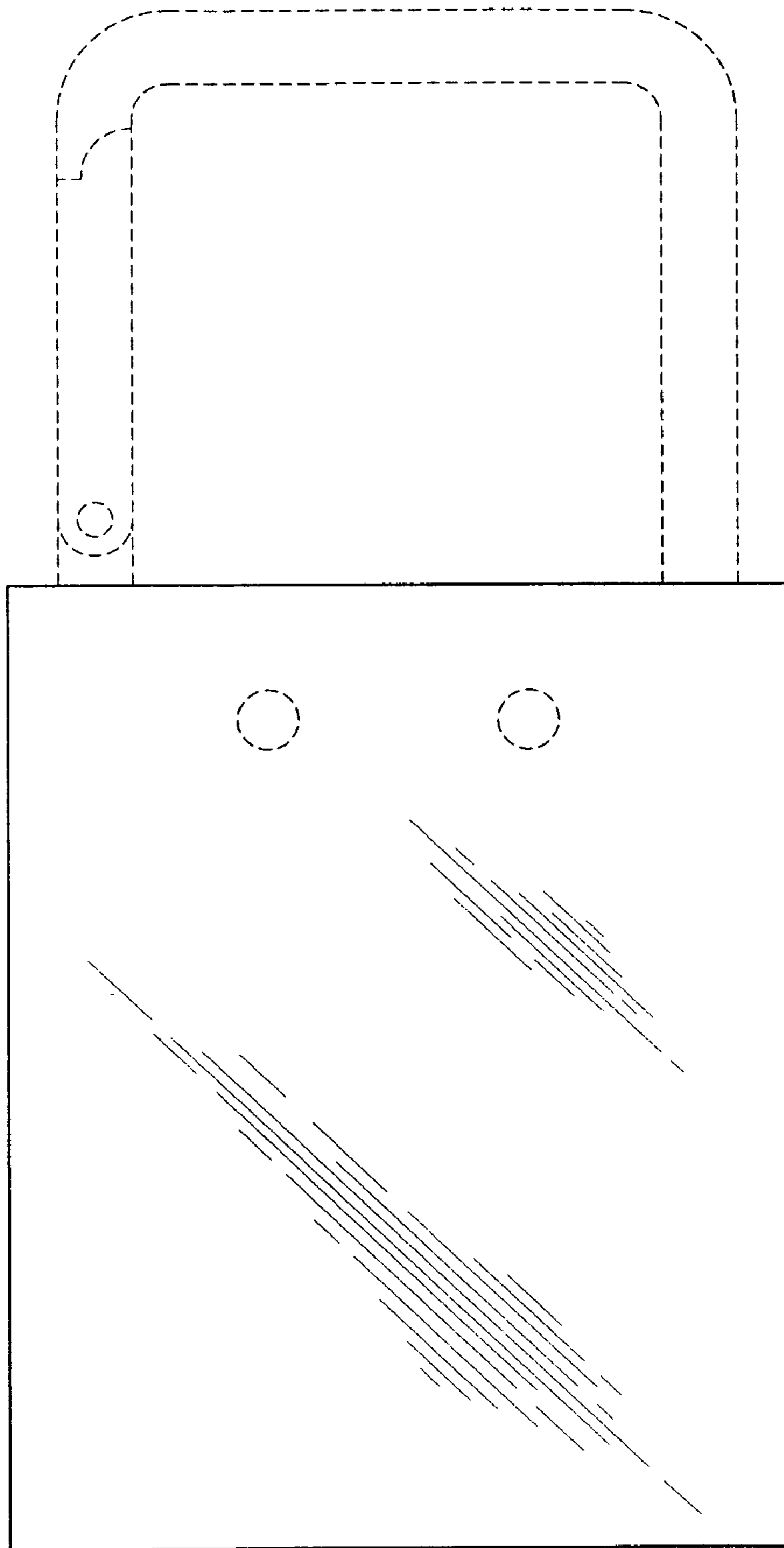


Fig. 23

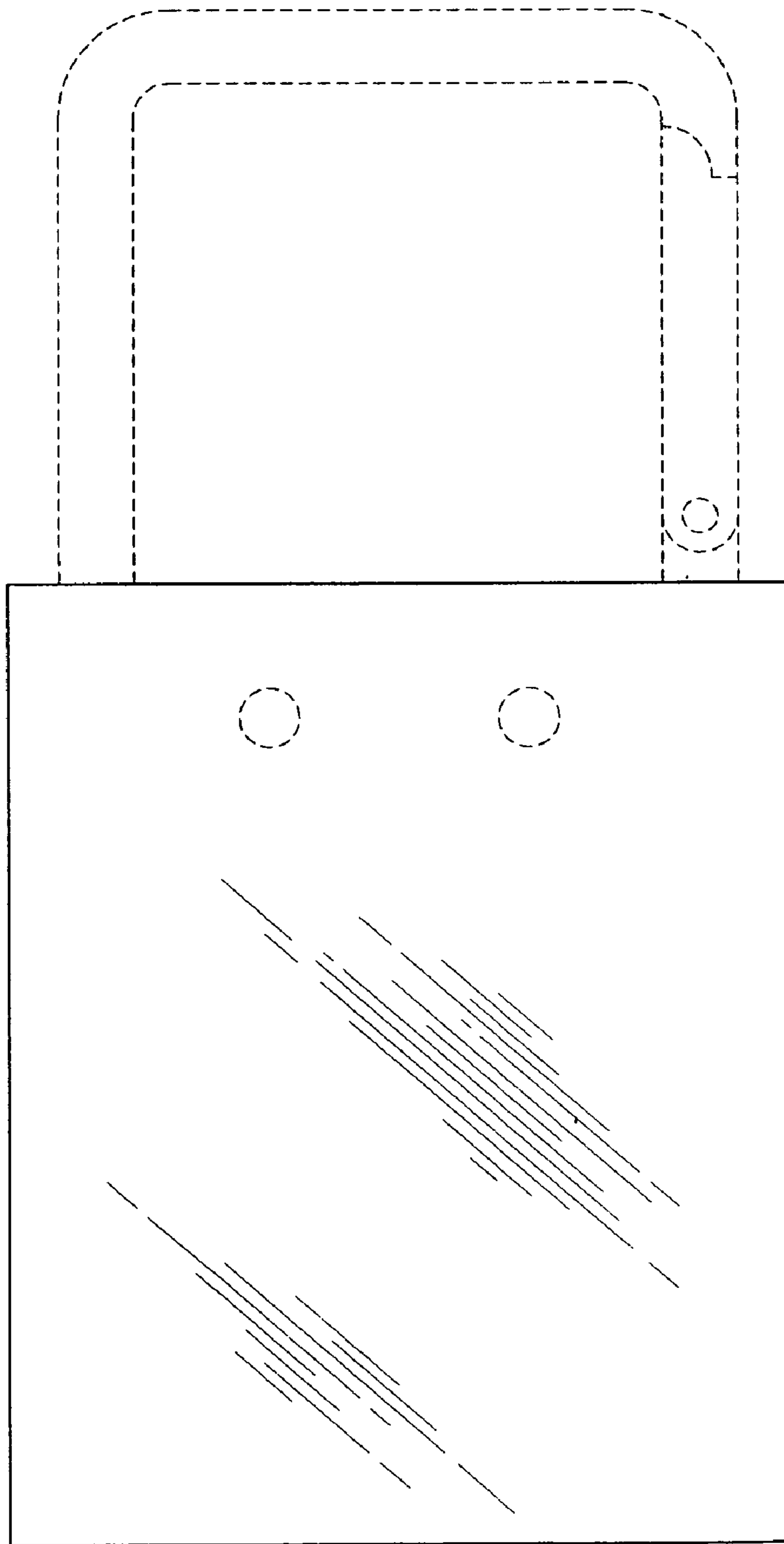


Fig. 24

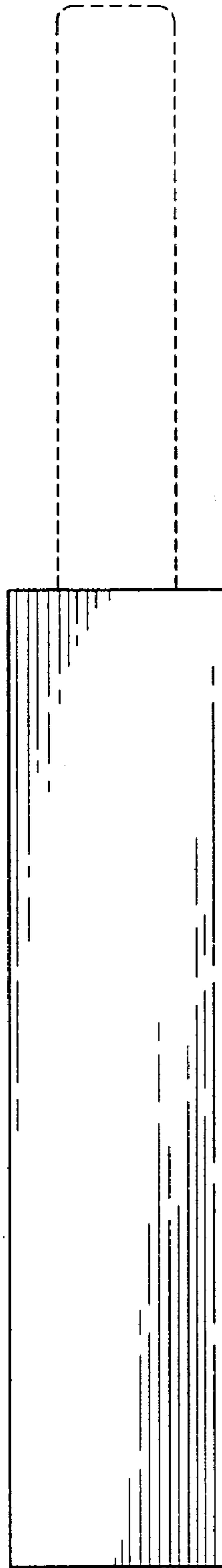


Fig. 25

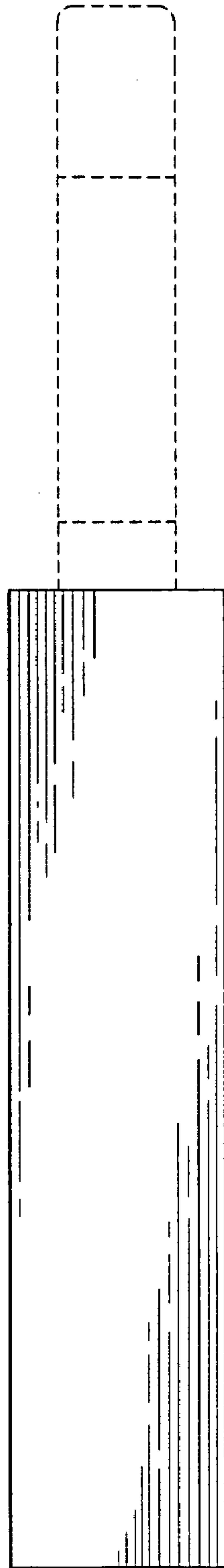


Fig. 26

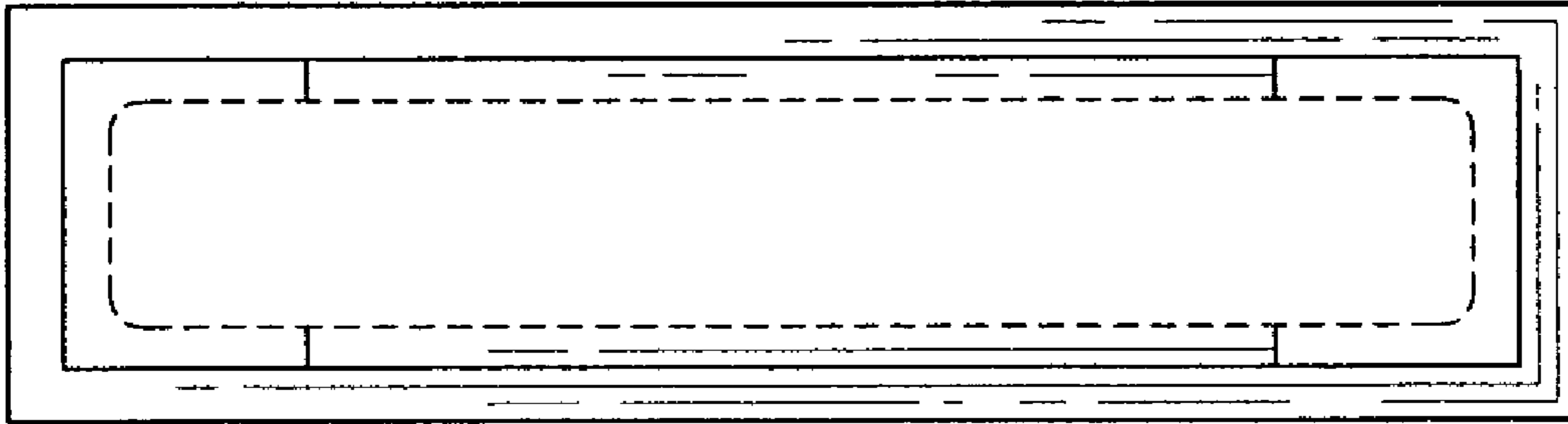


Fig. 27

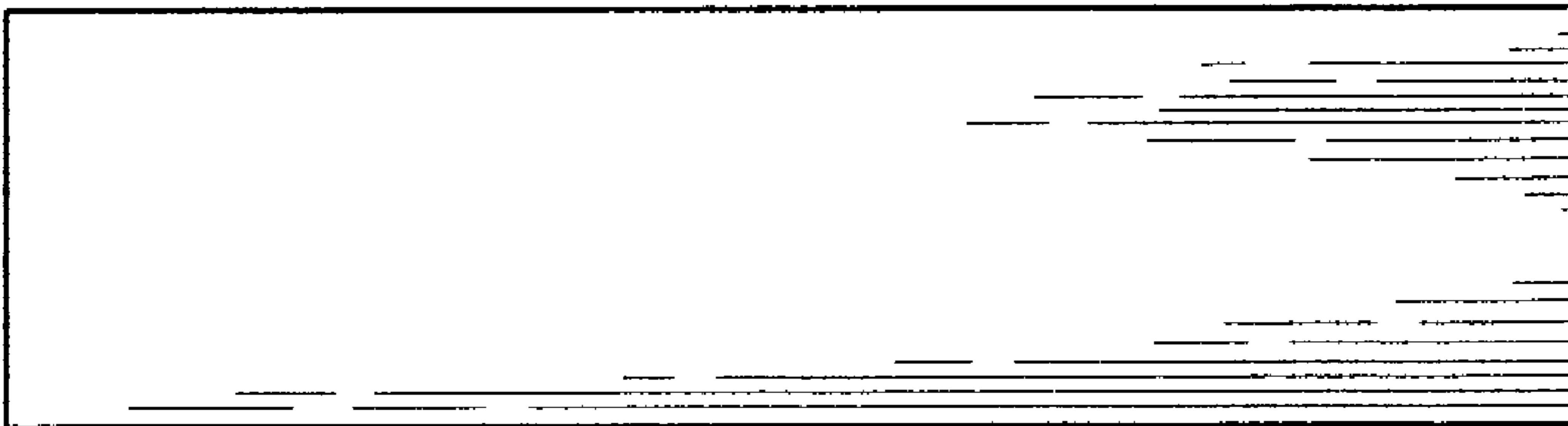


Fig. 28

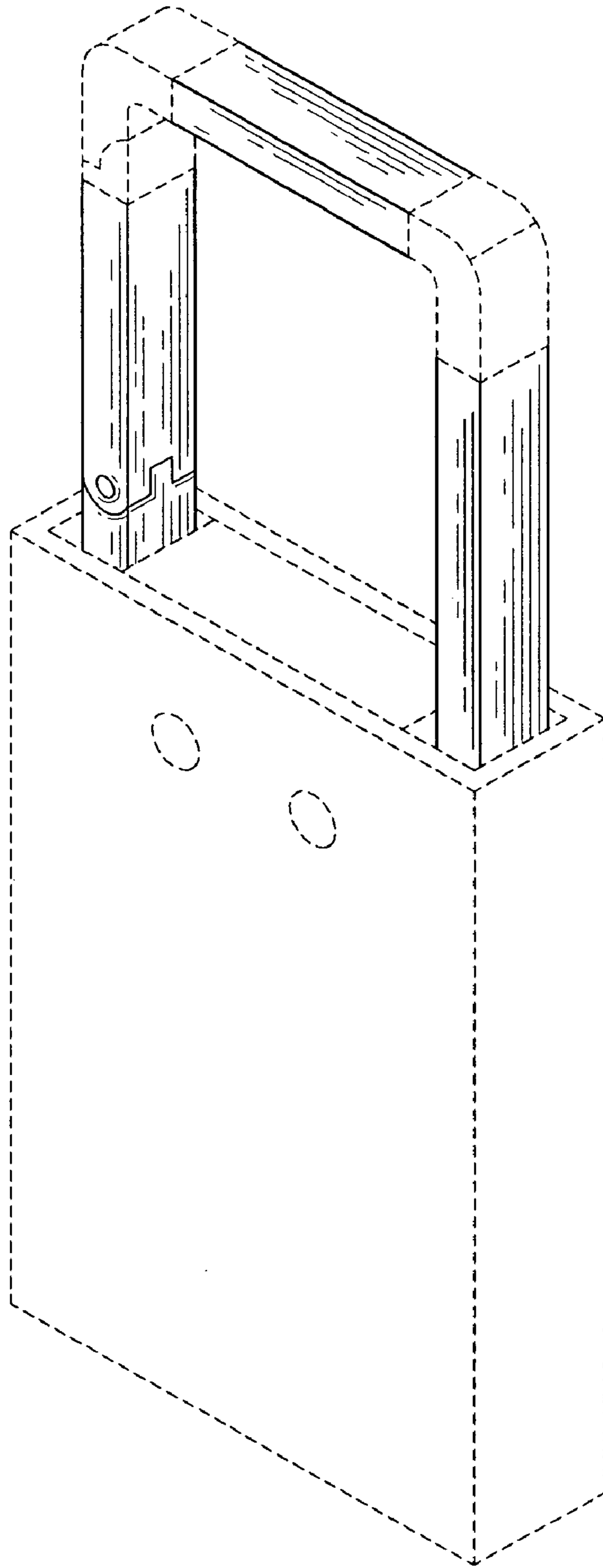


Fig. 29

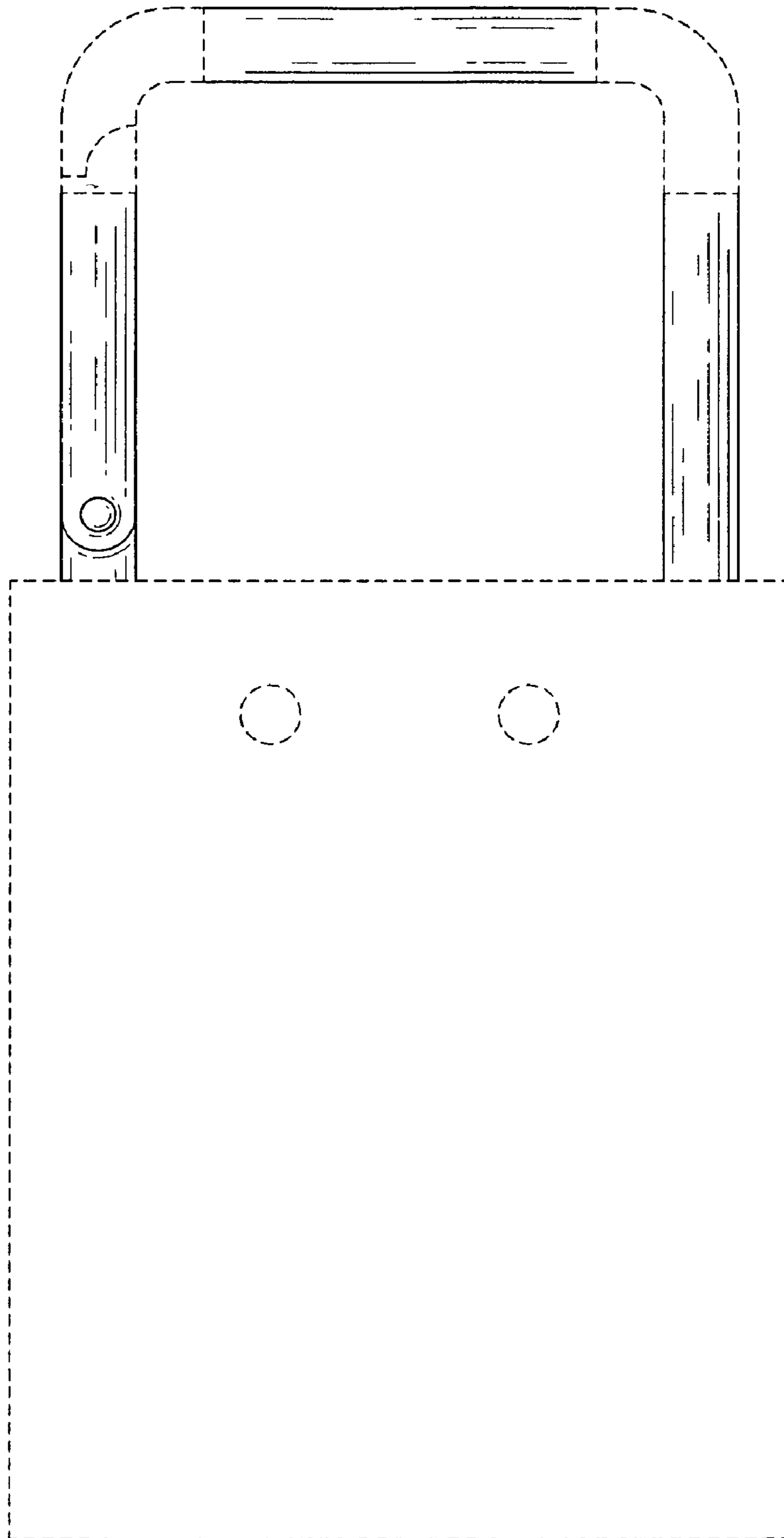


Fig. 30

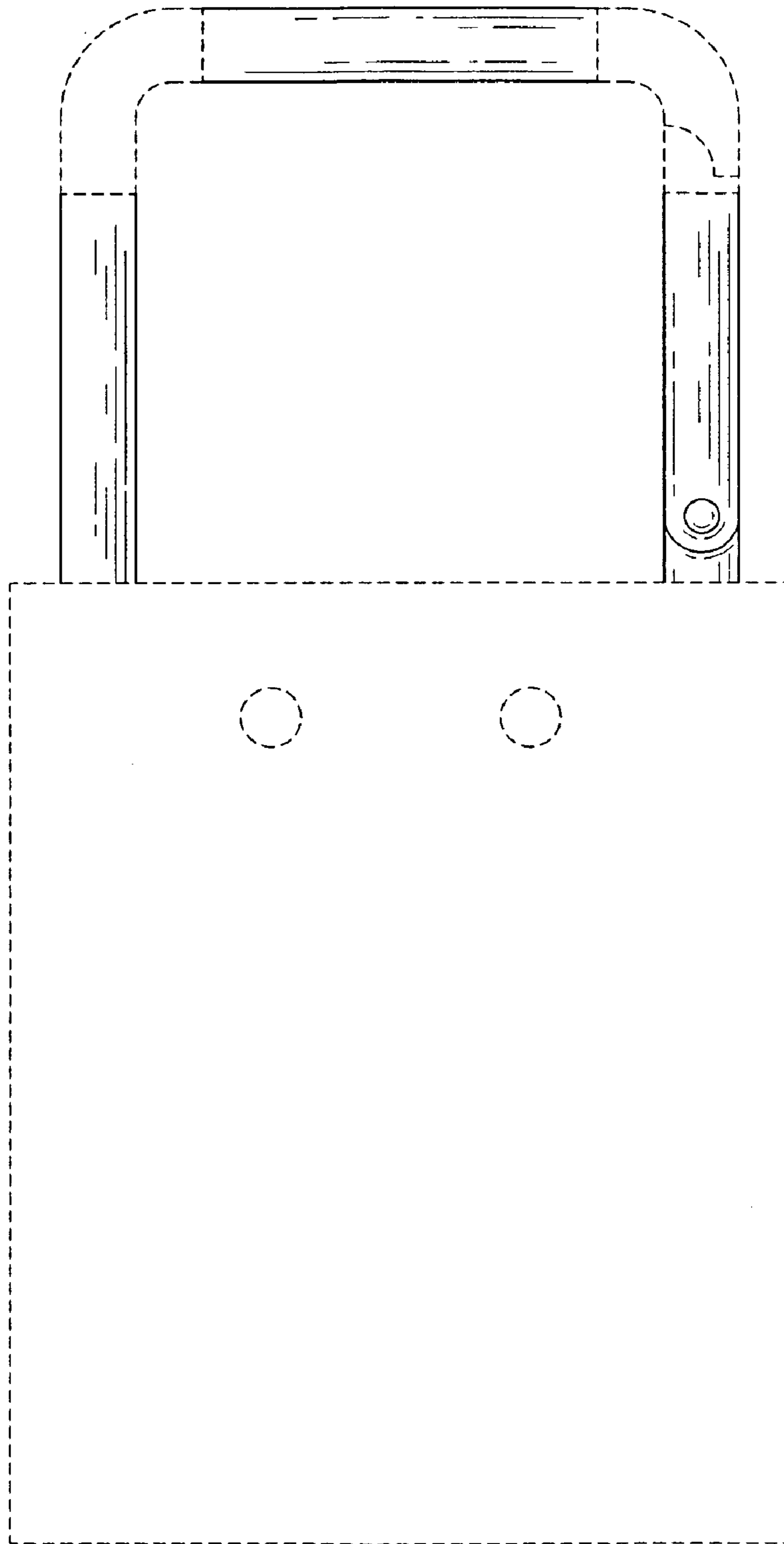


Fig. 31

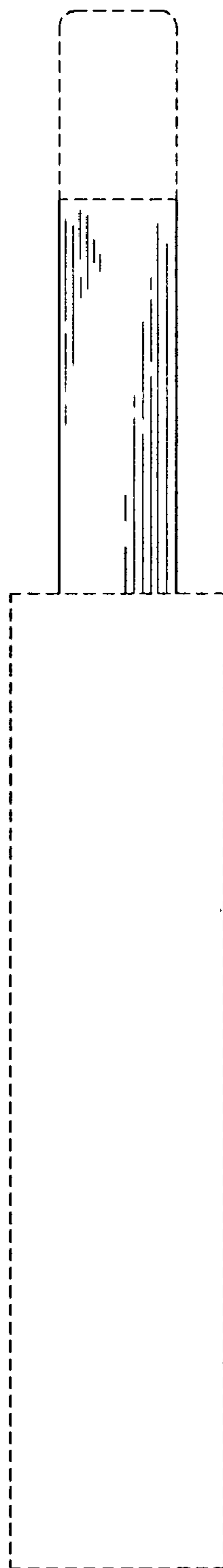


Fig. 32

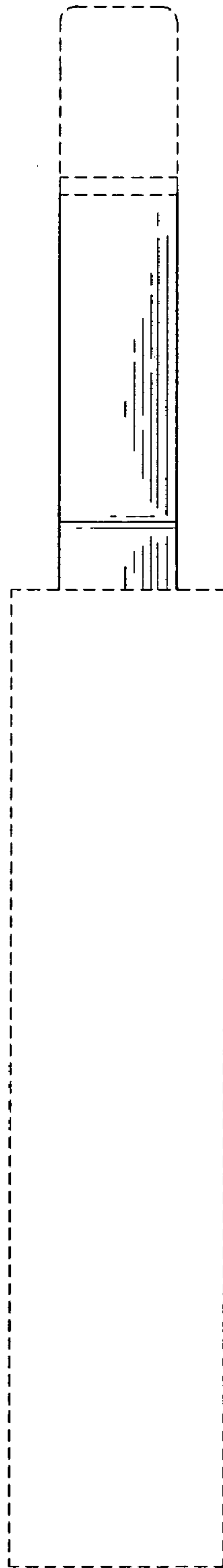


Fig. 33

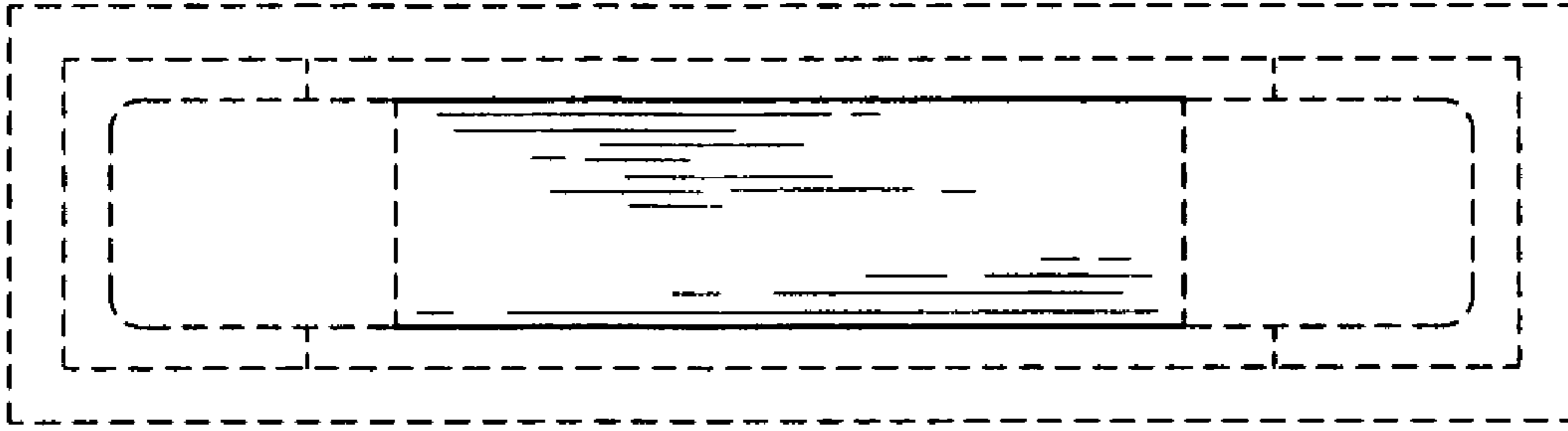


Fig. 34



Fig. 35

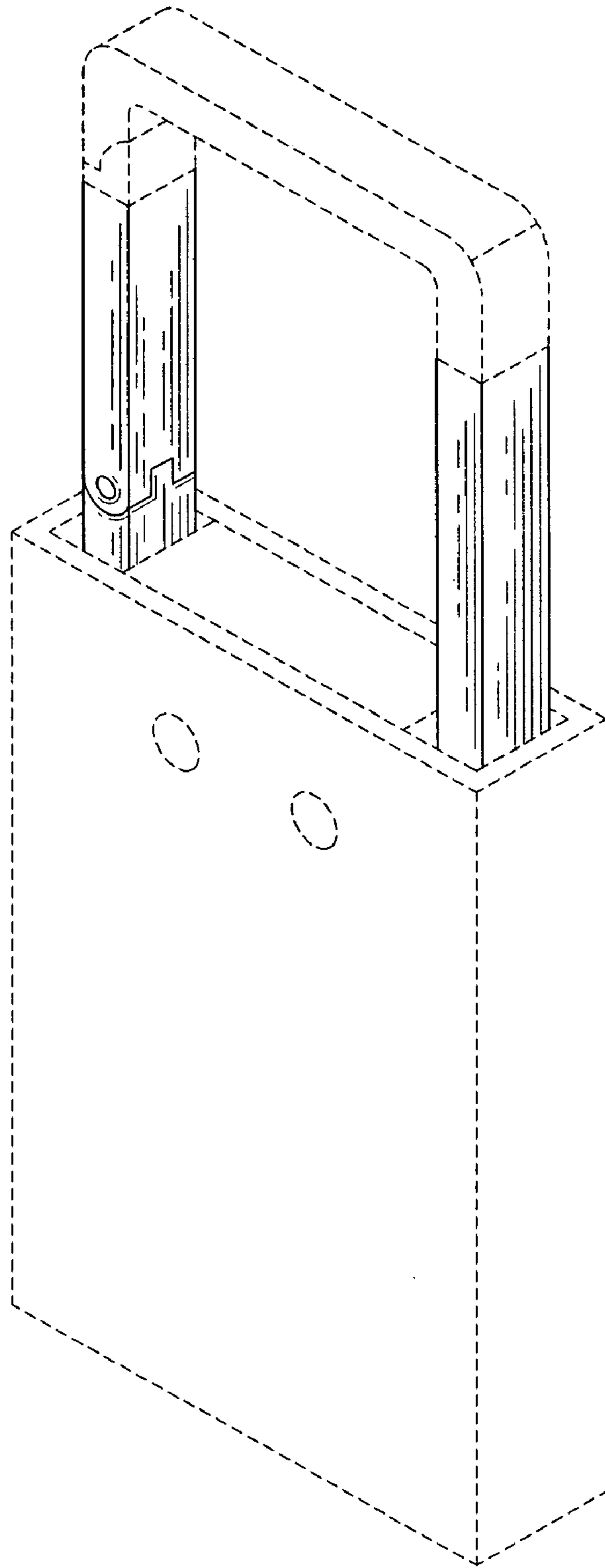


Fig. 36

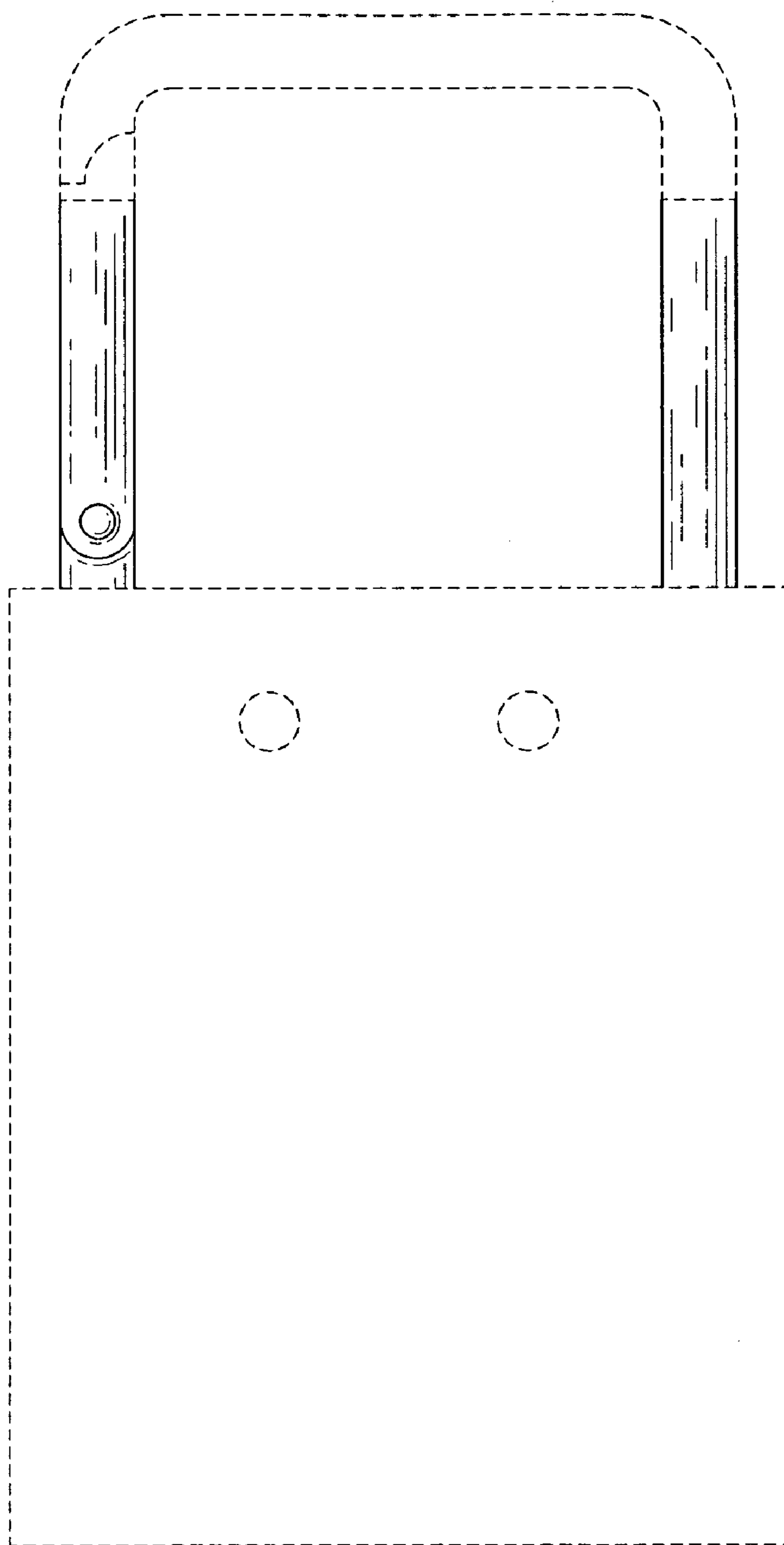


Fig. 37

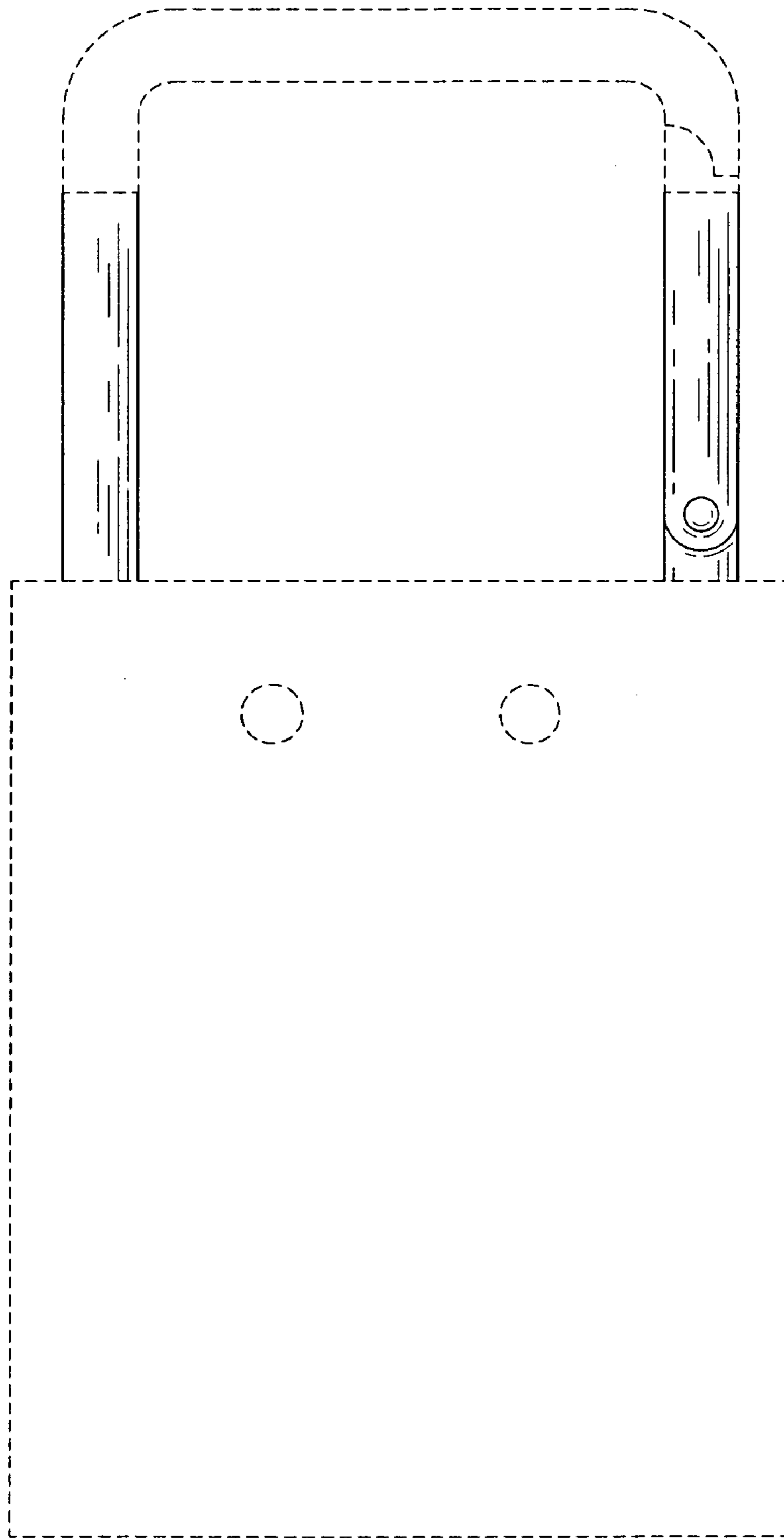


Fig. 38

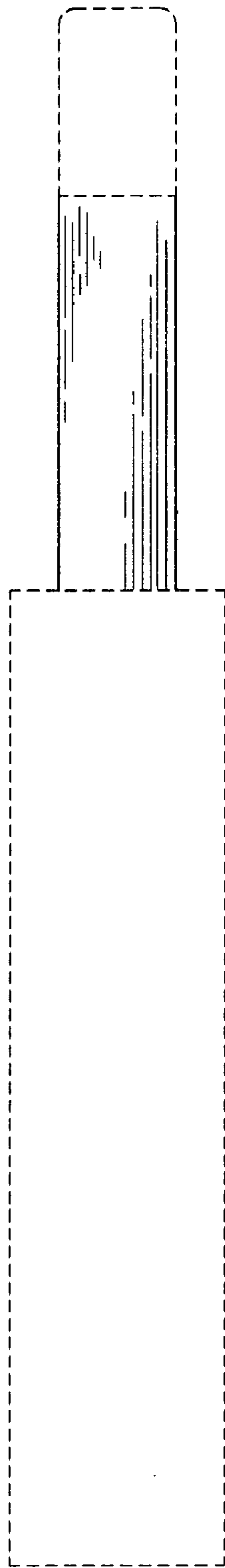


Fig. 39

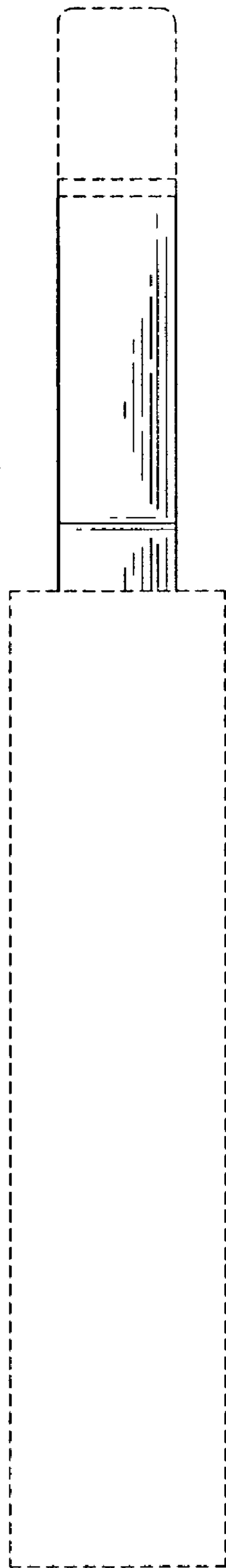


Fig. 40

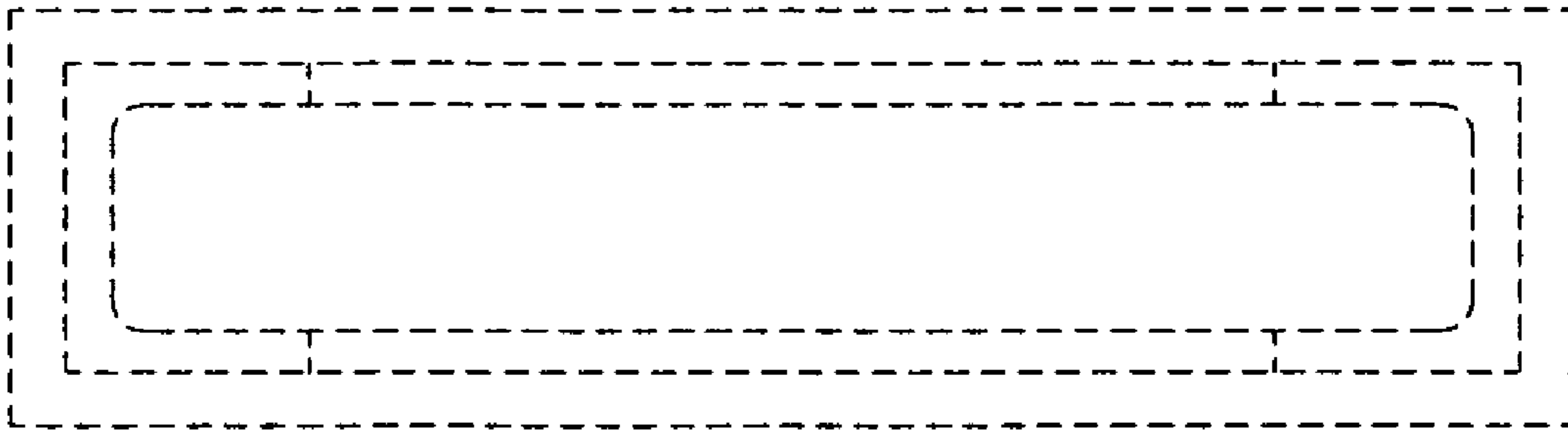


Fig. 41



Fig. 42