



US00D553947S

(12) **United States Design Patent**
Flory

(10) **Patent No.:** **US D553,947 S**

(45) **Date of Patent:** **** Oct. 30, 2007**

(54) **INTEGRATED TILT/SASH LOCK ASSEMBLY**

(75) Inventor: **Edward C. Flory**, Crown Point, IN
(US)

(73) Assignee: **Newell Operating Company**, Atlanta,
GA (US)

(**) Term: **14 Years**

(21) Appl. No.: **29/263,640**

(22) Filed: **Jul. 26, 2006**

(51) **LOC (8) Cl.** **08-07**

(52) **U.S. Cl.** **D8/331**

(58) **Field of Classification Search** D8/330-348;
70/141, 81; 292/336.3, 347, 358, 359, DIG. 20,
292/DIG. 47, 217, 224, 202, 204, 32, 175,
292/228, 241, 242; 49/181, 185

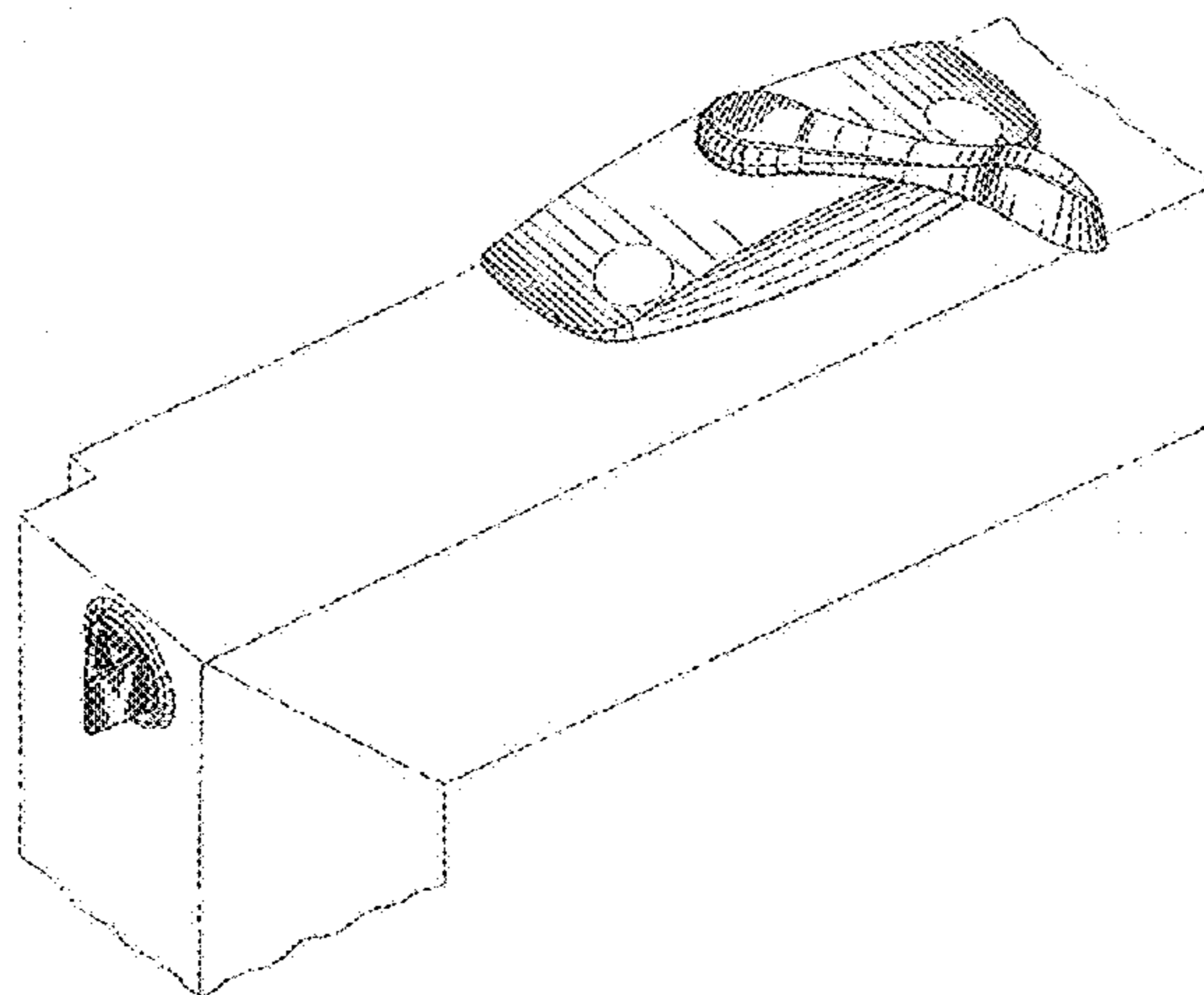
See application file for complete search history.

(56) **References Cited**

U.S. PATENT DOCUMENTS

166,842 A	8/1875	Berryman
176,360 A	6/1876	Cooper
178,360 A	6/1876	Cooper
201,146 A	3/1878	Adler
336,302 A	2/1886	Dudgeon
346,788 A	8/1886	Teufel
376,252 A	1/1888	McIntyre
410,728 A	9/1889	Brown
480,148 A	8/1892	Theby
509,941 A	12/1893	Perry
512,593 A	1/1894	Webster et al.
526,118 A	9/1894	Sharp
551,242 A	12/1895	Wallace
590,225 A	9/1897	Hill
722,162 A	3/1903	St. Louis
759,642 A	5/1904	Sparks
878,206 A	2/1908	Johnson
948,628 A	2/1910	Jefferis
966,063 A	8/1910	Toothaker
980,131 A	12/1910	Shean
998,642 A	7/1911	Shean

1,006,211 A	10/1911	Hermon
1,041,803 A	10/1912	Kilburn
1,051,918 A	2/1913	Rowley
1,059,999 A	4/1913	James et al.
1,141,437 A	6/1915	Unterlender
1,243,115 A	10/1917	Shur
1,253,810 A	1/1918	Gianninoto
1,270,740 A	6/1918	Keyes
1,393,628 A	10/1921	Leichter
1,550,532 A	8/1925	French
1,552,690 A	9/1925	Frantz
1,704,946 A	3/1929	Lindgren
1,712,792 A	5/1929	Hansen
1,715,957 A	6/1929	Stein
1,794,171 A	2/1931	Grutel
1,864,253 A	6/1932	McIntyre
1,869,274 A	7/1932	Phillips
1,901,974 A	3/1933	Macy
1,922,062 A	8/1933	Sullivan
1,964,114 A	6/1934	Gerlach et al.
2,095,057 A	10/1937	Corrado
2,122,661 A	7/1938	Rightmyer
2,126,995 A	8/1938	Kingdon
2,272,145 A	2/1942	Anderson et al.
2,369,584 A	2/1945	Lundholm
2,452,521 A	10/1948	Johnson et al.
2,500,849 A	3/1950	Menns
2,537,736 A	1/1951	Carlson
2,766,492 A	10/1956	Day et al.
2,818,919 A	1/1958	Sylvan
3,027,188 A	3/1962	Eichstadt
3,187,526 A	6/1965	Moler
3,362,740 A	1/1968	Burns
3,438,153 A	4/1969	Lemme
3,599,452 A	8/1971	Yokohama et al.
3,683,652 A	8/1972	Halopoff et al.
3,811,718 A	5/1974	Bates
3,919,808 A	11/1975	Simmons
4,068,871 A	1/1978	Mercer
4,151,682 A	5/1979	Schmidt
4,165,894 A	8/1979	Wojciechowski
4,227,345 A	10/1980	Durham, Jr.
4,253,688 A	3/1981	Hosooka
4,303,264 A	12/1981	Uehara
4,305,612 A	12/1981	Hunt et al.
4,392,329 A	7/1983	Suzuki
4,470,277 A	9/1984	Uyeda
4,475,311 A	10/1984	Gibson
4,525,952 A	7/1985	Cunningham et al.



4,580,366 A 4/1986 Hardy
 4,587,759 A 5/1986 Gray
 4,624,073 A 11/1986 Randall
 4,639,021 A 1/1987 Hope
 4,643,005 A 2/1987 Logas
 D293,548 S * 1/1988 Bates et al. D8/337
 D295,948 S * 5/1988 Mandell D8/337
 4,827,685 A 5/1989 Schmidt
 4,893,849 A 1/1990 Schlack
 4,922,658 A 5/1990 Coddens
 4,949,506 A 8/1990 Durham, Jr.
 4,961,286 A 10/1990 Bezubic
 5,072,464 A 12/1991 Draheim et al.
 5,076,015 A 12/1991 Manzalini
 5,087,087 A 2/1992 Vetter et al.
 5,087,088 A 2/1992 Milam
 5,090,750 A 2/1992 Lindqvist
 5,127,685 A 7/1992 Dallaire et al.
 5,139,291 A 8/1992 Schultz
 5,143,412 A 9/1992 Lindqvist
 5,165,737 A 11/1992 Riegelman
 5,183,310 A 2/1993 Shaughnessy
 5,244,238 A 9/1993 Lindqvist
 5,274,955 A 1/1994 Dallaire et al.
 5,341,752 A 8/1994 Hambleton
 5,398,447 A 3/1995 Morse
 5,437,484 A 8/1995 Yamada
 5,454,609 A 10/1995 Slocomb et al.
 5,560,149 A 10/1996 Lafevre
 5,636,475 A 6/1997 Nidelkoff
 D380,957 S * 7/1997 Evans et al. D8/337
 D382,191 S * 8/1997 Plummer D8/337
 D382,192 S * 8/1997 Plummer D8/337
 5,688,000 A 11/1997 Dolman
 5,715,631 A 2/1998 Kailian et al.
 5,791,700 A 8/1998 Biro
 5,829,196 A 11/1998 Maier
 5,873,199 A 2/1999 Meunier et al.
 D408,263 S * 4/1999 Briggs D8/337
 5,901,499 A 5/1999 Delaske et al.
 5,911,763 A 6/1999 Quesada
 5,970,656 A 10/1999 Maier
 5,992,907 A 11/1999 Sheldon et al.
 D418,737 S * 1/2000 Libby et al. D8/337
 6,086,121 A 7/2000 Buckland
 6,135,510 A 10/2000 Diginosa
 6,139,071 A 10/2000 Hopper
 6,142,541 A 11/2000 Rotondi
 6,155,615 A 12/2000 Schultz
 6,161,335 A 12/2000 Beard et al.
 6,176,041 B1 1/2001 Roberts
 6,178,696 B1 1/2001 Liang
 6,183,024 B1 2/2001 Schultz et al.
 6,209,931 B1 4/2001 Stoutenborough et al.
 6,217,087 B1 4/2001 Fuller
 6,230,443 B1 5/2001 Schultz
 6,257,303 B1 7/2001 Coubray et al.
 6,279,266 B1 8/2001 Searcy
 6,422,287 B1 7/2002 Wilke
 6,546,671 B2 4/2003 Mitchell et al.
 6,565,133 B1 5/2003 Timothy
 6,588,150 B1 7/2003 Wong et al.
 6,592,155 B1 7/2003 Lemley et al.
 6,607,221 B1 8/2003 Elliott
 6,634,683 B1 * 10/2003 Brannan 292/241
 6,817,142 B2 11/2004 Marshik
 6,871,885 B2 3/2005 Goldenberg et al.
 6,871,886 B2 * 3/2005 Coleman et al. 292/241
 6,968,646 B2 * 11/2005 Goldenberg et al. 49/181
 6,983,963 B2 * 1/2006 Eslick et al. 292/242
 7,000,957 B2 * 2/2006 Lawrence 292/241
 7,017,957 B2 * 3/2006 Murphy et al. 292/241
 D527,613 S * 9/2006 Omangi et al. D8/331

7,147,255 B2 * 12/2006 Goldenberg et al. 292/241
 7,159,908 B2 * 1/2007 Liang 292/242
 D536,950 S * 2/2007 Liang et al. D8/331
 D539,634 S * 4/2007 Tanaka et al. D8/333
 2001/0005995 A1 * 7/2001 Subliskey 70/89
 2005/0156434 A1 * 7/2005 Polowinczak et al. 292/175
 2006/0028028 A1 * 2/2006 Schultz 292/175
 2006/0192391 A1 * 8/2006 Pettit et al. 292/5
 2006/0207181 A1 * 9/2006 Polowinczak et al. 49/185
 2007/0029810 A1 * 2/2007 Nolte et al. 292/32
 2007/0046036 A1 * 3/2007 Kinsey 292/228
 2007/0107310 A1 * 5/2007 Fullick 49/185

FOREIGN PATENT DOCUMENTS

GB	341207	1/1931
GB	2026594	2/1980

OTHER PUBLICATIONS

P. 21, Home Protection Hardware Catalog Pricelist, dated Jul. 1986.

* cited by examiner

Primary Examiner—Mitchell Siegel
 (74) Attorney, Agent, or Firm—Banner & Witcoff, Ltd.

(57) CLAIM

We claim the ornamental design for an integrated tilt/sash lock assembly, as shown and described.

DESCRIPTION

FIG. 1 is a perspective view of the integrated tilt/sash lock assembly of the present invention;

FIG. 2 is a top plan view of the integrated tilt/sash lock assembly shown in FIG. 1;

FIG. 3 is a front elevation view of the integrated tilt/sash lock assembly shown in FIG. 1;

FIG. 4 is a left side elevation view of the integrated tilt/sash lock assembly shown in FIG. 1;

FIG. 5 is a right side elevation view of the integrated tilt/sash lock assembly shown in FIG. 1;

FIG. 6 is a rear elevation view of the integrated tilt/sash lock assembly shown in FIG. 1;

FIG. 7 is a bottom view of the integrated tilt/sash lock assembly shown in FIG. 1;

FIG. 8 is a perspective view of an alternative embodiment of the integrated tilt/sash lock assembly of the present invention;

FIG. 9 is a top plan view of the integrated tilt/sash lock assembly shown in FIG. 8;

FIG. 10 is a front elevation view of the integrated tilt/sash lock assembly shown in FIG. 8;

FIG. 11 is a left side elevation view of the integrated tilt/sash lock assembly shown in FIG. 8;

FIG. 12 is a right side elevation view of the integrated tilt/sash lock assembly shown in FIG. 8;

FIG. 13 is a rear elevation view of the integrated tilt/sash lock assembly shown in FIG. 8;

FIG. 14 is a bottom view of the integrated tilt/sash lock assembly shown in FIG. 8;

FIG. 15 is a perspective view of another alternative embodiment of the integrated tilt/sash lock assembly of the present invention;

FIG. 16 is a top plan view of the integrated tilt/sash lock assembly shown in FIG. 15;

FIG. 17 is a front elevation view of the integrated tilt/sash lock assembly shown in FIG. 15;

FIG. 18 is a left side elevation view of the integrated tilt/sash lock assembly shown in FIG. 15;

FIG. 19 is a right side elevation view of the integrated tilt/sash lock assembly shown in FIG. 15;

FIG. 20 is a rear elevation view of the integrated tilt/sash lock assembly shown in FIG. 15; and,

FIG. 21 is a bottom view of the integrated tilt/sash lock assembly shown in FIG. 15.

Features shown in broken lines in the drawings are not part of the claim.

1 Claim, 6 Drawing Sheets

FIG. 1

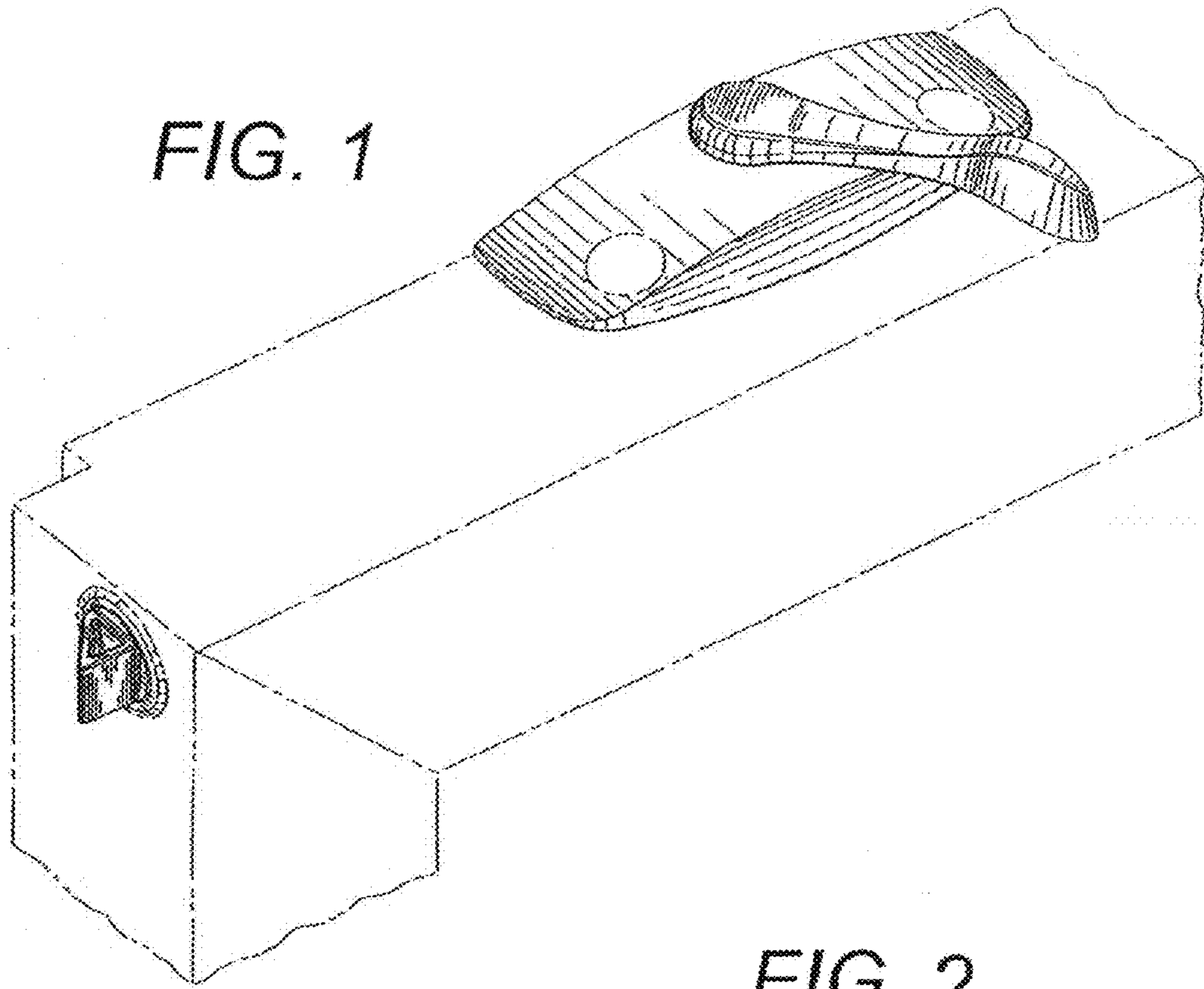


FIG. 2

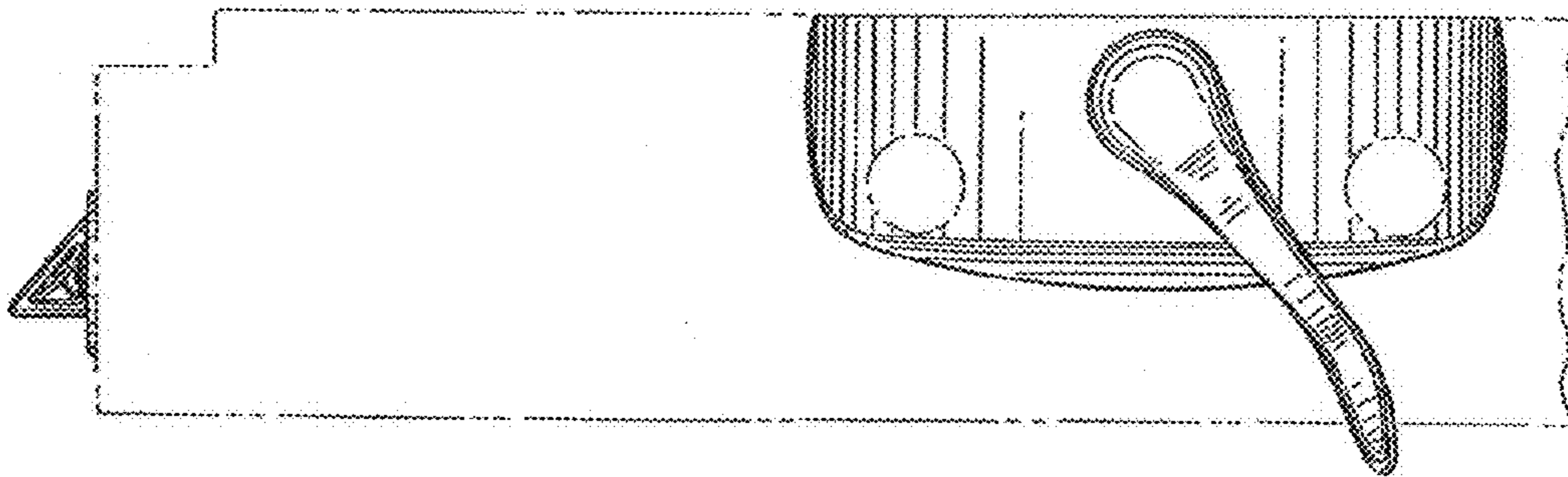


FIG. 3

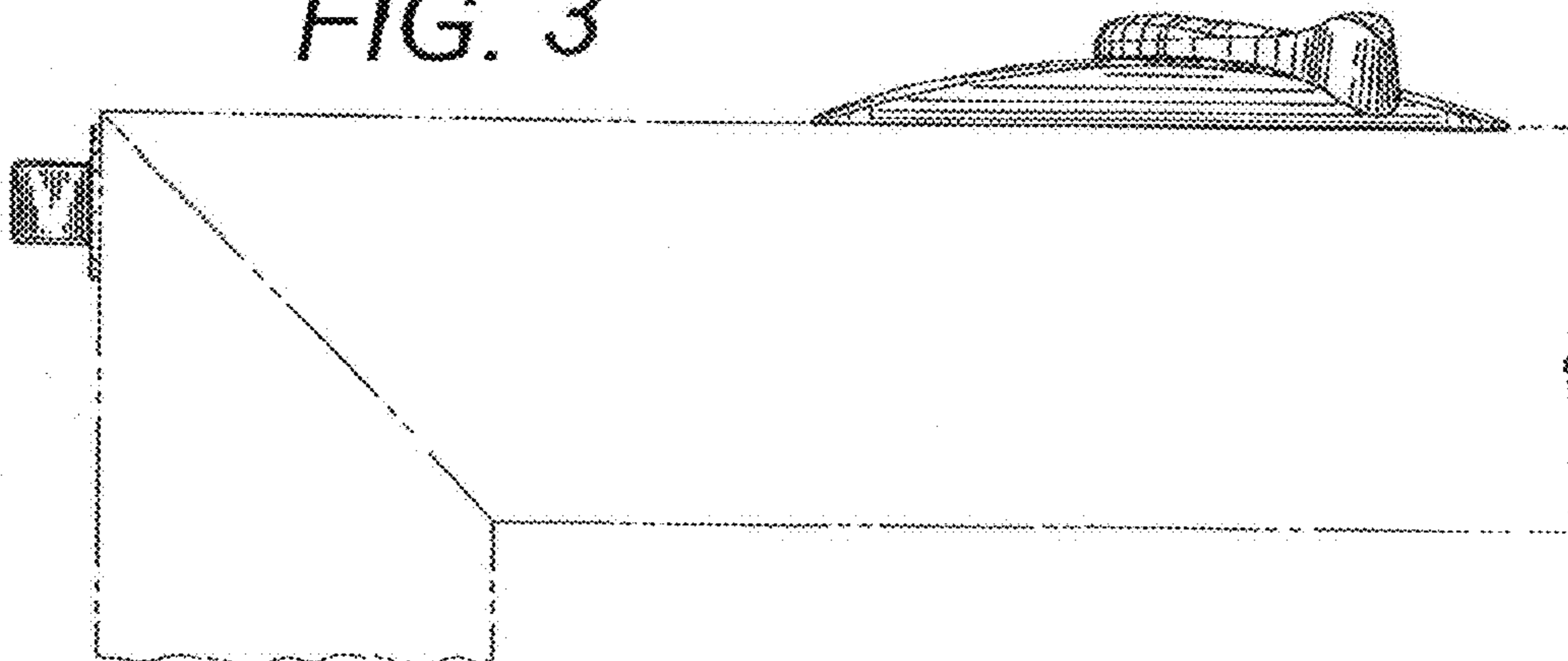


FIG. 4

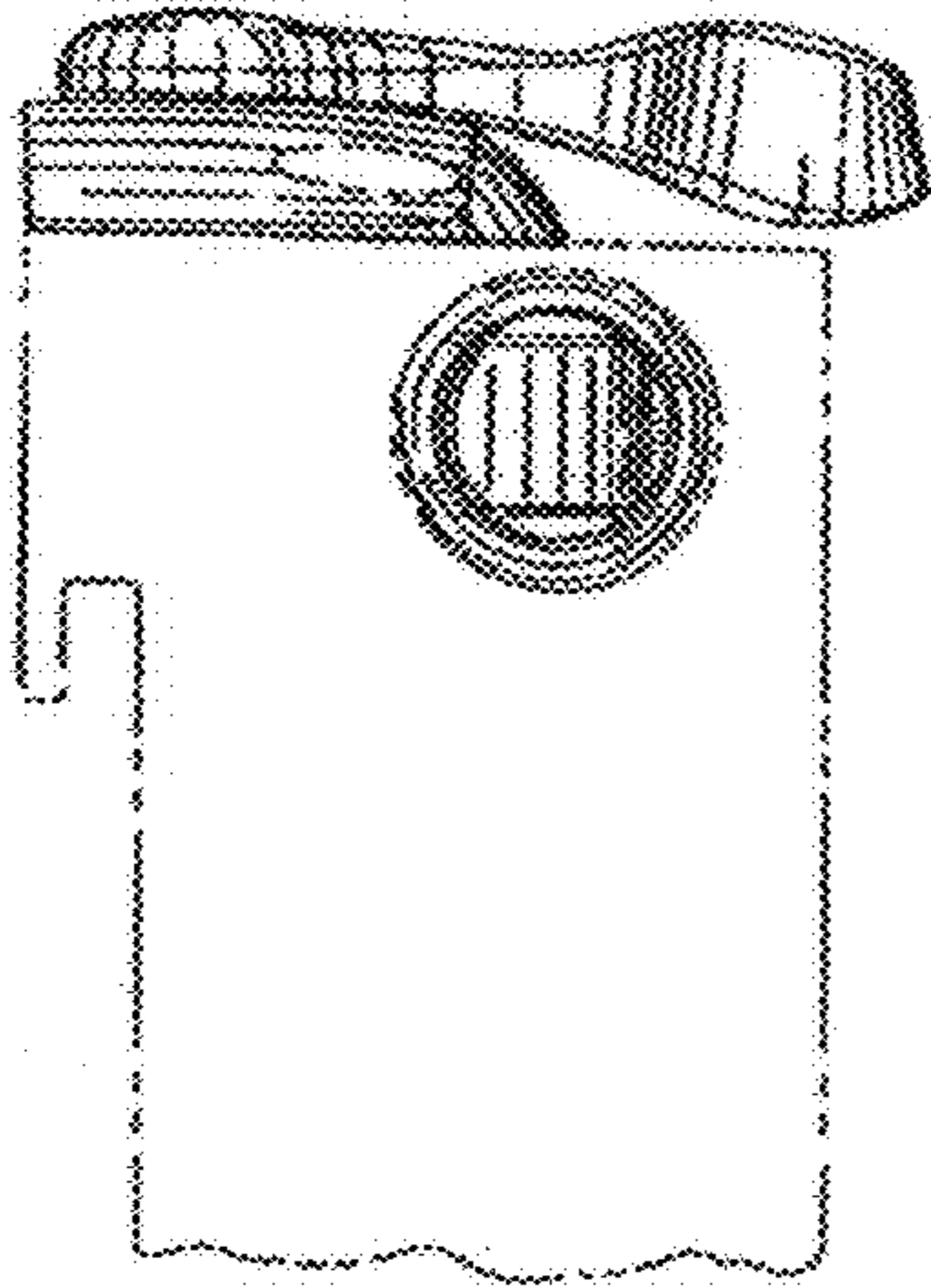


FIG. 5

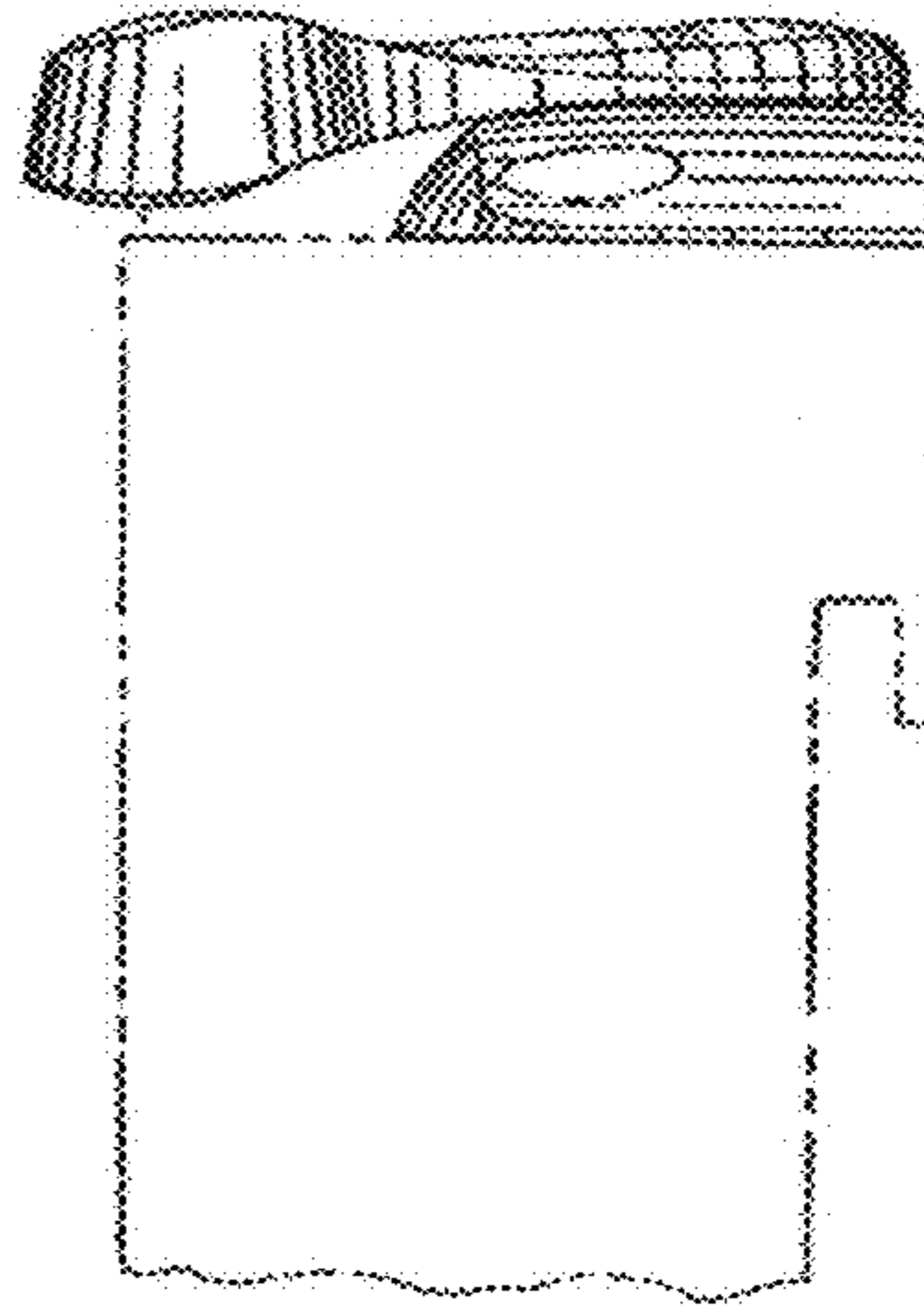


FIG. 6

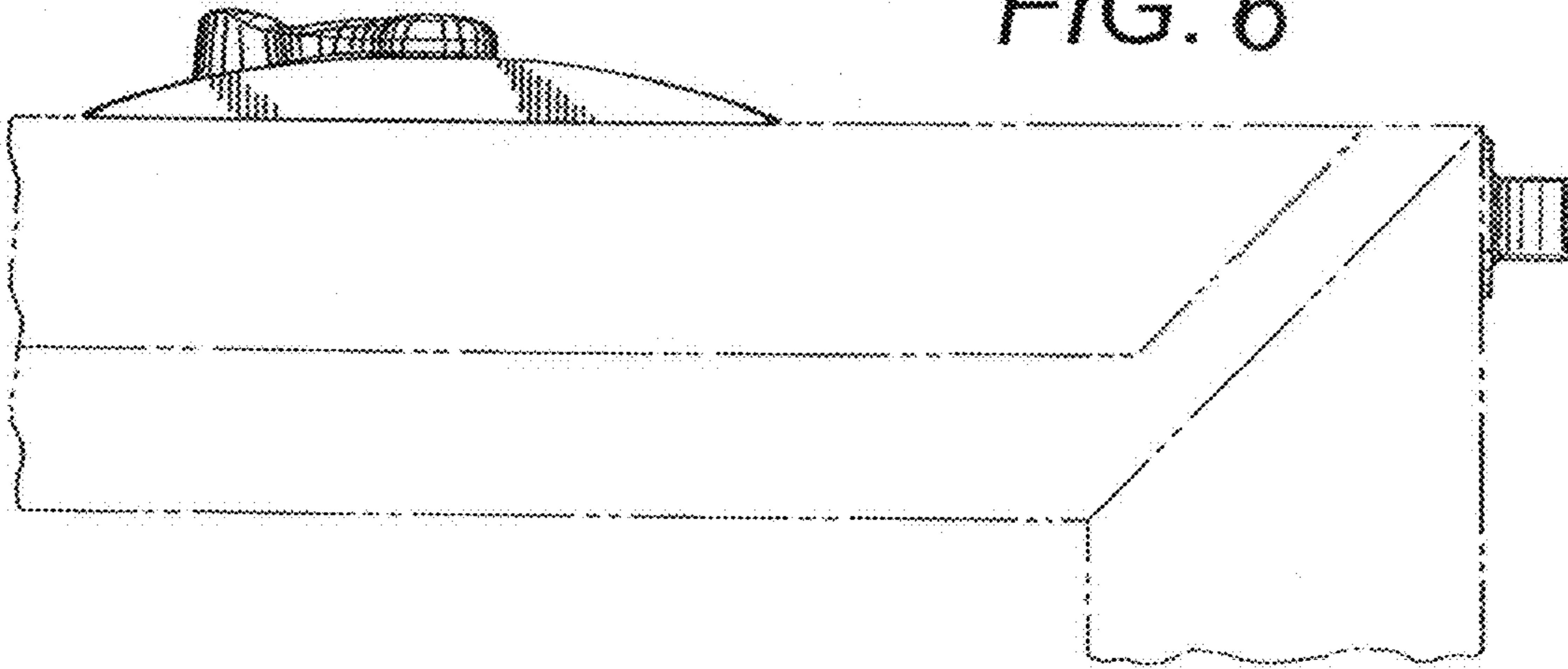


FIG. 7

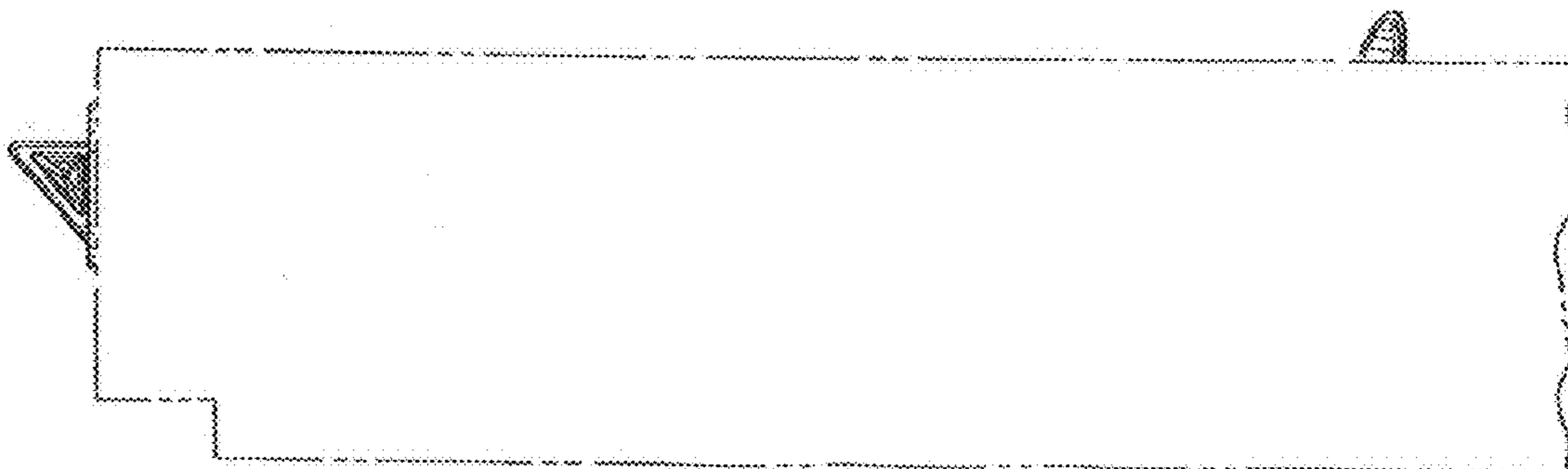


FIG. 8

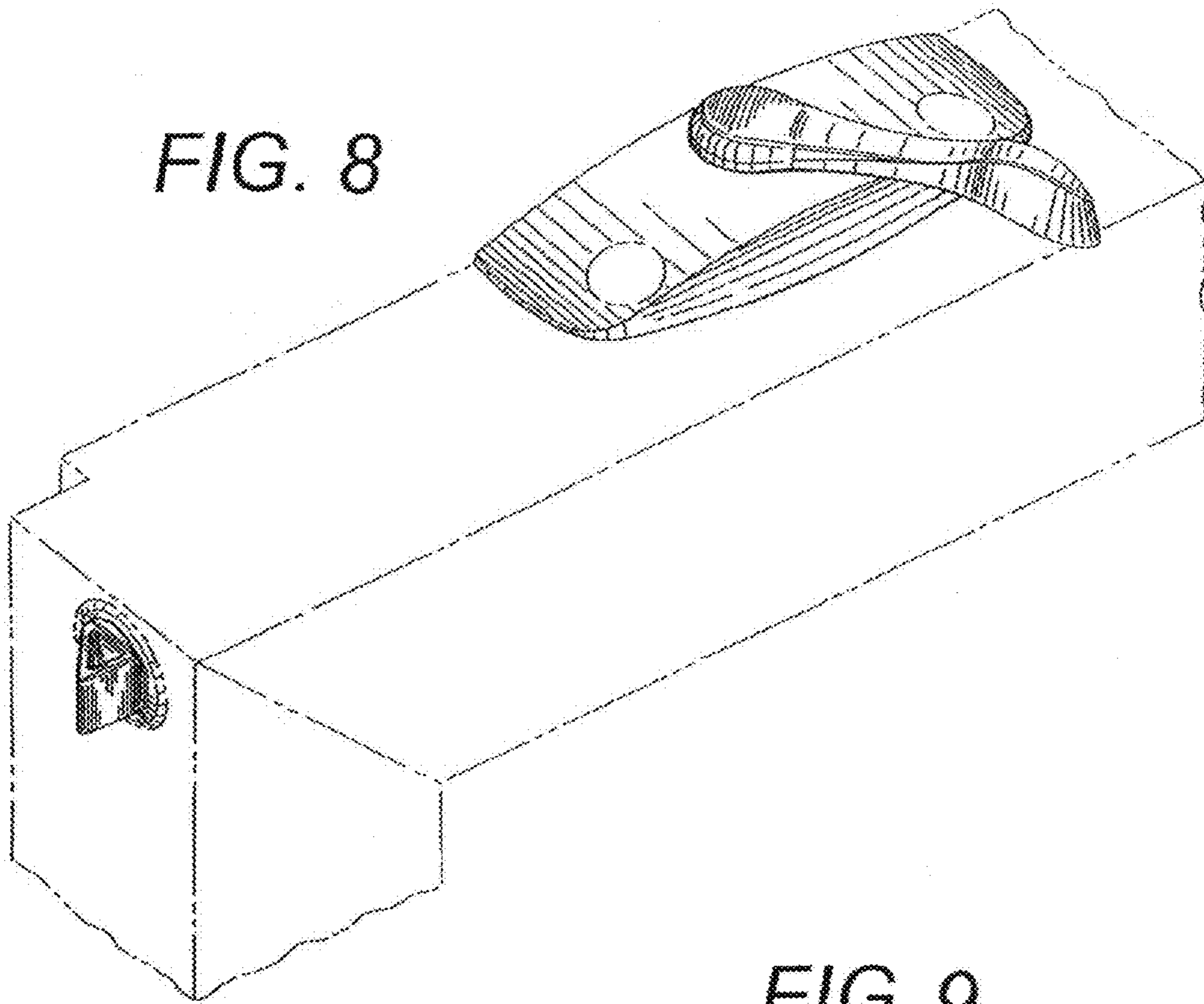


FIG. 9

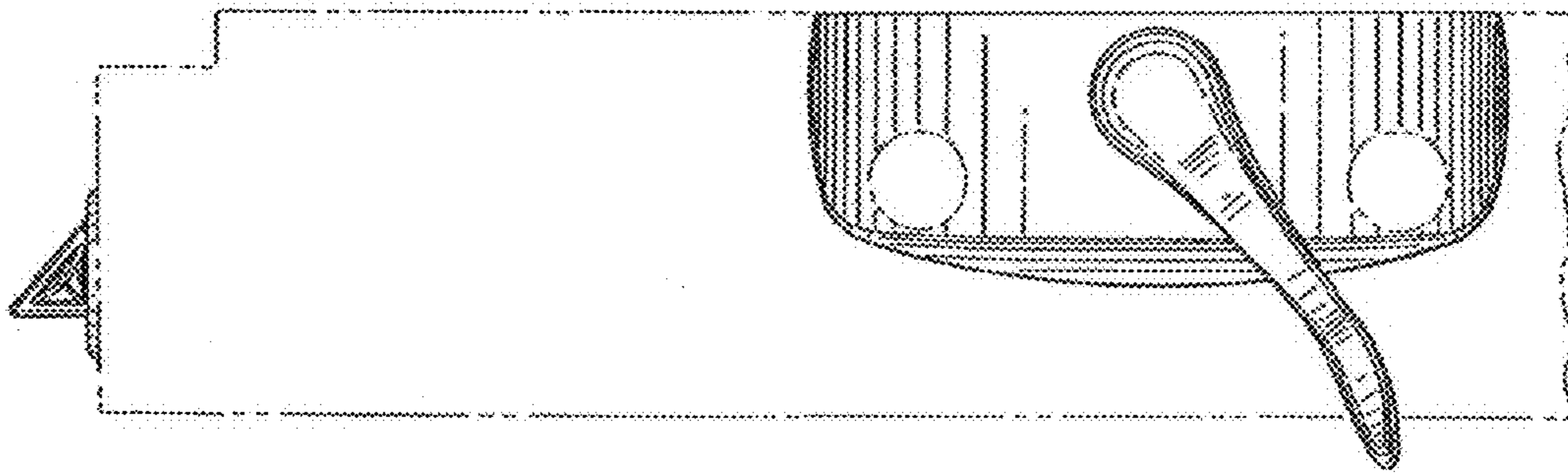


FIG. 10

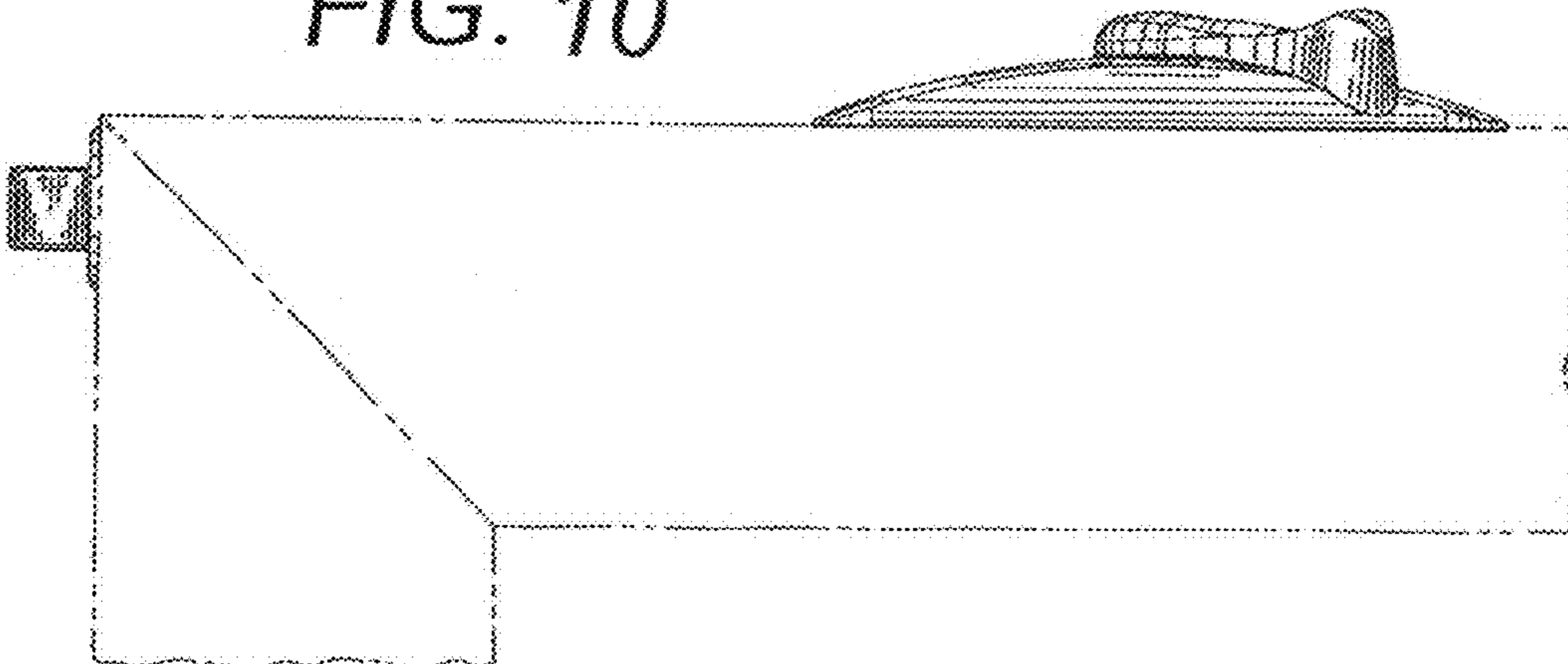


FIG. 11

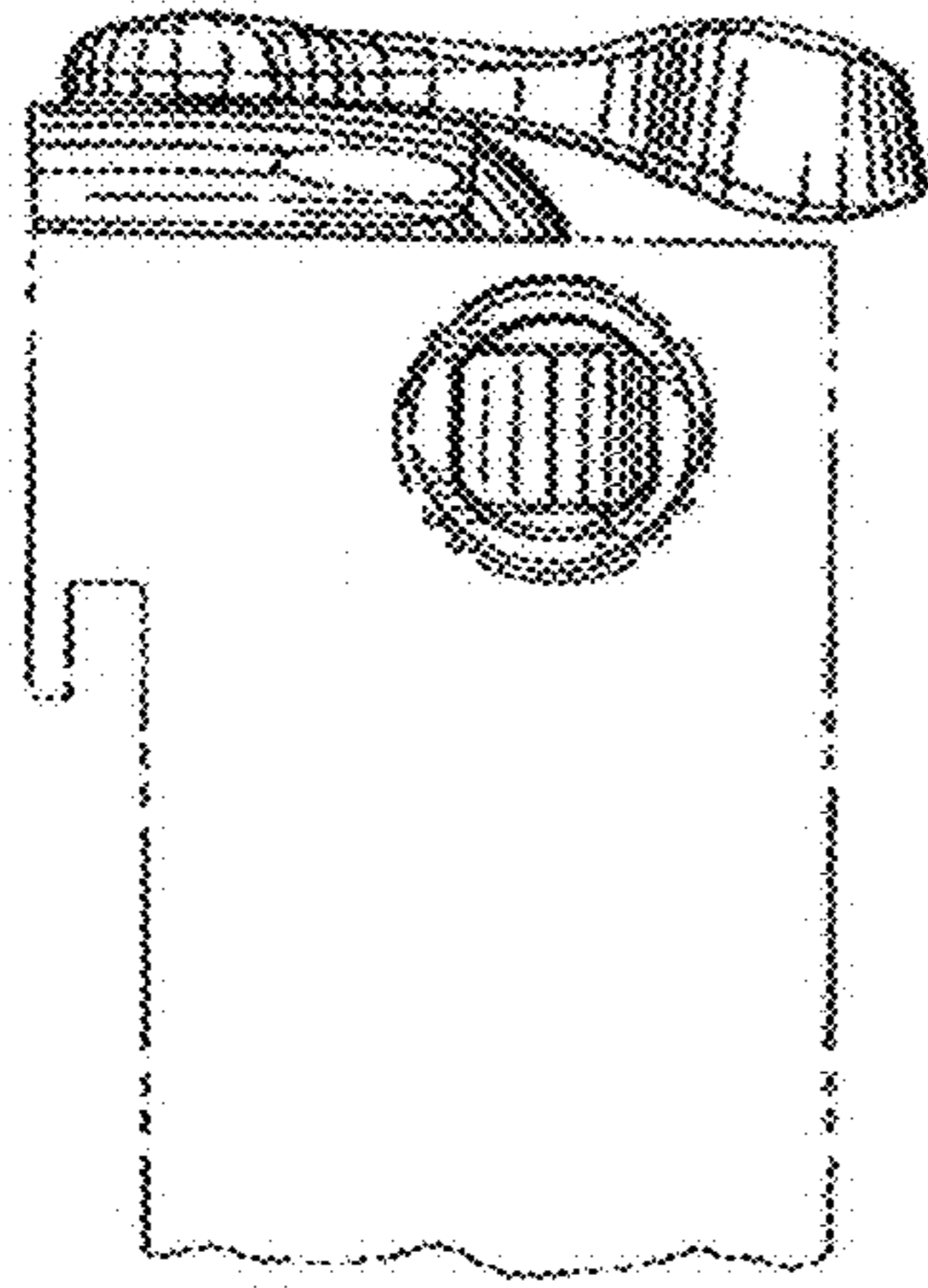


FIG. 12

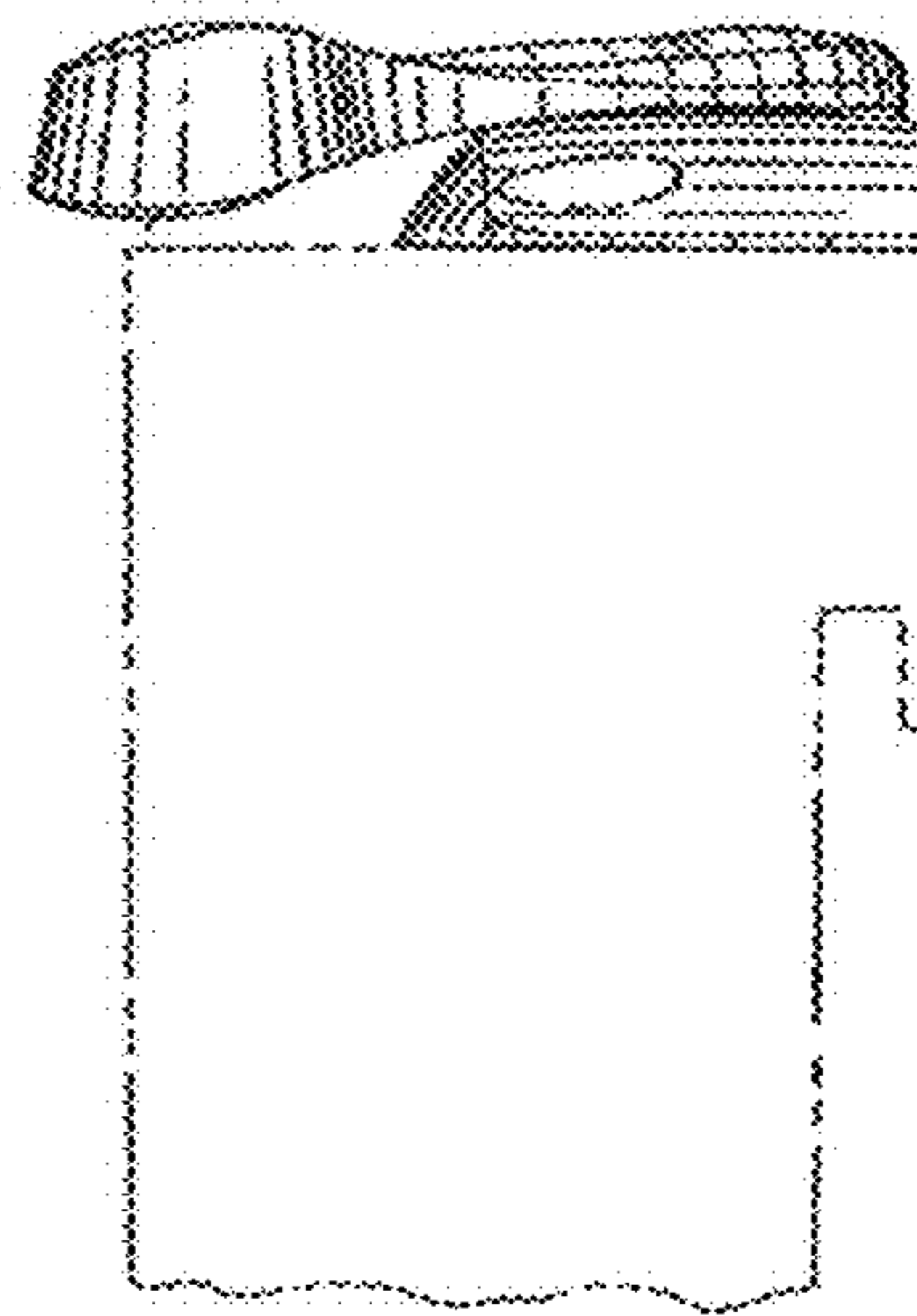


FIG. 13

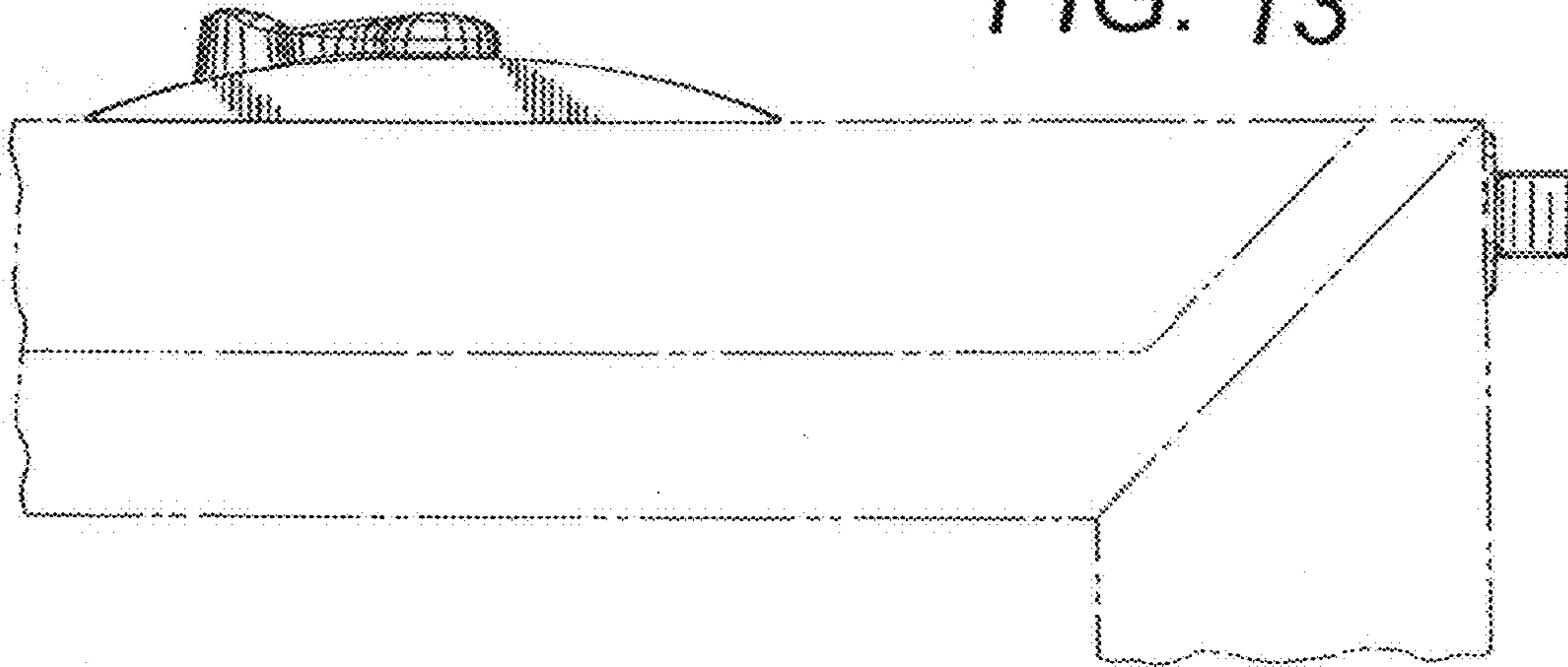


FIG. 14

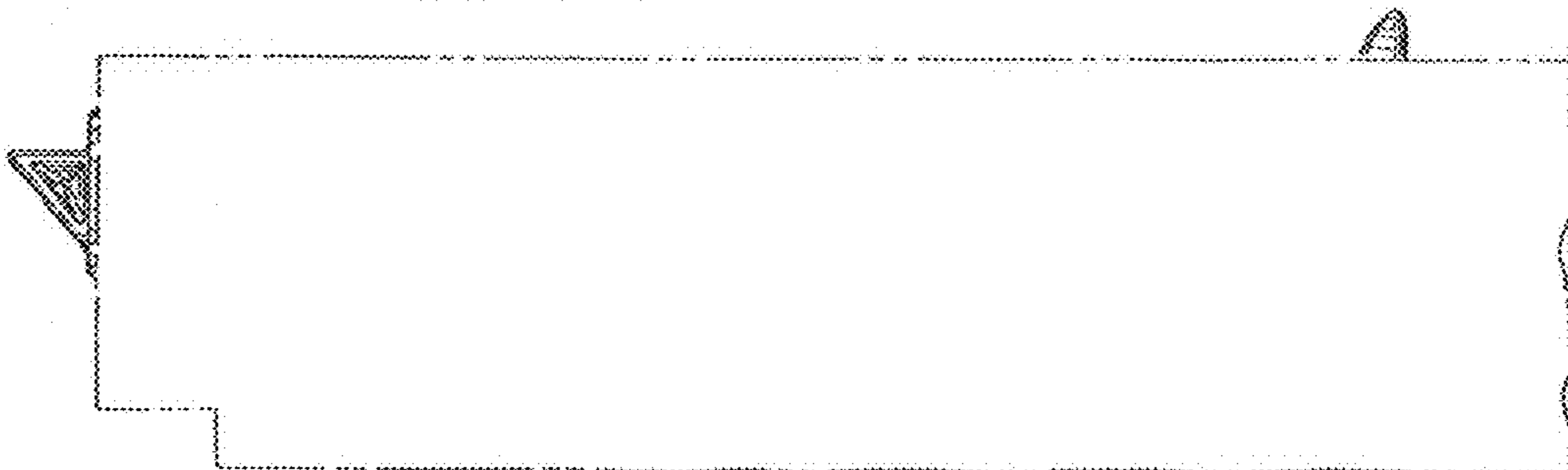


FIG. 15

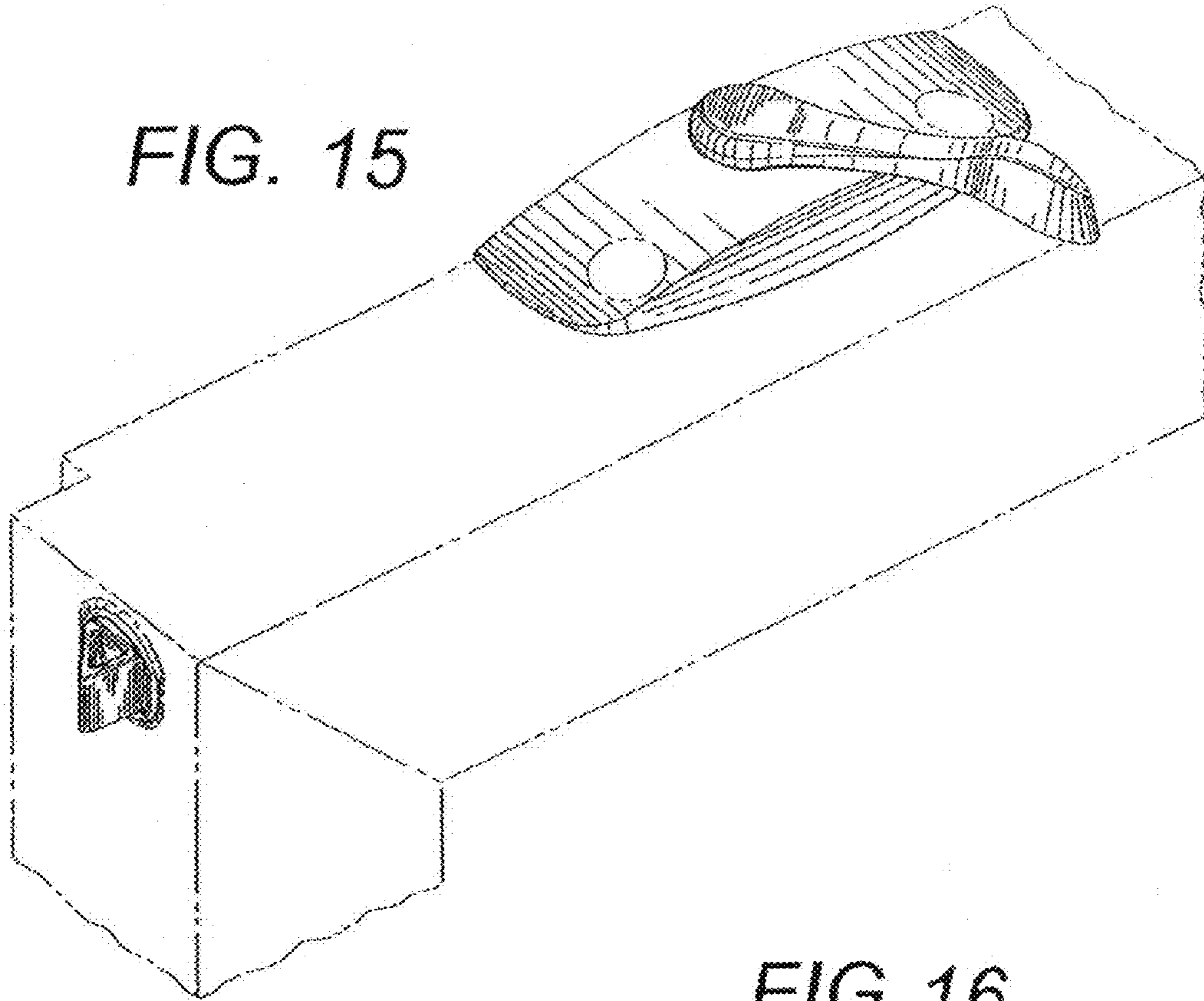


FIG. 16

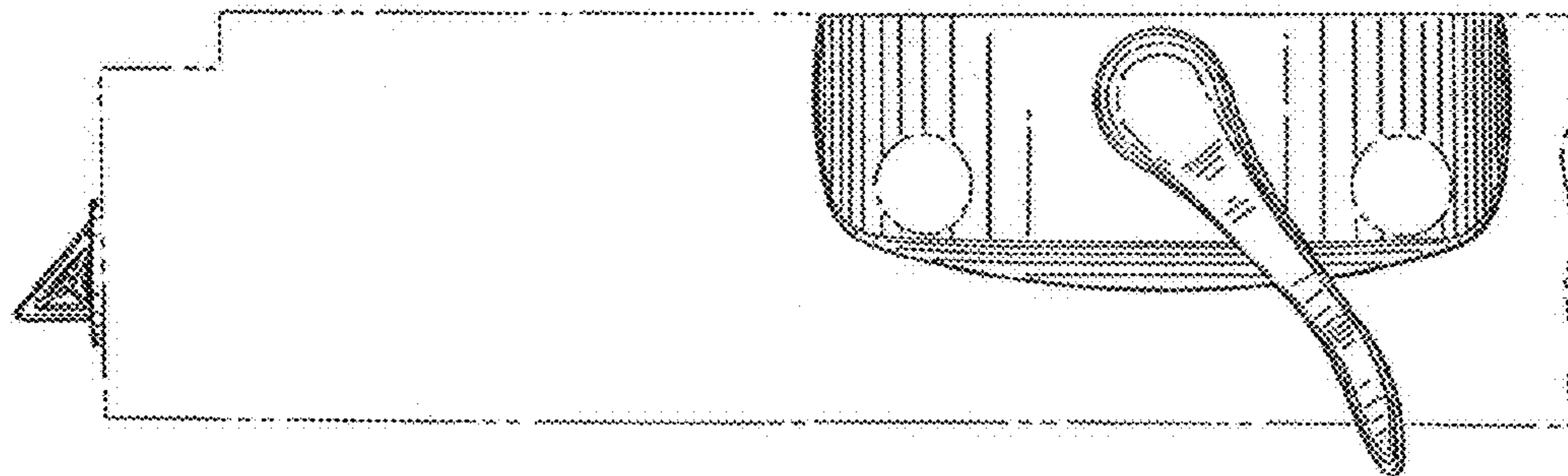


FIG. 17

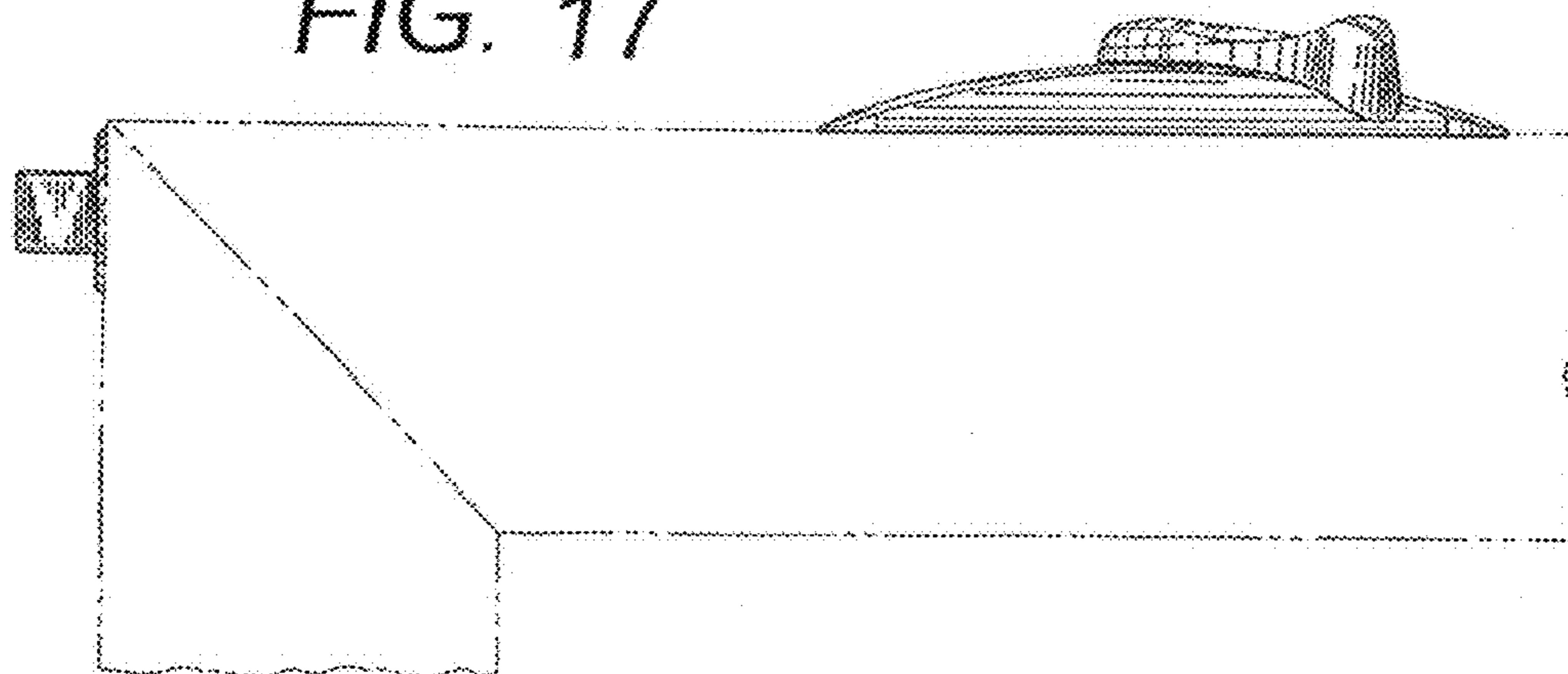


FIG. 18

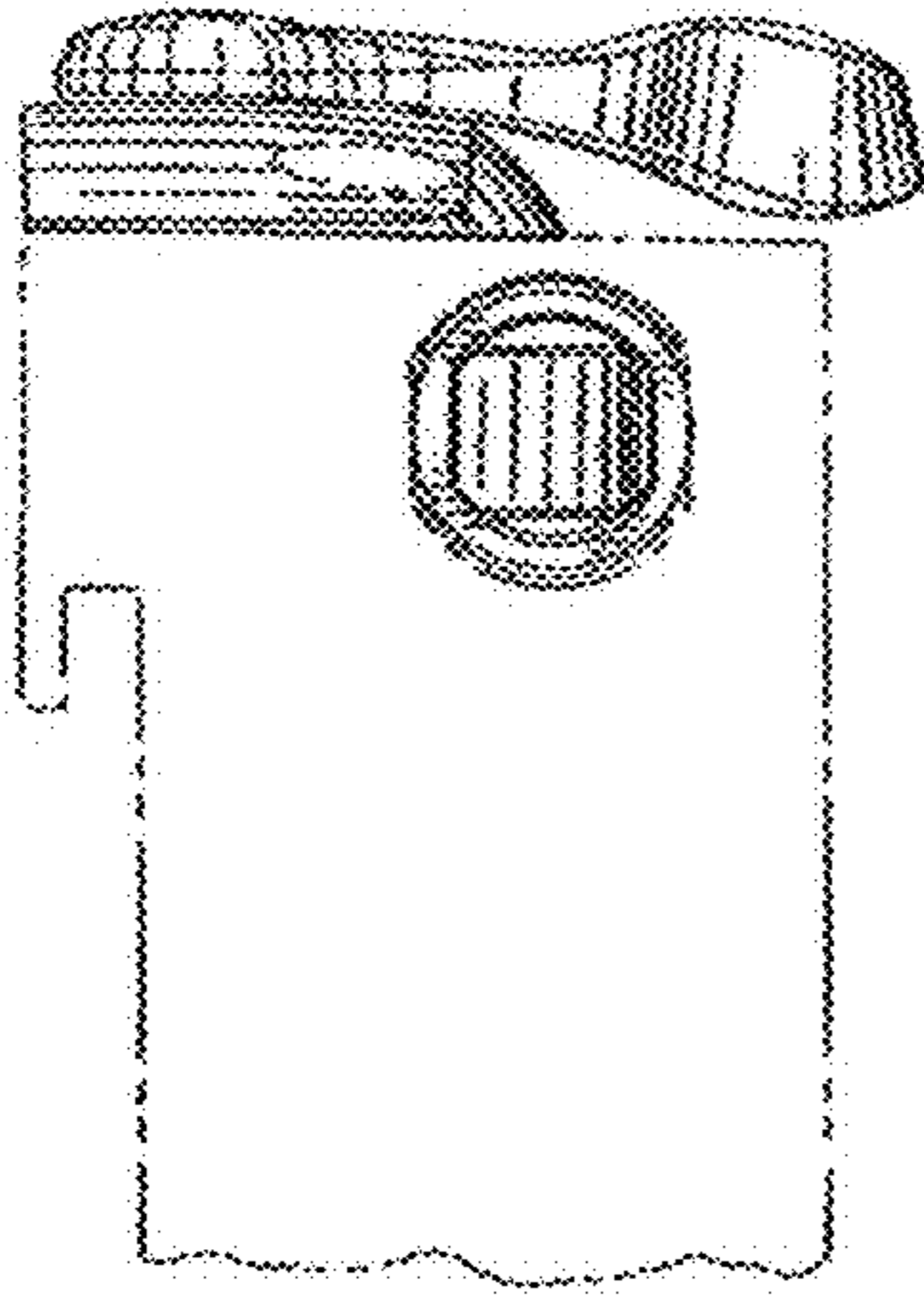


FIG. 19

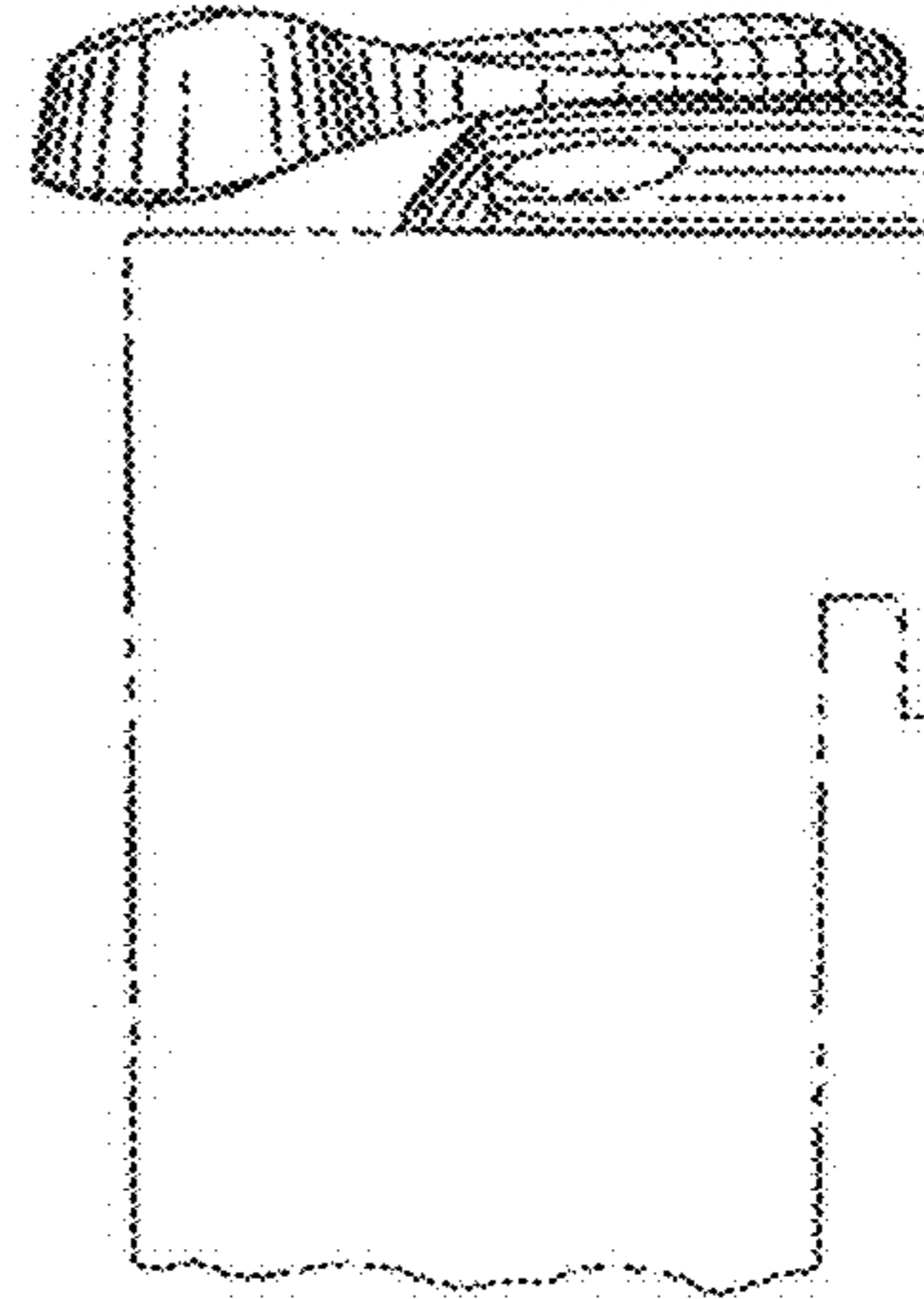


FIG. 20

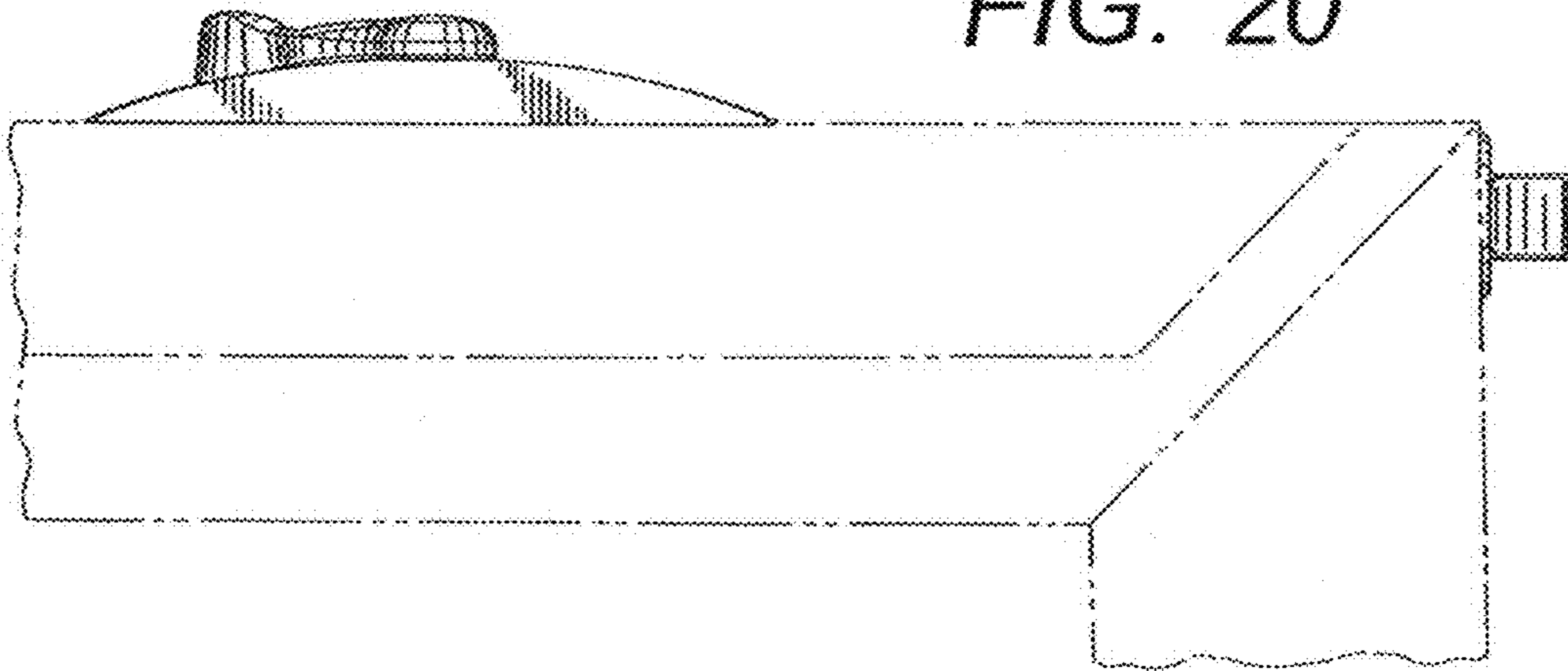


FIG. 21

