



US00D553940S

(12) **United States Design Patent**
Perez et al.

(10) **Patent No.:** **US D553,940 S**
(45) **Date of Patent:** **** Oct. 30, 2007**

(54) **HANDLE FOR TAPING KNIFE WITH ENLARGED HAMMER END**

(75) Inventors: **Ricardo Perez**, Hartford, CT (US);
Jason Lind, Barkhamsted, CT (US);
Matthew Earle Myers, Naperville, IL (US)

(73) Assignee: **United States Gypsum Company**,
Chicago, IL (US)

(**) Term: **14 Years**

(21) Appl. No.: **29/270,691**

(22) Filed: **Dec. 29, 2006**

Related U.S. Application Data

(63) Continuation of application No. 29/234,783, filed on Jul. 22, 2005, now Pat. No. Des. 541,617.

(51) **LOC (8) Cl.** **08-05**

(52) **U.S. Cl.** **D8/107**

(58) **Field of Classification Search** D8/45,
D8/14, 107, 21, 27, 47, 82-87, 99-101, DIG. 7;
D7/393, 395, 688, 693; 15/235.3, 236.01;
16/DIG. 12, DIG. 18, DIG. 19, 110.1, 421,
16/422, 430, 431, 435; 81/177.1, 436-439,
81/489-492, 60-62, 63.1; 192/43.2
See application file for complete search history.

(56) **References Cited**

U.S. PATENT DOCUMENTS

D157,904 S	3/1950	Reusch
D206,517 S	12/1966	Hañ
3,971,094 A	7/1976	Solf et al.
D282,716 S	2/1986	Heinis et al.
4,719,660 A	1/1988	Hopkins
D319,379 S	8/1991	Cummings et al.
5,390,572 A	2/1995	Gakhar et al.

5,615,445 A	4/1997	Kelsay et al.
D389,720 S	1/1998	Warner et al.
D397,281 S	8/1998	Hsu et al.
5,850,663 A	12/1998	Hardy et al.
5,920,943 A	7/1999	Barker
D414,395 S	9/1999	Panfli
5,956,799 A	9/1999	Panaccione et al.
6,131,290 A	10/2000	Chiou
D441,269 S	5/2001	Tsai
D444,692 S	7/2001	Marquardt
D446,104 S	8/2001	Chen
D446,437 S	8/2001	Chen
D462,251 S	9/2002	Collins et al.
6,453,563 B1	9/2002	Farland

(Continued)

Primary Examiner—Alan P. Douglas

Assistant Examiner—Barbara Fox

(74) *Attorney, Agent, or Firm*—Greer, Burns & Crain, Ltd.;
Michael M. Geoffrey; David F. Janci

(57) **CLAIM**

The ornamental design for a handle for taping knife with enlarged hammer end, as shown and described.

DESCRIPTION

FIG. 1 is a front view of the present handle, the rear view being identical;

FIG. 2 is a left side view of the handle of FIG. 1, the right side being identical;

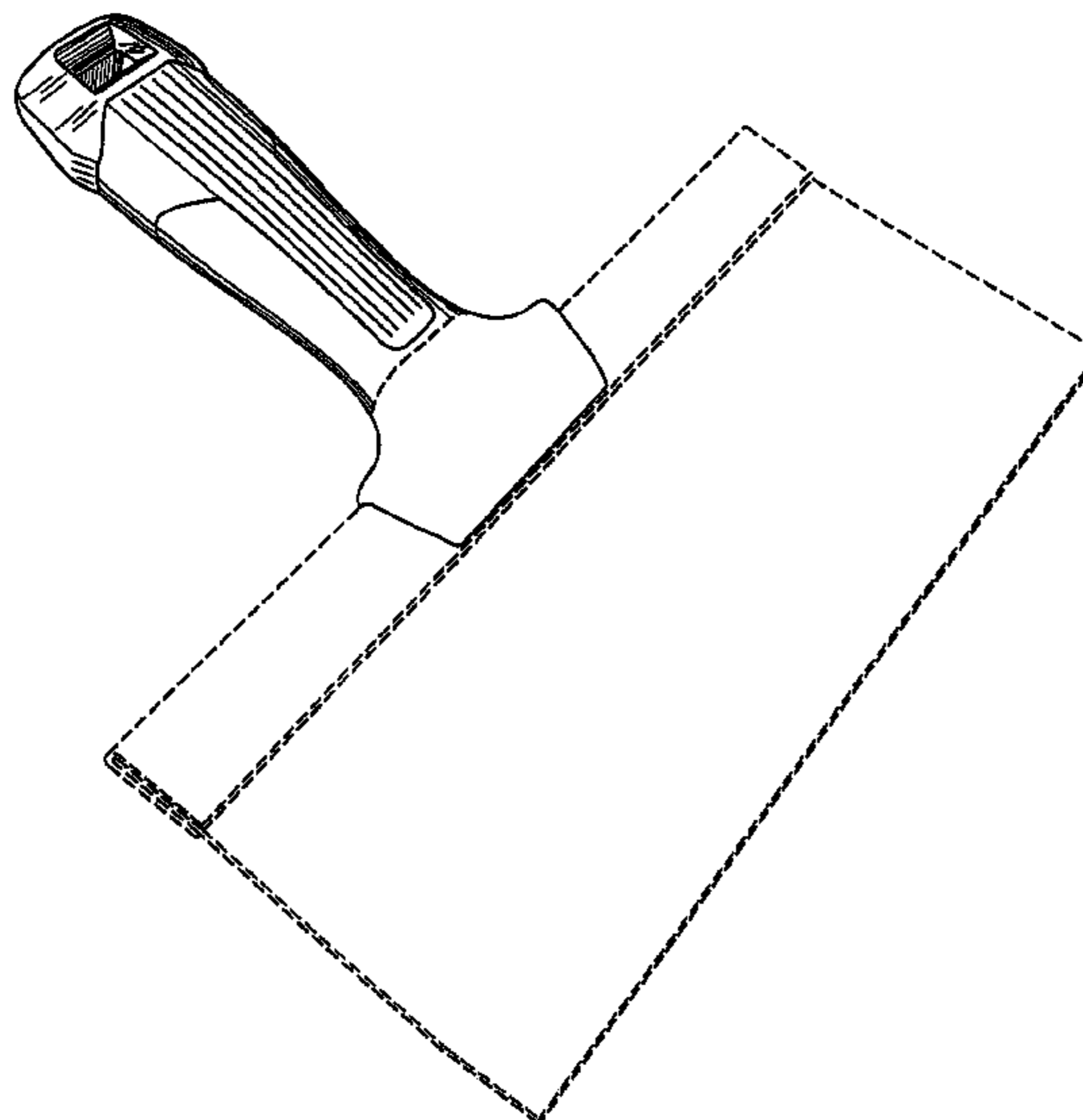
FIG. 3 is a top view of the handle of FIG. 1;

FIG. 4 is a bottom view of the handle of FIG. 1; and,

FIG. 5 is top perspective view of the handle of FIG. 1.

The subject matter depicted in broken lines is not intended to be part of the claimed invention and is shown only for environment purposes.

1 Claim, 4 Drawing Sheets



US D553,940 S

Page 2

U.S. PATENT DOCUMENTS

RE38,093 E	4/2003	Chiou	6,742,215 B2	6/2004	Panfilii et al.	
6,588,113 B2	7/2003	Bozikis et al.	D494,830 S	8/2004	Konen	
D482,259 S	11/2003	Chen	D495,227 S	8/2004	Hung	
6,647,629 B2	11/2003	Farland	D498,124 S	11/2004	Mitchell	
D482,874 S	12/2003	Dotterman	D500,600 S	1/2005	Hay et al.	
D483,244 S	12/2003	Chen	D516,893 S *	3/2006	Kuo	D8/83
D483,638 S	12/2003	Jimenez	D525,850 S *	8/2006	Huang	D8/83
D484,021 S	12/2003	Mariol	D526,875 S *	8/2006	Chen	D8/83
6,668,751 B1	12/2003	Henke	2003/0084545 A1	5/2003	Cheng	
D486,046 S	2/2004	Norton	2007/0017101 A1*	1/2007	Perez et al.	30/169
D487,219 S	3/2004	Chudy et al.	2007/0074401 A1*	4/2007	Myers et al.	30/142
D487,387 S	3/2004	Chen				

* cited by examiner

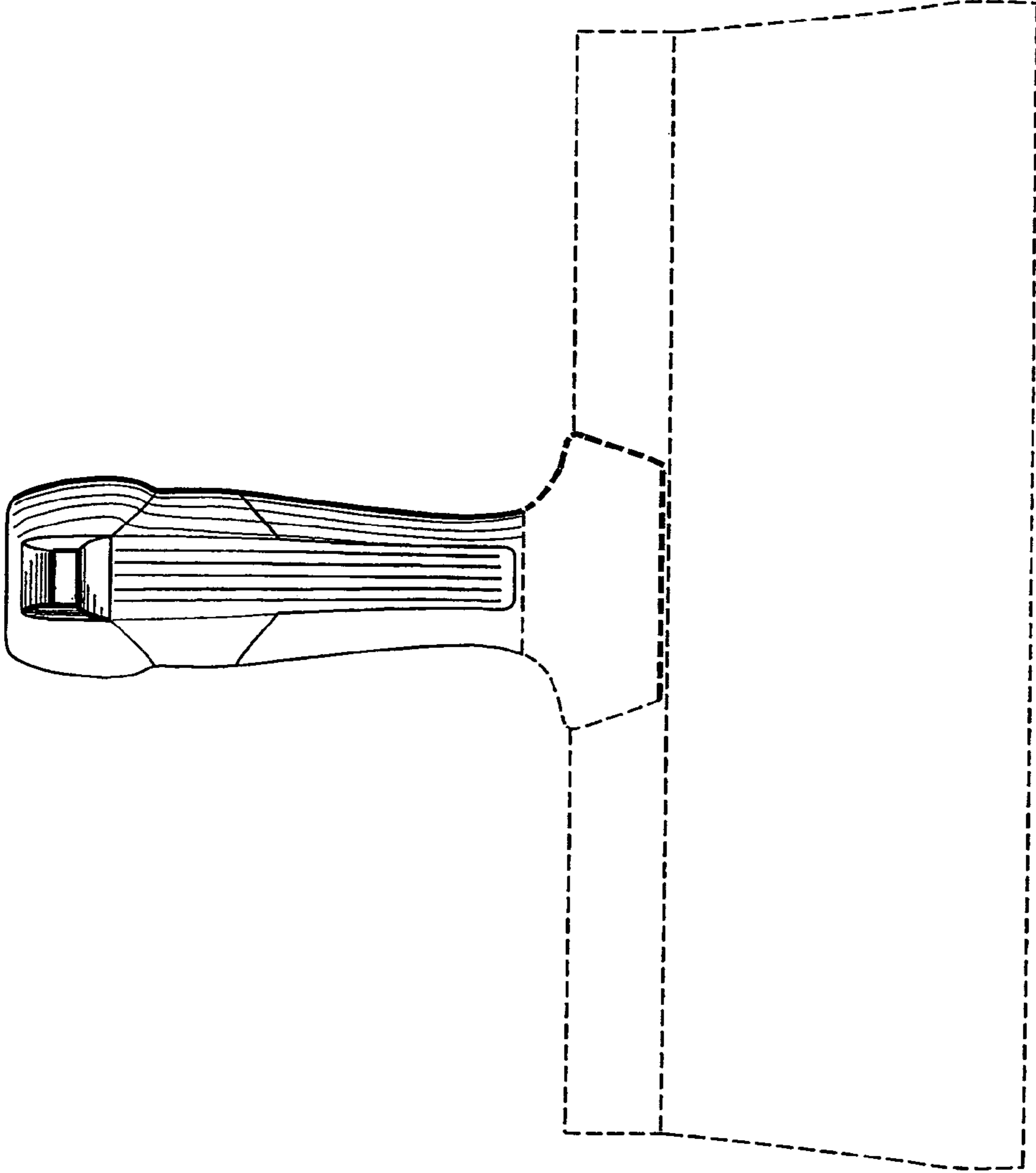


FIG. 1



FIG. 2

FIG. 3

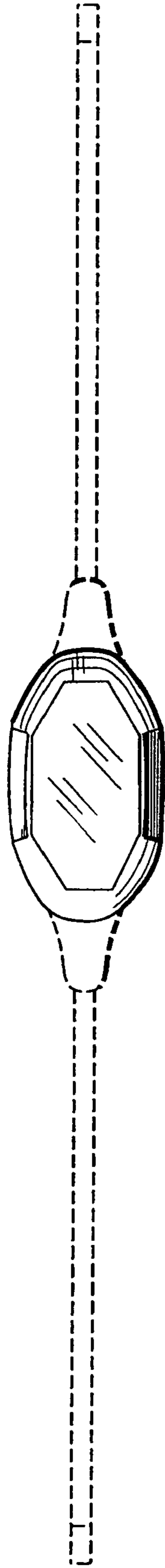
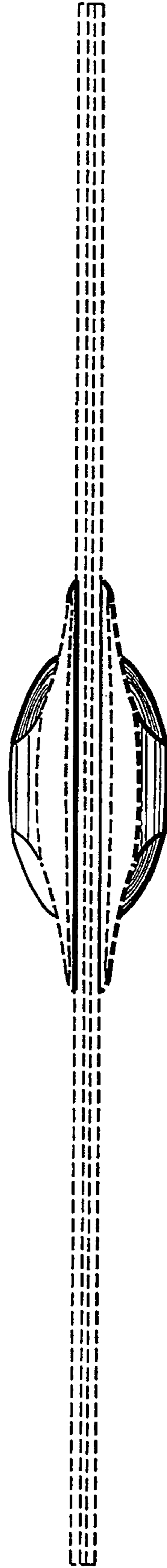


FIG. 4



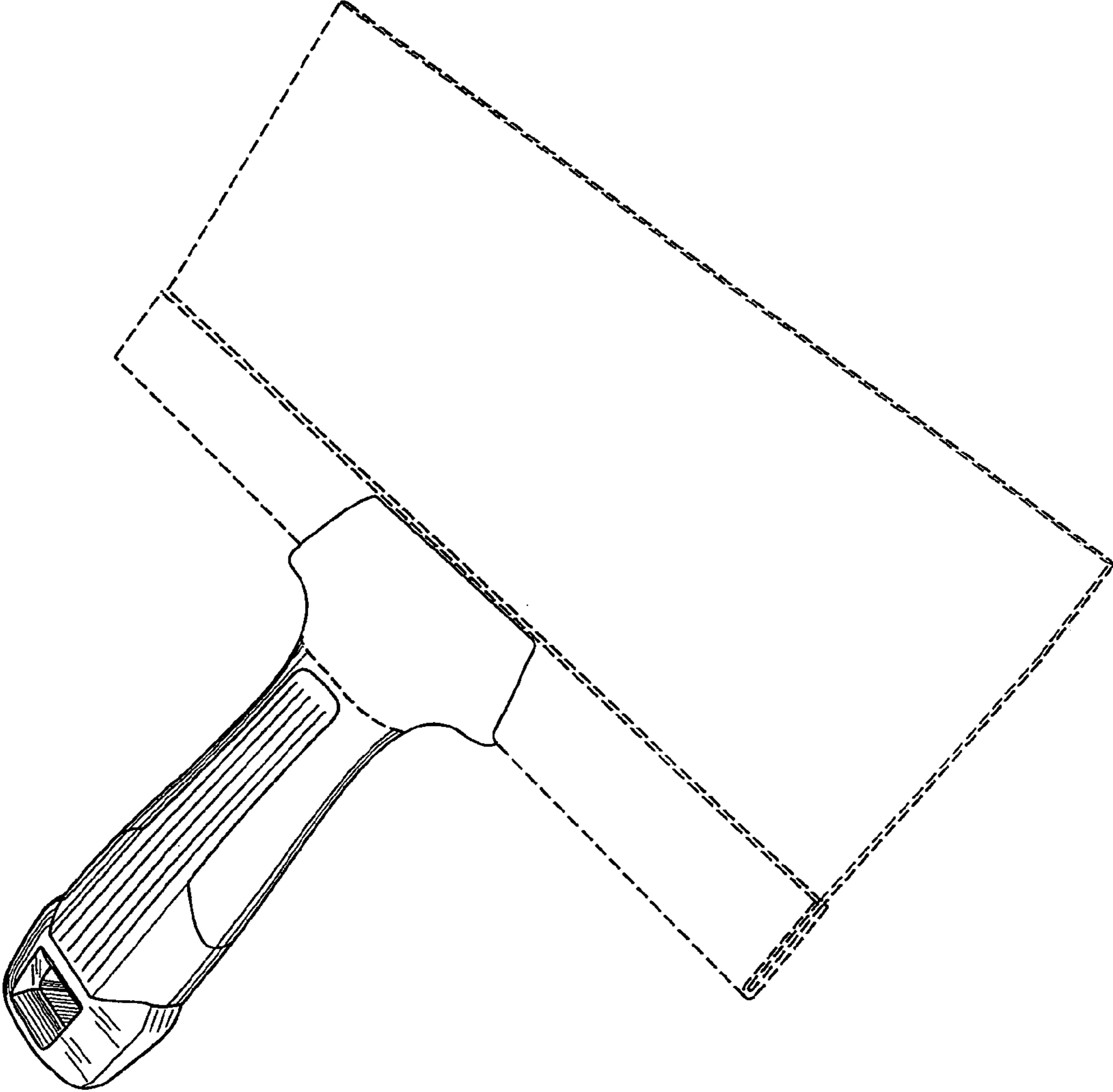


FIG. 5