



US00D553939S

(12) **United States Design Patent** (10) **Patent No.:** **US D553,939 S**  
**Bruno et al.** (45) **Date of Patent:** **\*\* Oct. 30, 2007**

(54) **OFFSET HANDLE FOR TAPING KNIFE**  
 (75) Inventors: **Robert Bruno**, Avon, CT (US); **Frank Sterpka**, West Hartford, CT (US); **Matthew Earle Myers**, Naperville, IL (US)

D414,395 S 9/1999 Panfili  
 5,956,799 A 9/1999 Panaccione et al.  
 6,131,290 A 10/2000 Chiou  
 D441,269 S 5/2001 Tsai  
 D444,692 S 7/2001 Marquardt  
 D446,104 S 8/2001 Chen  
 D446,437 S 8/2001 Chen  
 D462,251 S 9/2002 Collins et al.

(73) Assignee: **United States Gypsum Company**, Chicago, IL (US)

(Continued)

(\*\*) Term: **14 Years**

*Primary Examiner*—Alan P. Douglas

*Assistant Examiner*—Barbara Fox

(21) Appl. No.: **29/270,679**

(74) *Attorney, Agent, or Firm*—Greer, Burns & Crain, Ltd.; Michael M. Geoffrey; David F. Janci

(22) Filed: **Dec. 29, 2006**

(57) **CLAIM**

(51) **LOC (8) Cl.** ..... **08-05**

The ornamental design for an offset handle for taping knife, as shown and described.

(52) **U.S. Cl.** ..... **D8/107**

(58) **Field of Classification Search** ..... D8/45,  
 D8/14, 107, 21, 27, 47, 82–87, 99–101, DIG. 7;  
 D7/393, 395, 688, 693; 15/235.3, 236.01;  
 16/DIG. 12, DIG. 18, DIG. 19, 110.1, 421,  
 16/422, 430, 431, 435; 81/177.1, 436–439,  
 81/489–492, 60–62, 63.1; 192/43.2

**DESCRIPTION**

This Application claims the benefit of prior U.S. application Ser. No. 29/234,822, filed Jul. 22, 2005.

See application file for complete search history.

FIG. 1 is a front view of the present taping knife handle;  
 FIG. 2 is a rear view of same;  
 FIG. 3 is a left side view of the taping knife handle of FIG. 1;

(56) **References Cited**

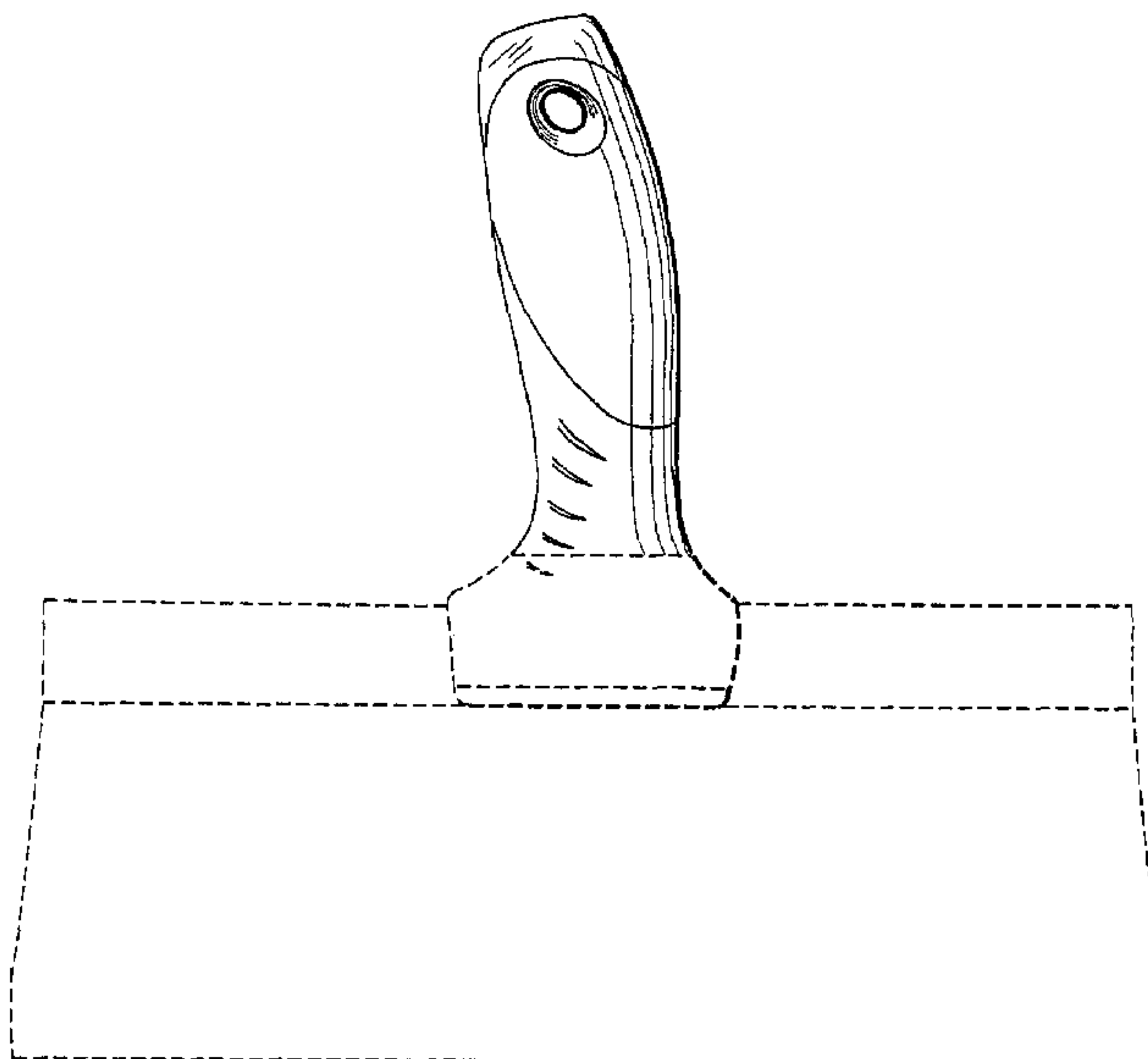
U.S. PATENT DOCUMENTS

D157,904 S 3/1950 Reusch  
 D206,517 S 12/1966 Han  
 3,971,094 A 7/1976 Solf et al.  
 D282,716 S 2/1986 Heinis et al.  
 4,719,660 A 1/1988 Hopkins  
 D319,379 S 8/1991 Cummings et al.  
 5,390,572 A 2/1995 Gakhar et al.  
 5,615,445 A 4/1997 Kelsay et al.  
 D389,720 S 1/1998 Warner et al.  
 D397,281 S 8/1998 Hsu et al.  
 5,850,663 A 12/1998 Hardy et al.  
 5,920,943 A 7/1999 Barker

FIG. 4 is a right side view of same;  
 FIG. 5 is top view of the taping knife handle of FIG. 1;  
 FIG. 6 is a bottom view of same; and,  
 FIG. 7 is a top perspective view of the taping knife handle of FIG. 1.

The subject matter depicted in broken lines is not intended to be part of the claimed invention and is shown only for environment purposes.

**1 Claim, 5 Drawing Sheets**



# US D553,939 S

Page 2

---

## U.S. PATENT DOCUMENTS

6,453,563 B1	9/2002	Farland	D487,219 S	3/2004	Chudy et al.
RE38,093 E	4/2003	Chiou	D487,387 S	3/2004	Chen
6,588,113 B2	7/2003	Bozikis et al.	6,742,215 B2	6/2004	Panfili et al.
D482,259 S	11/2003	Chen	D494,830 S	8/2004	Konen
6,647,629 B2	11/2003	Farland	D495,227 S	8/2004	Hung
D482,874 S	12/2003	Dotterman	D498,124 S	11/2004	Mitchell
D483,244 S	12/2003	Chen	D500,600 S	1/2005	Hay et al.
D483,638 S	12/2003	Jimenez	D527,244 S *	8/2006	Holby ..... D8/107
D484,021 S	12/2003	Mariol	D536,233 S *	2/2007	Lin ..... D8/107
6,668,751 B1	12/2003	Henke	2003/0084545 A1	5/2003	Cheng
D486,046 S	2/2004	Norton	2007/0017052 A1 *	1/2007	Bruno et al. .... 15/236.01

\* cited by examiner

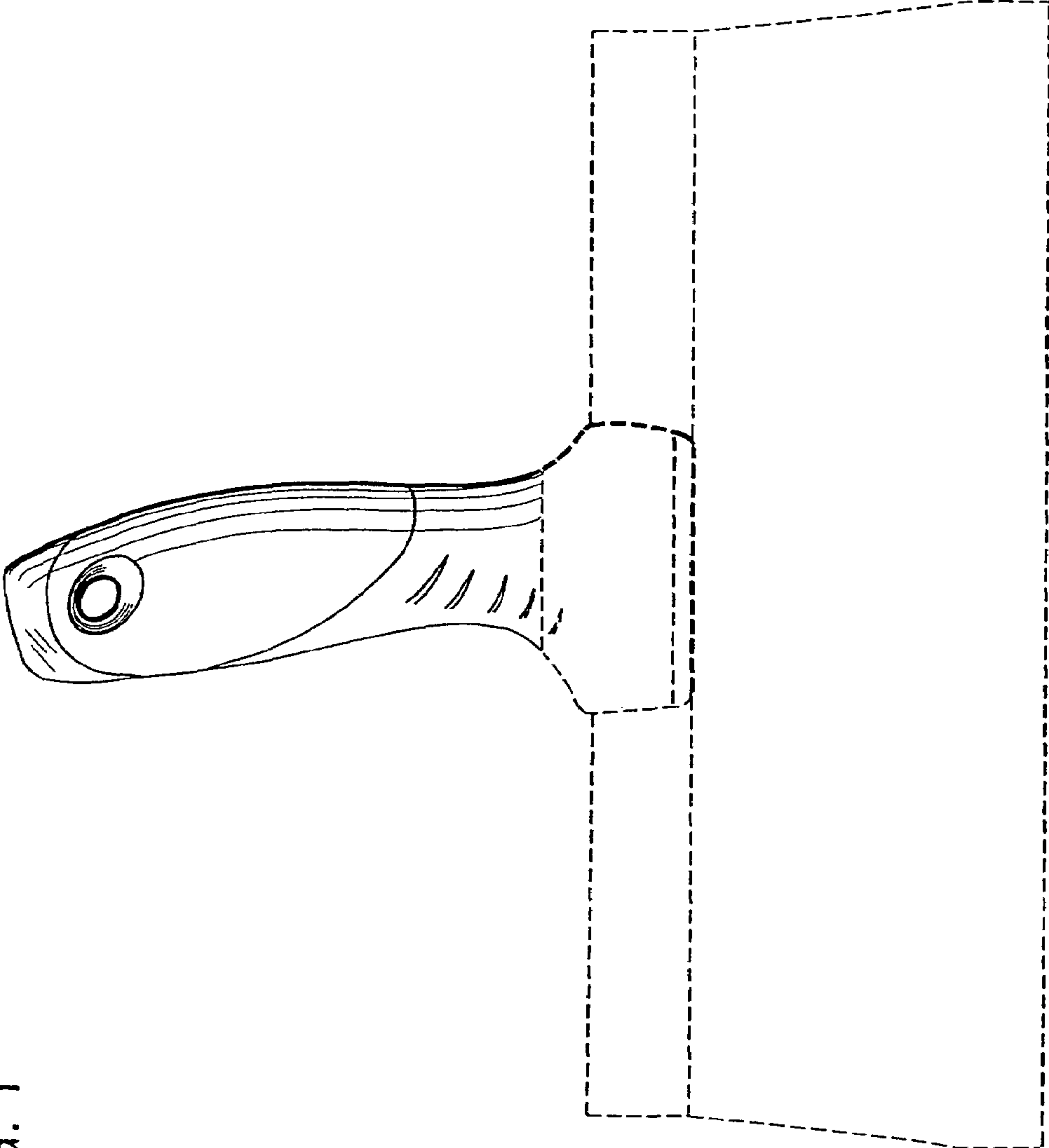


FIG. 1

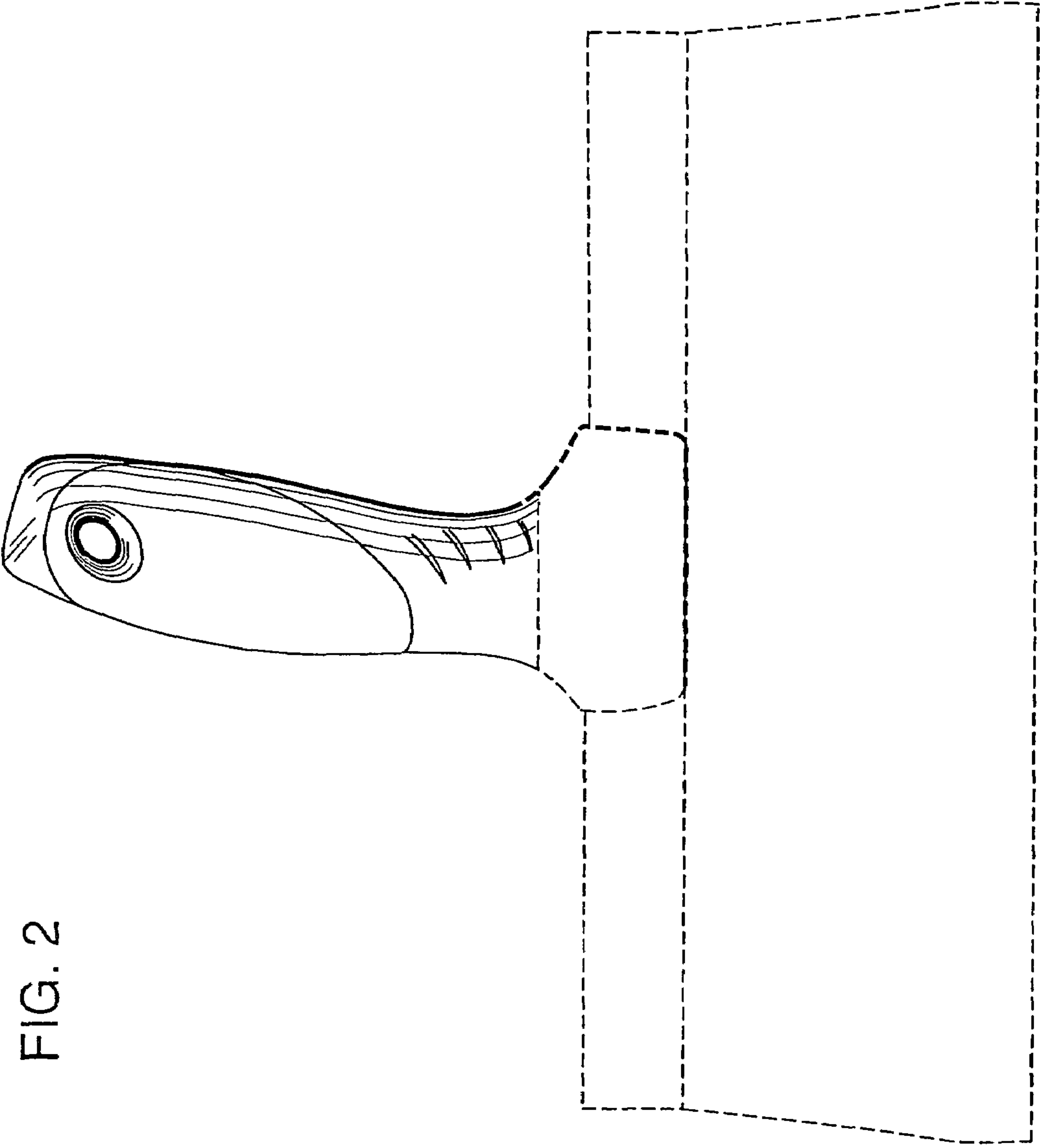


FIG. 2

FIG. 3

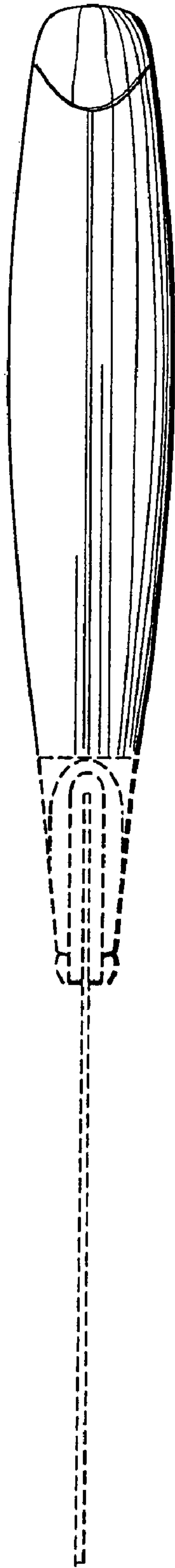


FIG. 4

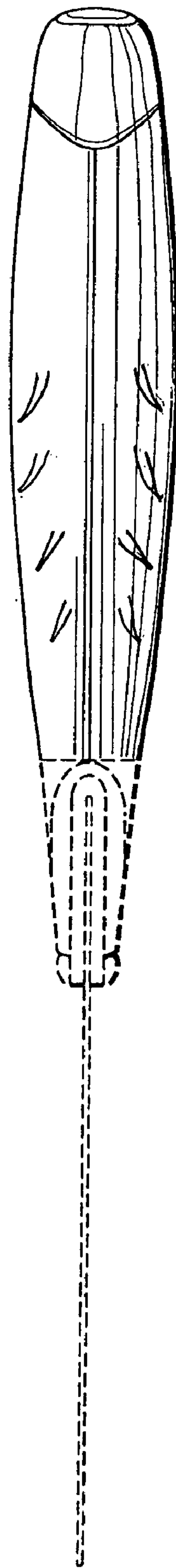


FIG. 5

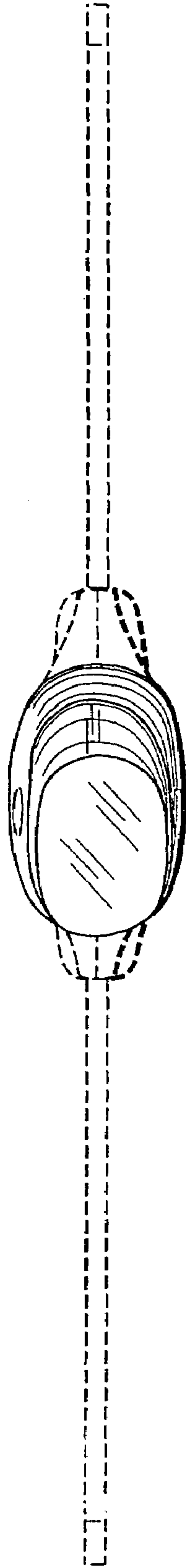
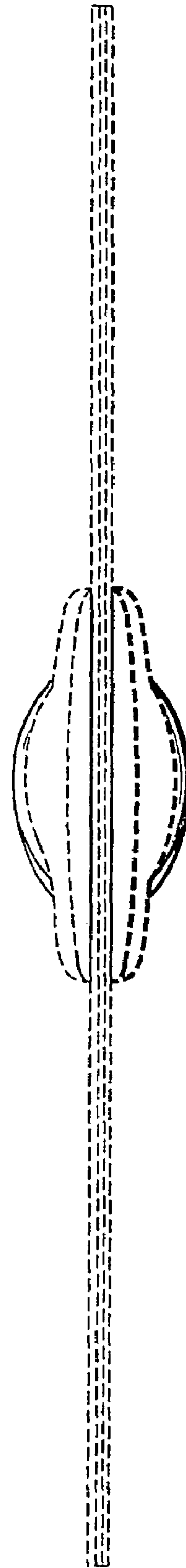


FIG. 6



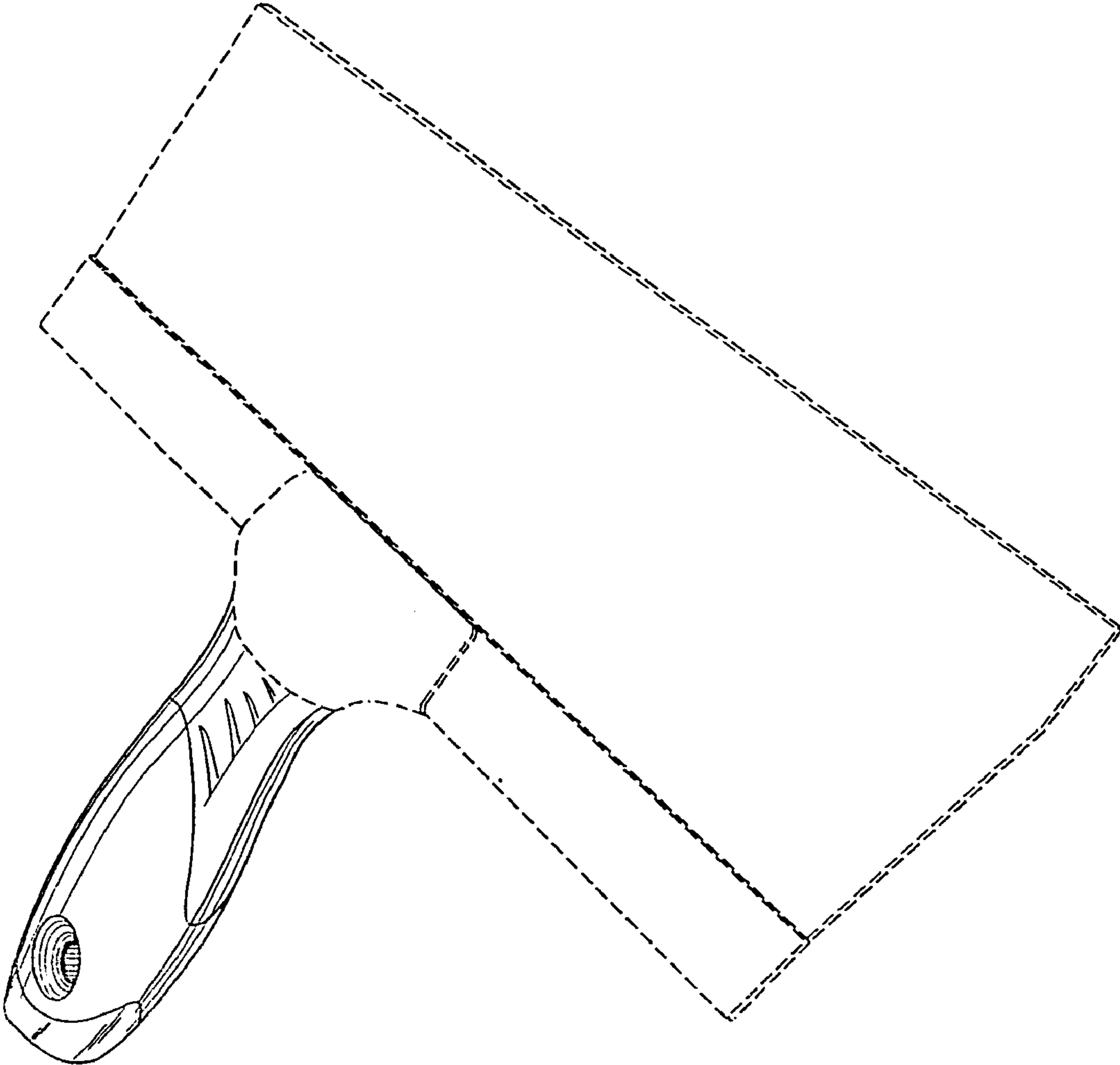


FIG. 7