



US00D553937S

(12) **United States Design Patent**
Karlsson et al.

(10) **Patent No.:** **US D553,937 S**

(45) **Date of Patent:** **** Oct. 30, 2007**

(54) **HANDLE FOR CHAIN SAW**

(75) Inventors: **Kenneth Karlsson**, Hyssna (SE);
Magnus Andersson, Linköping (SE);
Pär Martinsson, Jönköping (SE)

(73) Assignee: **Husqvarna AB**, Huskvarna (SE)

(**) Term: **14 Years**

(21) Appl. No.: **29/214,320**

(22) Filed: **Sep. 30, 2004**

(30) **Foreign Application Priority Data**

Jul. 12, 2004 (EM) 000201777

(51) **LOC (8) Cl.** **08-03**

(52) **U.S. Cl.** **D8/107**

(58) **Field of Classification Search** D8/61,
D8/65, 69, 107, 8, 70, 67, 83, 303; D15/1,
D15/18, 16; D12/179; D13/168, 169; D14/412;
30/381, 383, 370, 276, 347; 56/239, 249,
56/255, 289, 285; 83/788, 814
See application file for complete search history.

(56) **References Cited**

U.S. PATENT DOCUMENTS

4,625,406 A * 12/1986 Fushiya et al. 30/381

D303,346 S *	9/1989	Ogawa	D8/61
4,939,842 A *	7/1990	Rebhan	30/386
D379,291 S *	5/1997	Bunyea et al.	D8/64
6,105,263 A *	8/2000	Stones et al.	30/382
6,206,162 B1 *	3/2001	Stones et al.	192/69.7
D487,216 S *	3/2004	Arvidsson et al.	D8/8
7,219,433 B2 *	5/2007	Gorenflo et al.	30/383
2005/0178010 A1 *	8/2005	Petrenko	30/383

* cited by examiner

Primary Examiner—Alan P. Douglas

Assistant Examiner—Barbara Fox

(74) *Attorney, Agent, or Firm*—Pearne & Gordon LLP

(57) **CLAIM**

The ornamental design for a handle for chain saw, as shown and described.

DESCRIPTION

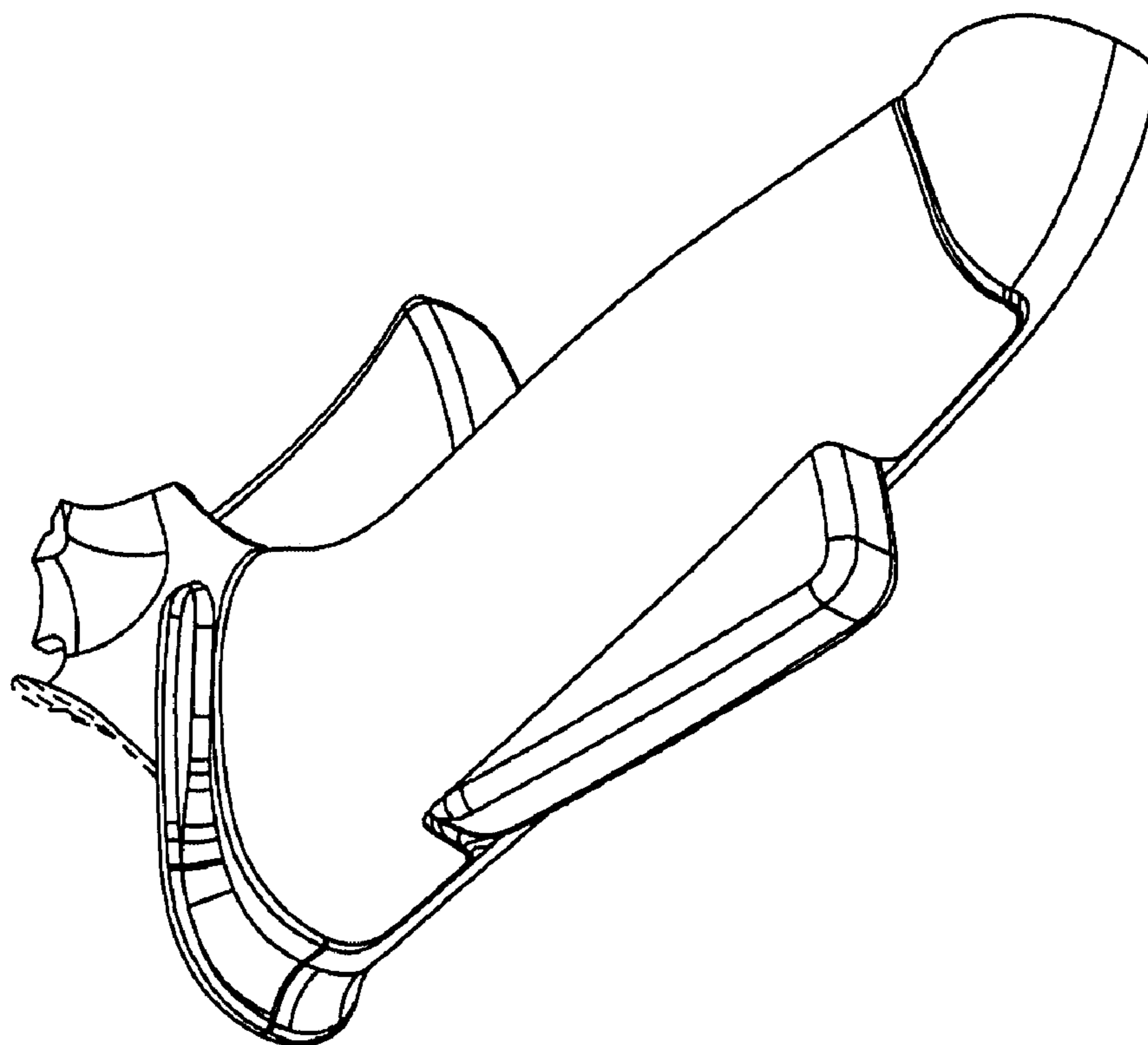
FIG. 1 is a left perspective view of my new design for a handle for chain saw;

FIG. 2 is a right perspective view thereof; and,

FIG. 3 is a rear elevational view of FIG. 1.

The broken line showing of elements in FIGS. 1-3 is for illustrative purposes only and forms no part of the claimed design.

1 Claim, 3 Drawing Sheets



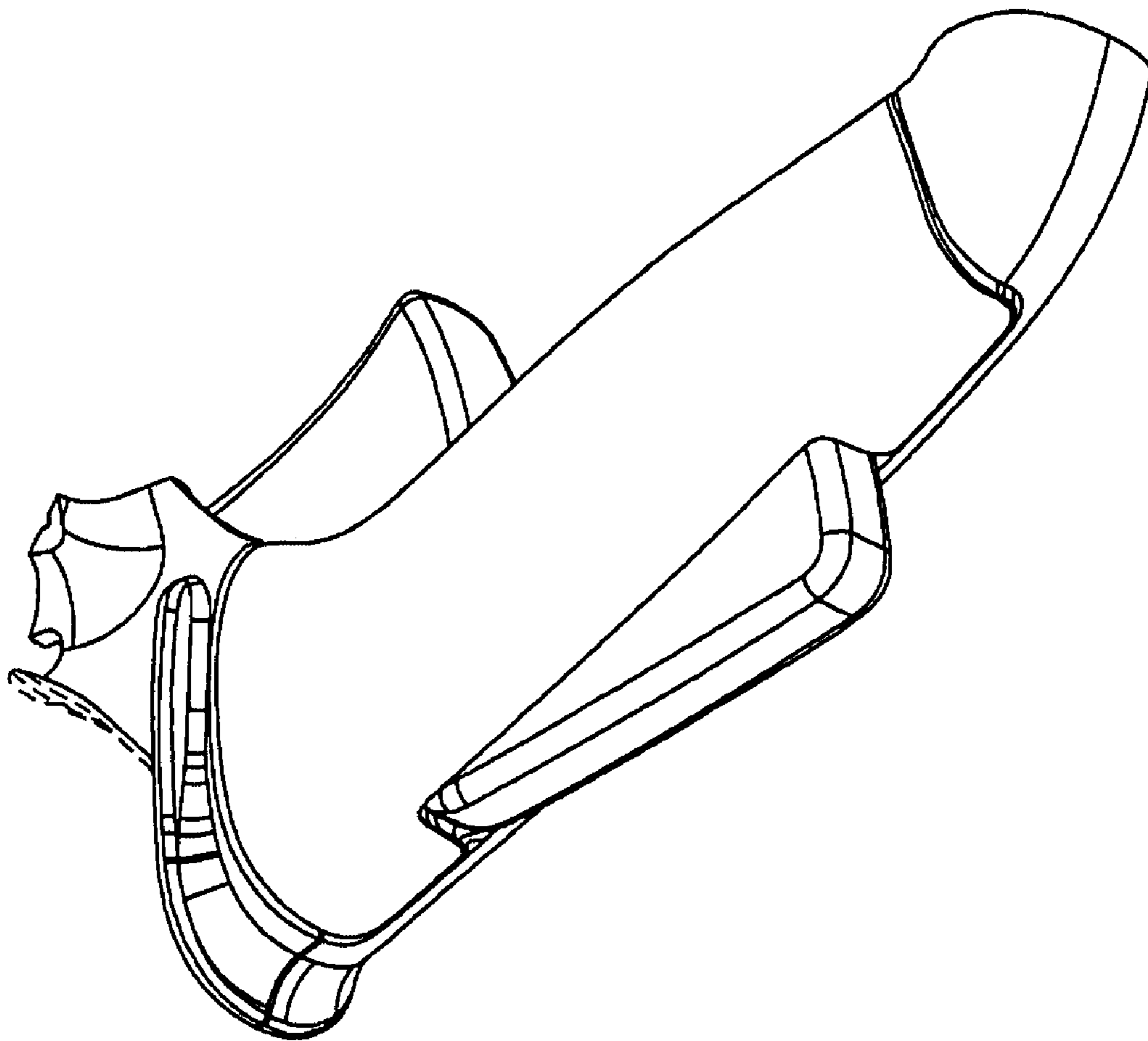


FIG. 1

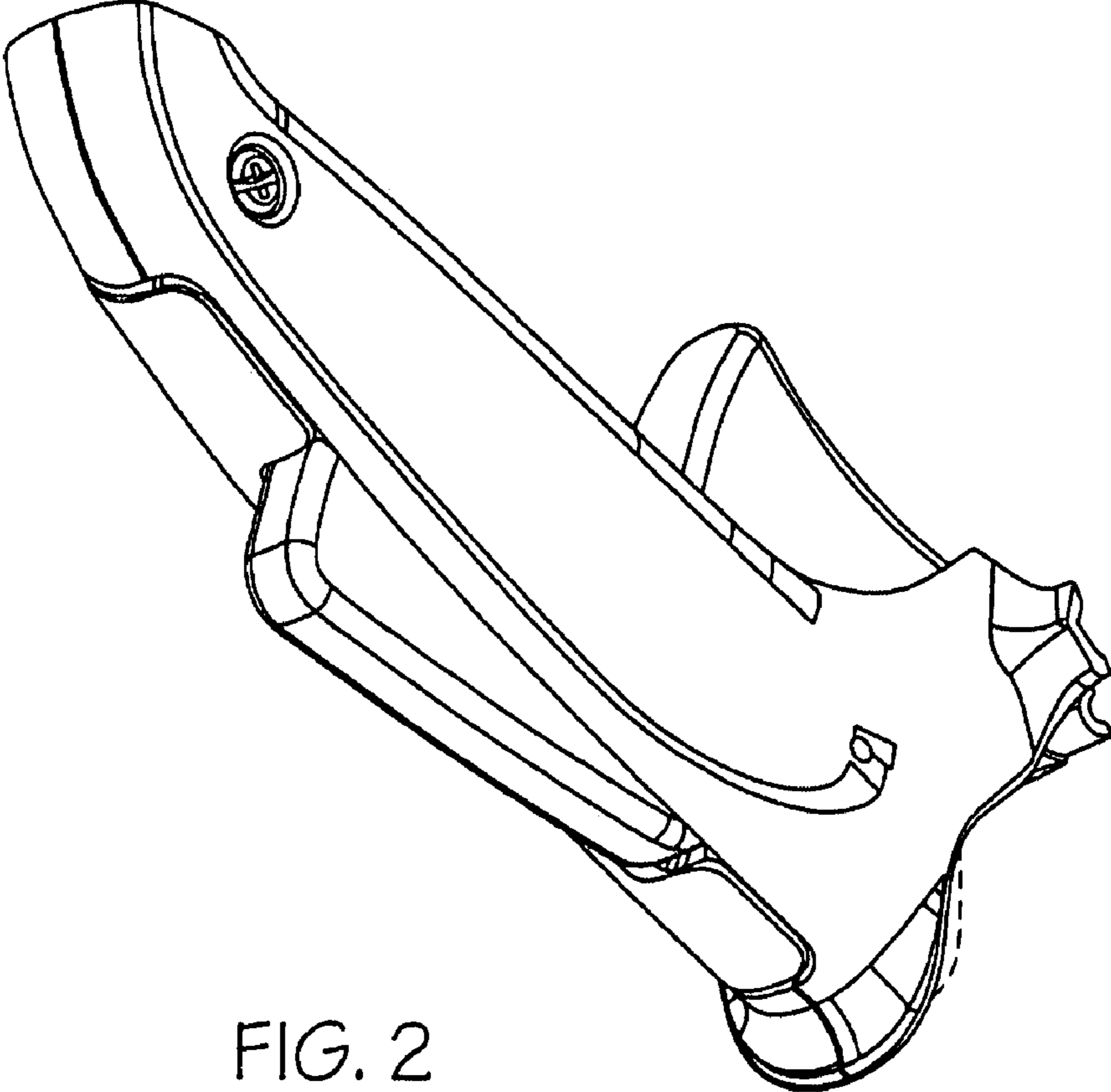


FIG. 2

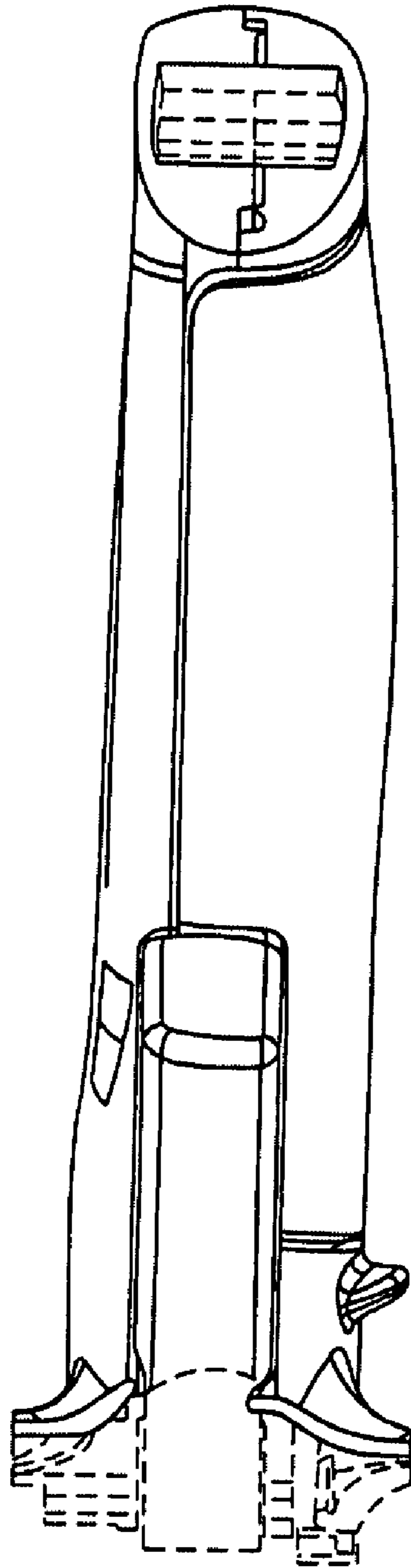


FIG. 3