



US00D553933S

(12) **United States Design Patent**
Esenwein

(10) **Patent No.:** **US D553,933 S**

(45) **Date of Patent:** **** Oct. 30, 2007**

(54) **SAFETY GUARD FOR A HAND TOOL**

(75) Inventor: **Florian Esenwein**, Uhingen-Holzhausen (DE)

(73) Assignee: **Robert Bosch GmbH**, Stuttgart (DE)

(**) Term: **14 Years**

(21) Appl. No.: **29/277,363**

(22) Filed: **Feb. 22, 2007**

(30) **Foreign Application Priority Data**

Oct. 18, 2006 (EM) 000606587

(51) **LOC (8) Cl.** **08-03**

(52) **U.S. Cl.** **D8/70**

(58) **Field of Classification Search** D8/5-9,
D8/16, 19, 20, 61-71, 90, 98, 99; D15/7,
D15/15, 17, 29, 77, 78, 124-140; 30/346,
30/347; 83/478, 676, 835, 839, 848, 852,
83/854, 855; 125/15, 18; 144/230, 231;
451/41, 47, 56, 324, 443, 451, 523, 533,
451/544, 545, 547, 548-551; 407/51, 118

See application file for complete search history.

(56) **References Cited**

U.S. PATENT DOCUMENTS

D297,907 S *	10/1988	Hoshimo et al.	D8/62
D301,830 S *	6/1989	Ogawa et al.	D8/62
D305,399 S *	1/1990	Fushiya et al.	D8/62
4,891,915 A *	1/1990	Yasuda	451/359
5,005,321 A *	4/1991	Barth et al.	451/359
5,031,325 A *	7/1991	Walter et al.	30/390
D323,100 S *	1/1992	Pastore	D8/70
5,163,252 A *	11/1992	Garner et al.	451/451
D439,819 S *	4/2001	Bass et al.	D8/70
D456,234 S *	4/2002	Keller	D8/70

D456,685 S *	5/2002	Keller	D8/70
6,464,573 B1 *	10/2002	Keller	451/451
6,669,544 B1 *	12/2003	Walz et al.	451/454
6,949,017 B2 *	9/2005	Koschel et al.	451/358
6,988,939 B2 *	1/2006	Hofmann et al.	451/344
7,014,547 B2 *	3/2006	Kleider	451/359
D523,308 S *	6/2006	Corcoran	D8/62
7,063,606 B2 *	6/2006	Stierle et al.	451/359
D528,887 S *	9/2006	Wright	D8/62
D537,691 S *	3/2007	Lamprecht et al.	D8/70
D537,692 S *	3/2007	Aglassinger	D8/70
D540,638 S *	4/2007	Concari et al.	D8/62
D544,325 S *	6/2007	Wright	D8/62
D544,326 S *	6/2007	Sterpka et al.	D8/62
2006/0052041 A1 *	3/2006	Wiker	451/451
2006/0068690 A1 *	3/2006	Koschel et al.	451/451

* cited by examiner

Primary Examiner—T. Chase Nelson

Assistant Examiner—Karen Acker

(74) *Attorney, Agent, or Firm*—Michael J. Striker

(57) **CLAIM**

The ornamental design for a safety guard for a hand tool, as shown and described.

DESCRIPTION

FIG. 1 is a front perspective view of a safety guard for a hand tool showing my new design;

FIG. 2 is a bottom view thereof;

FIG. 3 is a front view thereof;

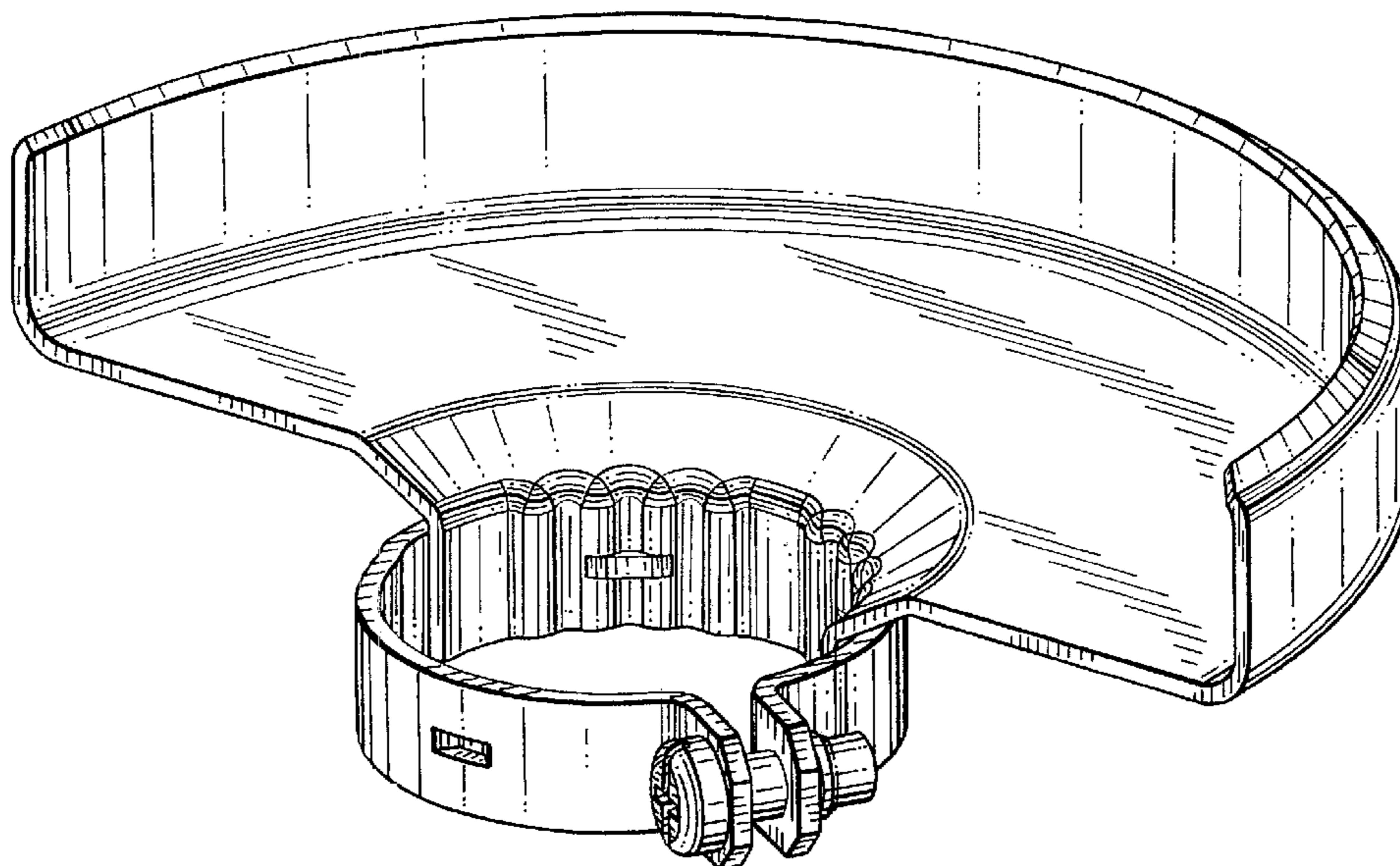
FIG. 4 is a side view thereof;

FIG. 5 is the opposite side view of FIG. 4 thereof;

FIG. 6 is a rear view thereof; and,

FIG. 7 is a top view thereof.

1 Claim, 7 Drawing Sheets



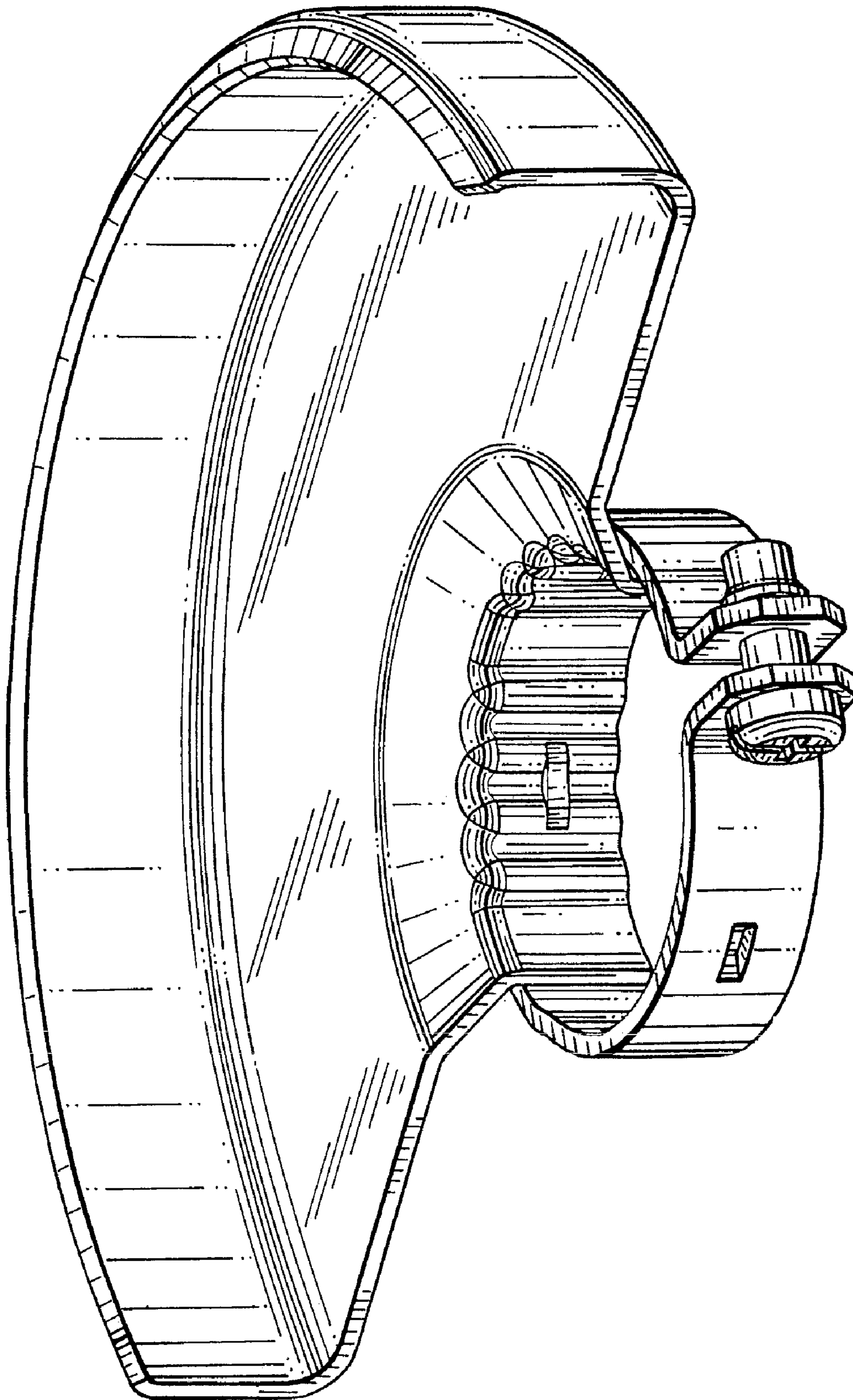


FIG. 1

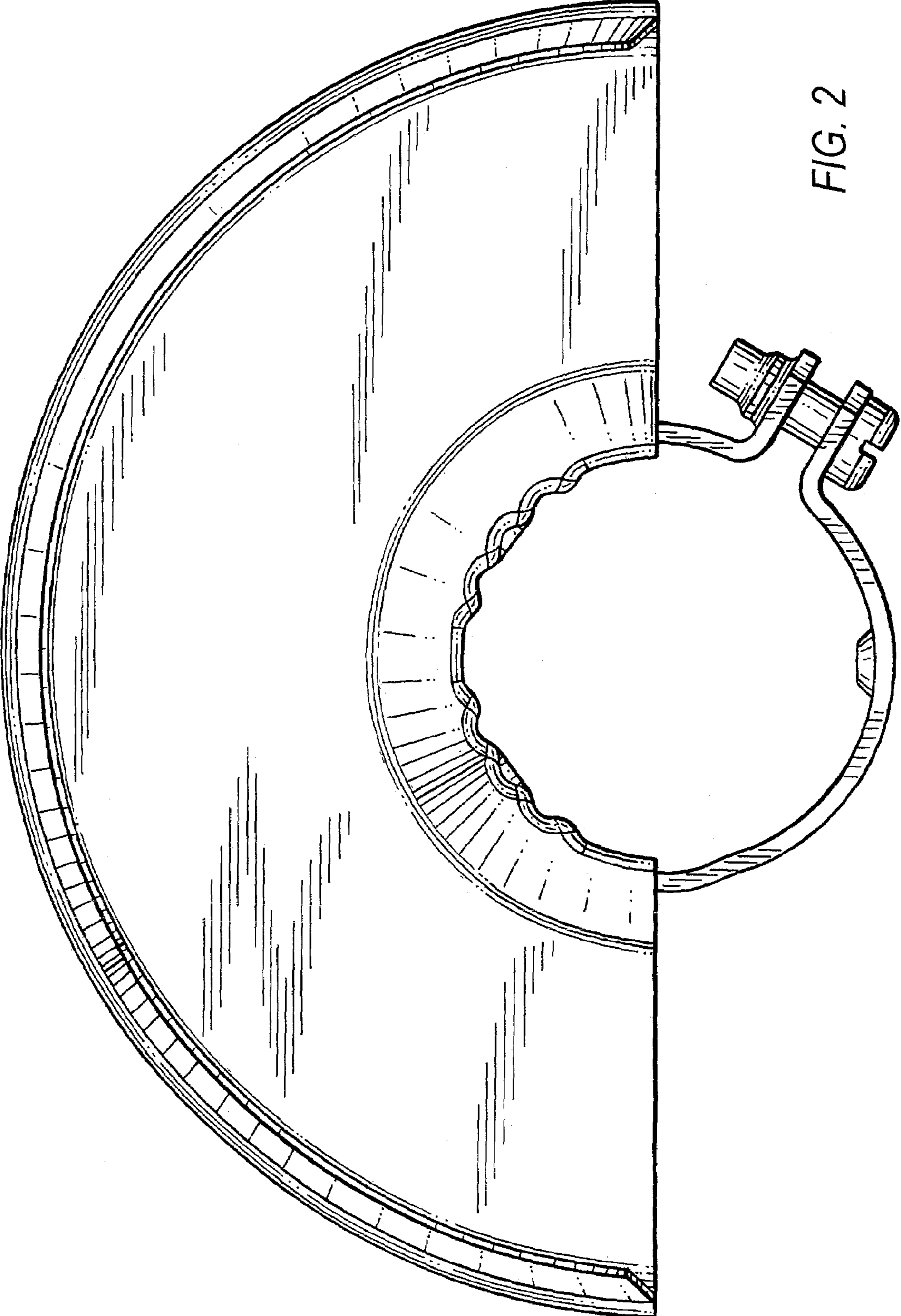


FIG. 2

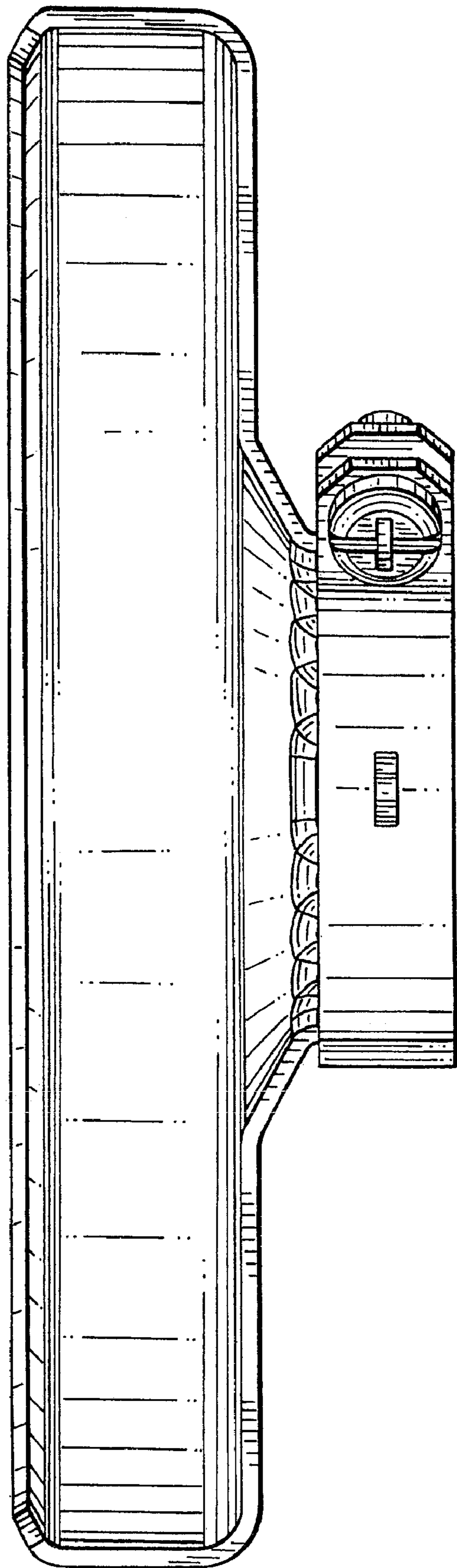


FIG. 3

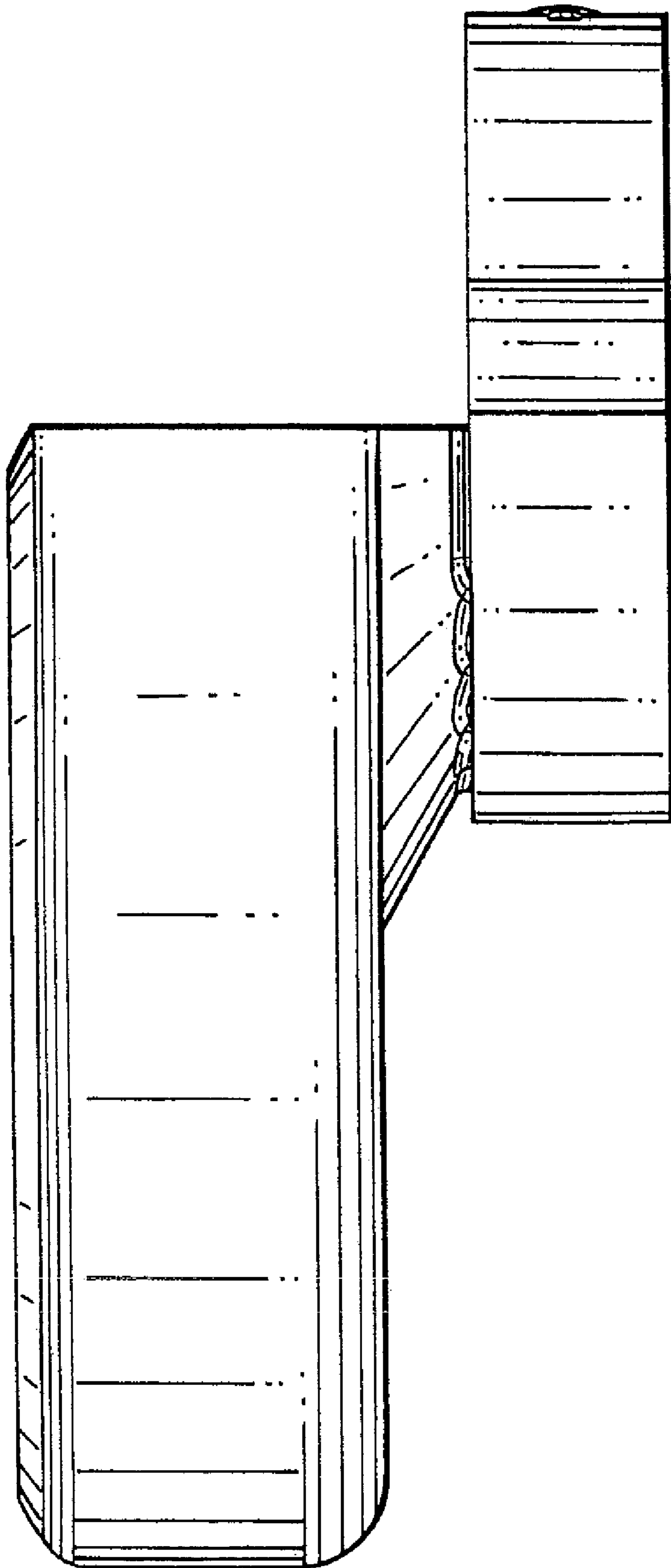


FIG. 4

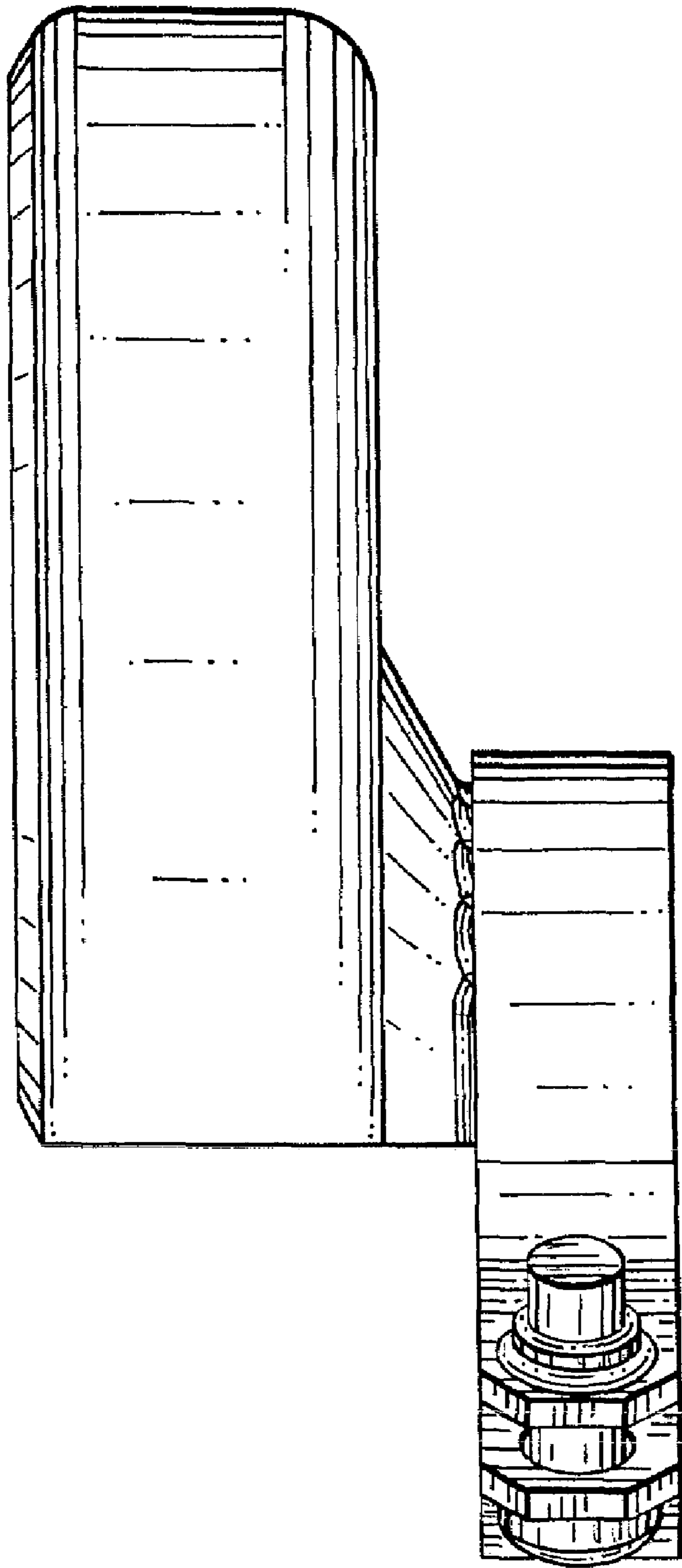


FIG. 5

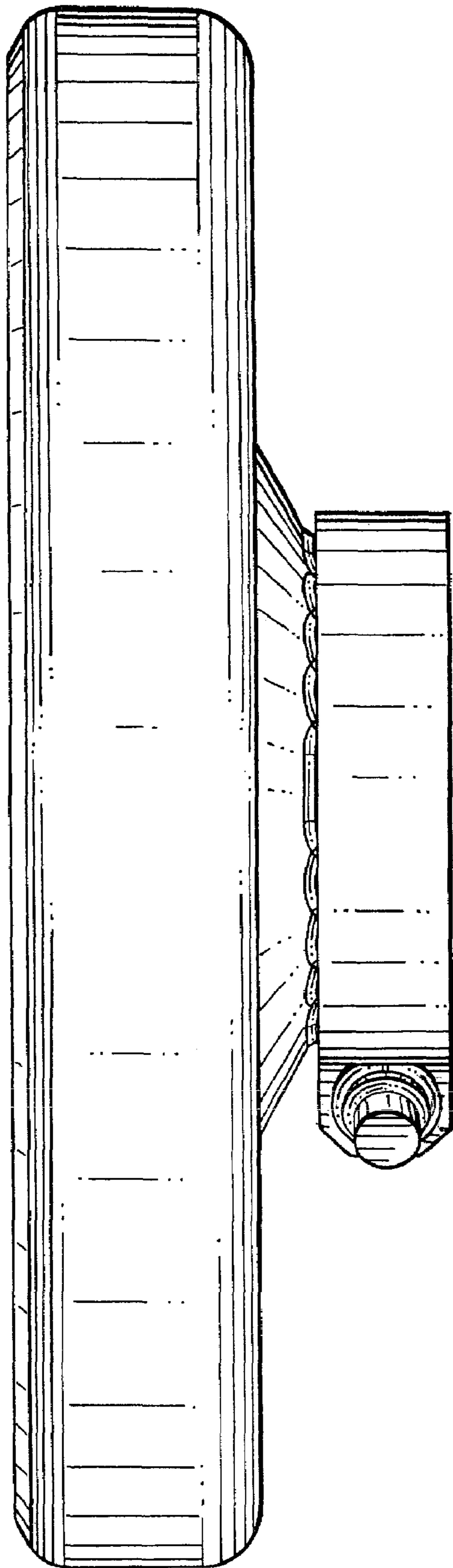


FIG. 6

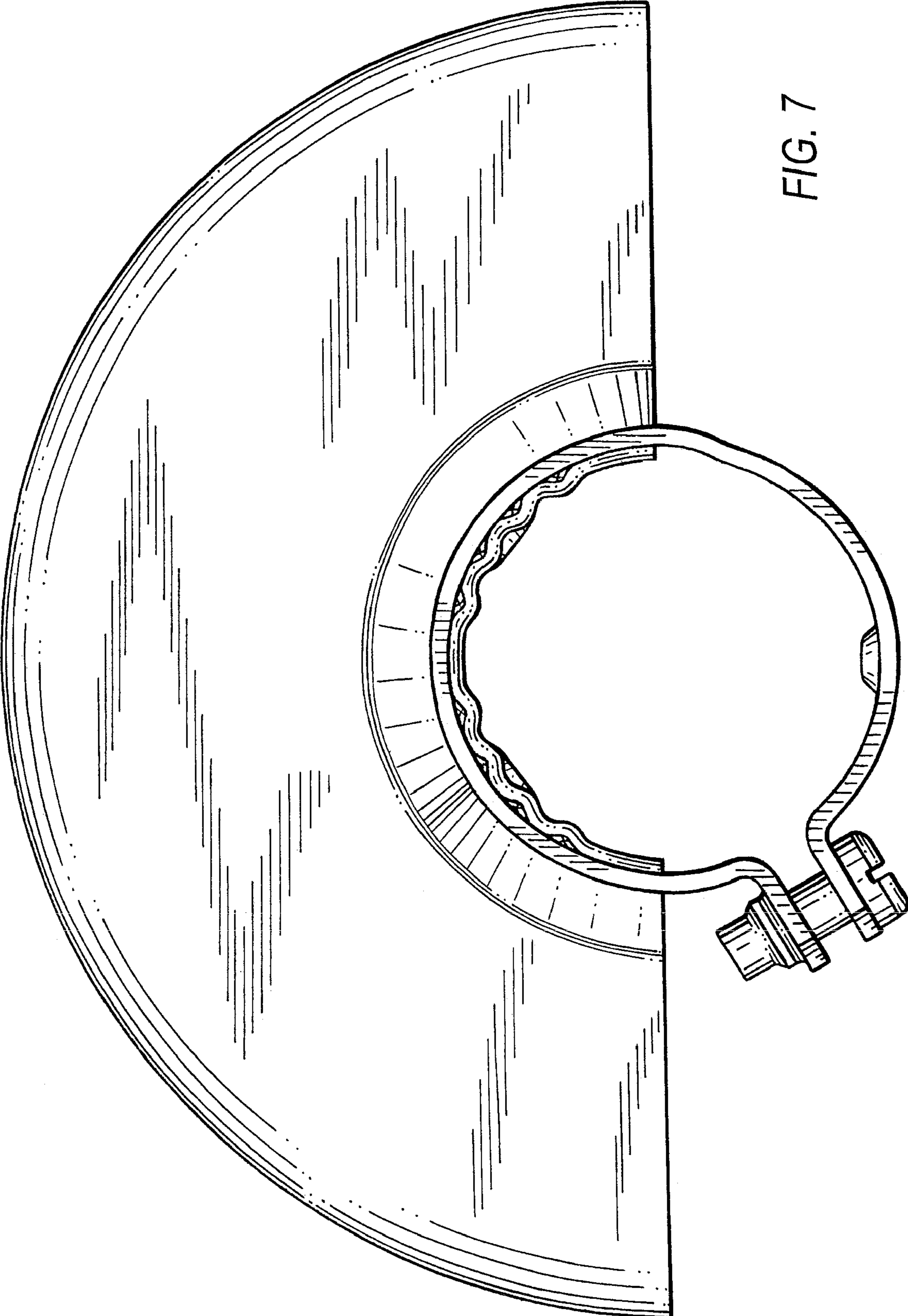


FIG. 7