

US00D553931S

(12) **United States Design Patent**
Buck

(10) **Patent No.:** **US D553,931 S**

(45) **Date of Patent:** **** Oct. 30, 2007**

(54) **NAILER**

(75) Inventor: **John E. Buck**, Cockeysville, MD (US)

(73) Assignee: **Black & Decker Inc.**, Newark, DE (US)

(**) Term: **14 Years**

(21) Appl. No.: **29/244,382**

(22) Filed: **Dec. 8, 2005**

(51) **LOC (8) Cl.** **08-05**

(52) **U.S. Cl.** **D8/68**

(58) **Field of Classification Search** 408/125,
408/234, 241 R, 20, 124; 451/358; 310/50;
227/8, 113, 114, 120, 130, 136, 142; D8/14.1,
D8/61, 62, 63, 64, 65, 66, 67, 68, 69, 70;
81/57.11, 429, 464, 465, 466, 469, 489; 173/13,
173/104, 114, 168, 169, 170, 171, 178, 201,
173/211, 213, 217

See application file for complete search history.

(56) **References Cited**

U.S. PATENT DOCUMENTS

- D260,354 S 8/1981 Cuccio
- D309,088 S 7/1990 Ogawa et al.
- D316,022 S * 4/1991 Moraht D8/69
- D323,964 S 2/1992 Uno
- D334,329 S 3/1993 Ichikawa
- D338,818 S * 8/1993 Katsuba D8/62
- D353,664 S 12/1994 Kaiser
- D379,912 S 6/1997 Oliver
- D387,259 S 12/1997 Braddock
- 5,720,422 A * 2/1998 Ichikawa et al. 227/120
- D403,938 S 1/1999 Matsuoka et al.
- D408,250 S 4/1999 Matsuoka et al.
- D416,182 S 11/1999 Kaiser
- D419,048 S 1/2000 Batts, Jr. et al.
- D424,902 S 5/2000 Zurwelle
- D435,205 S 12/2000 Etter et al.

- D435,206 S 12/2000 Etter et al.
- 6,189,759 B1 * 2/2001 Canlas et al. 227/120
- D459,184 S * 6/2002 Buck D8/69
- D459,185 S * 6/2002 Buck D8/69
- D477,760 S * 7/2003 Chang D8/68
- D477,762 S * 7/2003 Bor D8/68
- D478,490 S * 8/2003 Wu D8/68
- D479,110 S * 9/2003 Nolan et al. D8/68
- D483,240 S 12/2003 Burke
- D484,383 S 12/2003 Yang
- D484,765 S 1/2004 Yang
- D486,712 S 2/2004 Yao
- D498,127 S * 11/2004 Leasure D8/68
- D499,321 S * 12/2004 Buck et al. D8/68
- D500,655 S 1/2005 Leasure
- D501,383 S 2/2005 Fang
- 6,896,165 B1 * 5/2005 Wang 227/136
- D512,291 S 12/2005 Brazell
- D512,620 S 12/2005 Brazell

(Continued)

FOREIGN PATENT DOCUMENTS

GB 3001056 S * 1/2002

Primary Examiner—T. Chase Nelson

(74) *Attorney, Agent, or Firm*—Scott B. Markow

(57) **CLAIM**

The ornamental design for a nailer, as shown and described.

DESCRIPTION

FIG. 1 is a left/front perspective view of the nailer.

FIG. 2 is a front elevational view thereof.

FIG. 3 is a rear elevational view thereof.

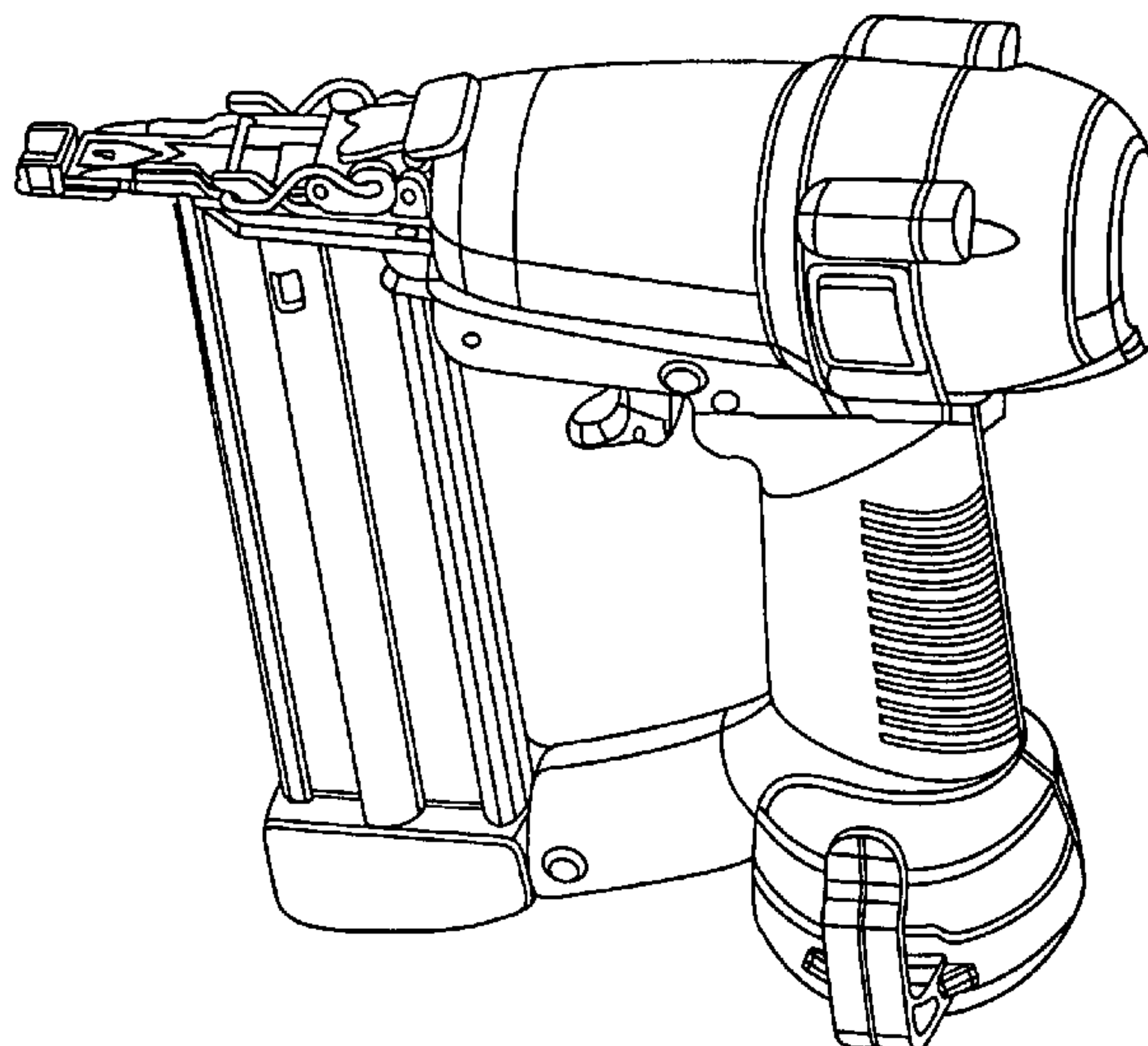
FIG. 4 is a left elevational view thereof.

FIG. 5 is a right elevational view thereof.

FIG. 6 is a top plan view thereof; and,

FIG. 7 is a bottom plan view thereof.

1 Claim, 7 Drawing Sheets



US D553,931 S

Page 2

U.S. PATENT DOCUMENTS

D512,621 S	*	12/2005	Thomas et al.	D8/69	D519,809 S	5/2006	Ishizawa		
D512,622 S	*	12/2005	Thomas	D8/69	D521,837 S	5/2006	Zhang		
D514,412 S	*	2/2006	Lawrence et al.	D8/68	D524,137 S	7/2006	Oono		
D516,400 S	*	3/2006	Yang	D8/69	2001/0006183	A1*	7/2001	Mukoyama et al. 227/8	
D517,886 S	*	3/2006	Thomas et al.	D8/69	2005/0205638	A1*	9/2005	Wang	227/8
D518,698 S		4/2006	Brazell		2006/0000863	A1*	1/2006	McGee et al.	227/8
					2006/0108391	A1*	5/2006	Leasure	227/120

* cited by examiner

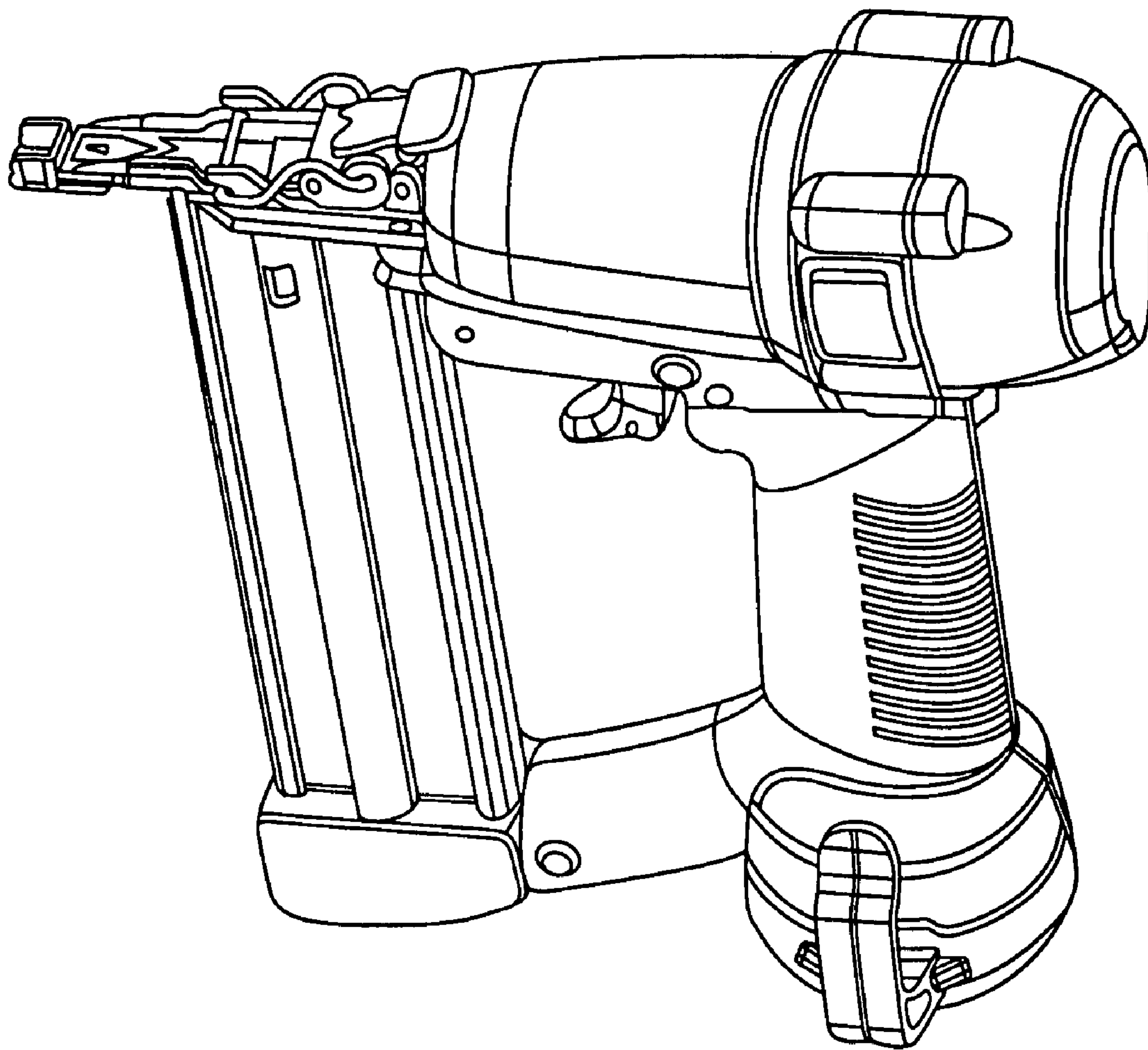


FIG. 1

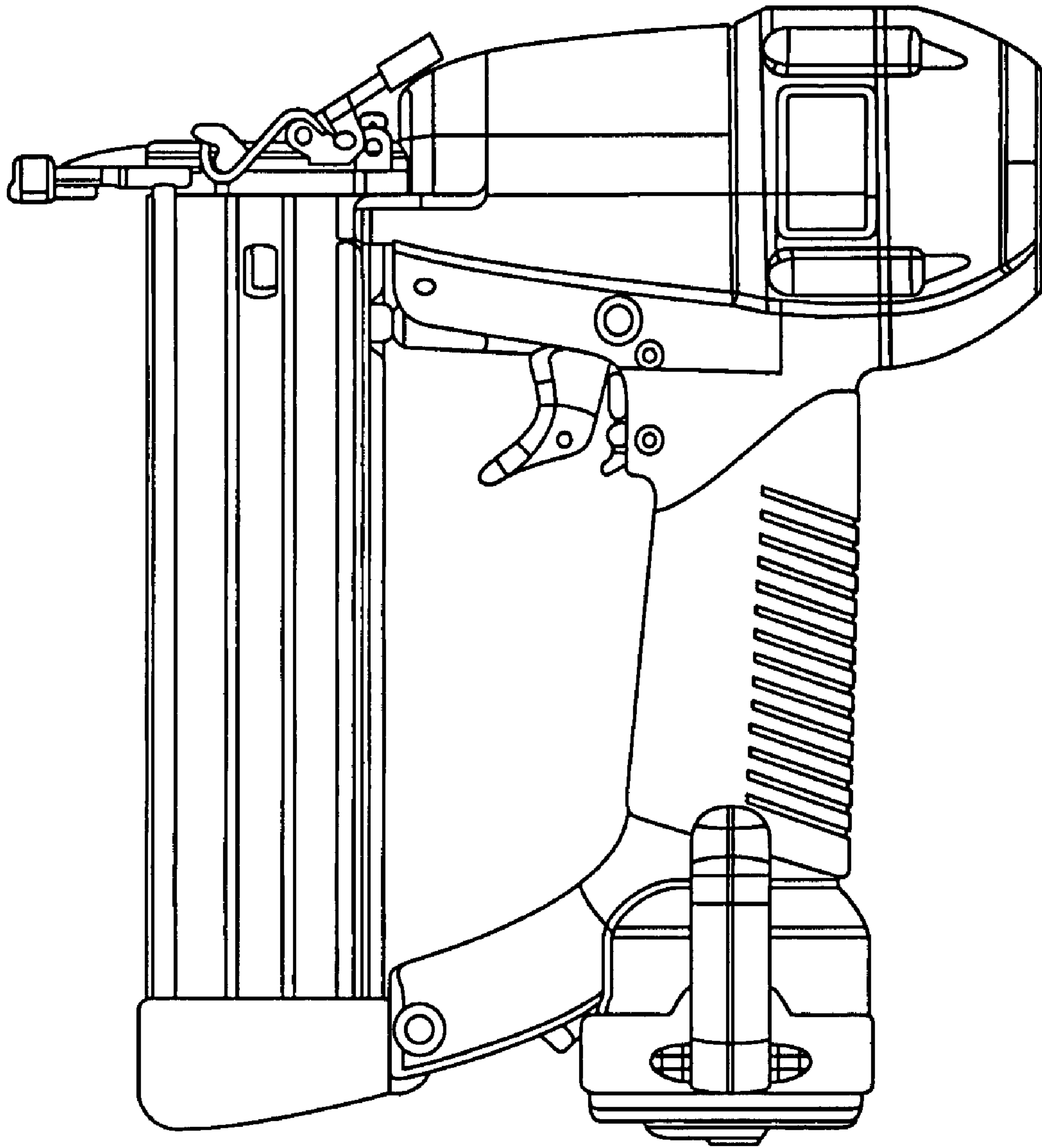


FIG. 2

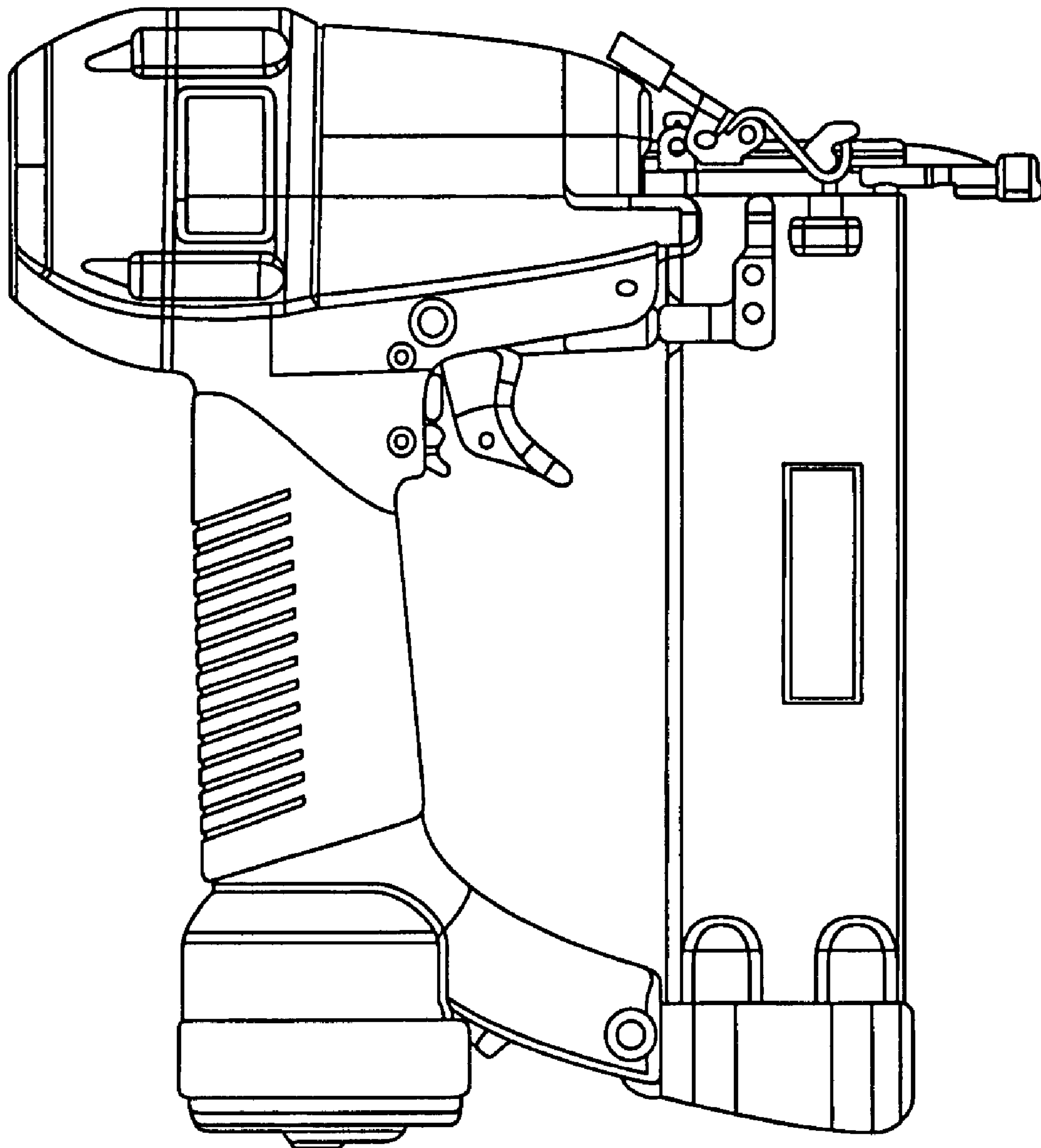


FIG. 3

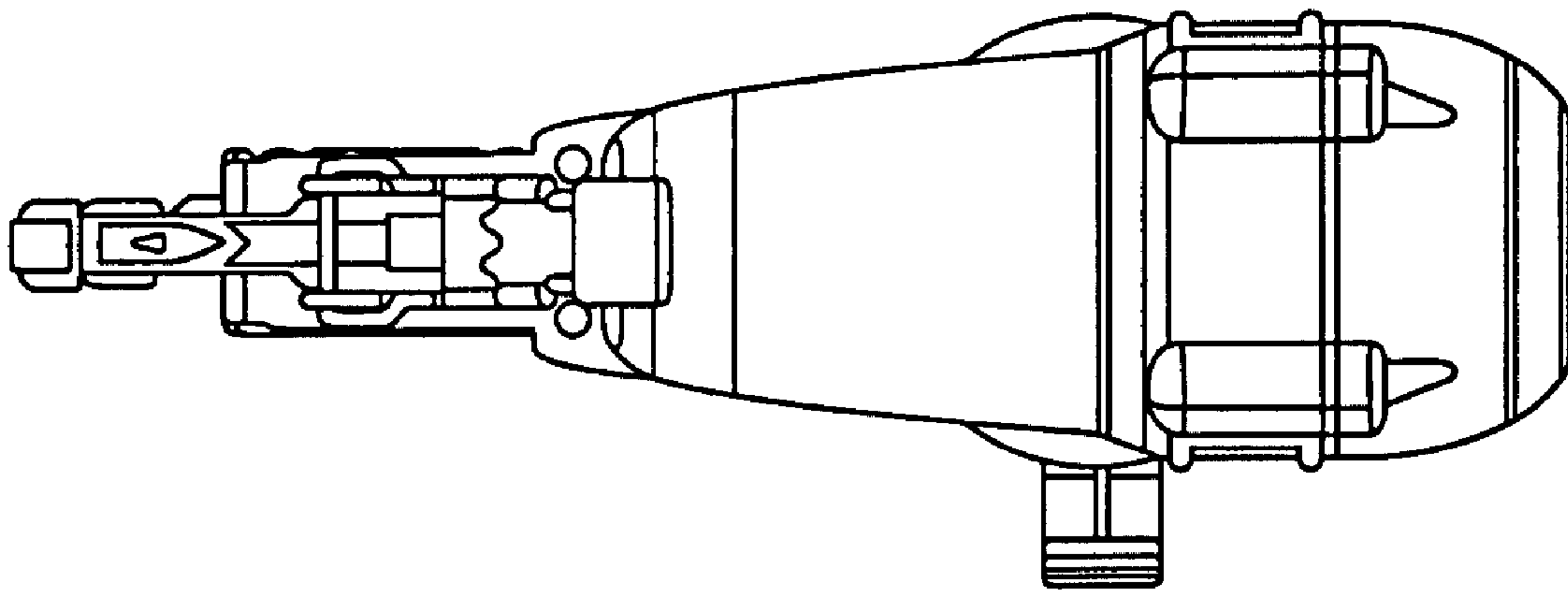


FIG. 4

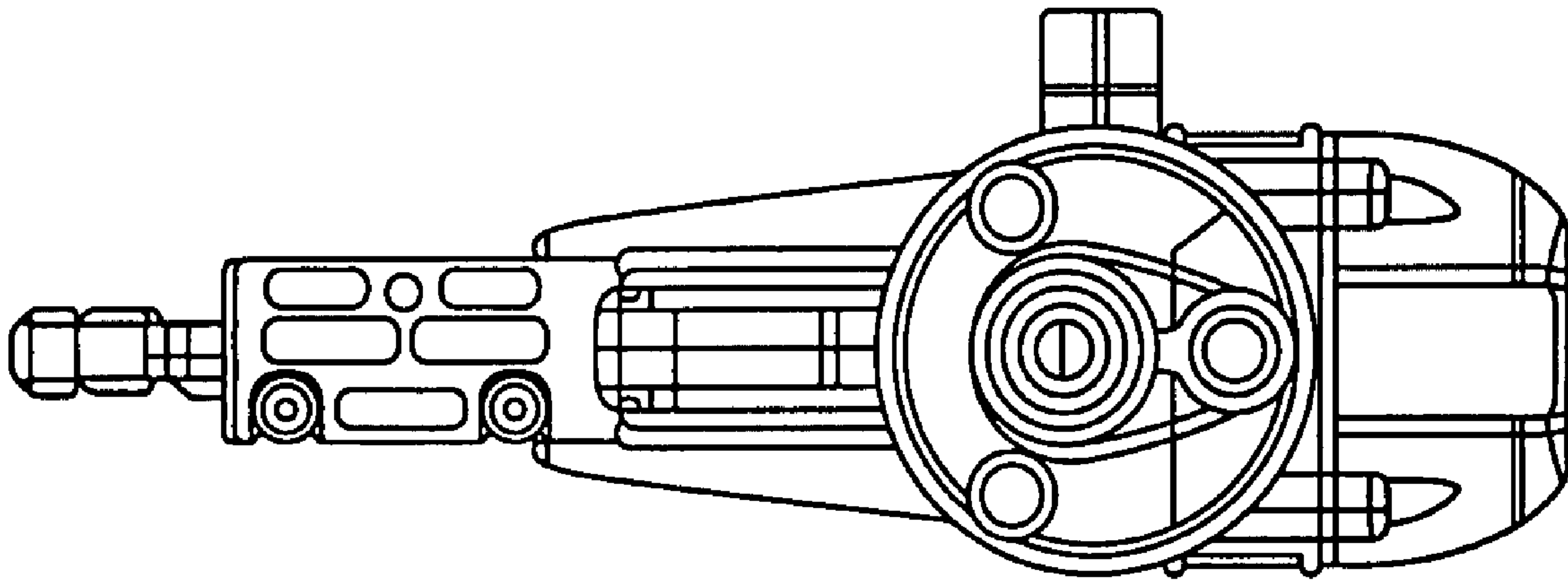


FIG. 5

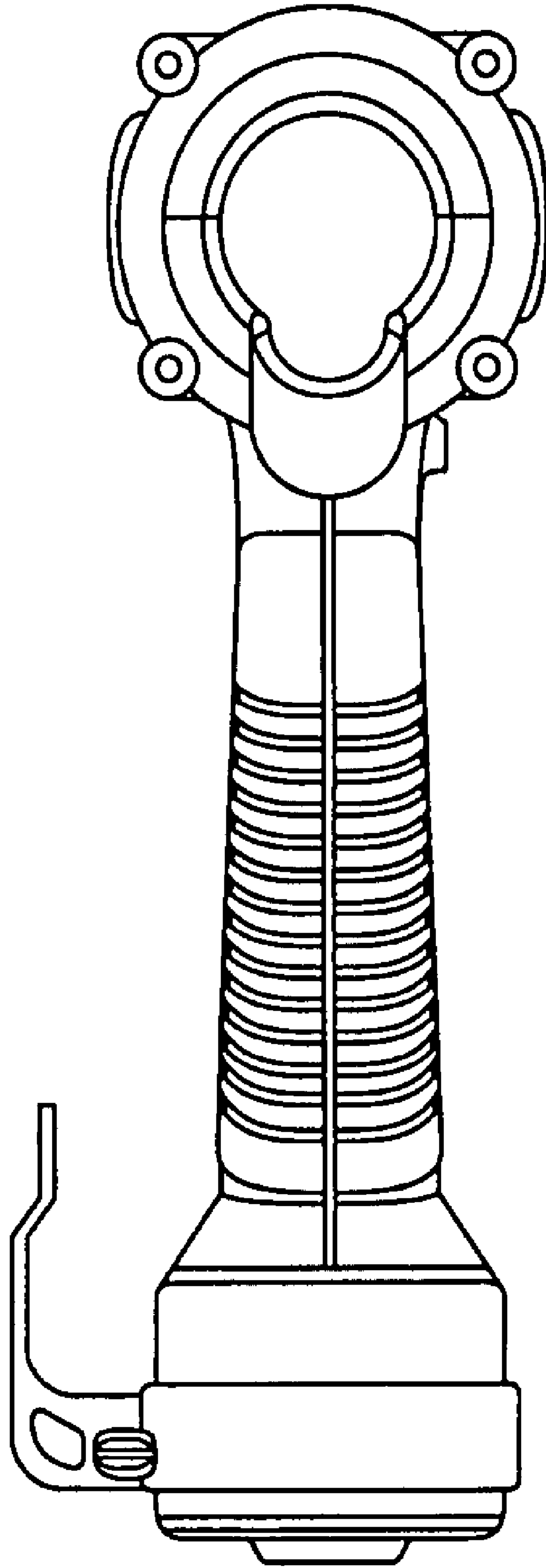


FIG. 6

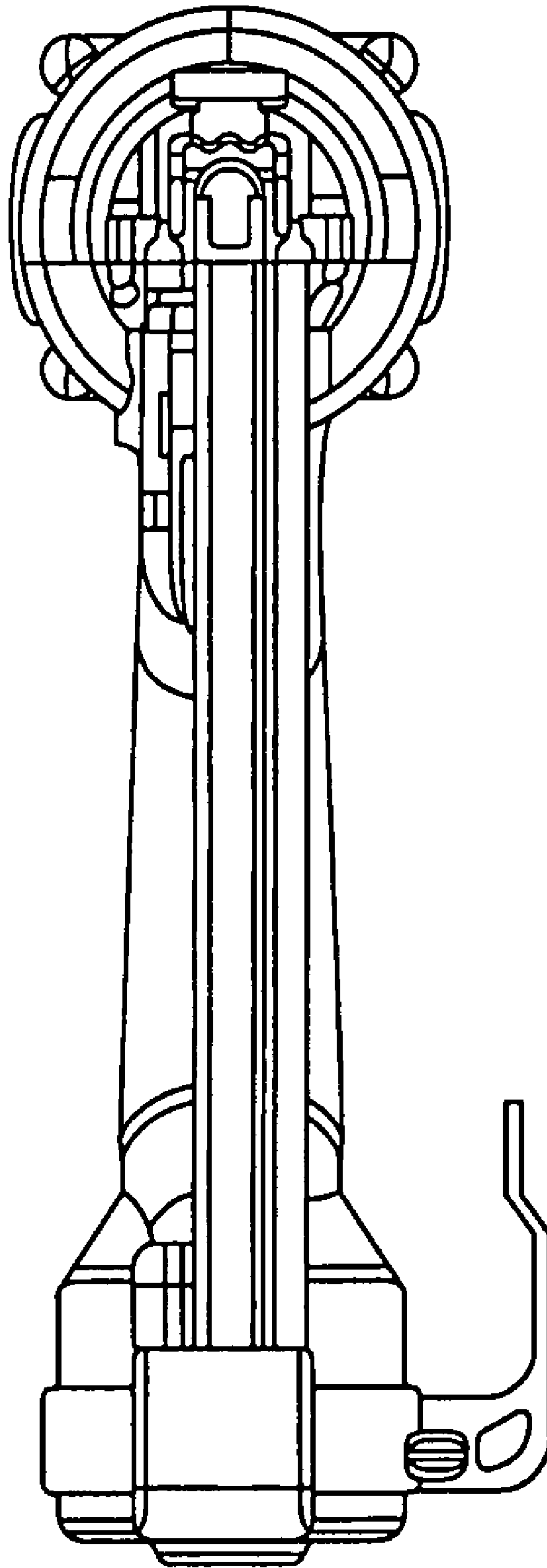


FIG. 7