



US00D553930S

(12) **United States Design Patent**
Robson

(10) **Patent No.:** **US D553,930 S**

(45) **Date of Patent:** **** Oct. 30, 2007**

(54) **ROUTER**

(75) Inventor: **Nigel Robson**, Gateshead (GB)

(73) Assignee: **Black & Decker Inc.**, Newark, DE (US)

(**) Term: **14 Years**

(21) Appl. No.: **29/245,426**

(22) Filed: **Dec. 22, 2005**

(30) **Foreign Application Priority Data**

Jun. 22, 2005 (GB) 3021655

(51) **LOC (8) Cl.** **08-01**

(52) **U.S. Cl.** **D8/67**

(58) **Field of Classification Search** D8/61,
D8/67, 70, 107; 409/182, 180, 134, 132,
409/131; 144/48.6, 252.1, 154.5, 136.95

See application file for complete search history.

(56) **References Cited**

U.S. PATENT DOCUMENTS

- 3,466,973 A * 9/1969 Rees 409/182
- 5,176,479 A * 1/1993 McCracken 409/182
- 5,191,921 A * 3/1993 McCurry 144/154.5
- D349,637 S * 8/1994 Hoshino et al. D8/67
- 5,353,852 A * 10/1994 Stolzer et al. 144/154.5
- D416,460 S * 11/1999 Bosten et al. D8/67
- 6,024,144 A * 2/2000 Qian 144/252.1
- 6,182,723 B1 * 2/2001 Bosten et al. 144/154.5
- 6,244,797 B1 * 6/2001 Wheeler 409/182
- D444,364 S * 7/2001 Evans D8/67
- D470,377 S * 2/2003 Lopano D8/67

- 6,896,451 B2 * 5/2005 Oberheim 409/131
- D510,246 S * 10/2005 Waldron D8/67
- D511,078 S * 11/2005 Baumgaertner D8/67
- D511,079 S * 11/2005 Ozawa et al. D8/67
- D531,870 S * 11/2006 Andriolo D8/67
- 2003/0188441 A1 * 10/2003 Patton 30/381
- 2004/0035495 A1 * 2/2004 Hessenberger et al. 144/136.95
- 2005/0006000 A1 * 1/2005 Freese et al. 144/136.95
- 2005/0189039 A1 * 9/2005 McDonald et al. 144/136.95
- 2006/0102248 A1 * 5/2006 Cooper et al. 144/136.95

* cited by examiner

Primary Examiner—Cathron C. Brooks

Assistant Examiner—Austin Murphy

(74) *Attorney, Agent, or Firm*—Wesley W. Muller; Bruce Shapiro

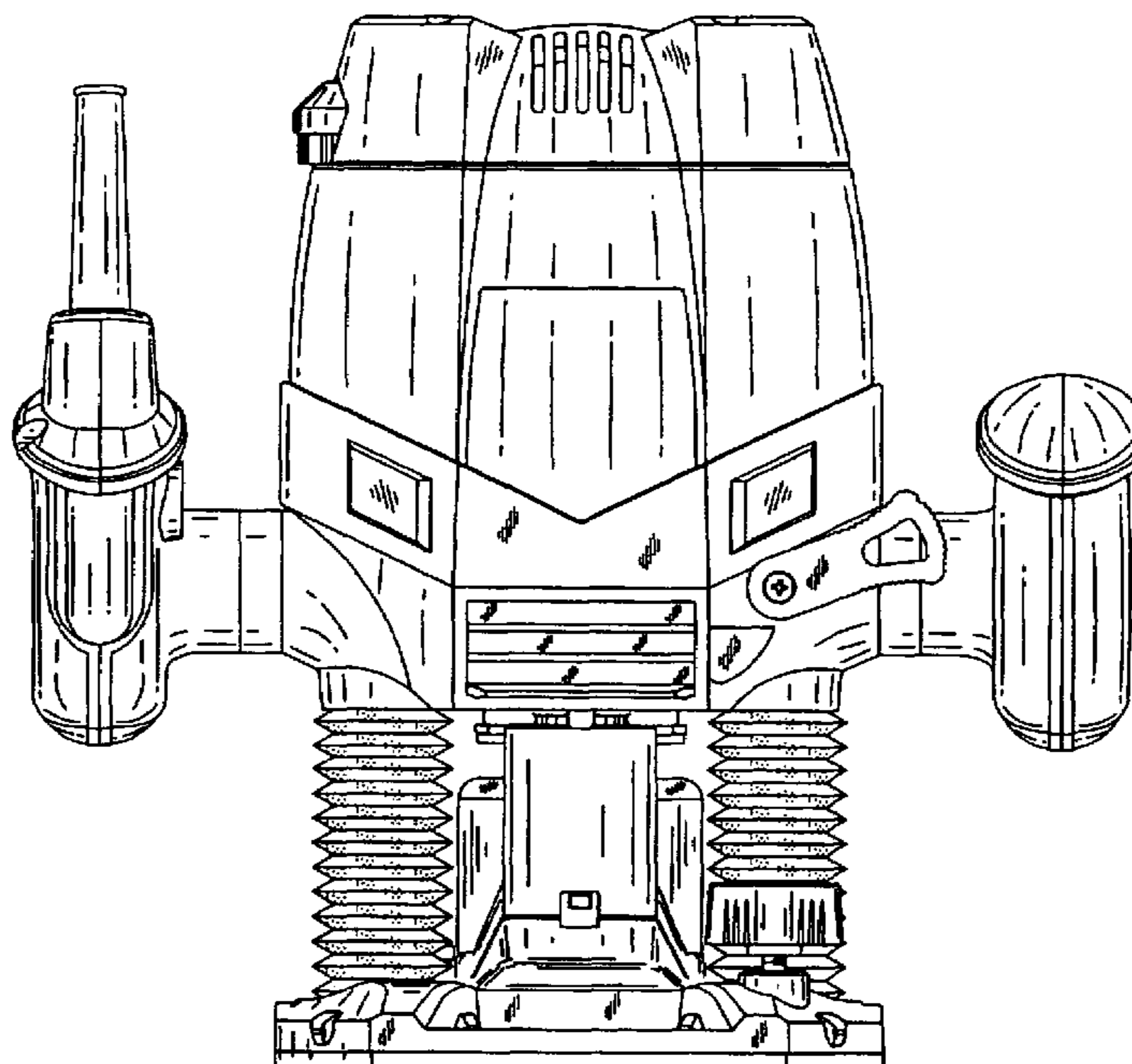
(57) **CLAIM**

The ornamental design for a router, as shown and described.

DESCRIPTION

- FIG. 1 is a front view thereof.
- FIG. 2 right side view thereof;
- FIG. 3 is a rear view thereof.
- FIG. 4 left side view thereof;
- FIG. 5 bottom plan view thereof;
- FIG. 6 top plan view thereof;
- FIG. 7 front perspective thereof;
- FIG. 8 rear perspective thereof; and,
- FIG. 9 side perspective thereof.

1 Claim, 8 Drawing Sheets



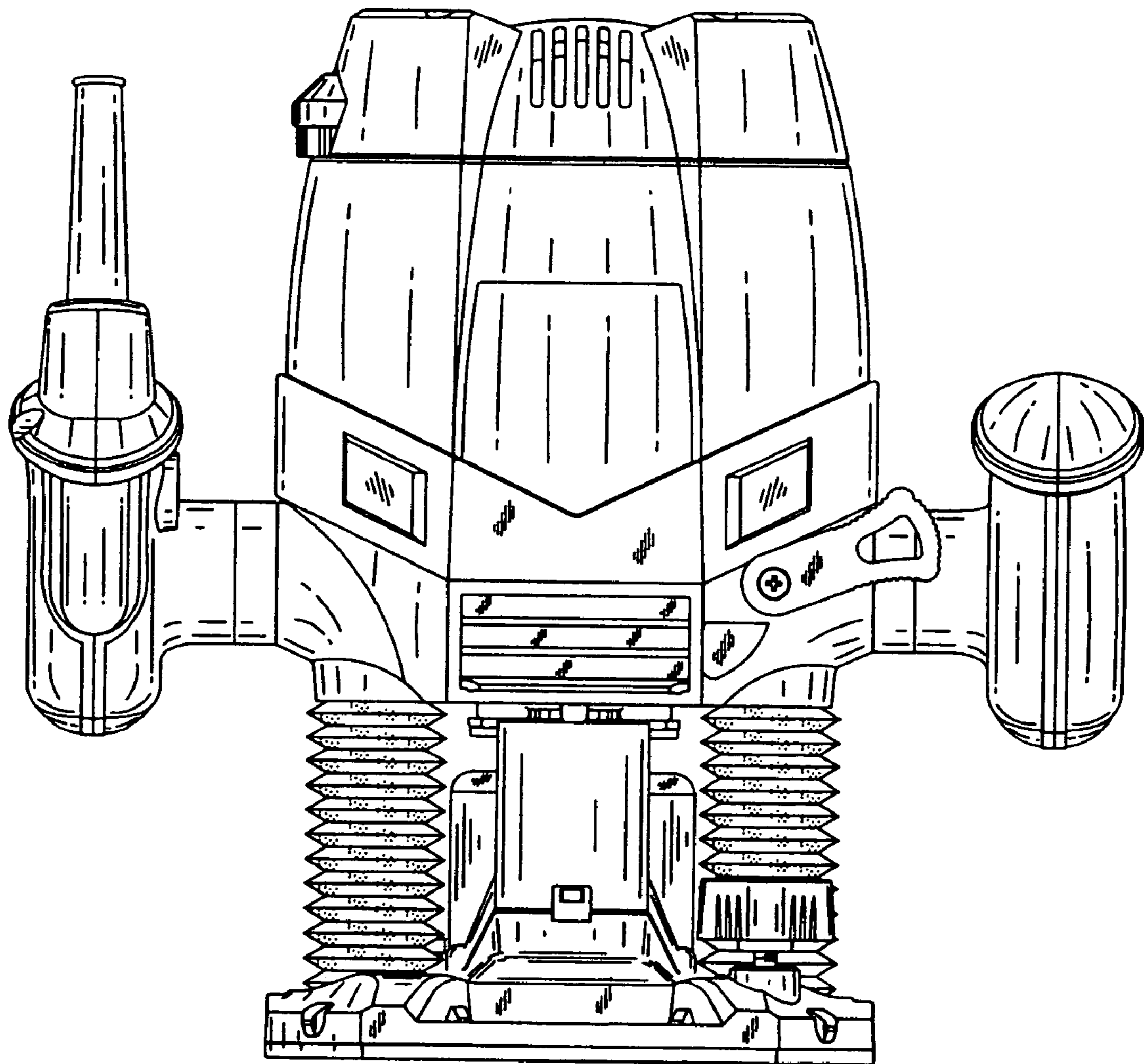


FIG.1

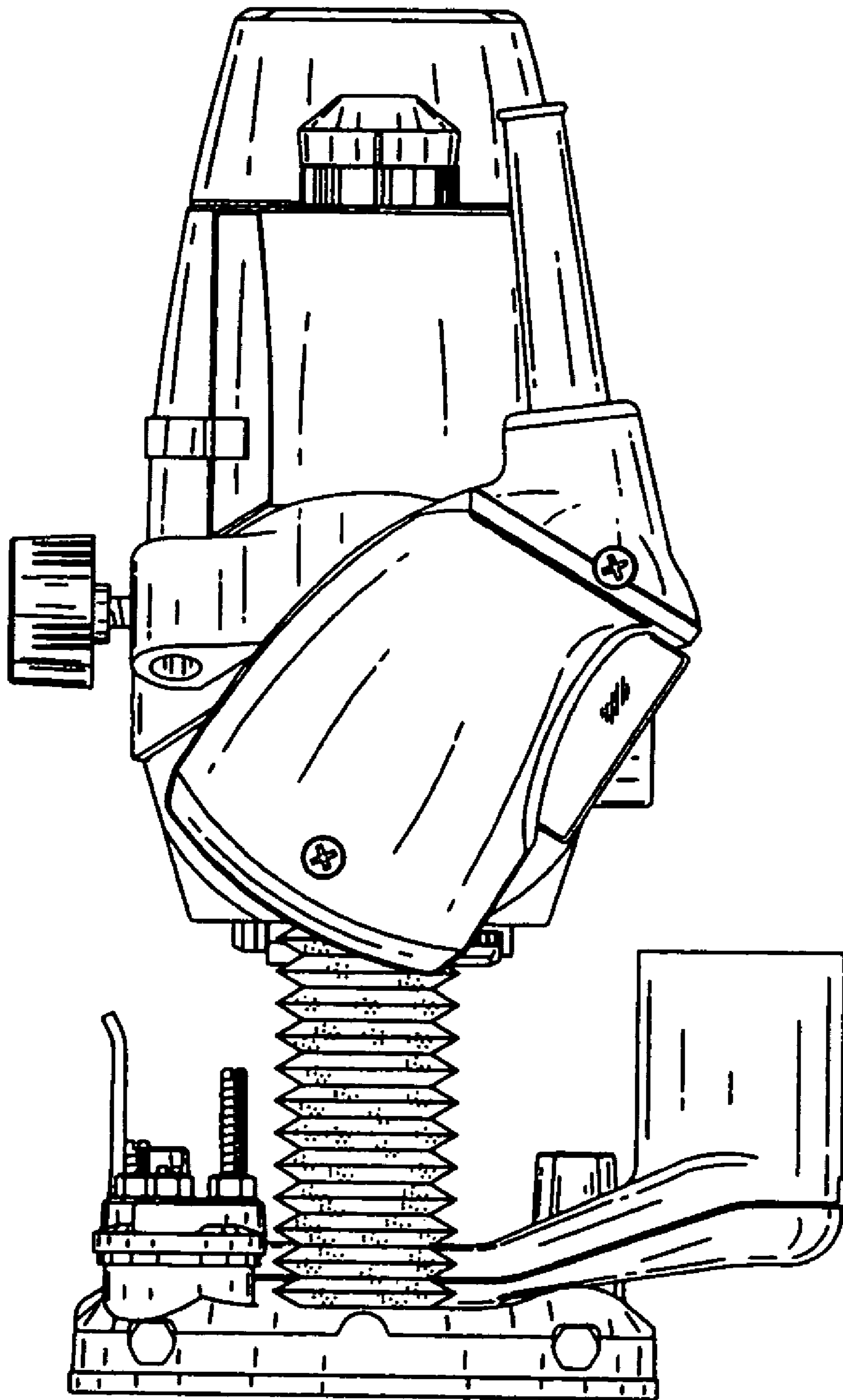


FIG.2

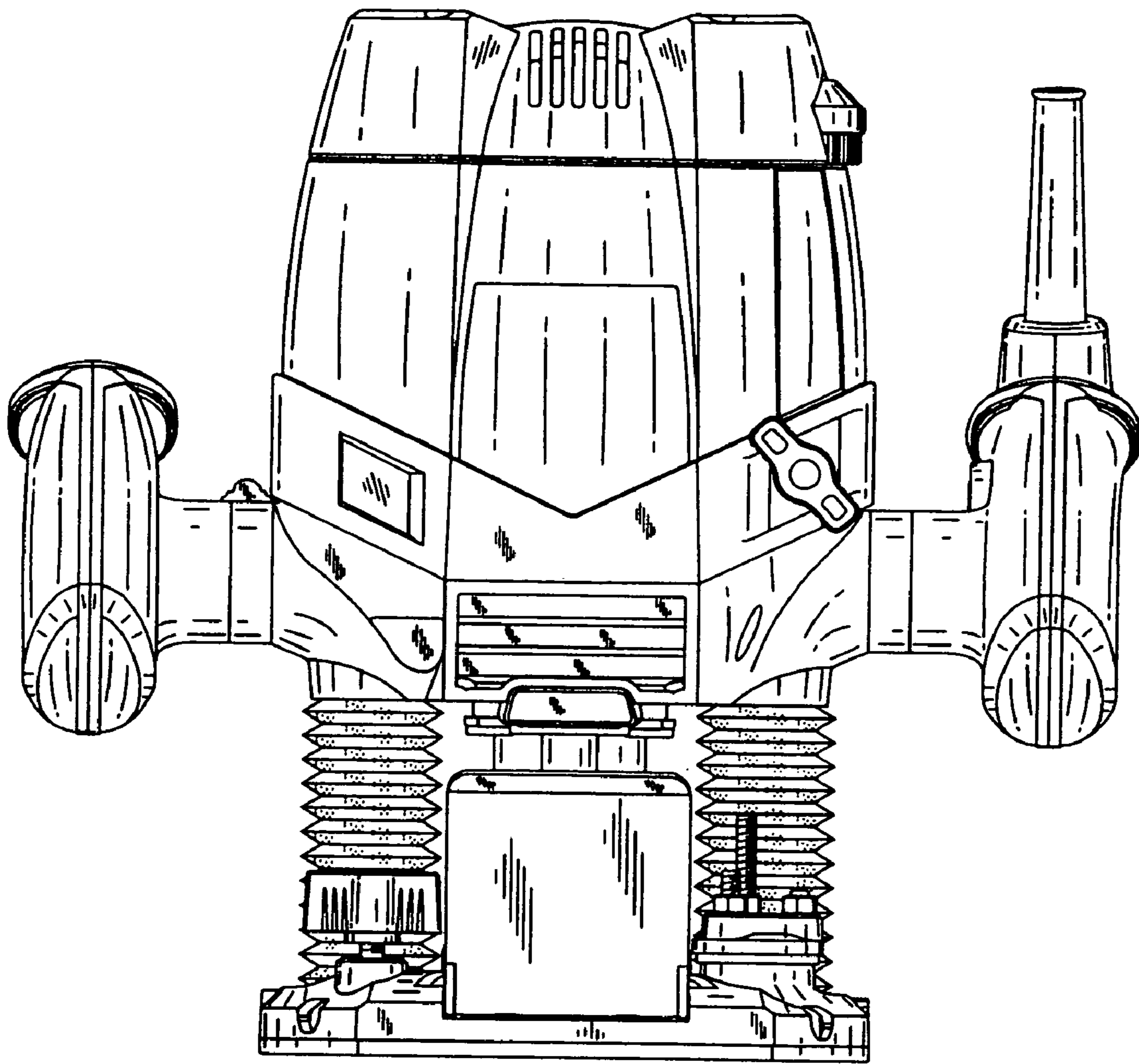


FIG.3

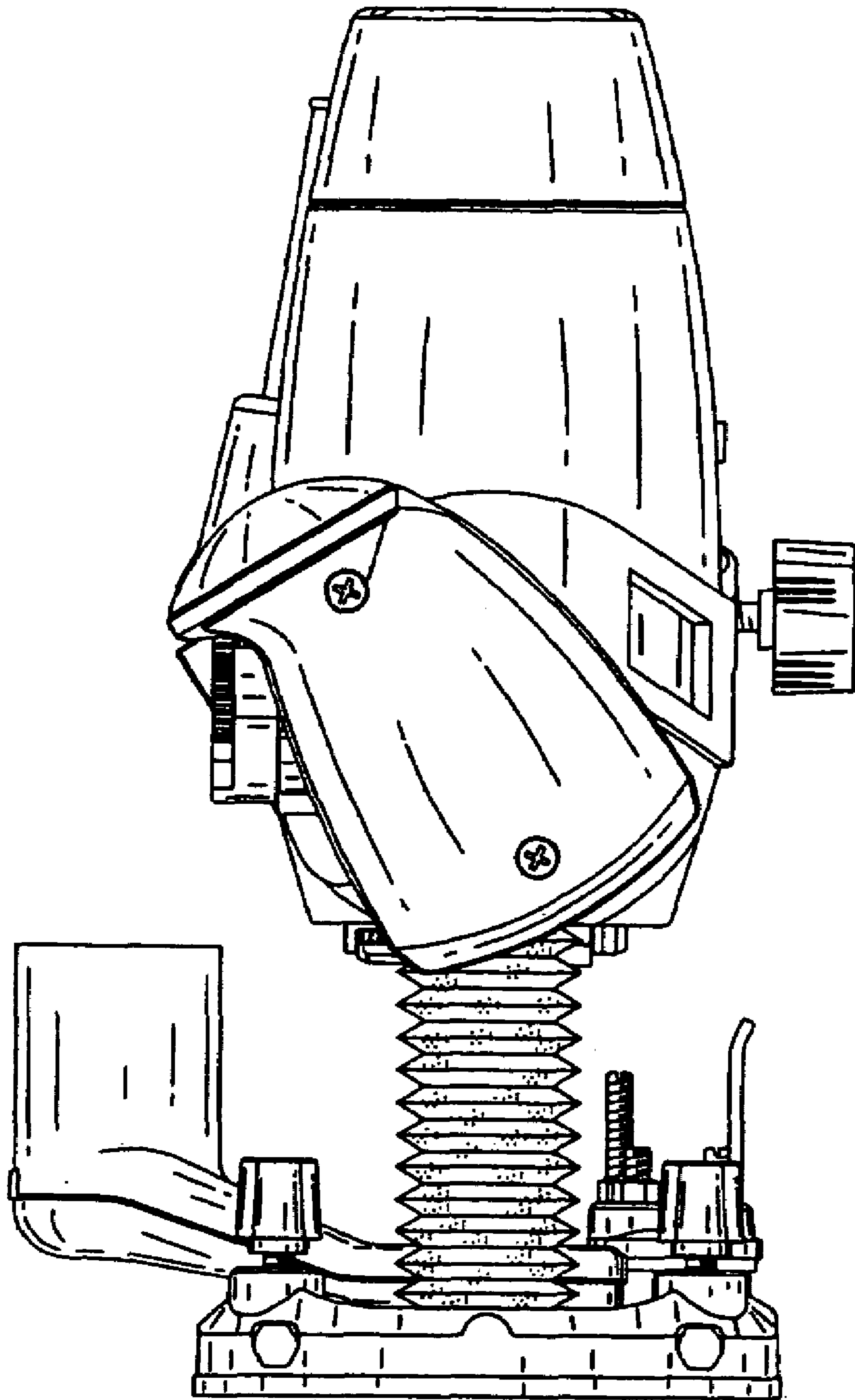


FIG. 4

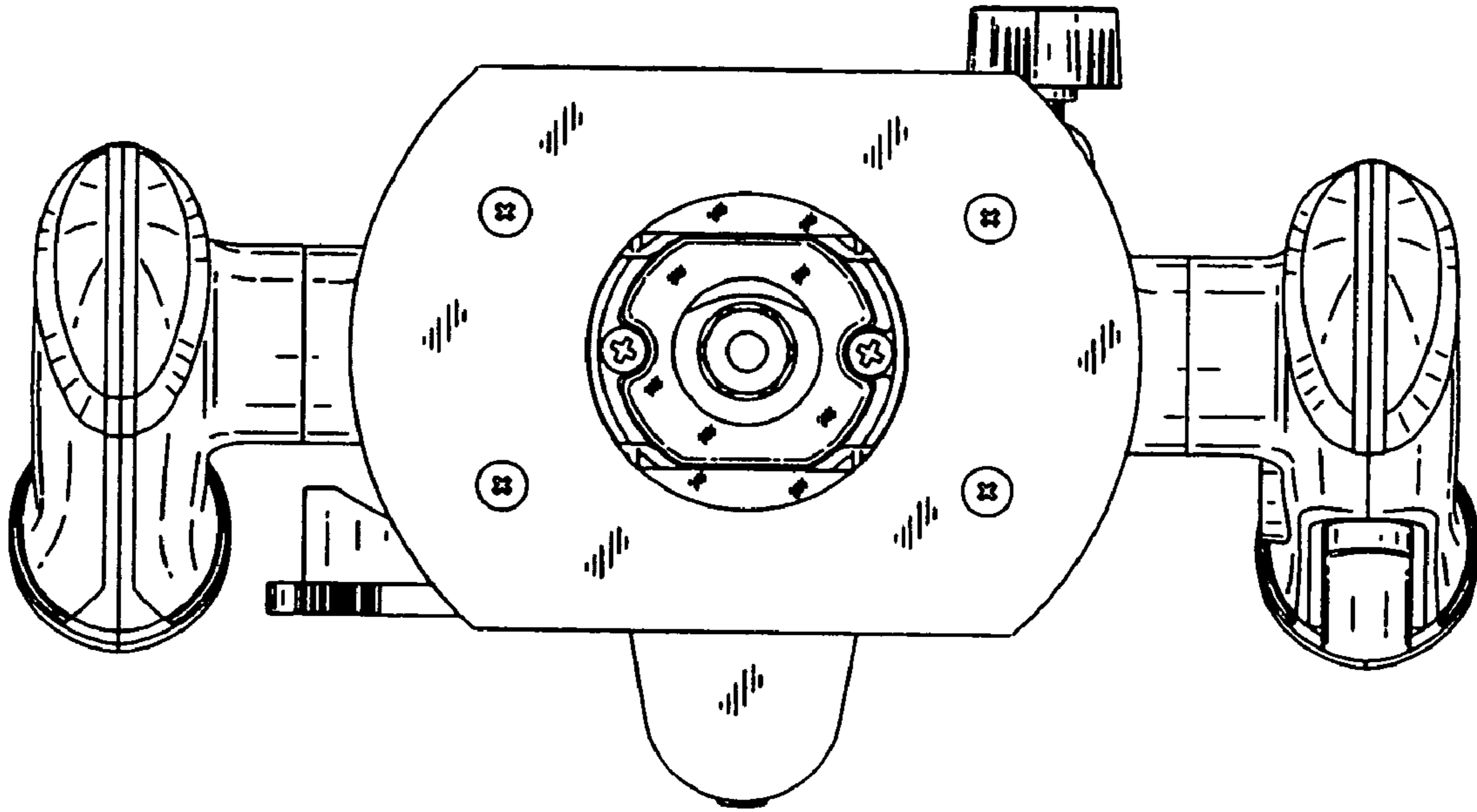


FIG.5

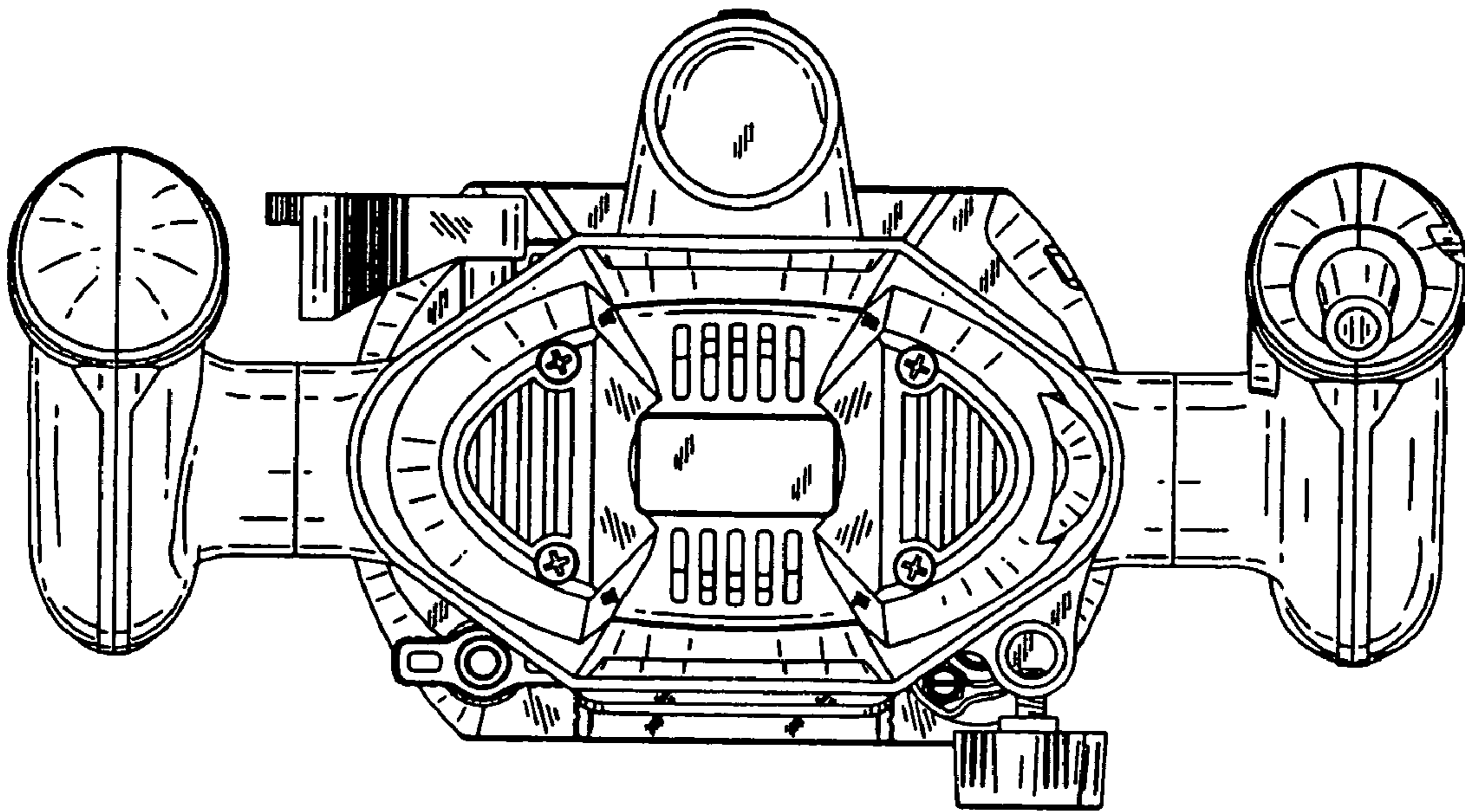


FIG.6

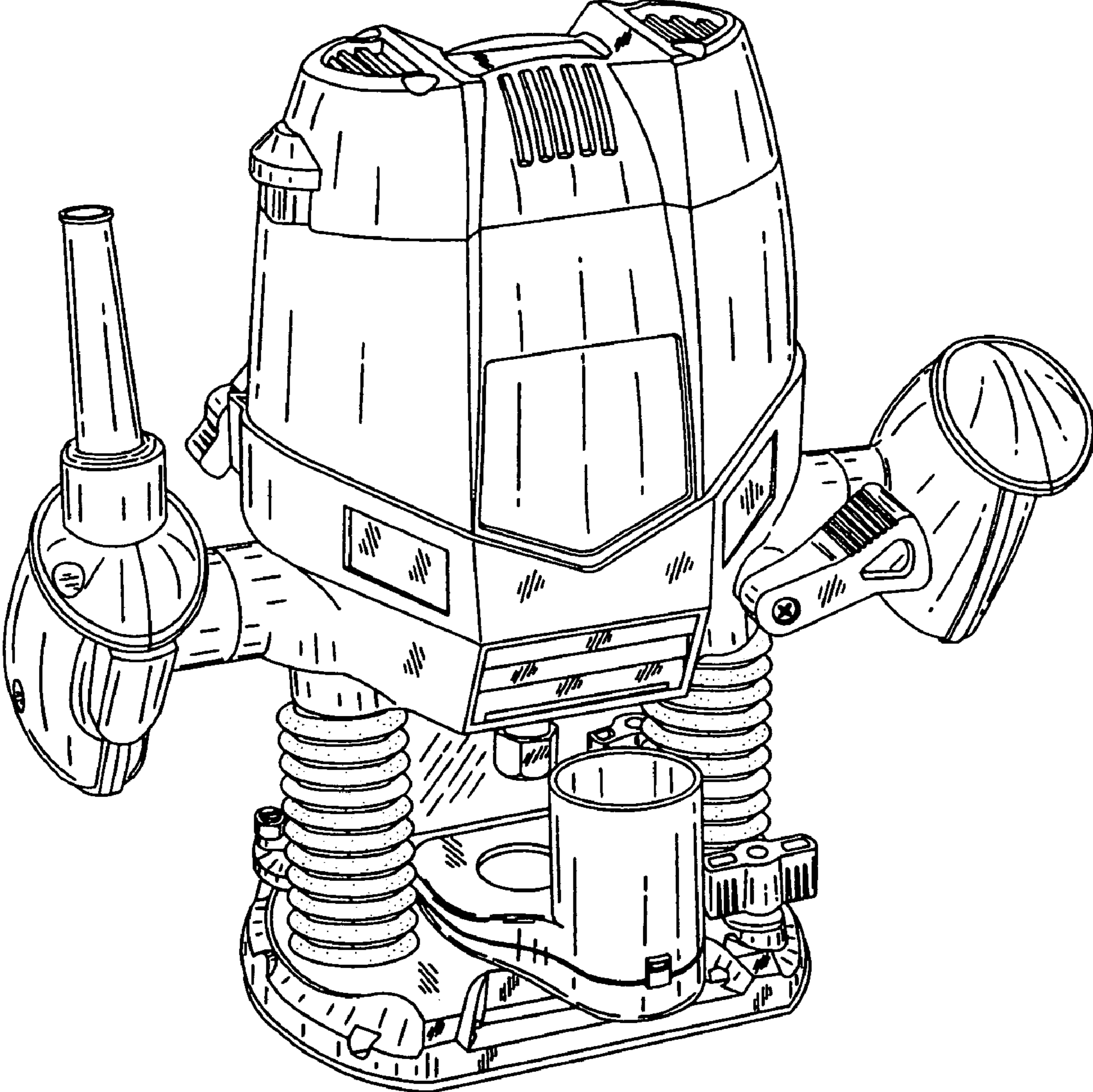


FIG.7

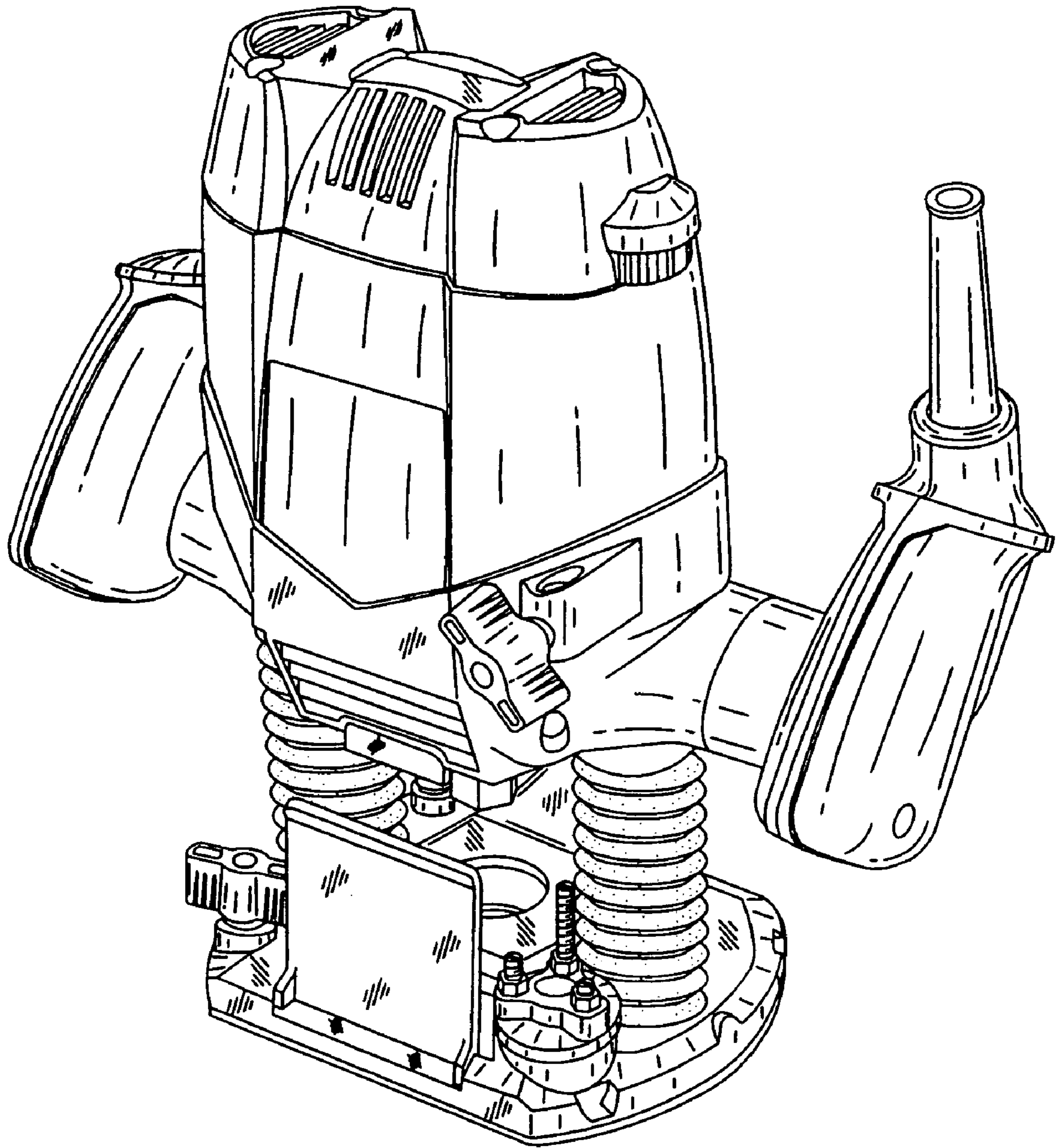


FIG.8

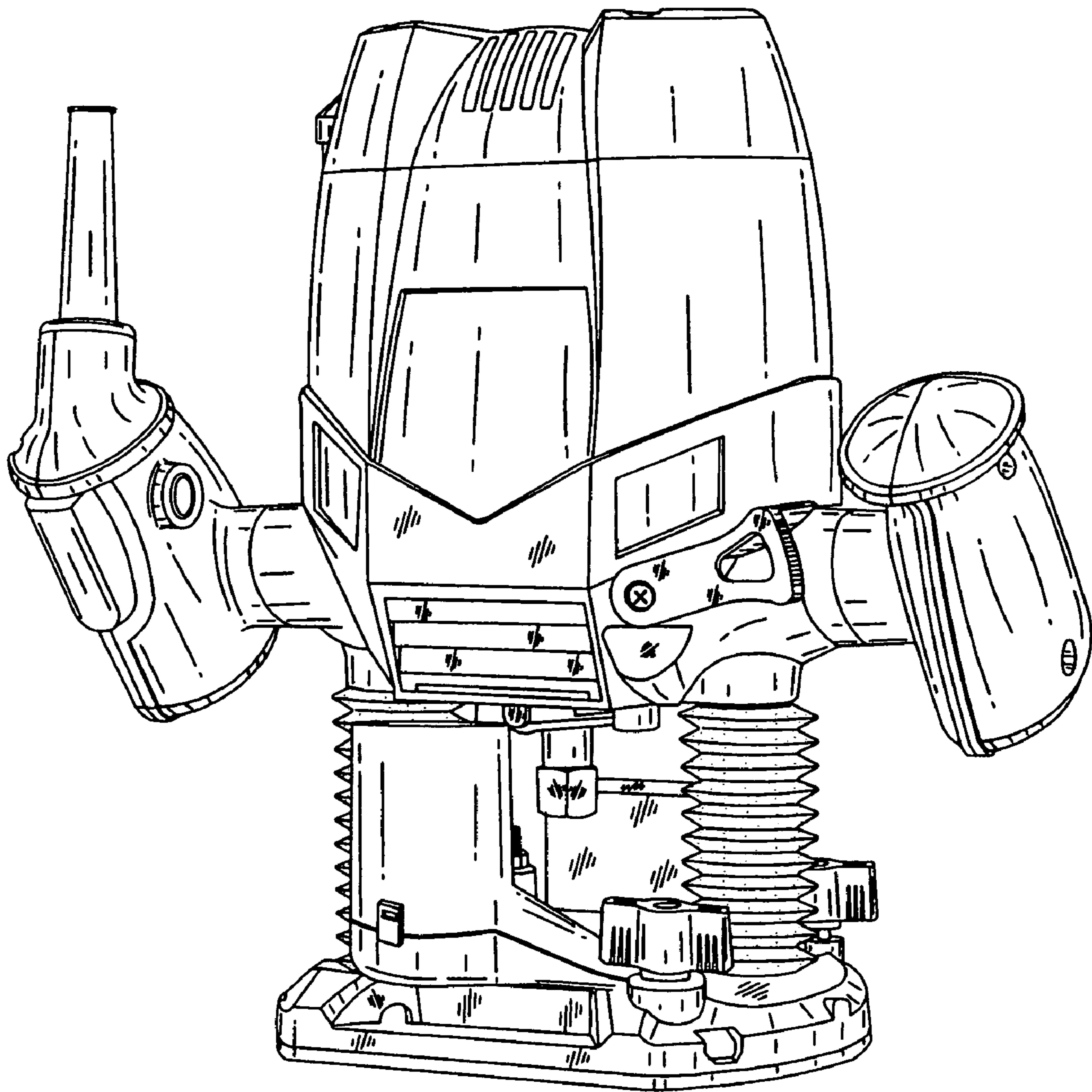


FIG. 9