



US00D553929S

(12) **United States Design Patent**
Chen

(10) **Patent No.:** **US D553,929 S**

(45) **Date of Patent:** **** Oct. 30, 2007**

(54) **PNEUMATIC GRINDER**

(75) **Inventor:** **Lung-Pao Chen**, Hsinchu County (TW)

(73) **Assignee:** **Sunmatch Industrial Co., Ltd.**,
Zhubei, Hsinchu County (TW)

(**) **Term:** **14 Years**

(21) **Appl. No.:** **29/274,138**

(22) **Filed:** **Mar. 30, 2007**

(51) **LOC (8) Cl.** **08-01**

(52) **U.S. Cl.** **D8/62; D8/61**

(58) **Field of Classification Search** D8/69,
D8/67, 62, 61; 451/359, 358, 357, 356, 354,
451/353, 351, 344, 294; 173/168

See application file for complete search history.

(56) **References Cited**

U.S. PATENT DOCUMENTS

D332,560	S	*	1/1993	Mikiya	D8/62
D411,424	S	*	6/1999	Saito	D8/62
D447,029	S	*	8/2001	Sun et al.	D8/61
D465,395	S	*	11/2002	Hung	D8/61
D492,176	S	*	6/2004	Chen	D8/61
D521,334	S	*	5/2006	Chen	D8/62
D521,832	S	*	5/2006	Chen	D8/62
D522,333	S	*	6/2006	Chen	D8/62
D523,716	S	*	6/2006	Chen	D8/62
D525,498	S	*	7/2006	Chen	D8/61
D525,501	S	*	7/2006	Chen	D8/61
D525,502	S	*	7/2006	Chen	D8/61

7,115,028	B1	*	10/2006	Chen	451/360
D534,777	S	*	1/2007	Miller	D8/61
2006/0240752	A1	*	10/2006	Chen	451/360
2007/0056758	A1	*	3/2007	Chen	173/169
2007/0117499	A1	*	5/2007	Chen	451/451

* cited by examiner

Primary Examiner—Cathron C. Brooks

Assistant Examiner—Austin Murphy

(74) *Attorney, Agent, or Firm*—Birch, Stewart, Kolasch & Birch, LLP

(57) **CLAIM**

The ornamental design for “a pneumatic grinder,” as shown and described.

DESCRIPTION

FIG. 1 is a perspective view of “a pneumatic grinder” showing my new design thereof;

FIG. 2 is a right side elevational view thereof;

FIG. 3 is a top plan view thereof;

FIG. 4 is a front side elevational view thereof;

FIG. 5 is a bottom plan view thereof;

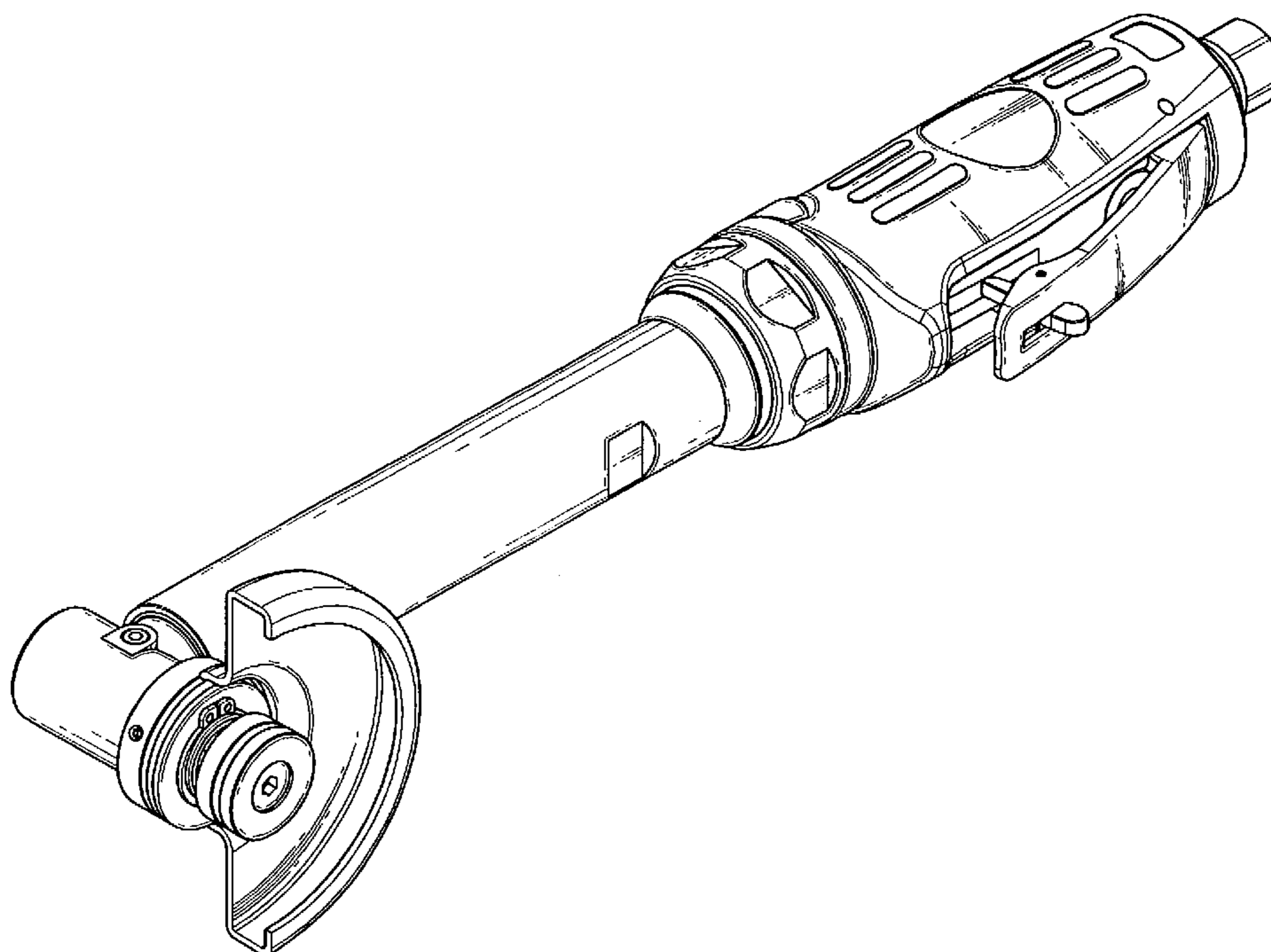
FIG. 6 is a left side elevational view thereof;

FIG. 7 is a rear side elevational view thereof; and,

FIG. 8 is a perspective view in use.

The broken lines shown in the drawings form no part of the claimed design.

1 Claim, 8 Drawing Sheets



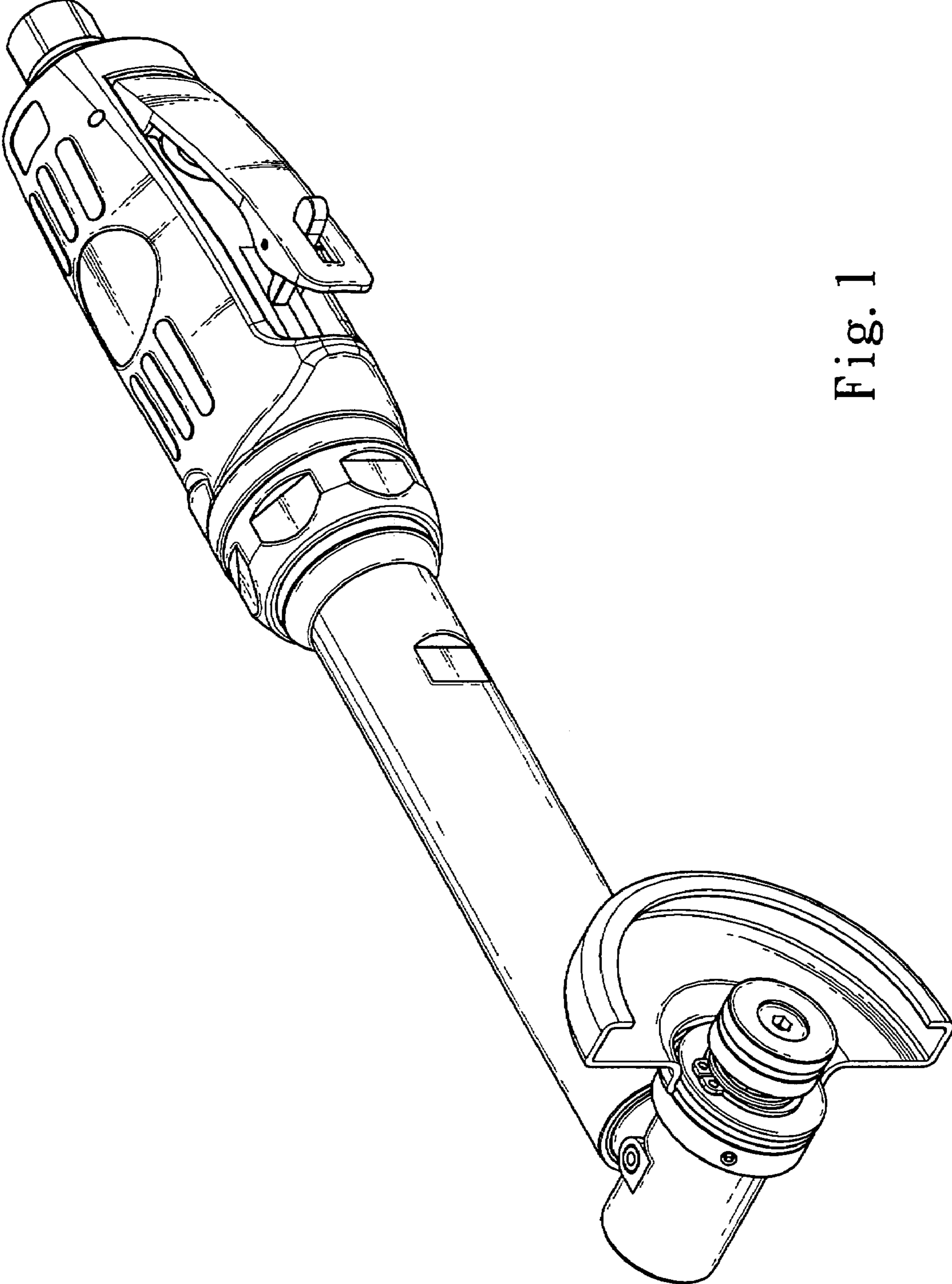


Fig. 1

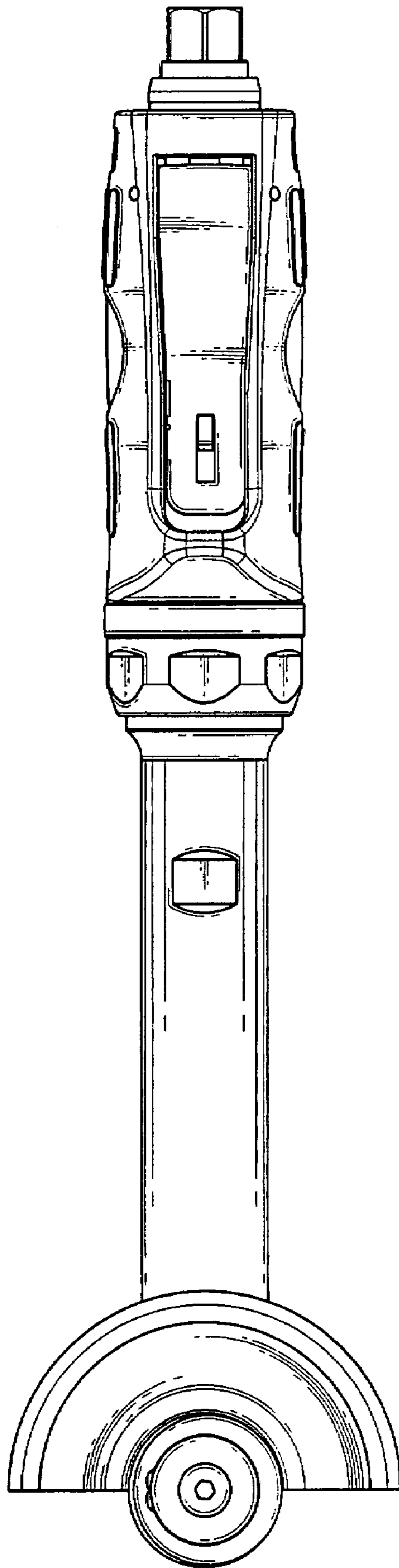


Fig. 2

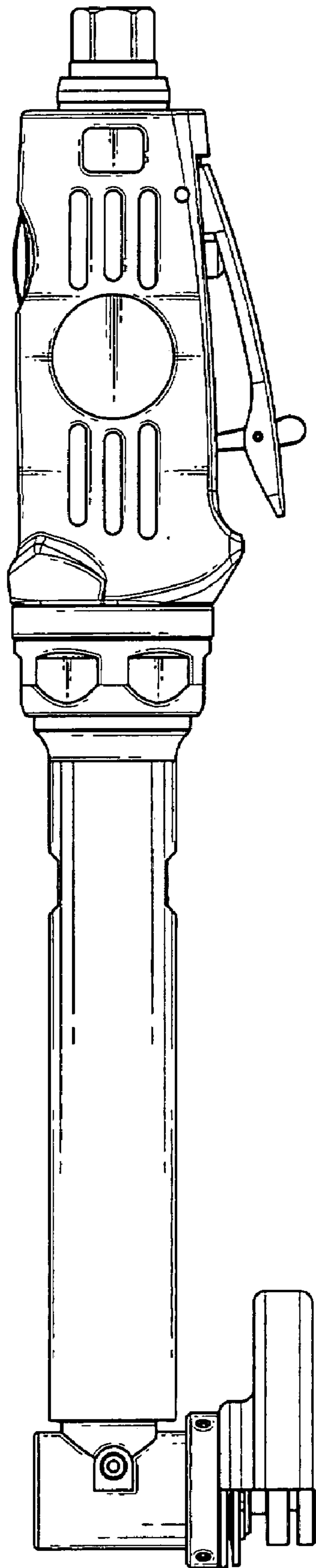


Fig. 3

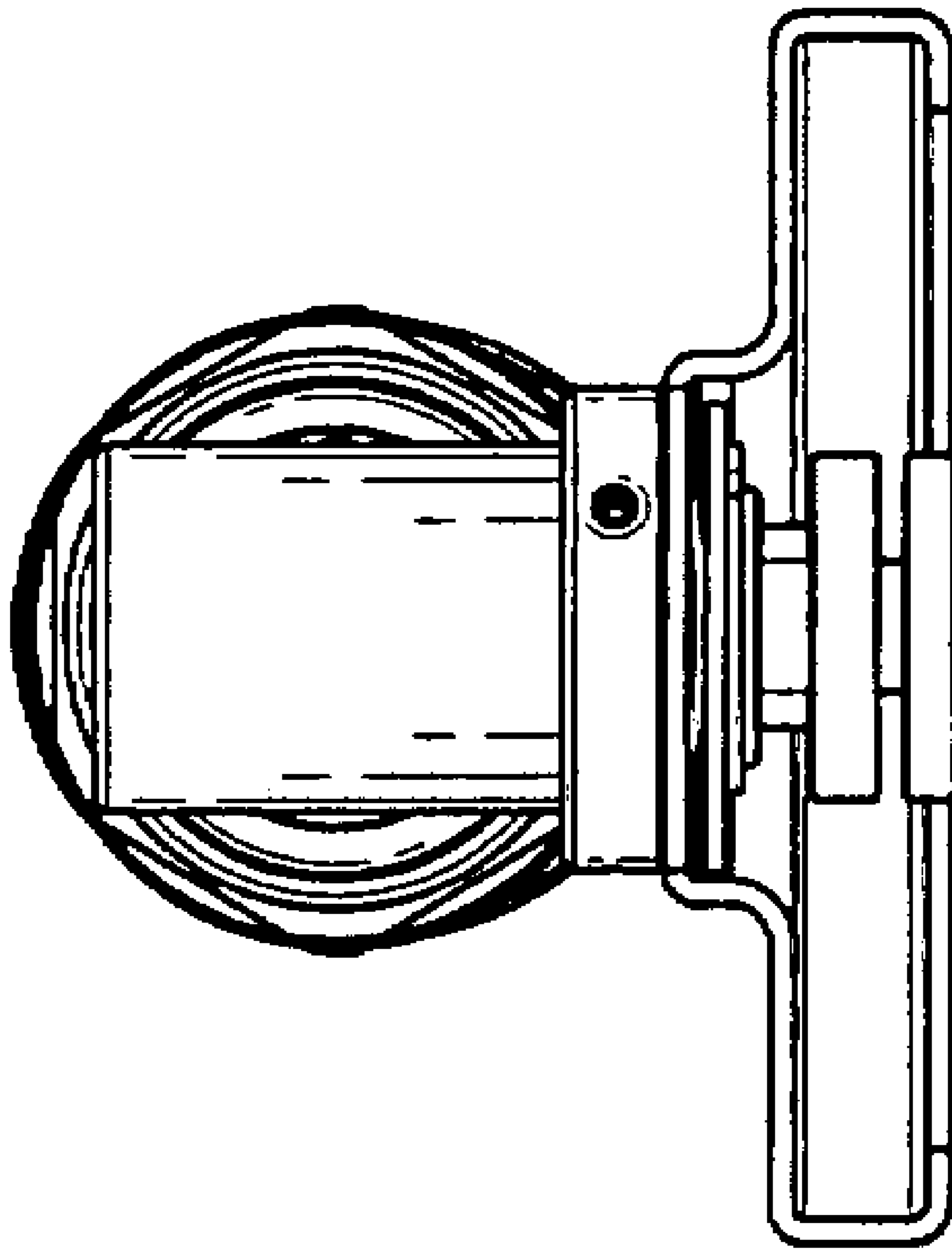


Fig. 4

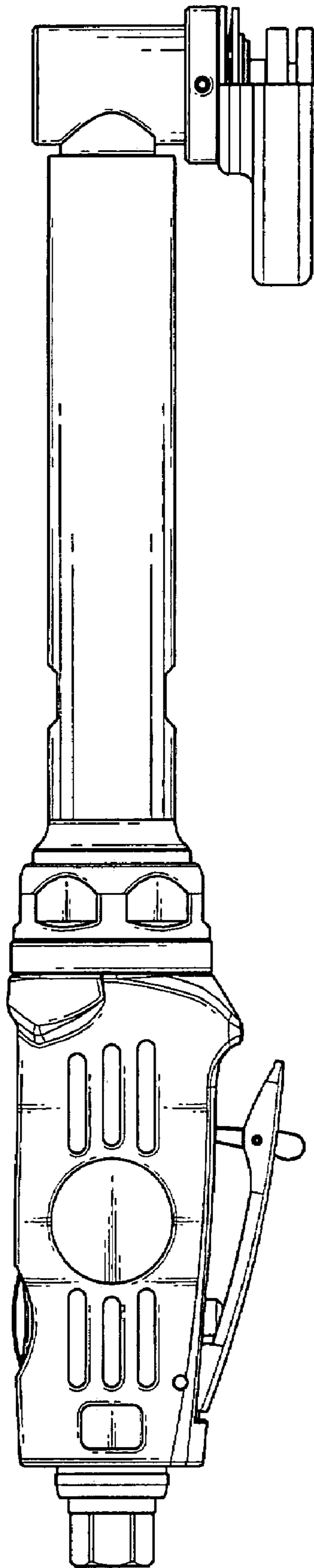


Fig. 5

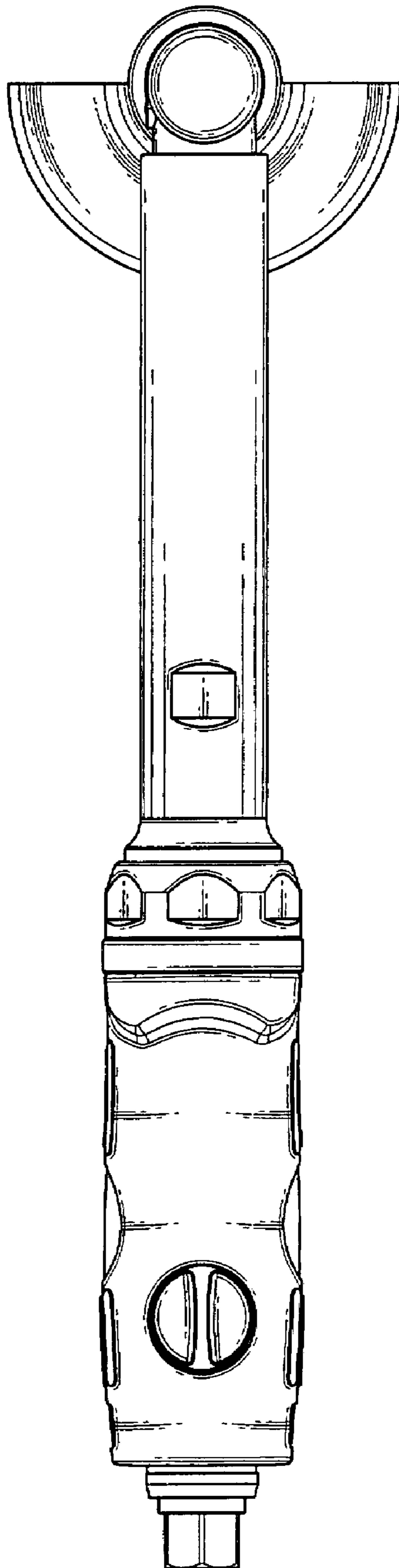


Fig. 6

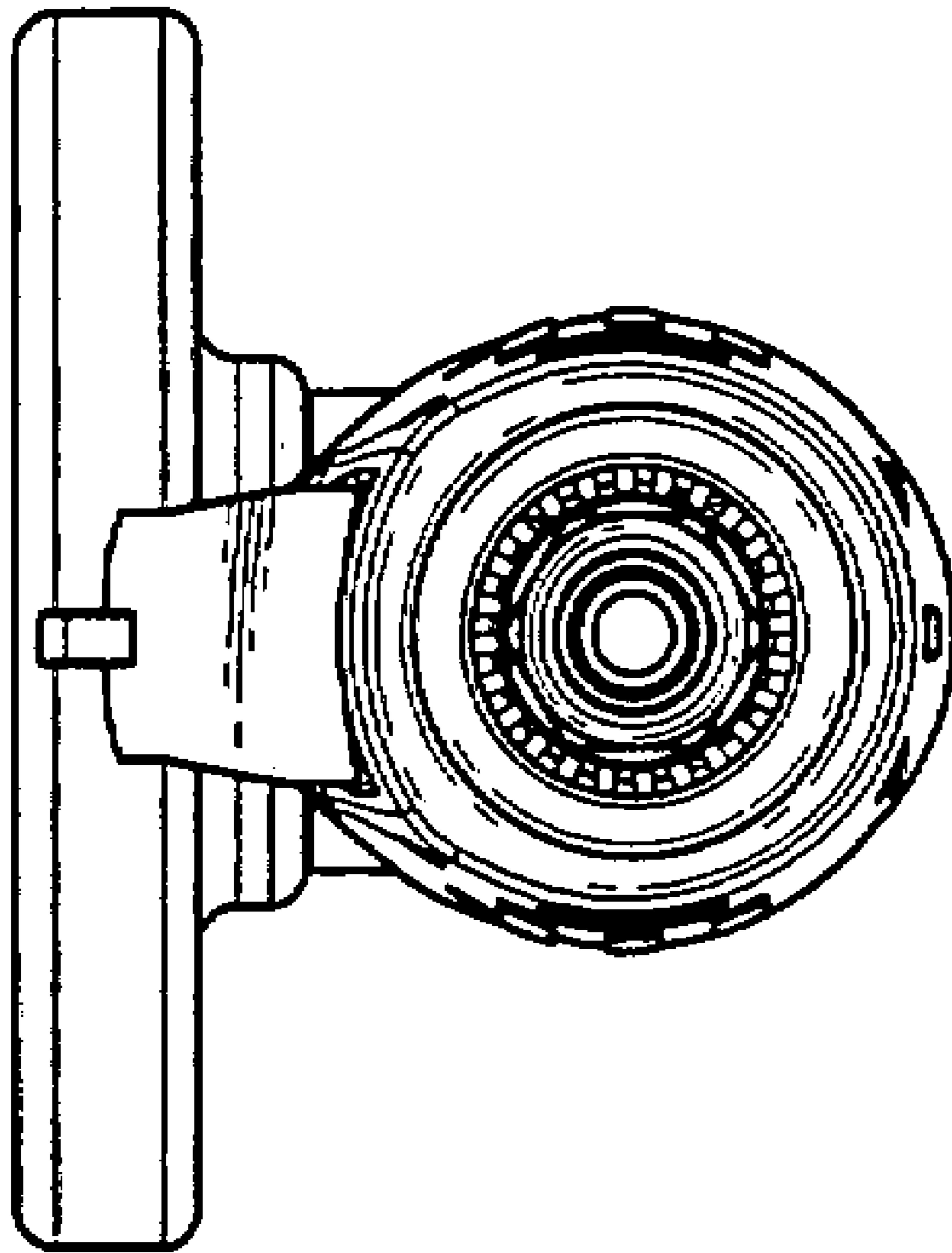


Fig. 7

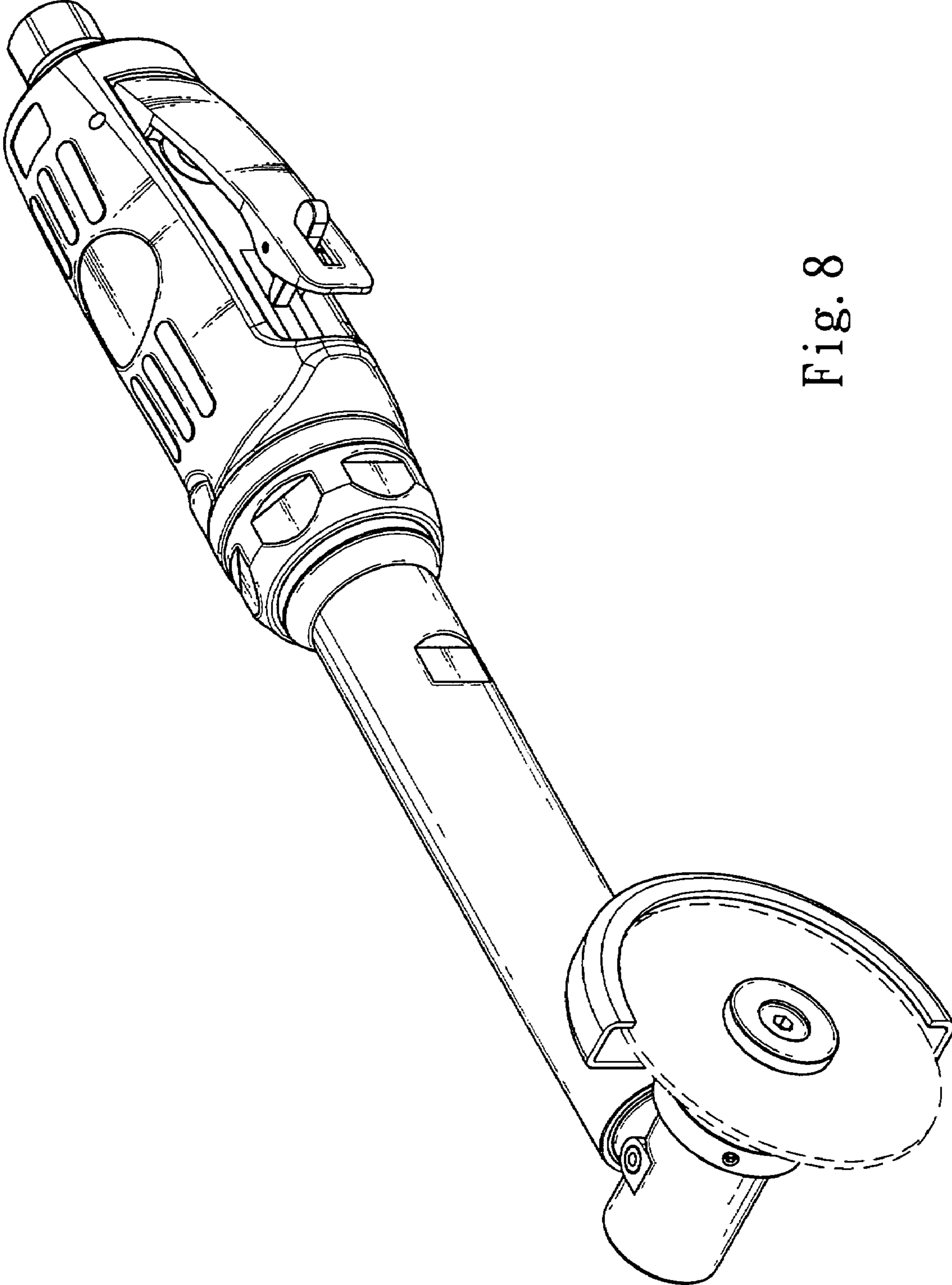


Fig. 8