



US00D553927S

(12) **United States Design Patent**  
**Chen et al.**

(10) **Patent No.:** **US D553,927 S**

(45) **Date of Patent:** **\*\* Oct. 30, 2007**

(54) **STAPLER**

D394,080 S \* 5/1998 Chan ..... D18/19  
D493,083 S \* 7/2004 Lammers et al. .... D8/50  
D517,883 S \* 3/2006 Tsai ..... D8/50

(75) Inventors: **Peter Chen**, West Windsor, NJ (US);  
**Jungkun Lee**, Edison, NJ (US)

\* cited by examiner

(73) Assignee: **Officemate International Corp.**,  
Edison, NJ (US)

*Primary Examiner*—Cathron C. Brooks

*Assistant Examiner*—Austin Murphy

(74) *Attorney, Agent, or Firm*—Daniel Kirshner

(\*\*) Term: **14 Years**

(57) **CLAIM**

(21) Appl. No.: **29/271,794**

The ornamental design for a stapler, as shown and described.

(22) Filed: **Jan. 26, 2007**

**DESCRIPTION**

(51) **LOC (8) Cl.** ..... **08-01**

FIG. 1 is a front perspective view of a stapler showing the new design;

(52) **U.S. Cl.** ..... **D8/50**

FIG. 2 is a rear perspective view thereof;

(58) **Field of Classification Search** ..... D8/49,  
D8/50, 61; D19/72; 227/120, 127, 128,  
227/131, 132, 134, 156

FIG. 3 is a right side elevational view thereof;

See application file for complete search history.

FIG. 4 is left side elevational view thereof;

FIG. 5 is a bottom view thereof;

(56) **References Cited**

FIG. 6 is a top thereof;

**U.S. PATENT DOCUMENTS**

FIG. 7 is a rear elevational view thereof; and,

D158,401 S \* 5/1950 Nyberg ..... D8/50

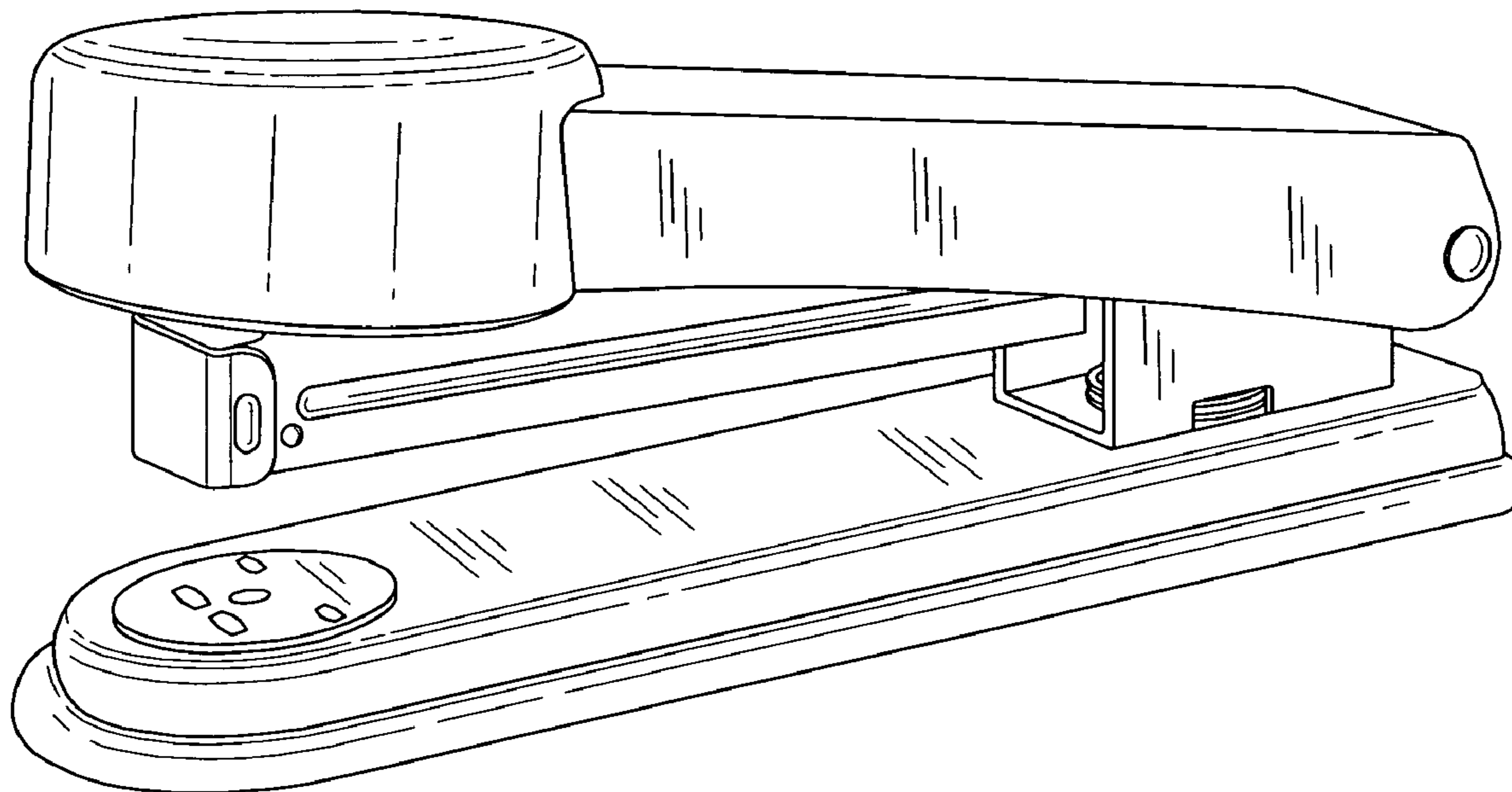
FIG. 8 is a front elevational view thereof.

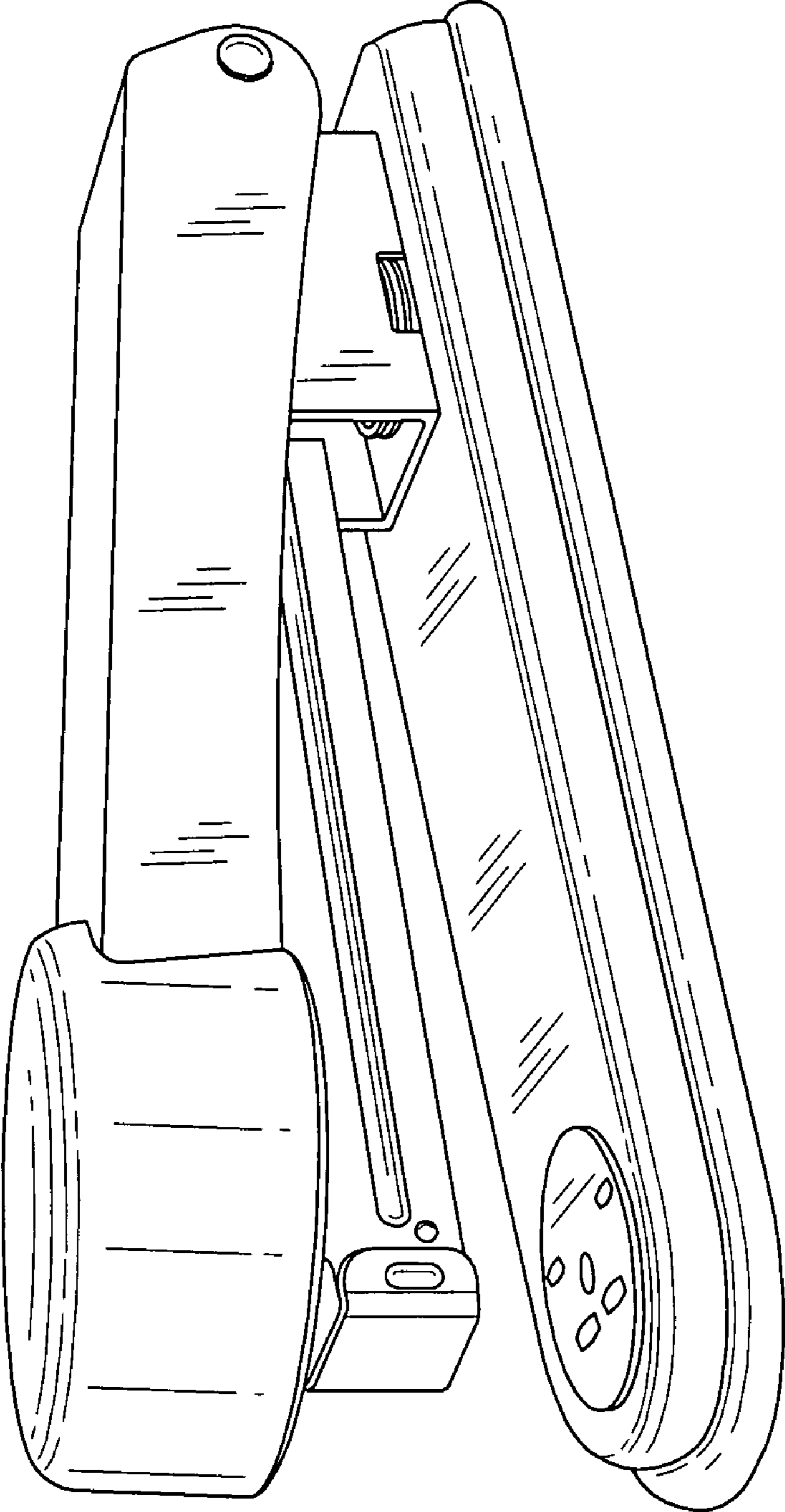
2,738,505 A \* 3/1956 Vail ..... 227/126

D331,000 S \* 11/1992 Doorley ..... D8/50

D339,043 S \* 9/1993 Chi ..... D8/50

**1 Claim, 8 Drawing Sheets**





*FIG. 1*

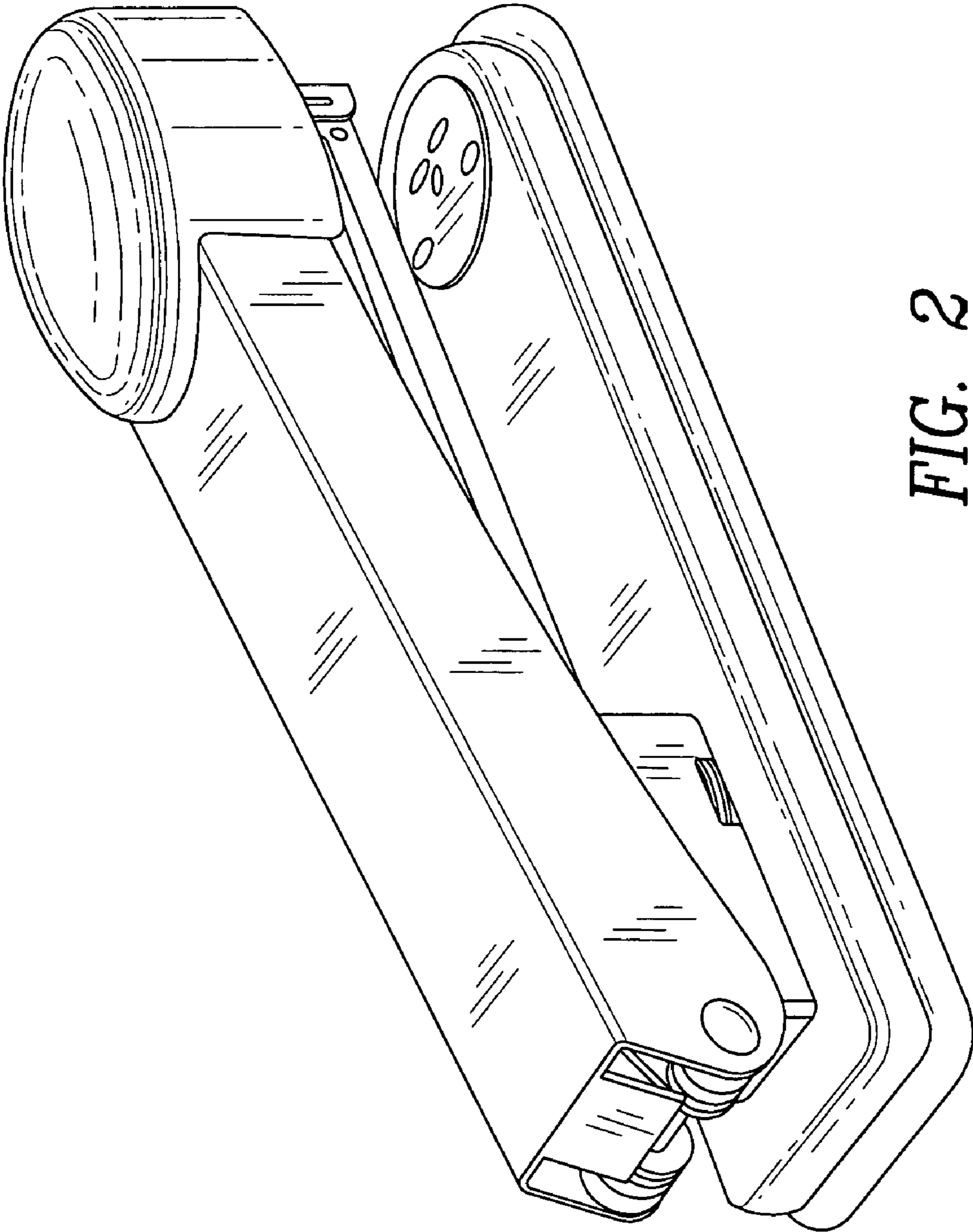


FIG. 2

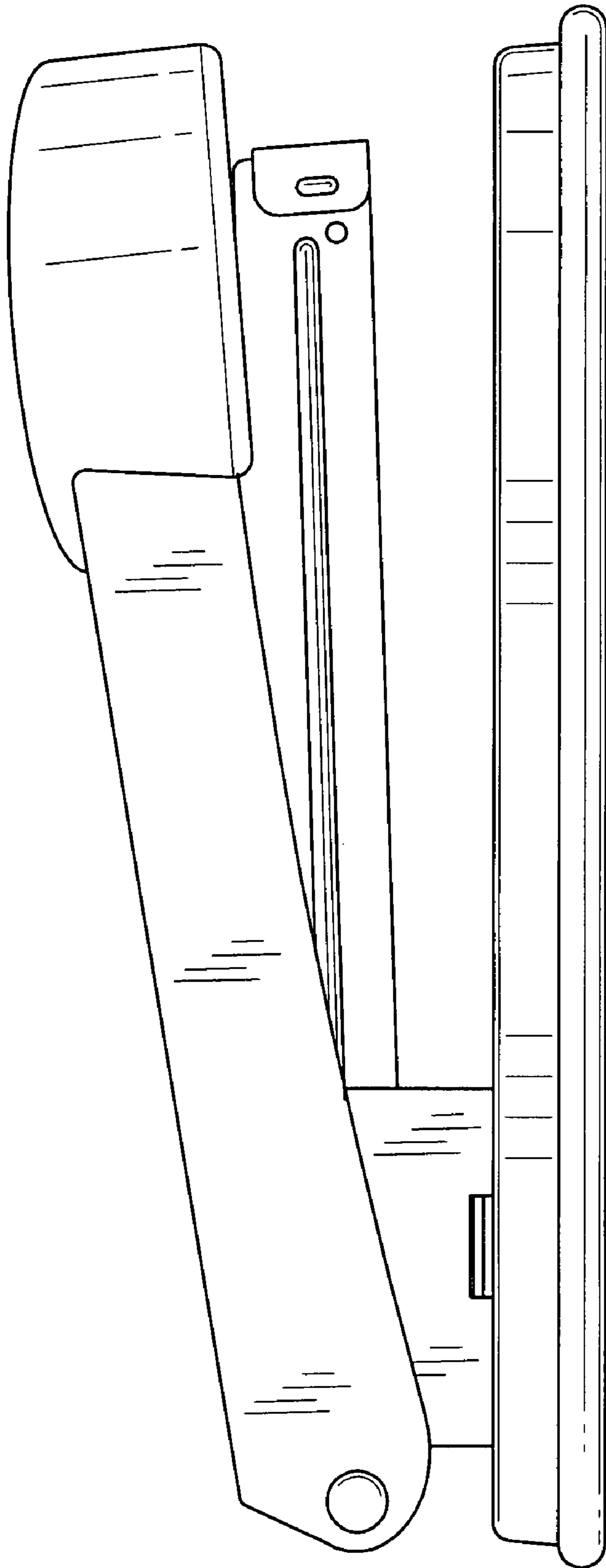


FIG. 3

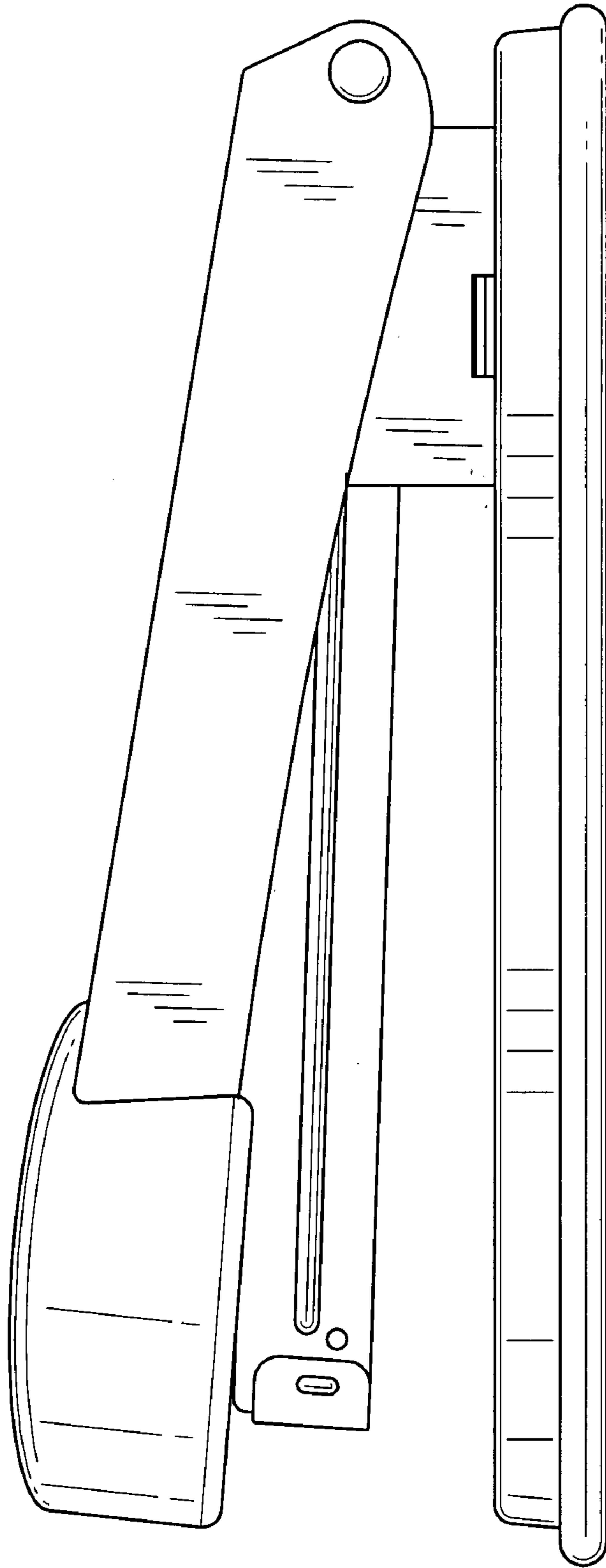
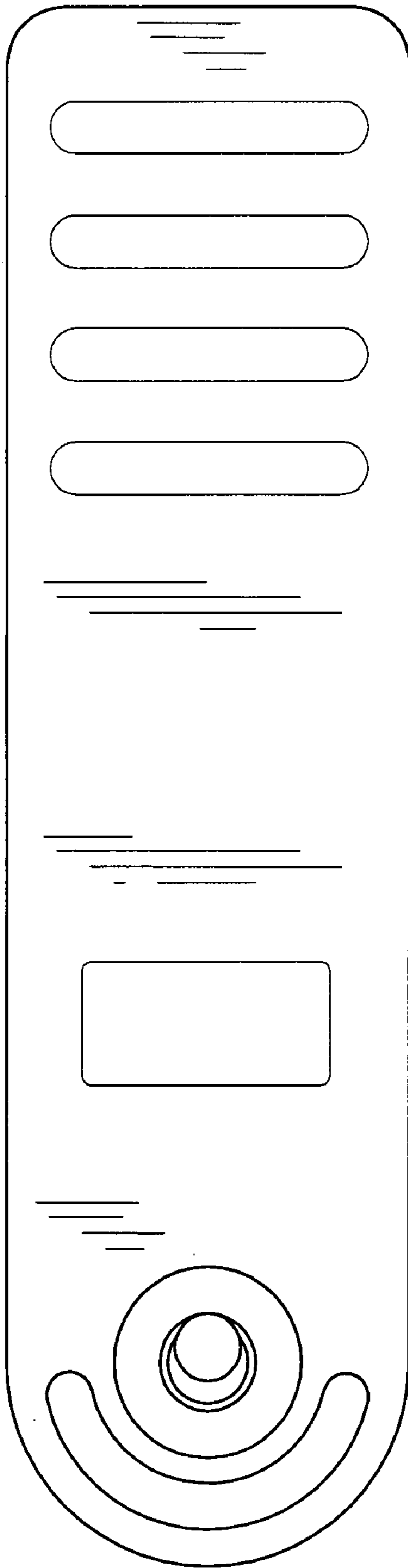


FIG. 4



*FIG. 5*

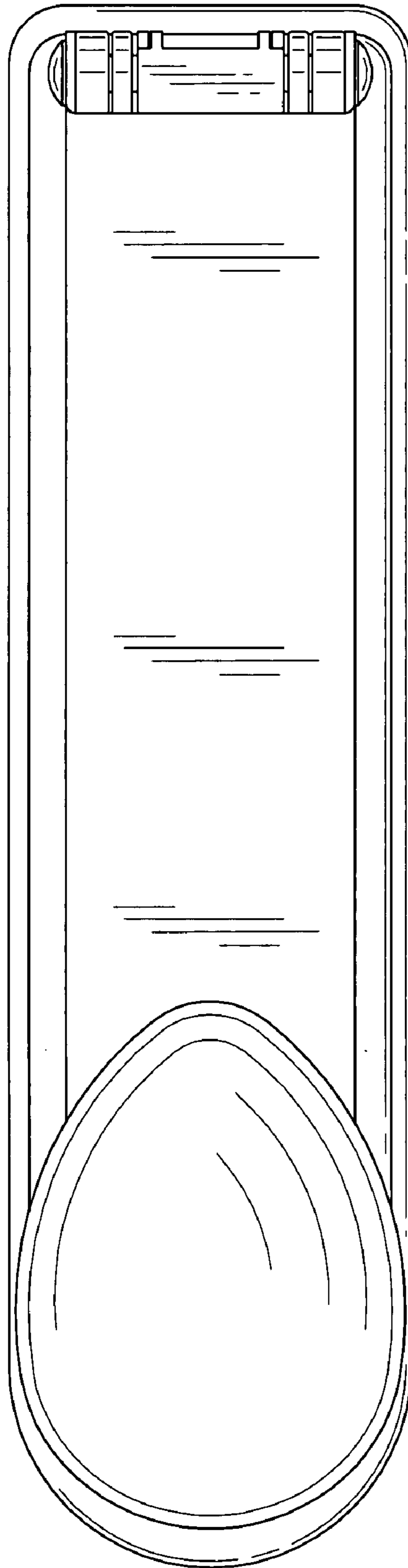
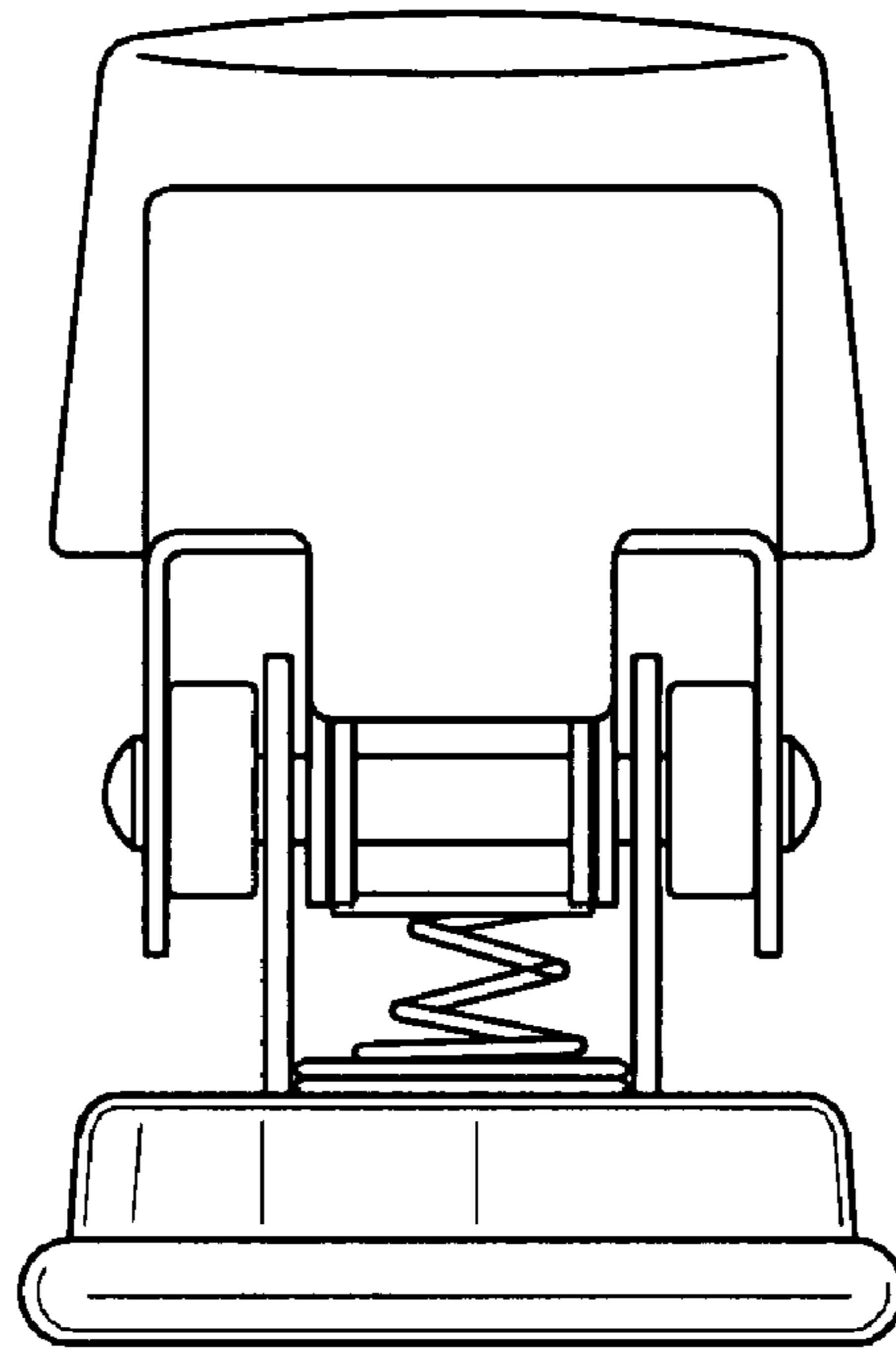
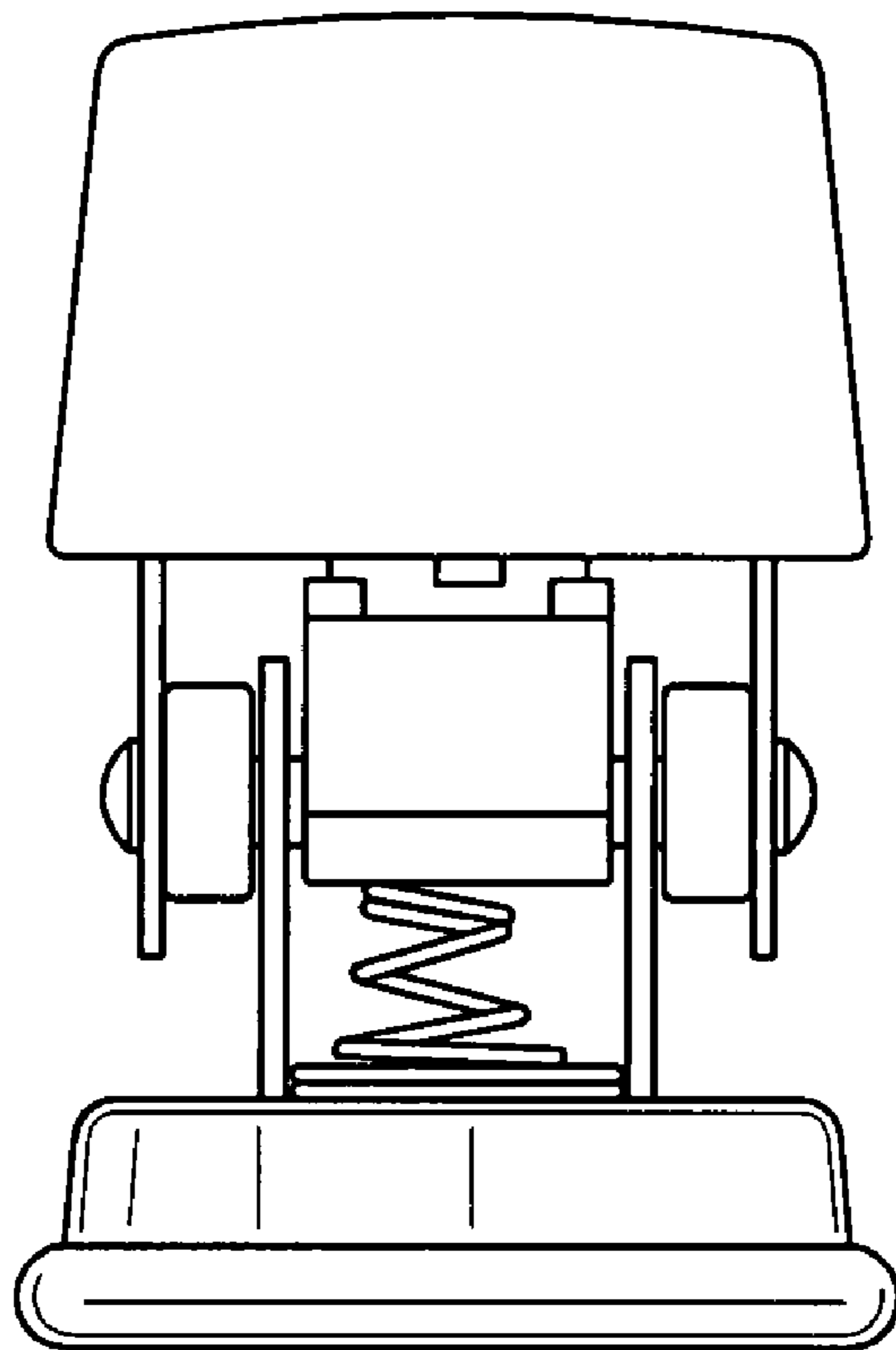


FIG. 6



*FIG. 7*





*FIG. 8*