



US00D553922S

(12) **United States Design Patent**
Fujino et al.

(10) **Patent No.:** **US D553,922 S**

(45) **Date of Patent:** **** Oct. 30, 2007**

(54) **DETACHING TOOL FOR DETACHING A COVER FROM HAND-HELD ELECTRONIC GAME MACHINE**

D470,556 S * 2/2003 Guerette et al. D21/793
6,804,869 B1 * 10/2004 Tong 29/426.1
D499,784 S * 12/2004 Calvani D21/793
D518,864 S * 4/2006 Bradshaw D21/793

(75) Inventors: **Takaki Fujino**, Kyoto (JP); **Kazuumi Otani**, Kyoto (JP)

* cited by examiner

(73) Assignee: **Nintendo Co., Ltd.**, Kyoto (JP)

Primary Examiner—Philip S. Hyder

(**) Term: **14 Years**

(74) *Attorney, Agent, or Firm*—Nixon & Vanderhye, PC

(21) Appl. No.: **29/242,568**

(57) **CLAIM**

(22) Filed: **Nov. 14, 2005**

The ornamental design for a detaching tool for detaching a cover from hand-held electronic game machine, as shown and described.

(30) **Foreign Application Priority Data**

DESCRIPTION

May 13, 2005 (JP) 2005-013676

(51) **LOC (8) Cl.** **08-05**

(52) **U.S. Cl.** **D8/14**

(58) **Field of Classification Search** D8/14,
D8/40, 51, 47, 88, 89, 107; D32/46; D21/793;
81/488, 3.55; 254/120; 7/166

See application file for complete search history.

FIG. 1 is a front, bottom and right perspective view of a detaching tool for detaching a cover from hand-held electronic game machine showing an our new design;

FIG. 2 is a rear, top and left perspective view thereof;

FIG. 3 is a front view thereof, a rear view being a mirror image thereof;

FIG. 4 is a top plan view thereof;

FIG. 5 is a bottom plan view thereof;

FIG. 6 is a right side view thereof, a left side view being a mirror image thereof; and,

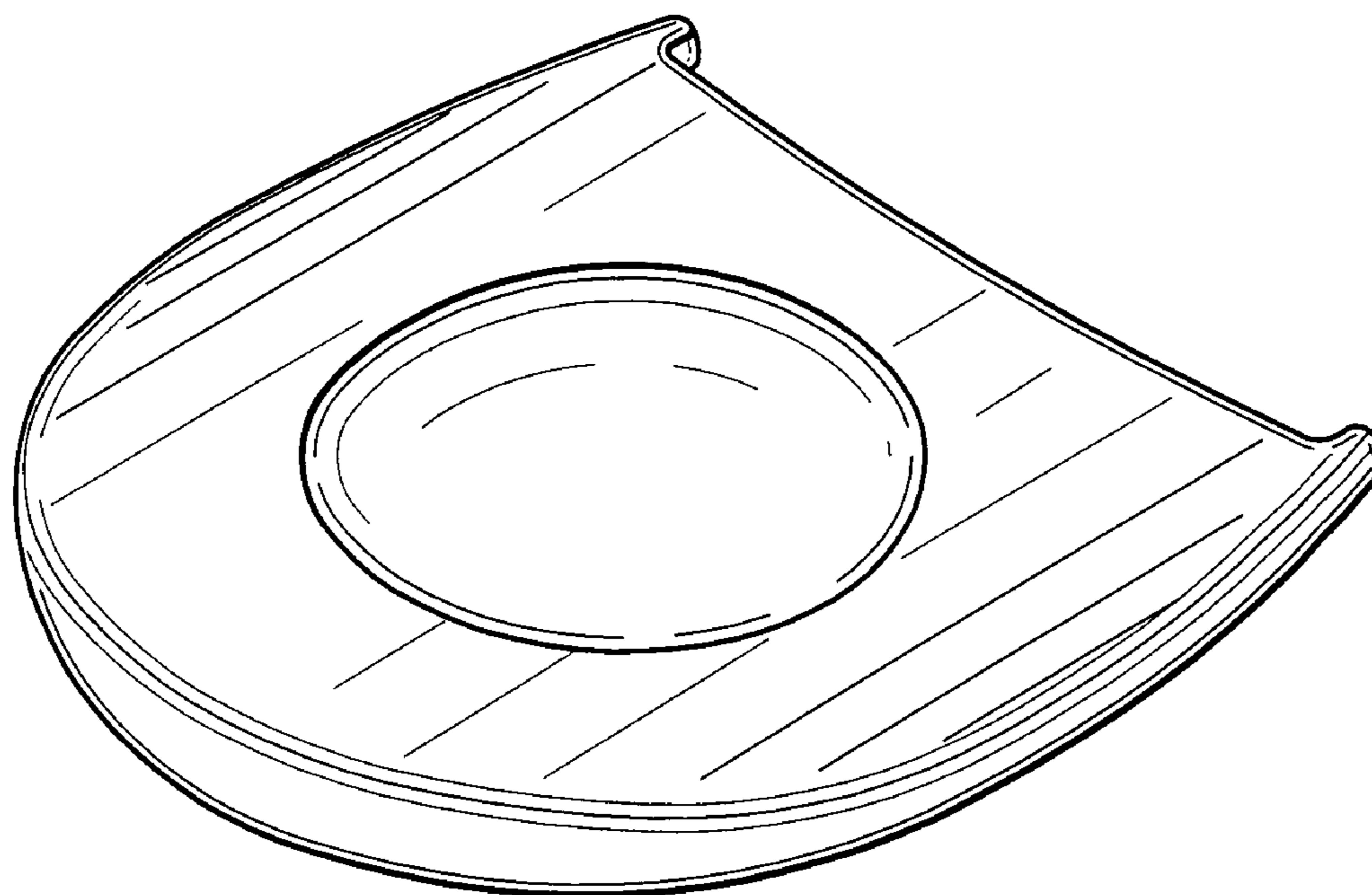
FIG. 7 is front view of the detaching tool, wherein the broken line showing of the hand-held electronic game machine is for illustrative purposes only and forms no part of the claimed design.

(56) **References Cited**

U.S. PATENT DOCUMENTS

3,898,723 A * 8/1975 Kirby et al. 29/270
4,479,406 A * 10/1984 Shoemaker, III 81/3.55
D340,755 S * 10/1993 Shearer D21/793
5,546,625 A * 8/1996 Mealey, Sr. 15/105
D384,719 S * 10/1997 Fazekas D21/793
5,733,208 A * 3/1998 Fazekas 473/406
6,354,174 B1 * 3/2002 Korwin 81/3.55
D465,539 S * 11/2002 Tate D21/793

1 Claim, 3 Drawing Sheets



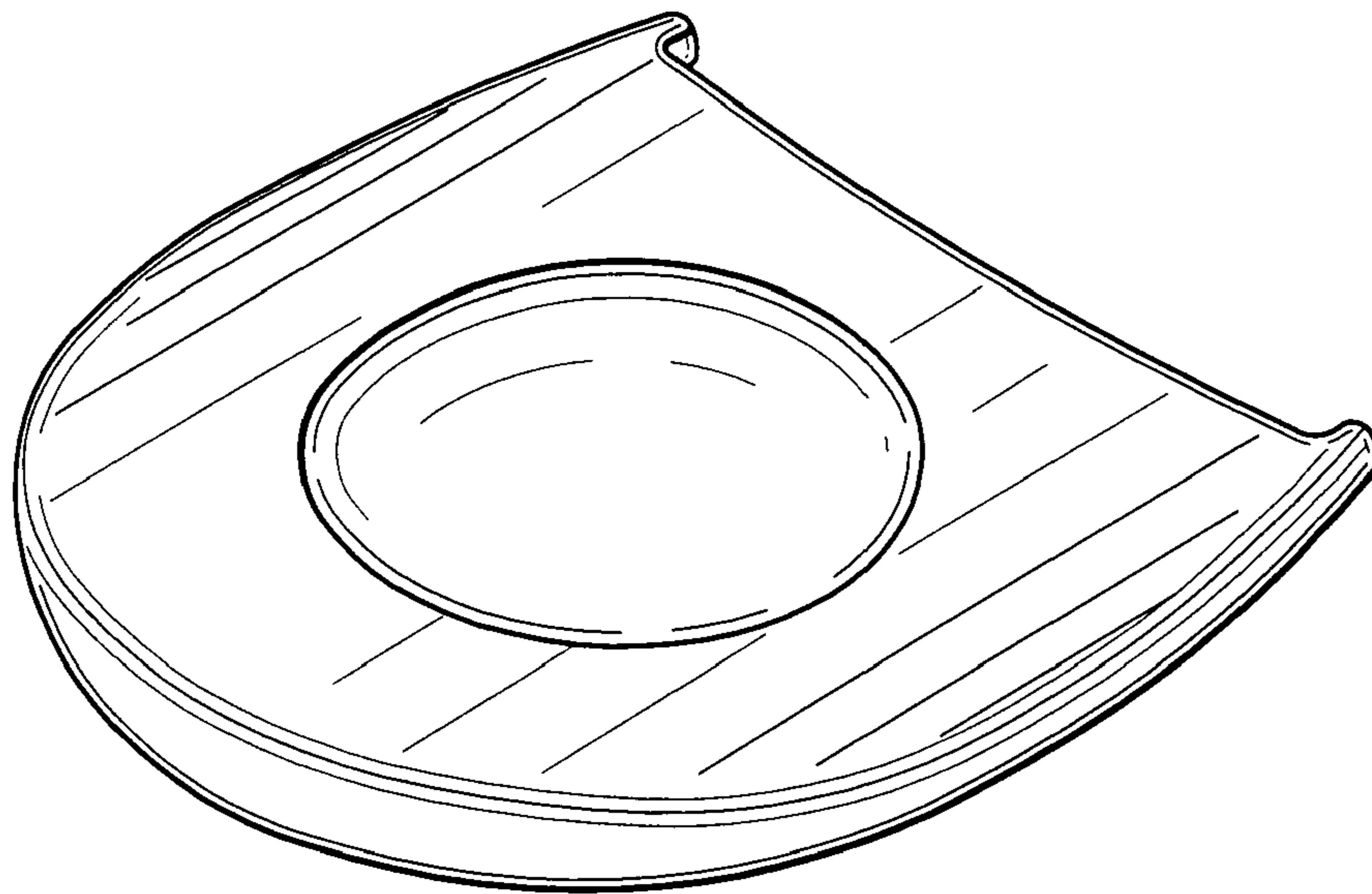


FIG. 1

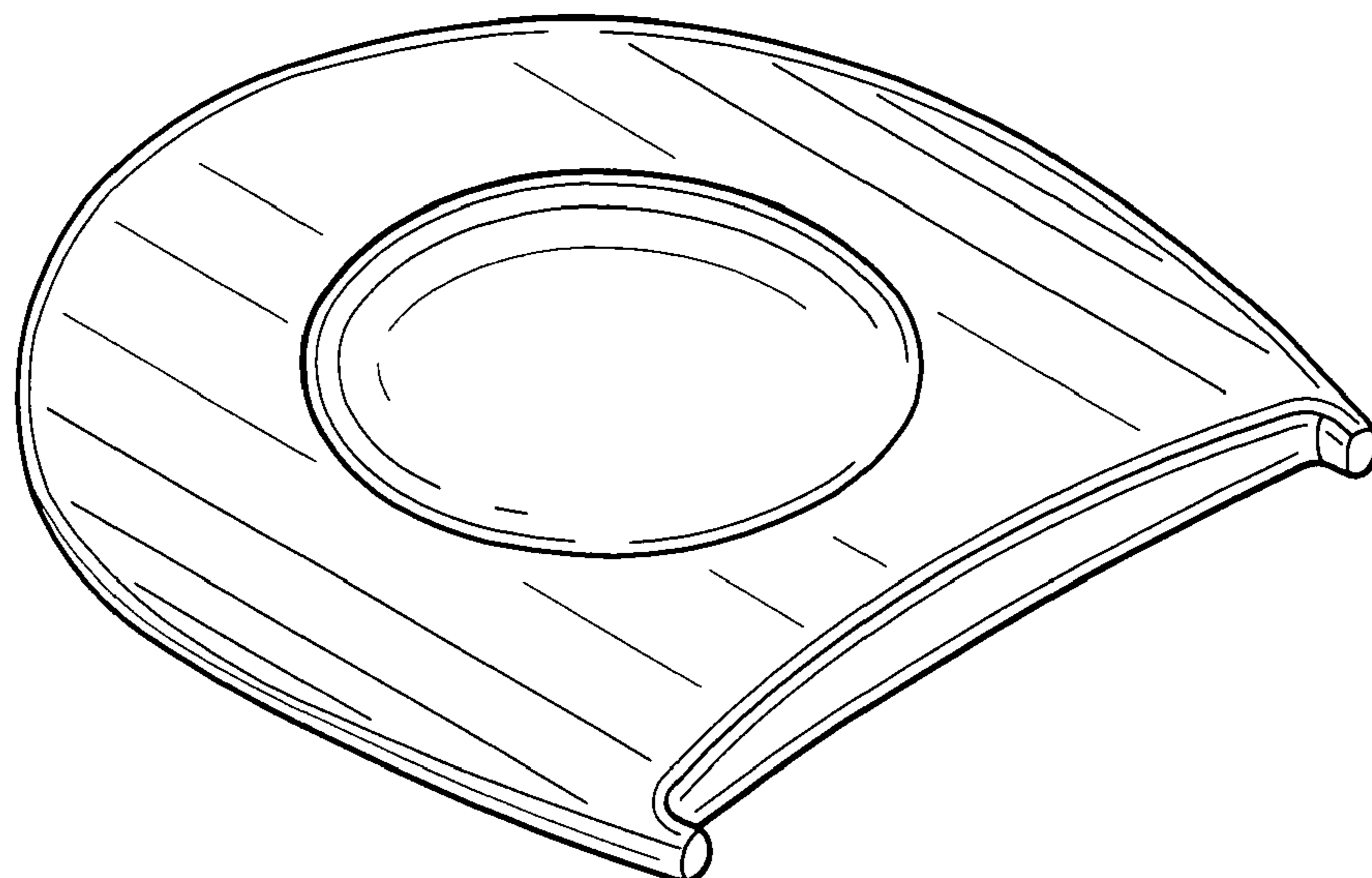


FIG. 2

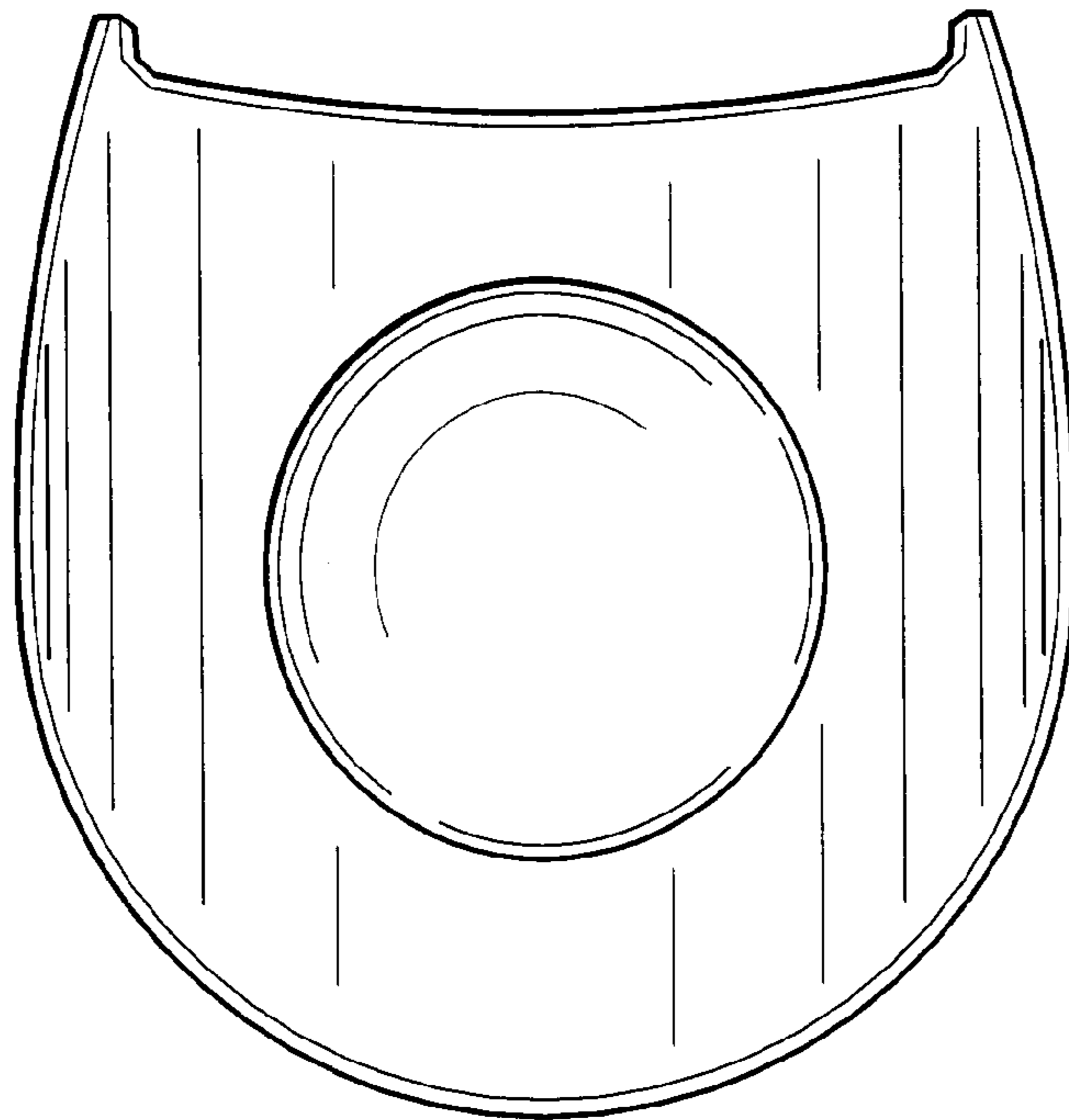


FIG. 3

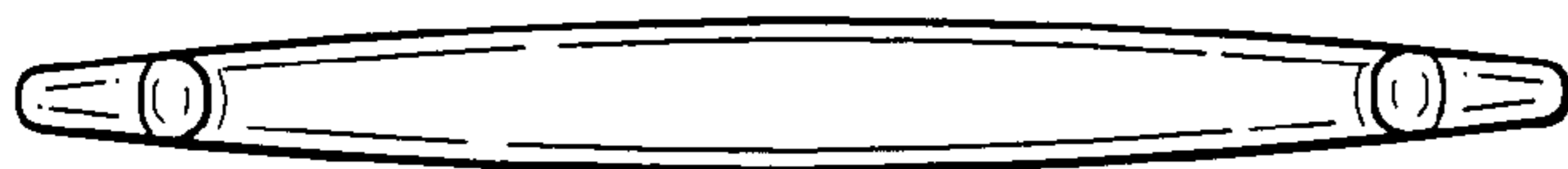


FIG. 4

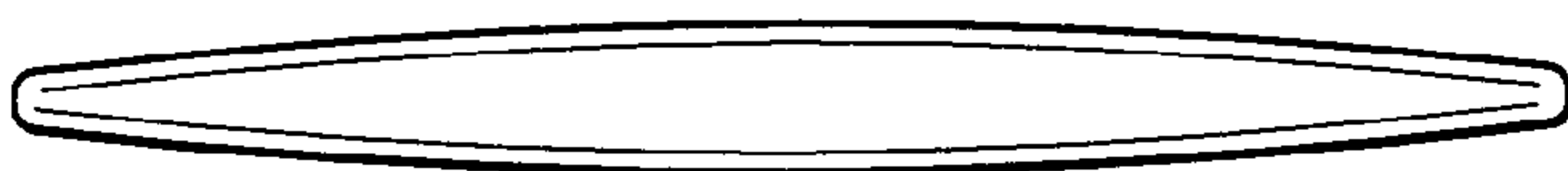


FIG. 5



FIG. 6

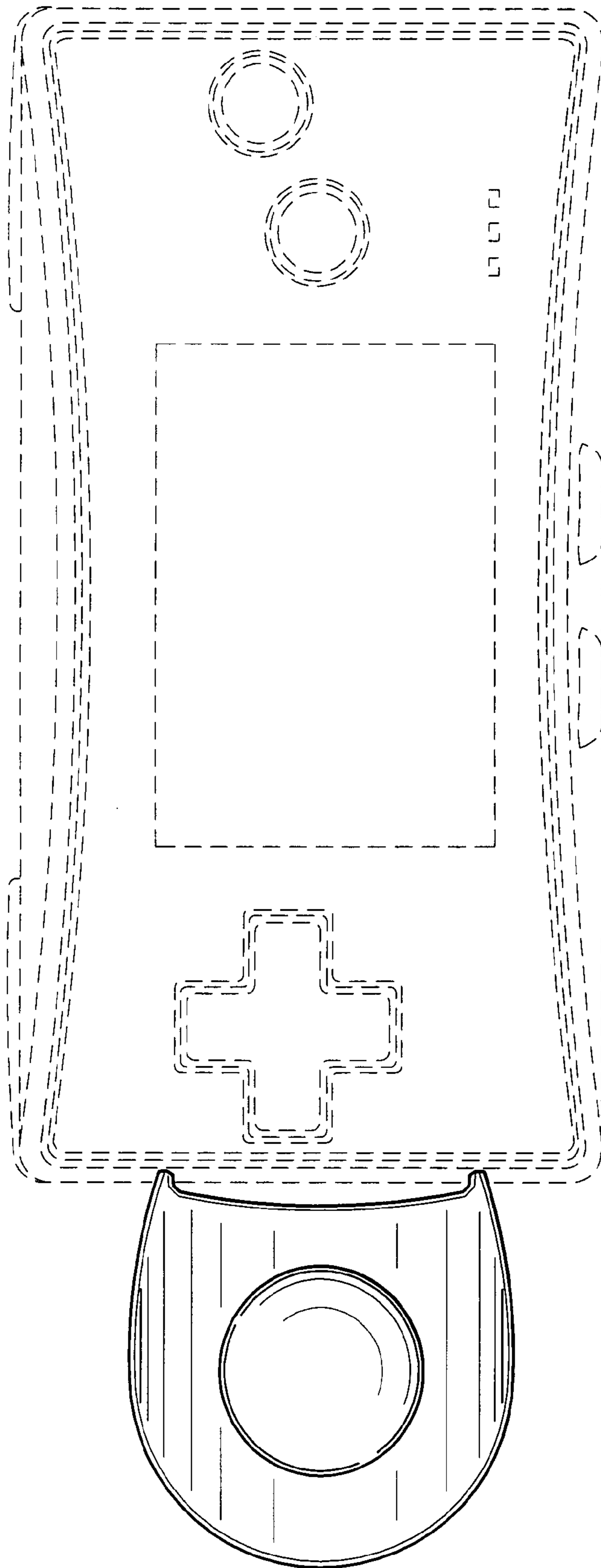


FIG. 7