



US00D553921S

(12) **United States Design Patent**
Melady

(10) **Patent No.:** **US D553,921 S**

(45) **Date of Patent:** **** Oct. 30, 2007**

(54) **SHOVEL**

6,944,980 B1 * 9/2005 Lefrancois 37/285
7,216,907 B1 * 5/2007 Mussman et al. 294/49

(76) **Inventor:** **Paul Melady**, 23 McNaulty Lane,
Guelph, Ontario (CA) N1L 1S6

* cited by examiner

(**) **Term:** **14 Years**

Primary Examiner—Holly H. Baynham

Assistant Examiner—Sheryl Friedman

(21) **Appl. No.:** **29/260,508**

(74) *Attorney, Agent, or Firm*—Miller Thomson LLP

(22) **Filed:** **May 26, 2006**

(57) **CLAIM**

(51) **LOC (8) Cl.** **08-01**

The ornamental design for the shovel, as shown and described.

(52) **U.S. Cl.** **D8/10**

(58) **Field of Classification Search** D8/1,
D8/10; 294/49, 54.5; 7/116

DESCRIPTION

See application file for complete search history.

FIG. 1 is a front perspective view of the shovel.

FIG. 2 is a back perspective view of the shovel.

(56) **References Cited**

U.S. PATENT DOCUMENTS

4,153,287 A * 5/1979 Townsend 294/51
D355,075 S * 2/1995 Stone D4/118
5,727,829 A * 3/1998 Bellichak 294/51
5,782,518 A * 7/1998 Scruggs 294/57
D415,663 S * 10/1999 Whitehead et al. D8/10
D434,287 S * 11/2000 Spear D8/10

FIG. 3 is a right side view of the shovel.

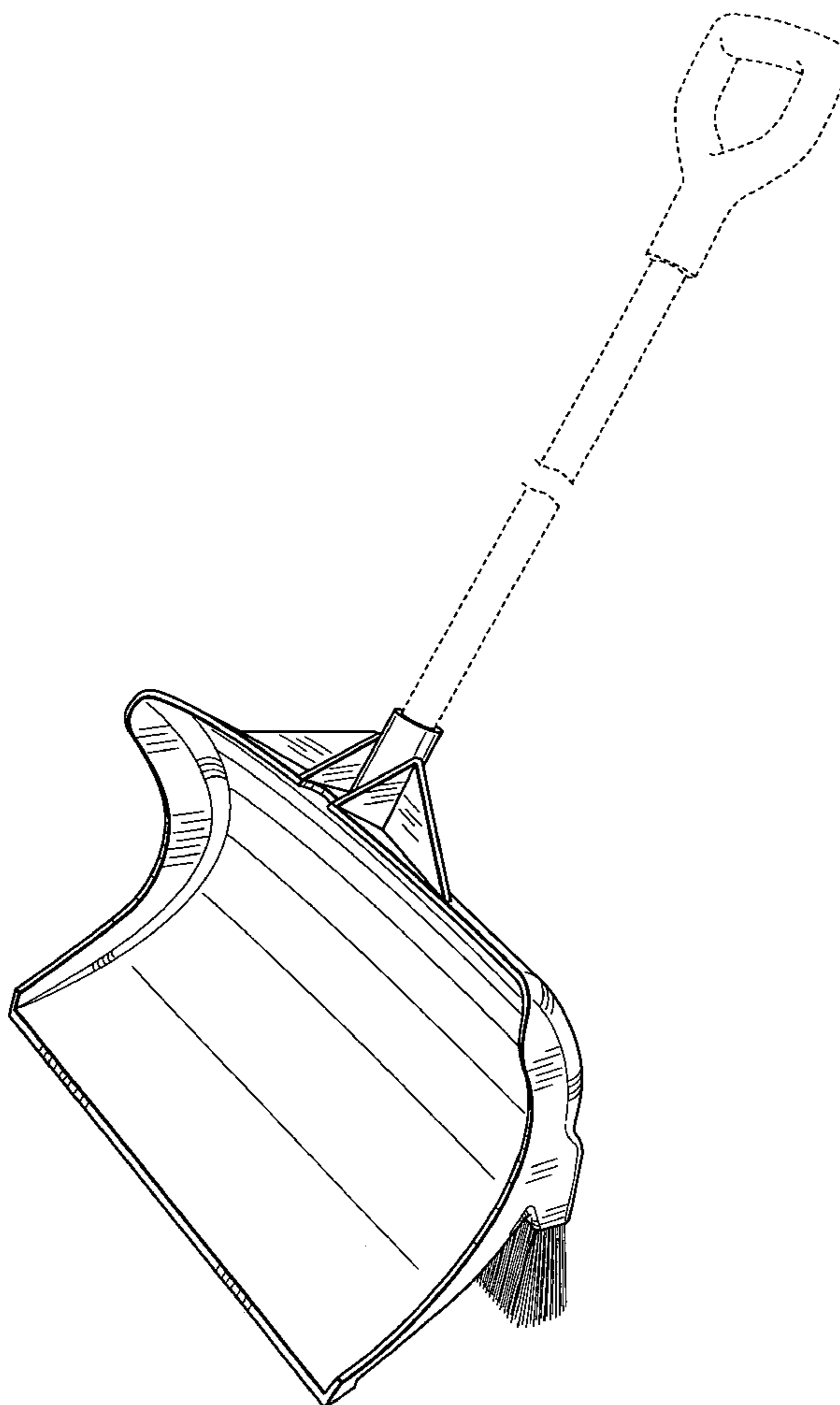
FIG. 4 is a front plan view of the shovel.

FIG. 5 is a back plan view of the shovel.

FIG. 6 is a top perspective view of the shovel; and,

FIG. 7 is a bottom perspective view of the shovel.

1 Claim, 4 Drawing Sheets



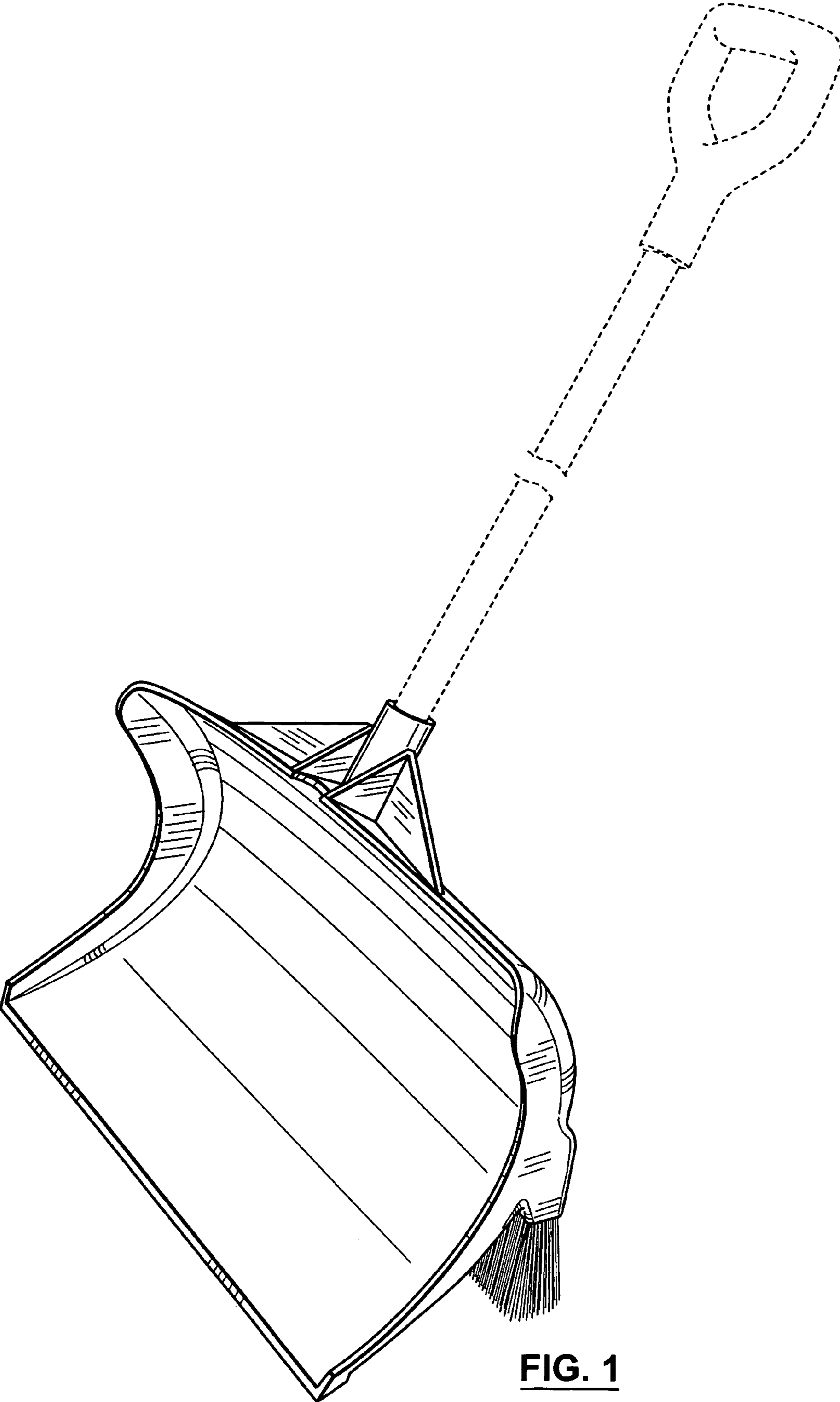


FIG. 1

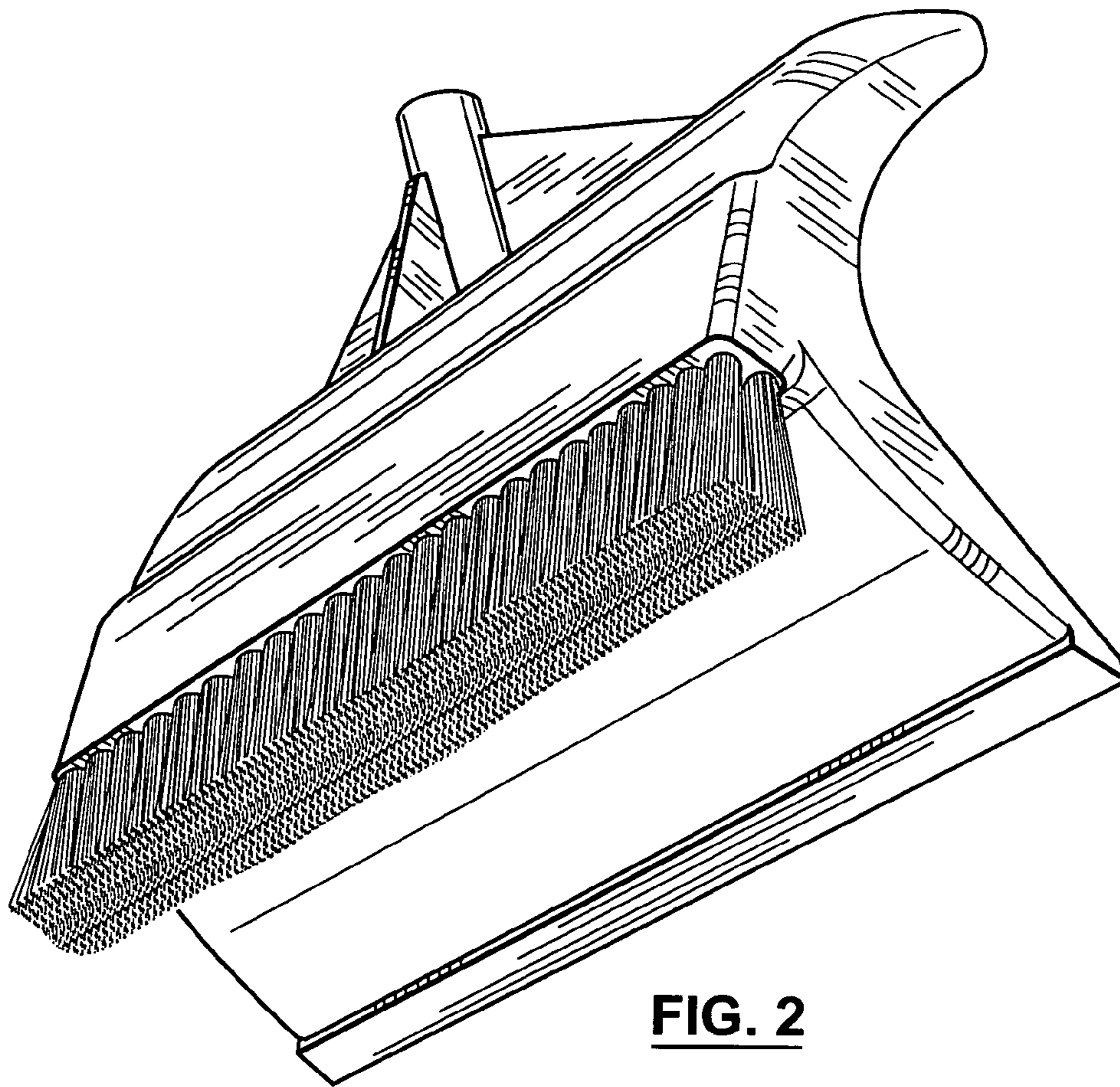


FIG. 2

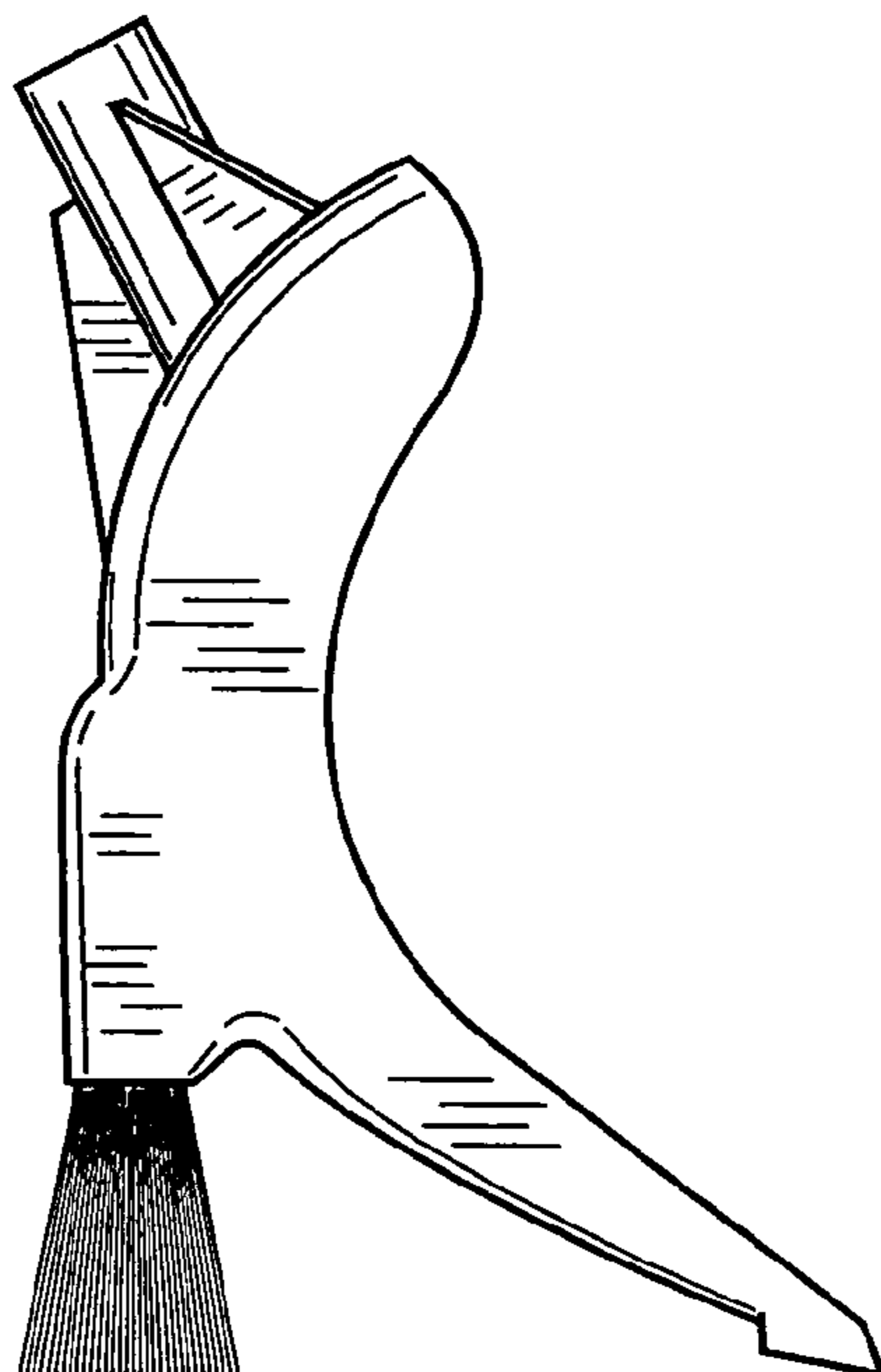


FIG. 3

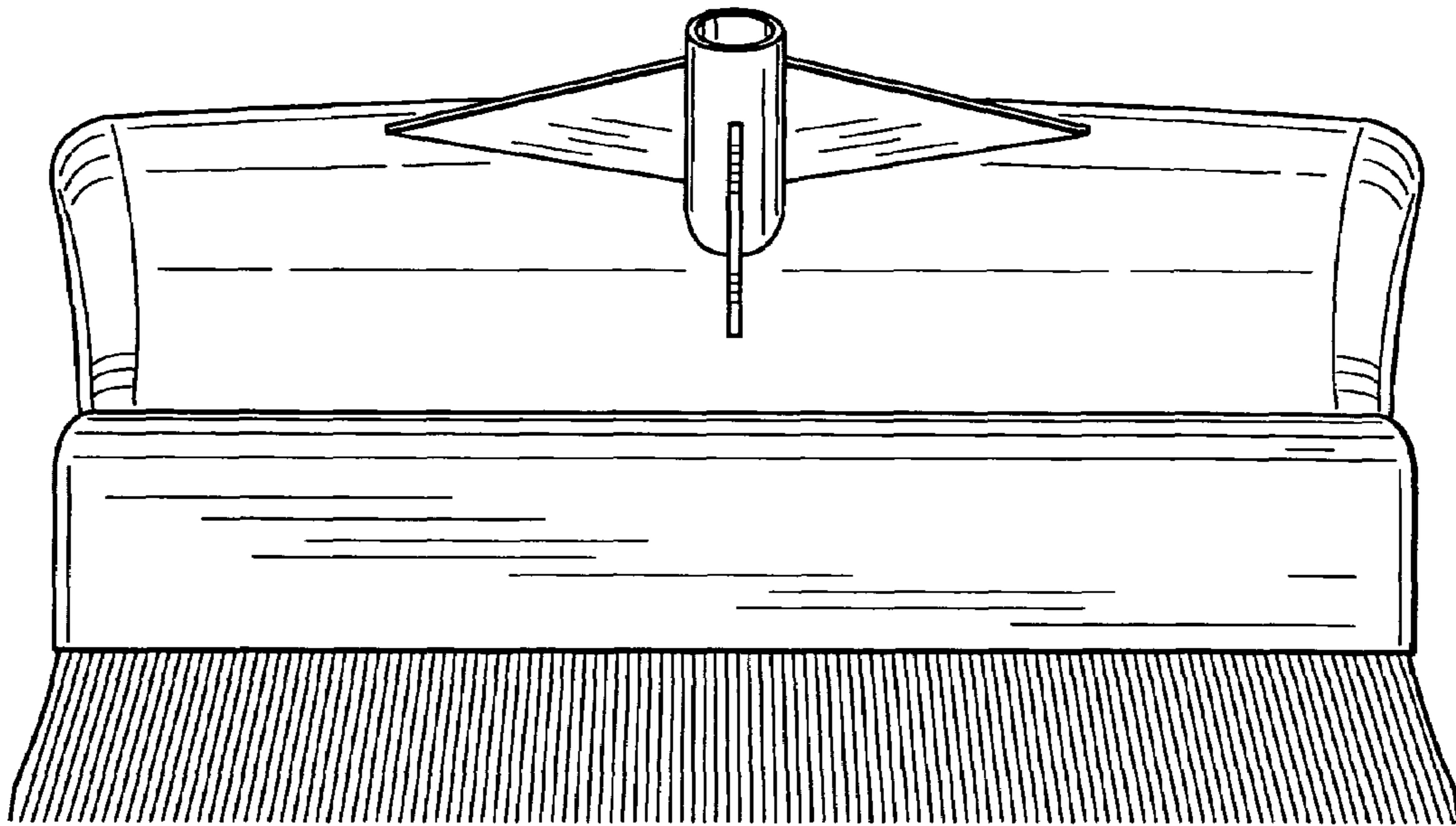


FIG. 5

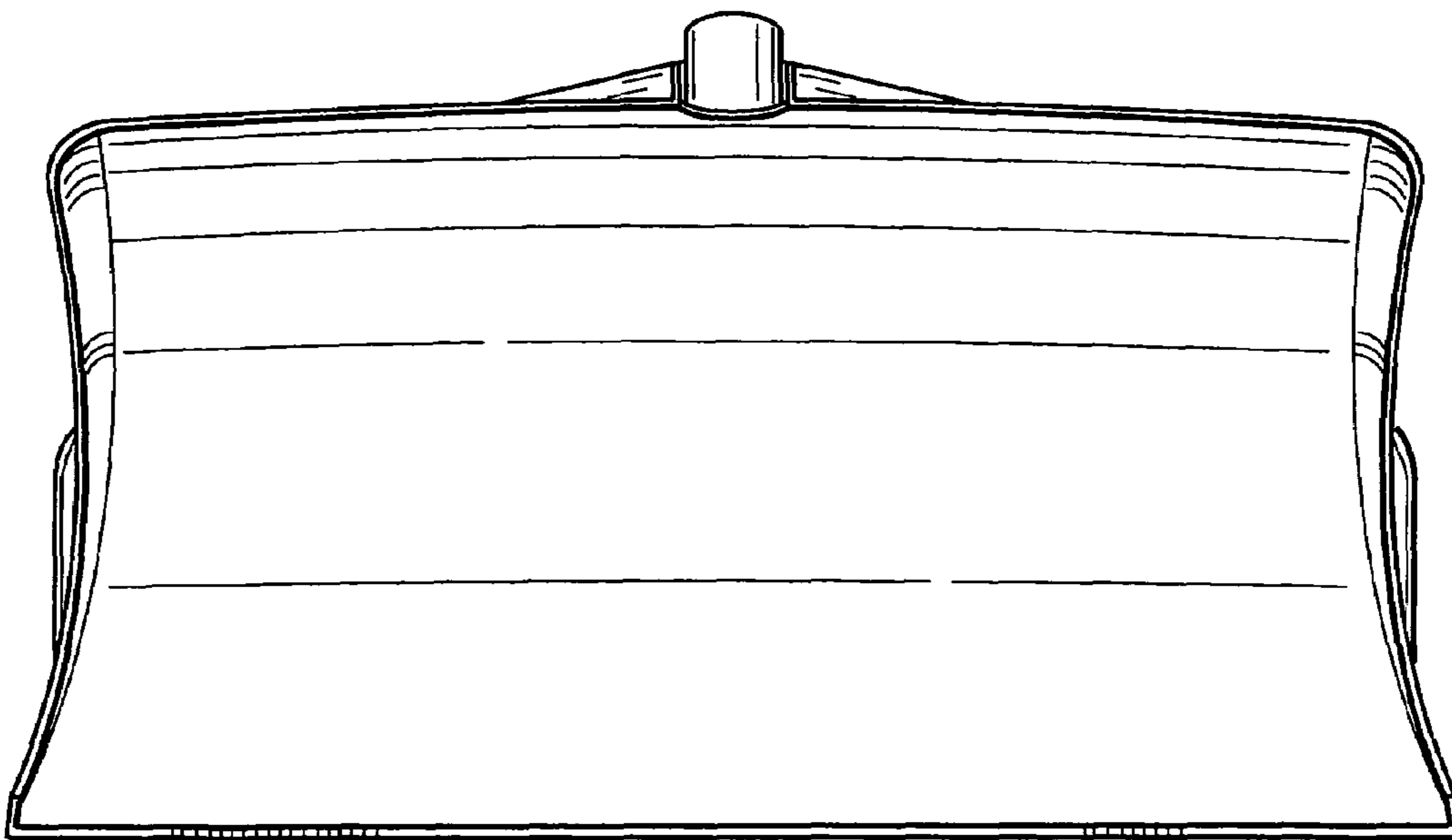


FIG. 4

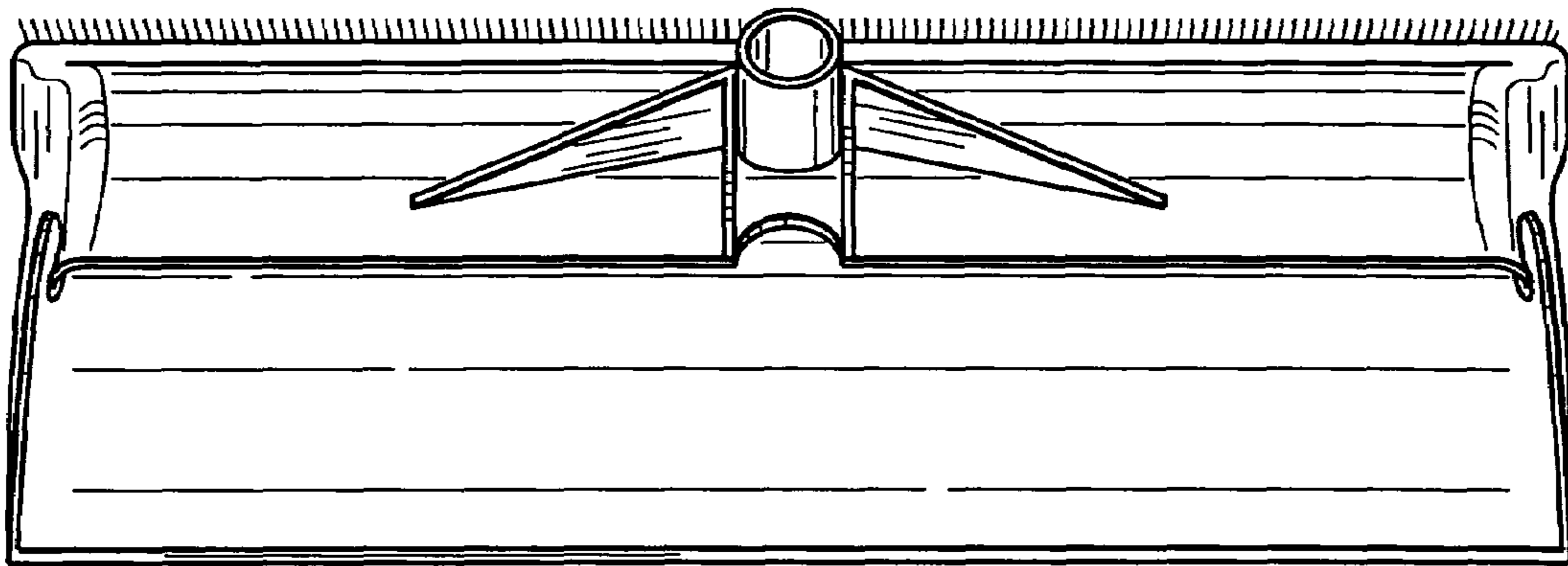


FIG. 6

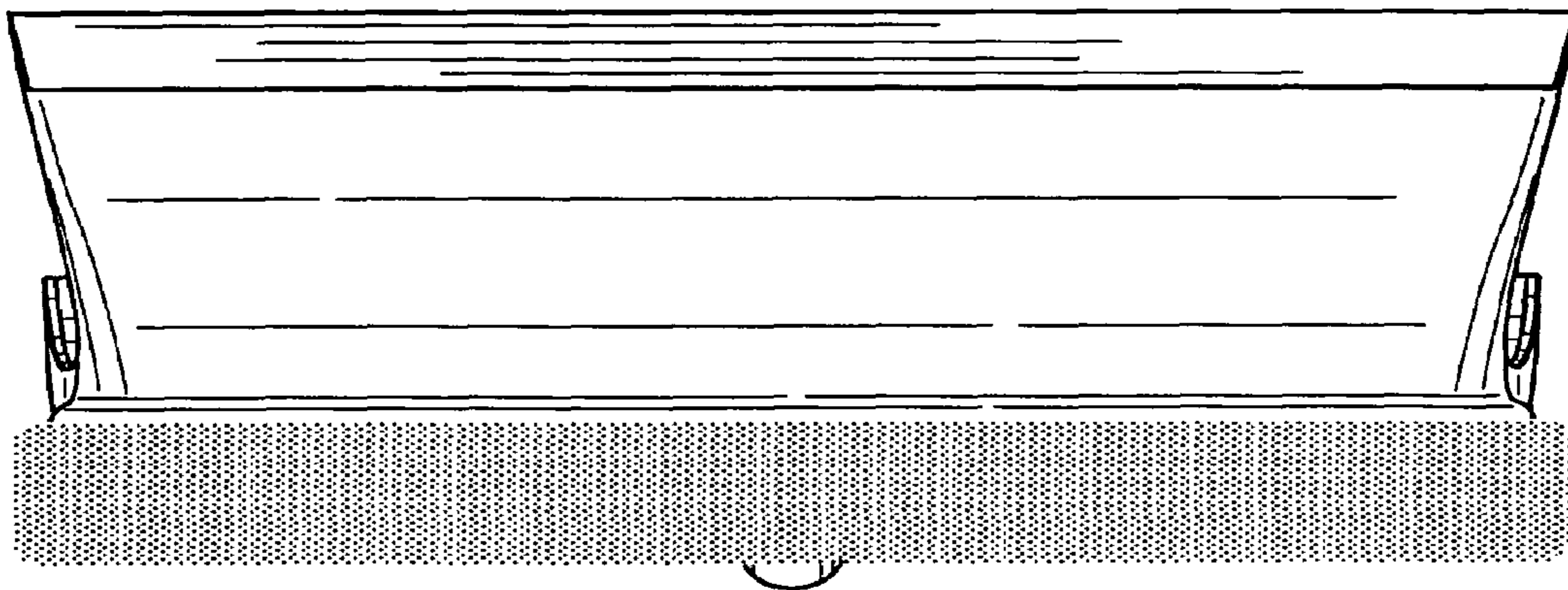


FIG. 7