



US00D553915S

(12) **United States Design Patent**
Lerner

(10) **Patent No.:** **US D553,915 S**

(45) **Date of Patent:** **** Oct. 30, 2007**

(54) **DISPLAY UNIT FOR FLATWARE**

(75) Inventor: **Ran Lerner**, New York, NY (US)

(73) Assignee: **Yamazaki Tableware, Inc.**,
Hackensack, NJ (US)

(**) Term: **14 Years**

(21) Appl. No.: **29/269,665**

(22) Filed: **Dec. 6, 2006**

(51) **LOC (8) Cl.** **07-03**

(52) **U.S. Cl.** **D7/643**

(58) **Field of Classification Search** D7/368,
D7/401.2, 637-641, 642-664, 669, 675, 676,
D7/683, 688-692; D6/310-311, 467-471;
30/137, 142, 147-150, 322-329; 206/45.23,
206/369, 755; 211/70.7, 80-85; 428/134
See application file for complete search history.

(56) **References Cited**

U.S. PATENT DOCUMENTS

D752 S 12/1855 Gardner
1,052,590 A 2/1913 Johnson

(Continued)

Primary Examiner—Mimosa De

Assistant Examiner—Ricky Pham

(74) *Attorney, Agent, or Firm*—SAIDMAN DesignLaw
Group

(57) **CLAIM**

The ornamental design for utensil system, as shown and described.

DESCRIPTION

This application is related to co-pending utility application: Application Ser. No. 11/640,699, filed Dec. 18, 2006, and titled "Utensil System" to Ran LERNER.

FIG. 1 is a front view of a utensil system showing my new design;

FIG. 2 is a front view of a rack thereof shown separately for completeness of illustration;

FIG. 3 is a right-side view thereof, the left-side view being a mirror image thereof shown separately for completeness of illustration;

FIG. 4 is a top view thereof, the bottom view being identical thereto shown separately for completeness of illustration;

FIG. 5 is a perspective view thereof shown separately for completeness of illustration;

FIG. 6 is a perspective view thereof, where the rack is in an alternative position shown separately for completeness of illustration.

FIG. 7 is a front view of a knife of FIG. 1 shown separately for completeness of illustration;

FIG. 8 is a right-side view thereof, the left-side view being a mirror image shown separately for completeness of illustration;

FIG. 9 is a front view of a fork of FIG. 1 shown separately for completeness of illustration;

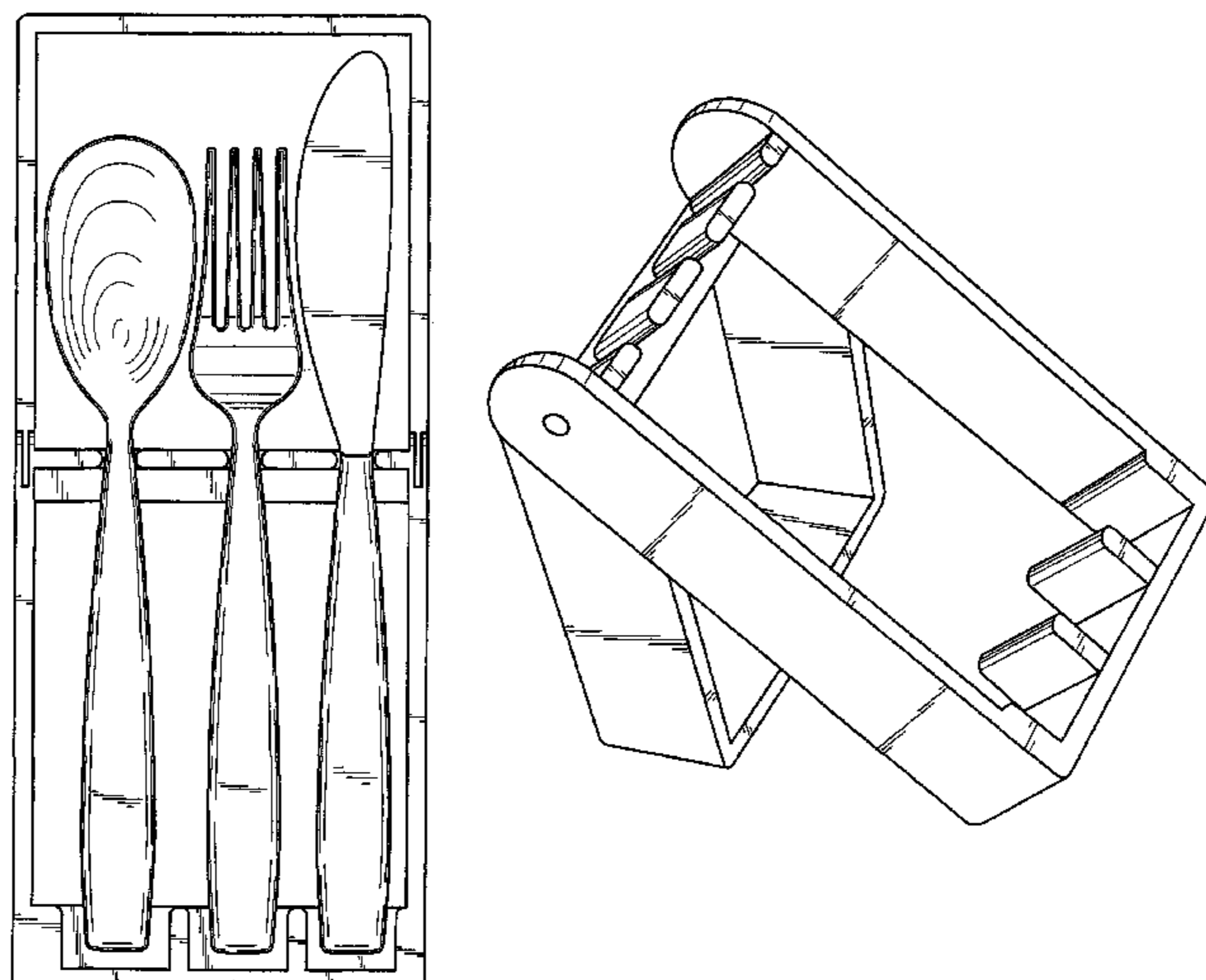
FIG. 10 is a right-side view thereof, the left-side view being a mirror image shown separately for completeness of illustration;

FIG. 11 is a front view of a spoon of FIG. 1 shown separately for completeness of illustration; and,

FIG. 12 is a right-side view thereof, the left-side view being a mirror image shown separately for completeness of illustration.

Applicant regards his design as the display unit for flatware and each utensil shown in FIGS. 1-12, and all portions of the display unit for flatware and utensil.

1 Claim, 8 Drawing Sheets



US D553,915 S

Page 2

U.S. PATENT DOCUMENTS

1,441,437	A	1/1923	Lee			
1,594,401	A	8/1926	Zeitung			
1,615,030	A	1/1927	Nock			
1,666,668	A	4/1928	Purchas			
1,701,062	A	2/1929	Burnham			
1,720,274	A *	7/1929	Holden	206/755	
D211,899	S *	8/1968	Kreigel	D7/637	
3,829,350	A *	8/1974	Davis, Jr.	428/134	
D233,830	S *	12/1974	Davis, Jr.	D7/645	
3,915,213	A	10/1975	Graham, Jr.			
4,666,036	A *	5/1987	Bourbon	206/45.23	
5,011,017	A	4/1991	Giesen			
5,732,820	A *	3/1998	Tsai	206/369	
D401,452	S *	11/1998	Kornbluh	D6/467	
D440,831	S *	4/2001	Welch et al.	D7/645	
D455,936	S *	4/2002	Welch	D7/645	
6,581,774	B1	6/2003	Galafassi et al.			
D497,083	S *	10/2004	Welch	D7/645	
D498,393	S *	11/2004	Welch	D7/645	
D511,657	S *	11/2005	Junko	D7/653	
D540,066	S *	4/2007	Welch	D6/469	

* cited by examiner

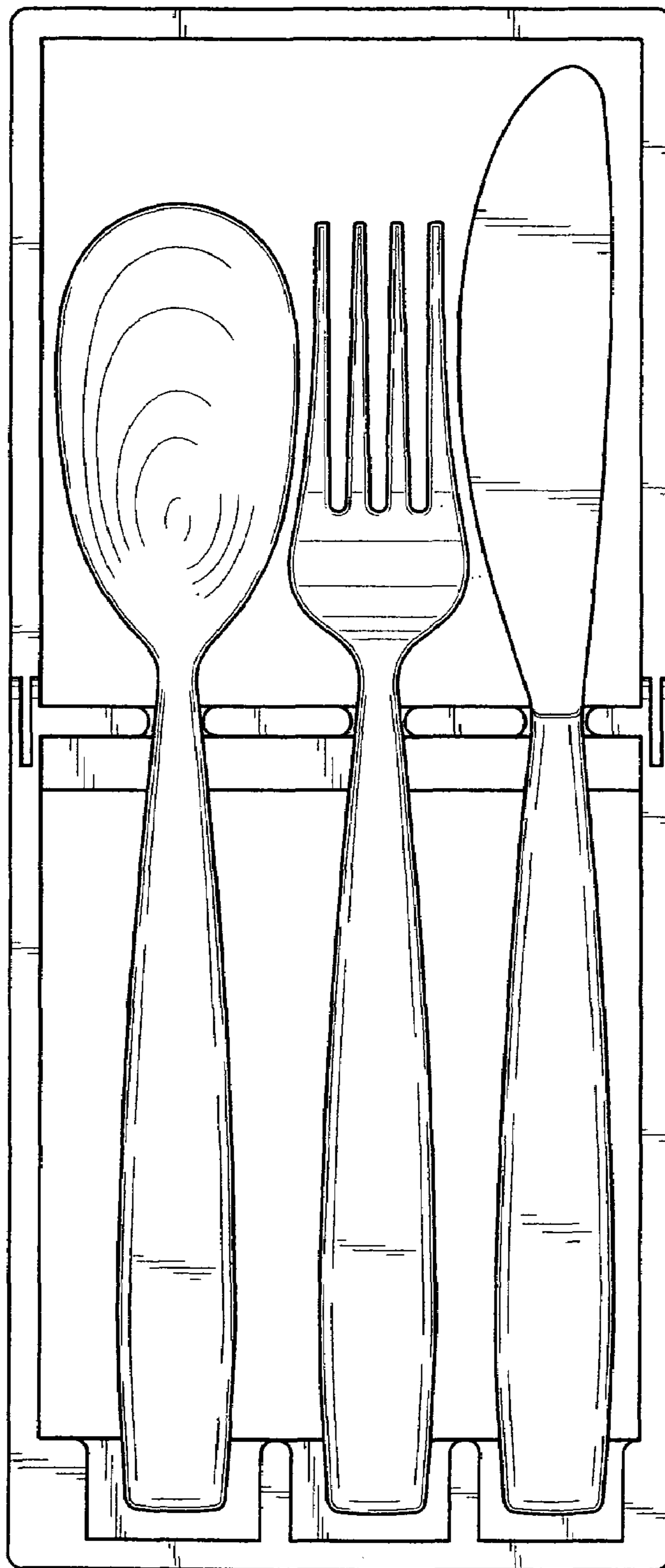


Fig. 1

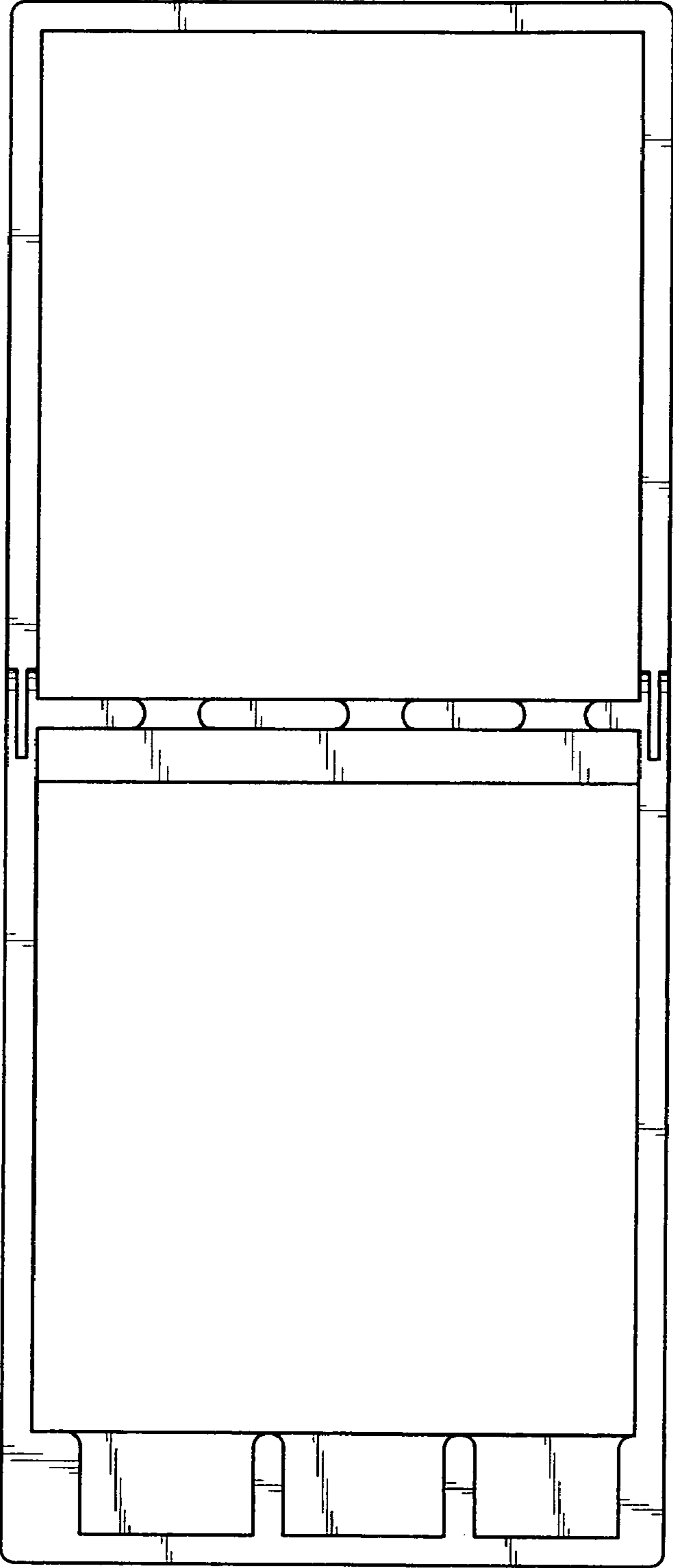


Fig. 2

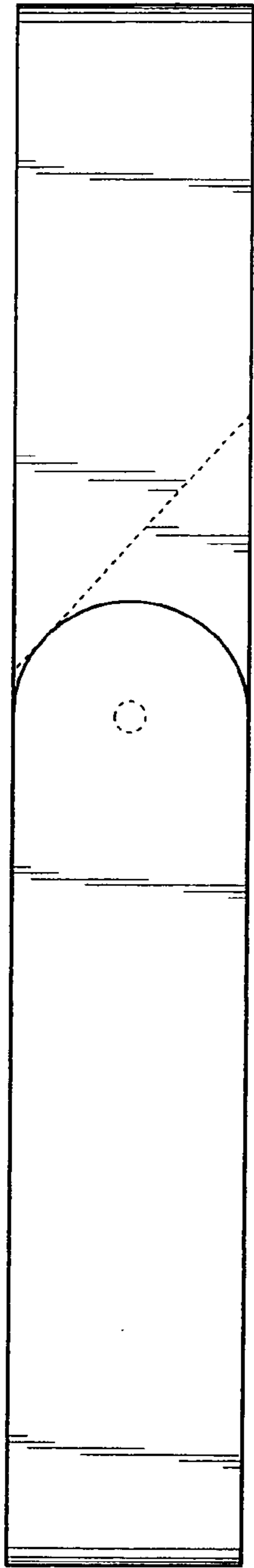


Fig. 3

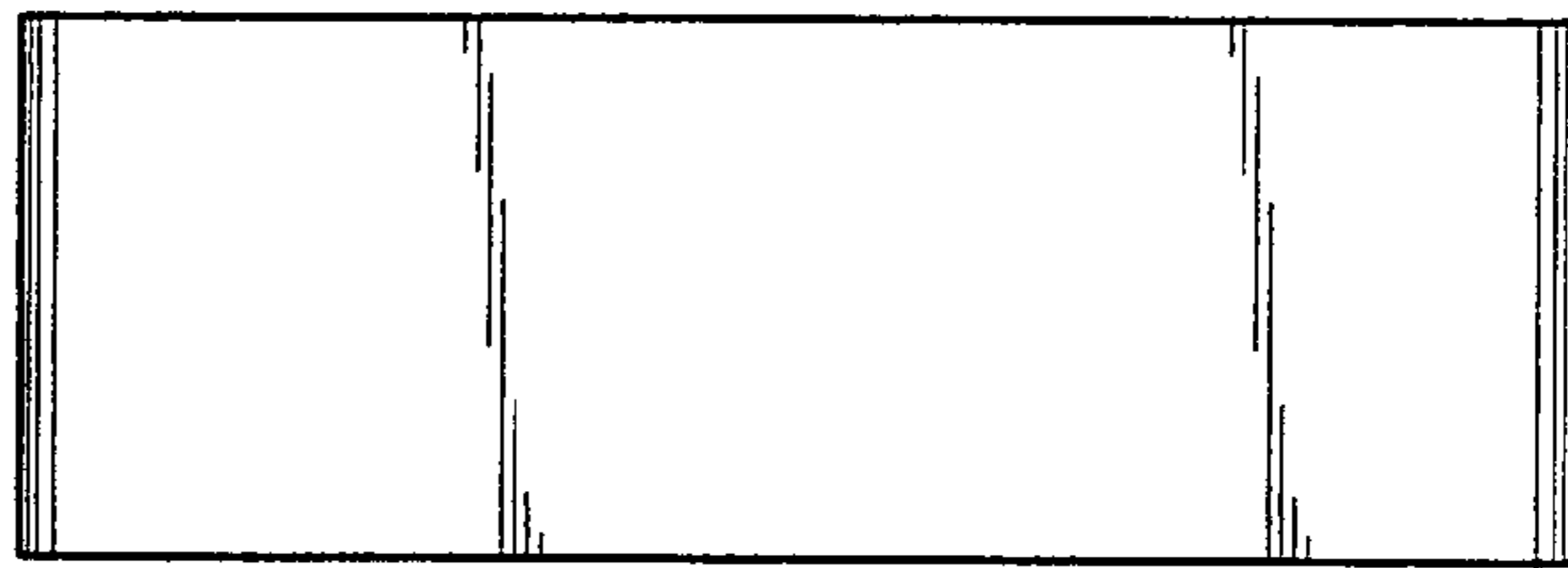


Fig. 4

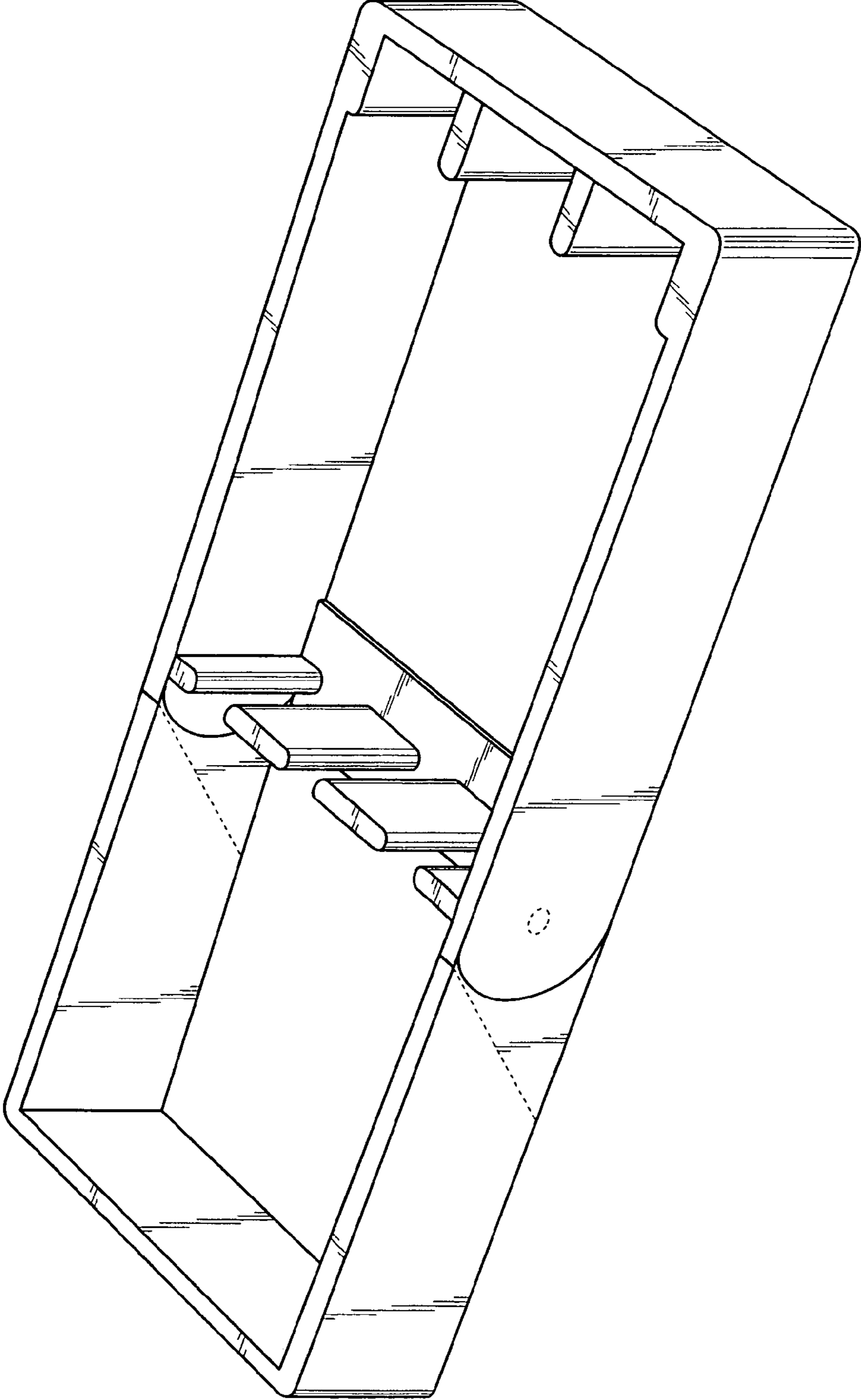


Fig. 5

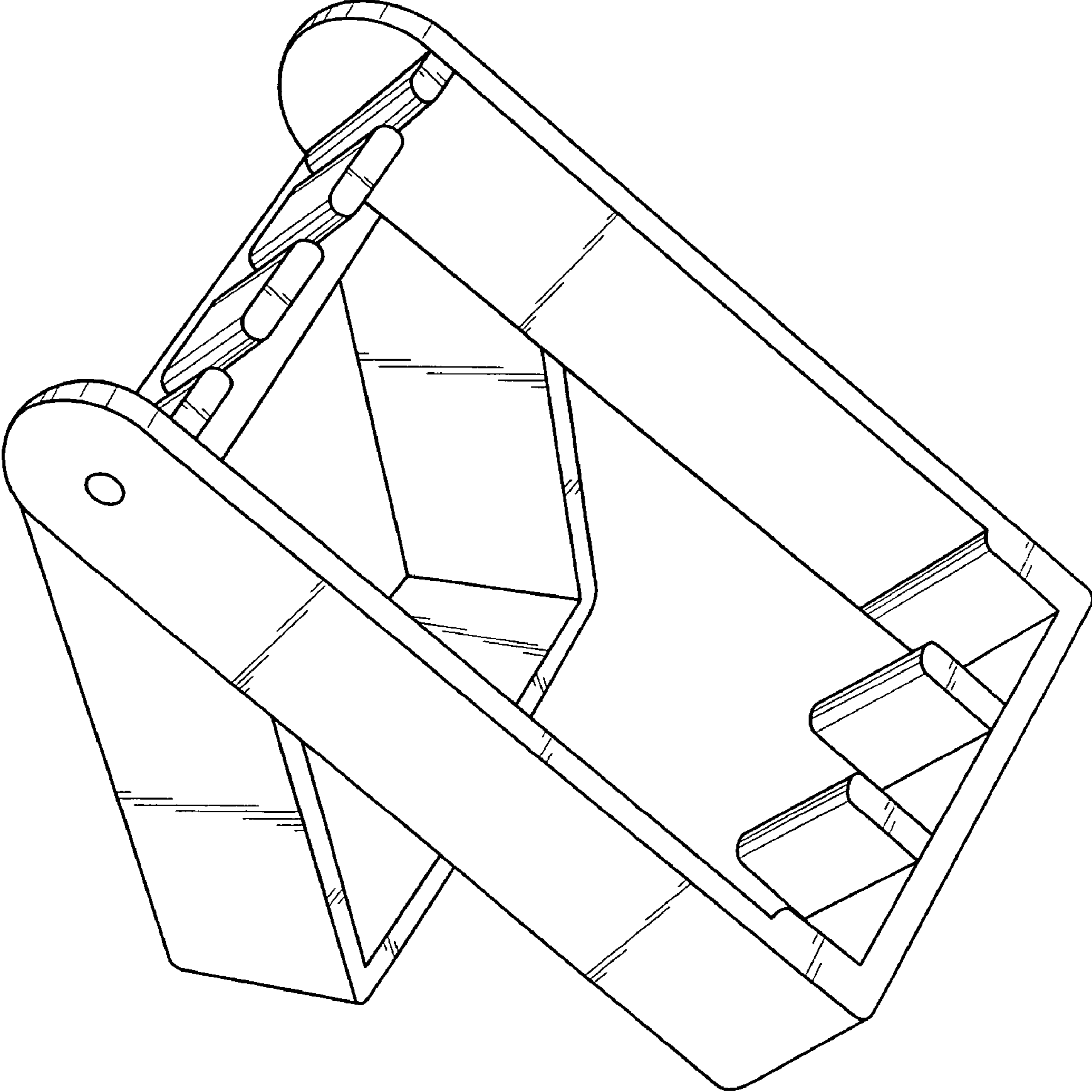


Fig. 6

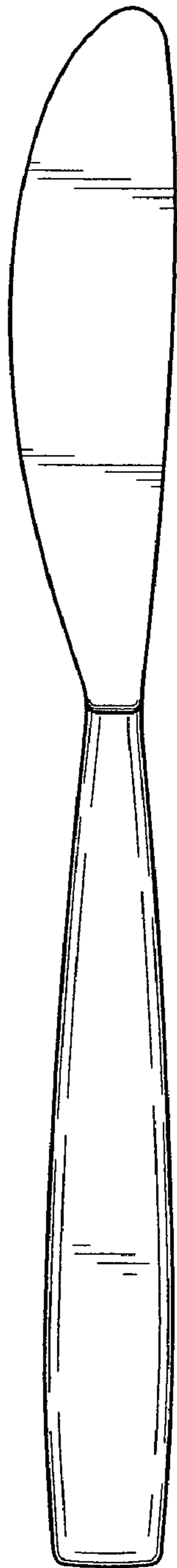


Fig. 7



Fig. 8

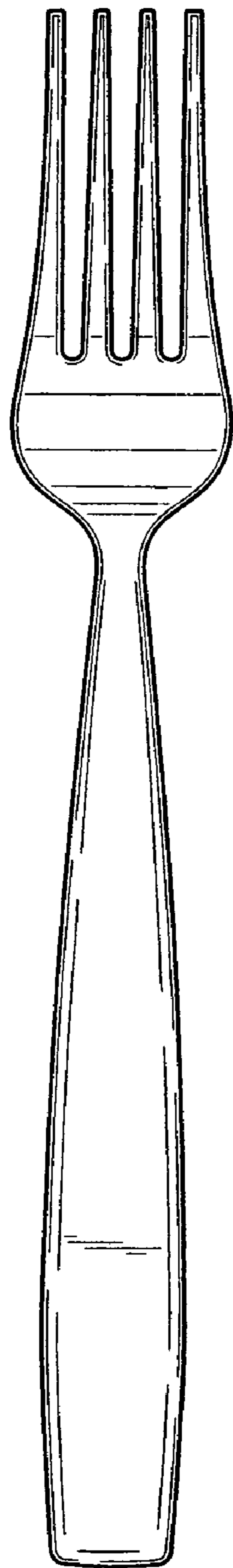


Fig. 9

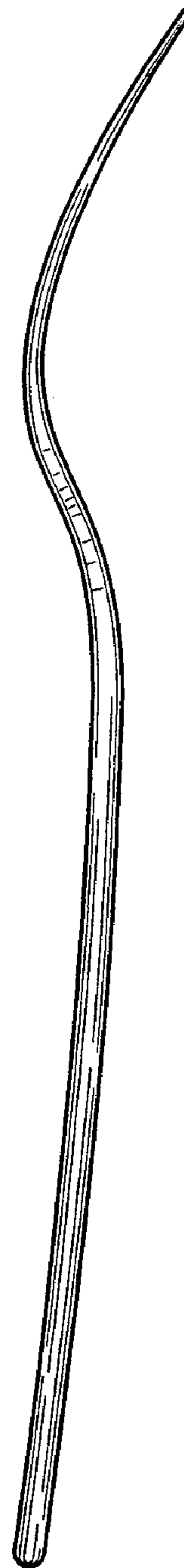


Fig. 10

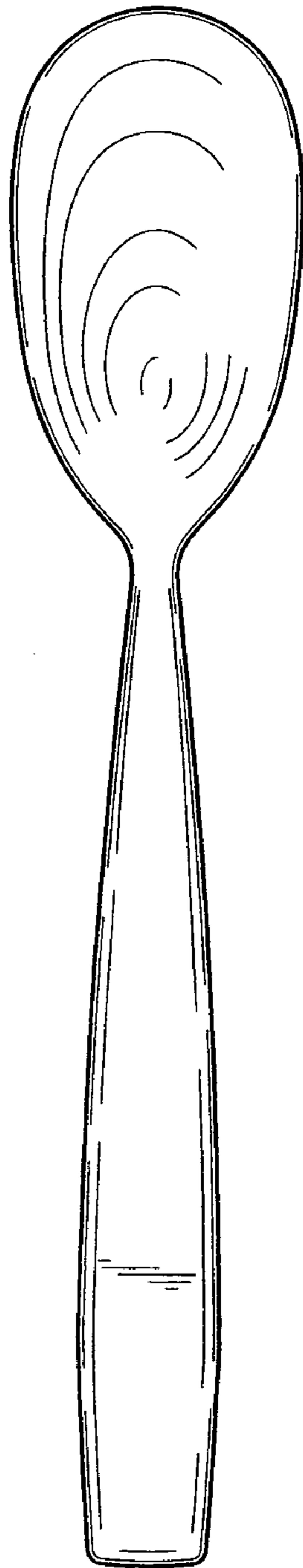


Fig. 11

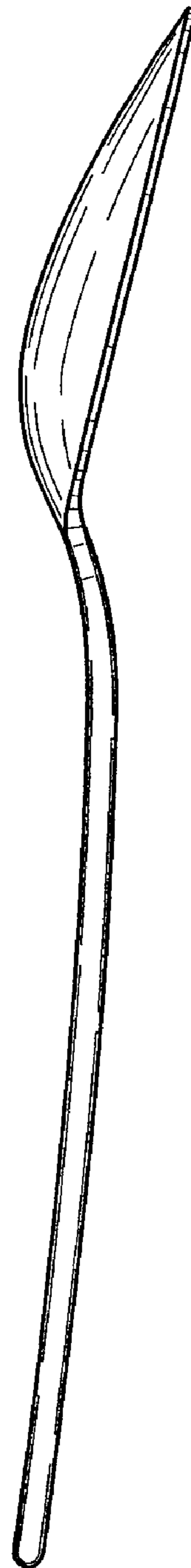


Fig. 12