



US00D553911S

(12) **United States Design Patent**  
**Bodum**

(10) **Patent No.:** **US D553,911 S**

(45) **Date of Patent:** **\*\* Oct. 30, 2007**

(54) **DOUBLE WALL DRINKING GLASS**

(75) Inventor: **Jørgen Bodum**, St. Niklausen (CH)

(73) Assignee: **Pi-Design AG**, Triengen (CH)

(\*\*) Term: **14 Years**

(21) Appl. No.: **29/280,168**

(22) Filed: **May 18, 2007**

(30) **Foreign Application Priority Data**

Nov. 20, 2006 (DK) ..... DA 2006 00308

(51) **LOC (8) Cl.** ..... **07-01**

(52) **U.S. Cl.** ..... **D7/536; D7/509; D7/533**

(58) **Field of Classification Search** ..... D7/396.1,  
D7/396.2, 500, 509, 510, 511, 523, 524, 526-528,  
D7/530-533, 536, 538, 540, 560, 565, 584;  
D9/516, 519, 549, 555, 776, 778; 215/387,  
215/DIG. 7; 220/560, 592.17, 703; 229/400,  
229/406

See application file for complete search history.

(56) **References Cited**

**U.S. PATENT DOCUMENTS**

D69,868 S *	4/1926	Bell	.....	D7/528
D104,524 S *	5/1937	Bottome	.....	D11/153
D108,957 S *	3/1938	Kelly	.....	D7/532
2,747,387 A *	5/1956	Sweem	.....	215/382
D227,134 S *	6/1973	Gulotta	.....	D7/536
D283,387 S *	4/1986	Durand	.....	D7/523
D347,763 S *	6/1994	Kleckauskas et al.	.....	D7/533

D468,968 S *	1/2003	Lipson	.....	D7/507
D475,243 S *	6/2003	Trazzi	.....	D7/532
D479,436 S *	9/2003	Ortiz Gispert	.....	D7/509
D482,237 S *	11/2003	Wellner	.....	D7/509
D484,061 S *	12/2003	Quinn	.....	D9/557
D486,695 S *	2/2004	Chuang	.....	D7/532

\* cited by examiner

*Primary Examiner*—Philip S. Hyder

*Assistant Examiner*—Cynthia Underwood

(74) *Attorney, Agent, or Firm*—Cowan, Liebowitz & Latman, PC

(57) **CLAIM**

The ornamental design for a double wall drinking glass, as shown and described.

**DESCRIPTION**

FIG. 1 is a perspective view of a first embodiment of the double wall drinking glass showing my design thereof;

FIG. 2 is a front view thereof;

FIG. 3 is a back view thereof;

FIG. 4 is a right side view thereof;

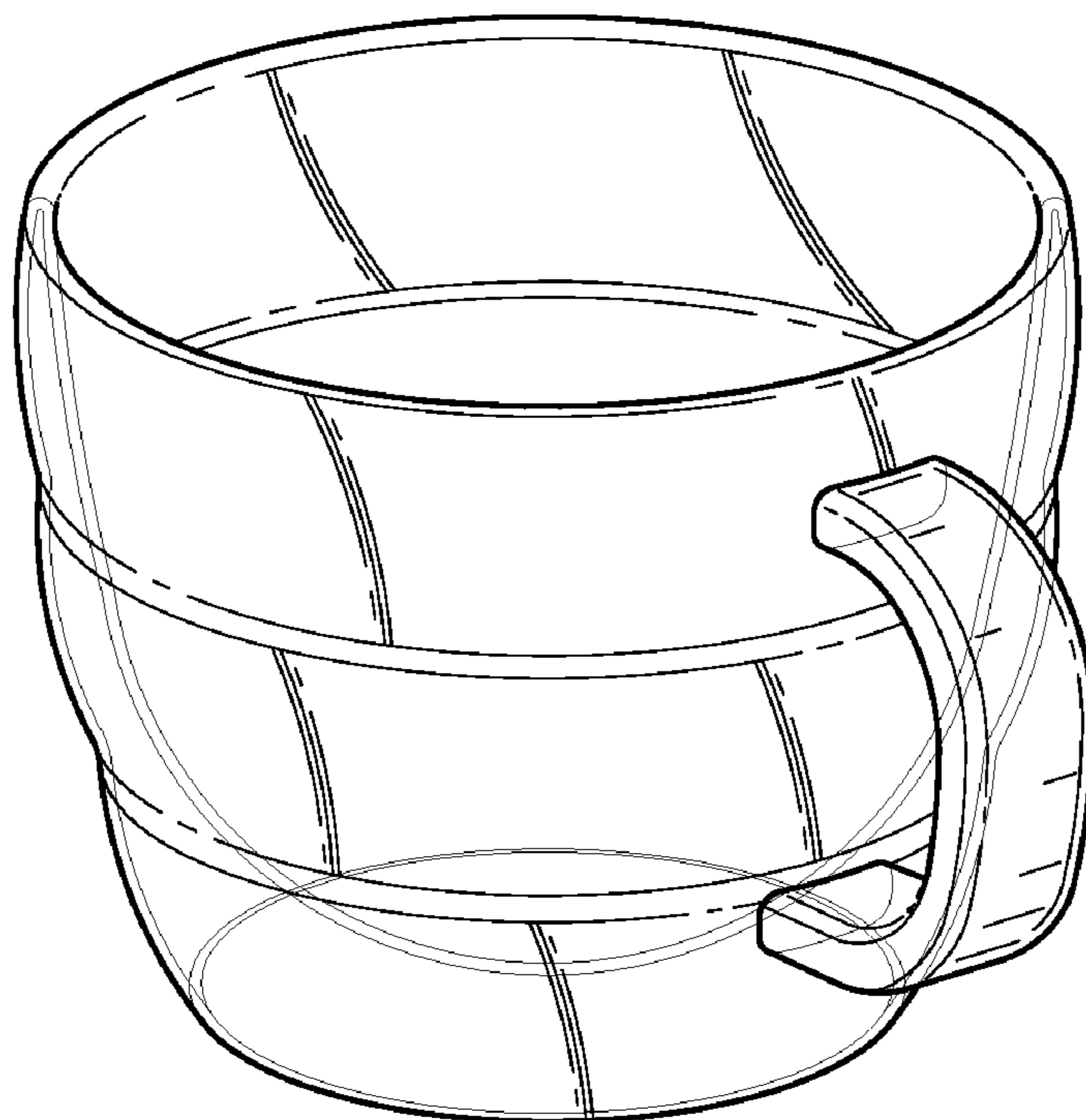
FIG. 5 is a left side view thereof;

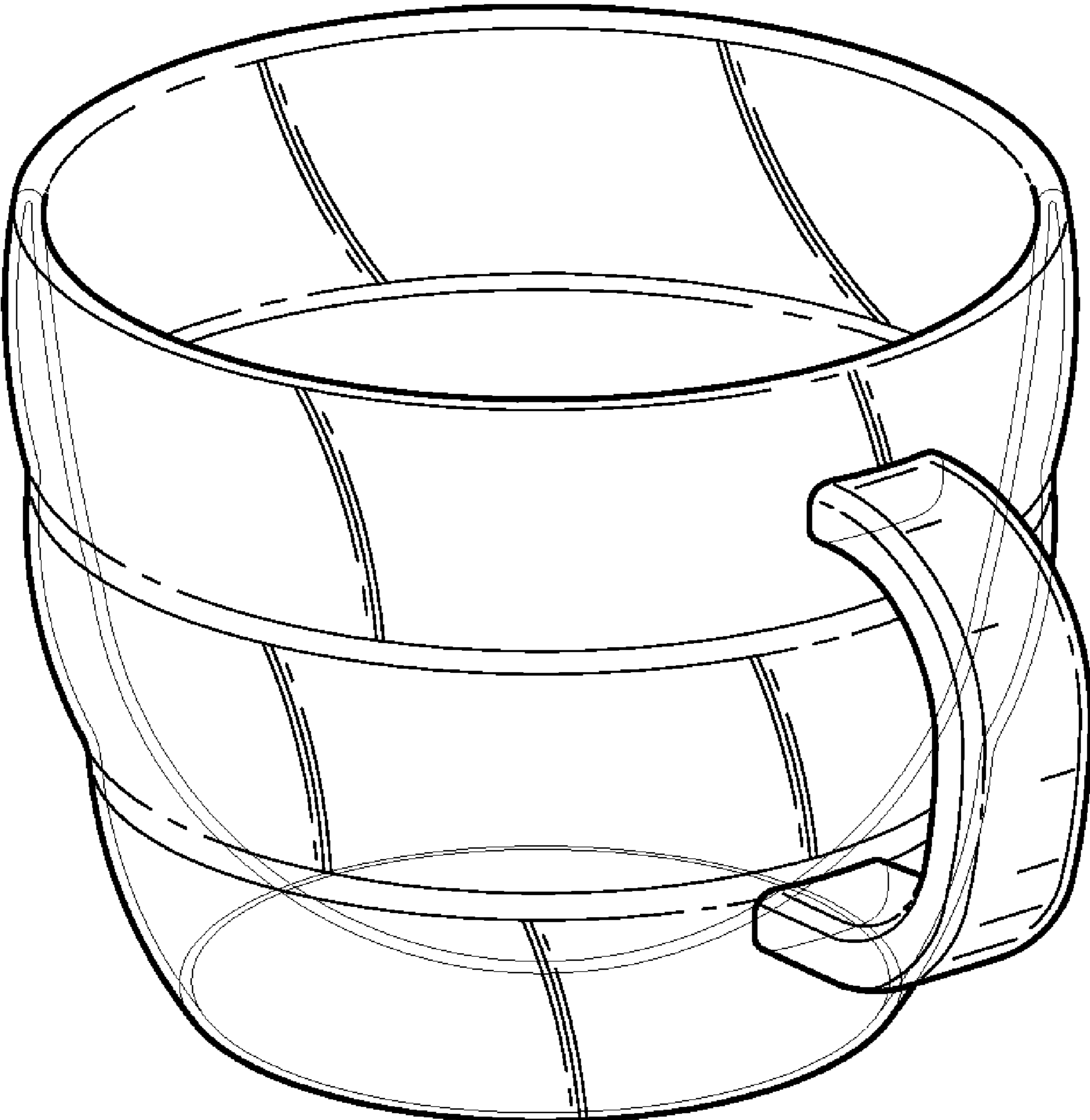
FIG. 6 is a top view thereof;

FIG. 7 is a bottom view thereof; and,

FIG. 8 is a cross-sectional view thereof taken along line 8—8 of FIG. 6.

**1 Claim, 8 Drawing Sheets**





**FIG. 1**

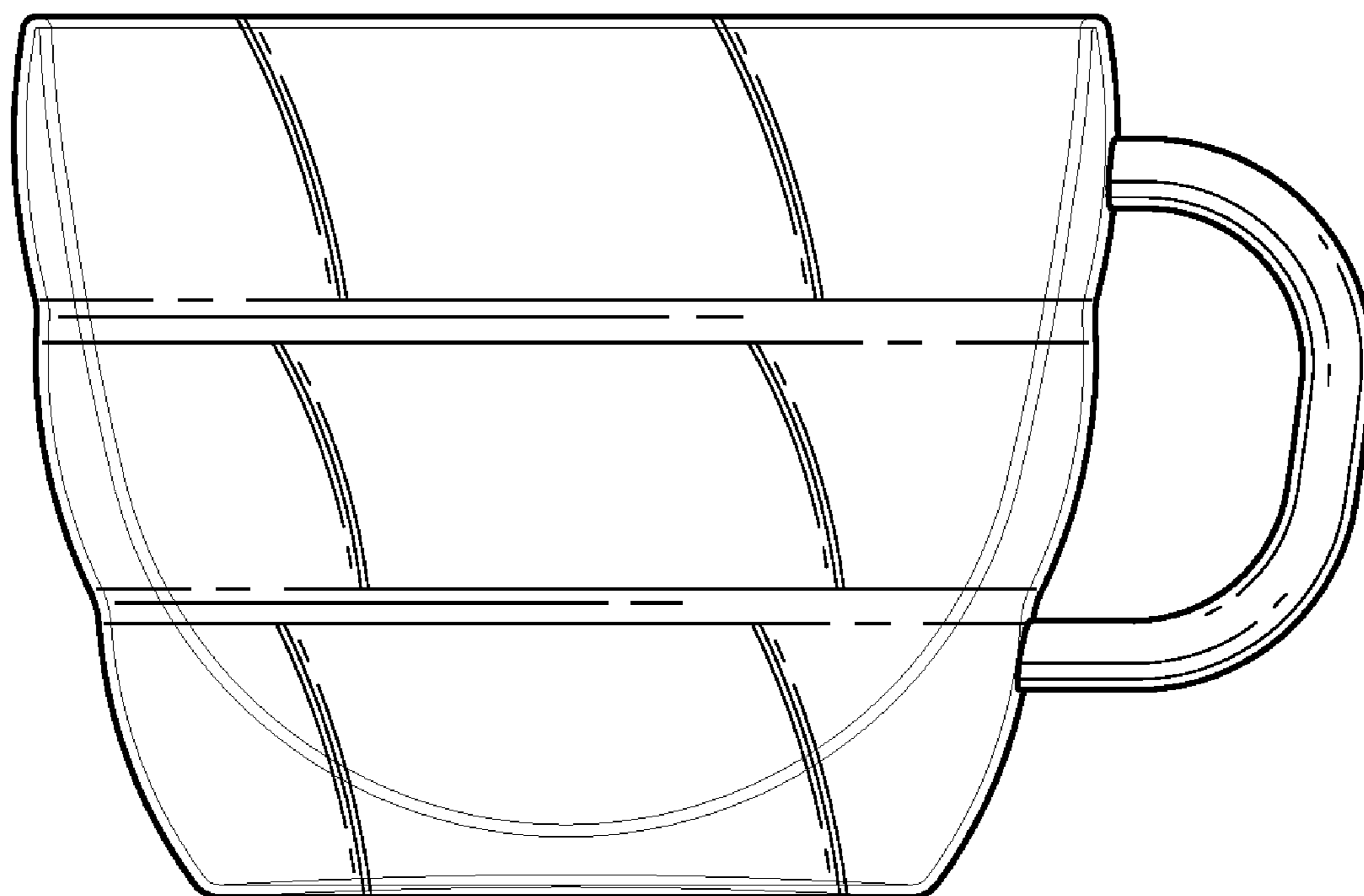


FIG. 2

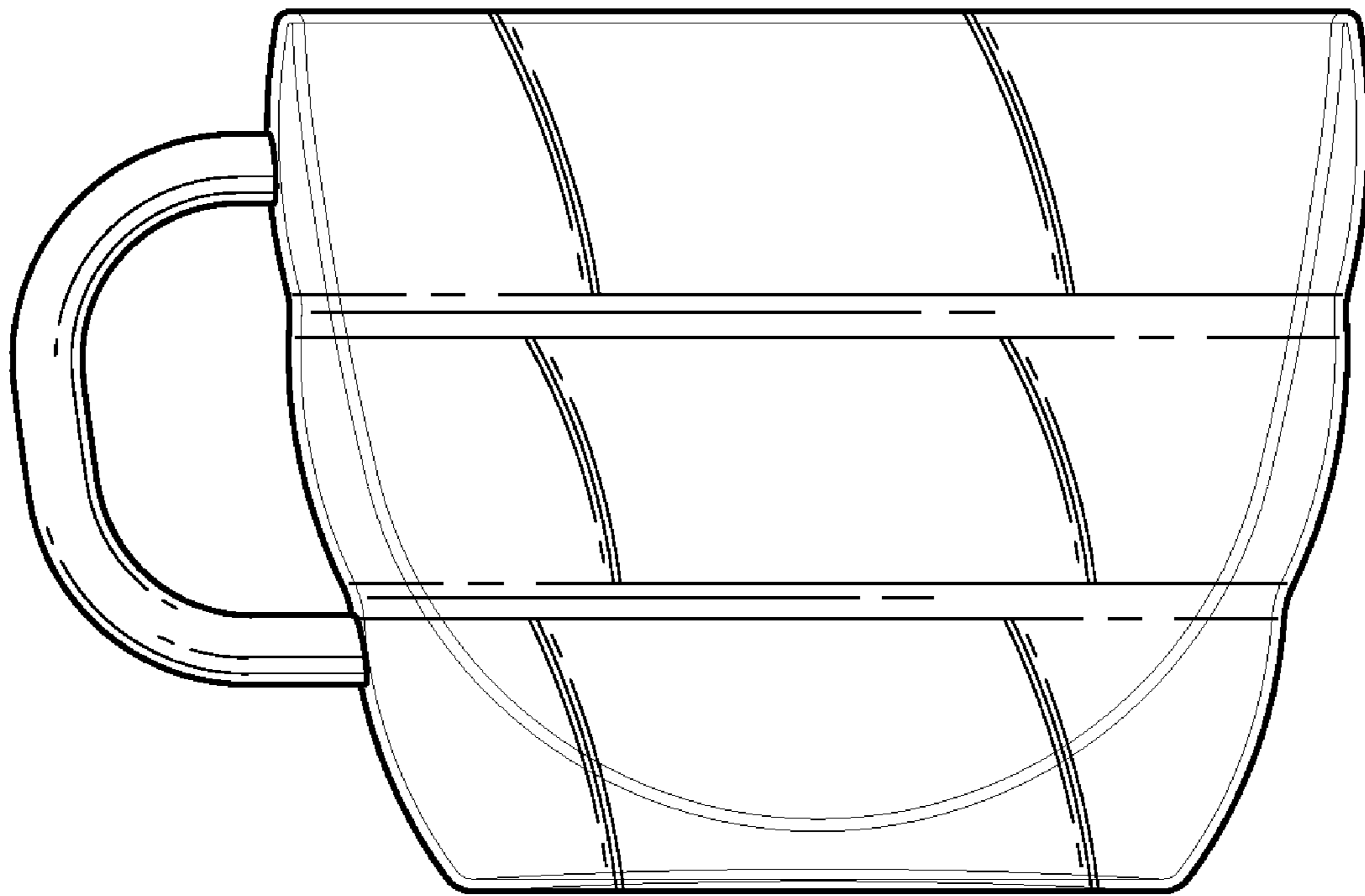


FIG. 3

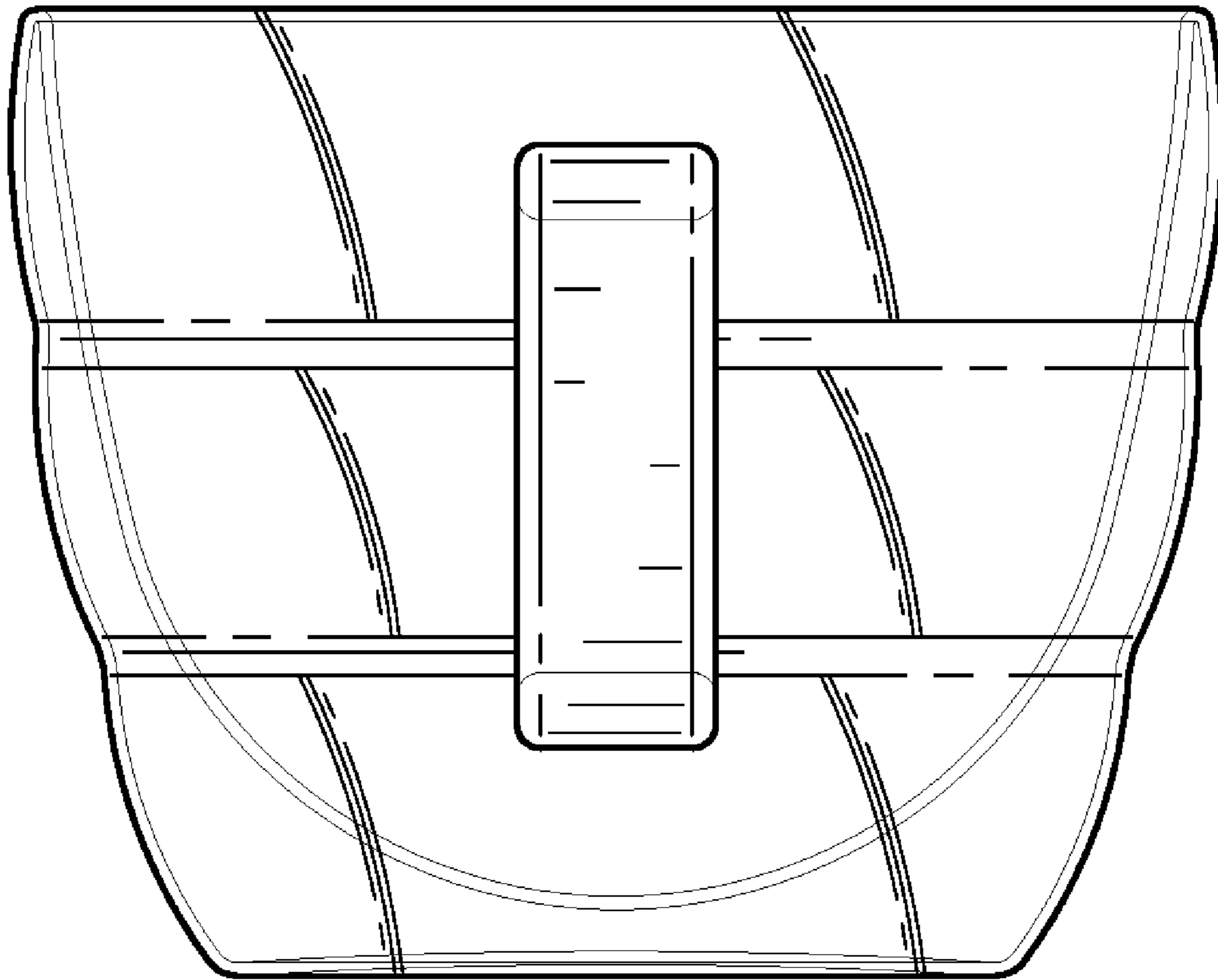


FIG. 4

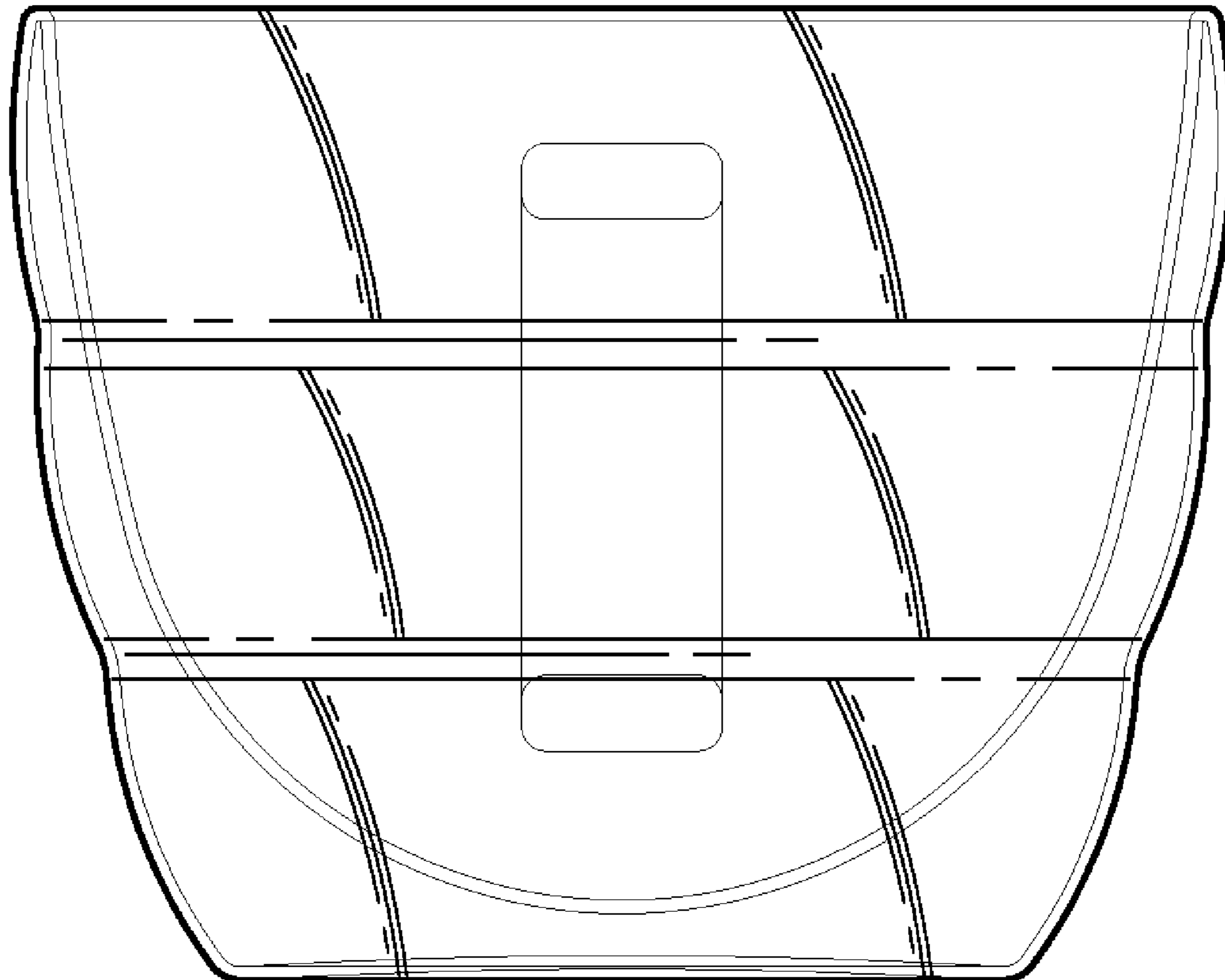


FIG. 5

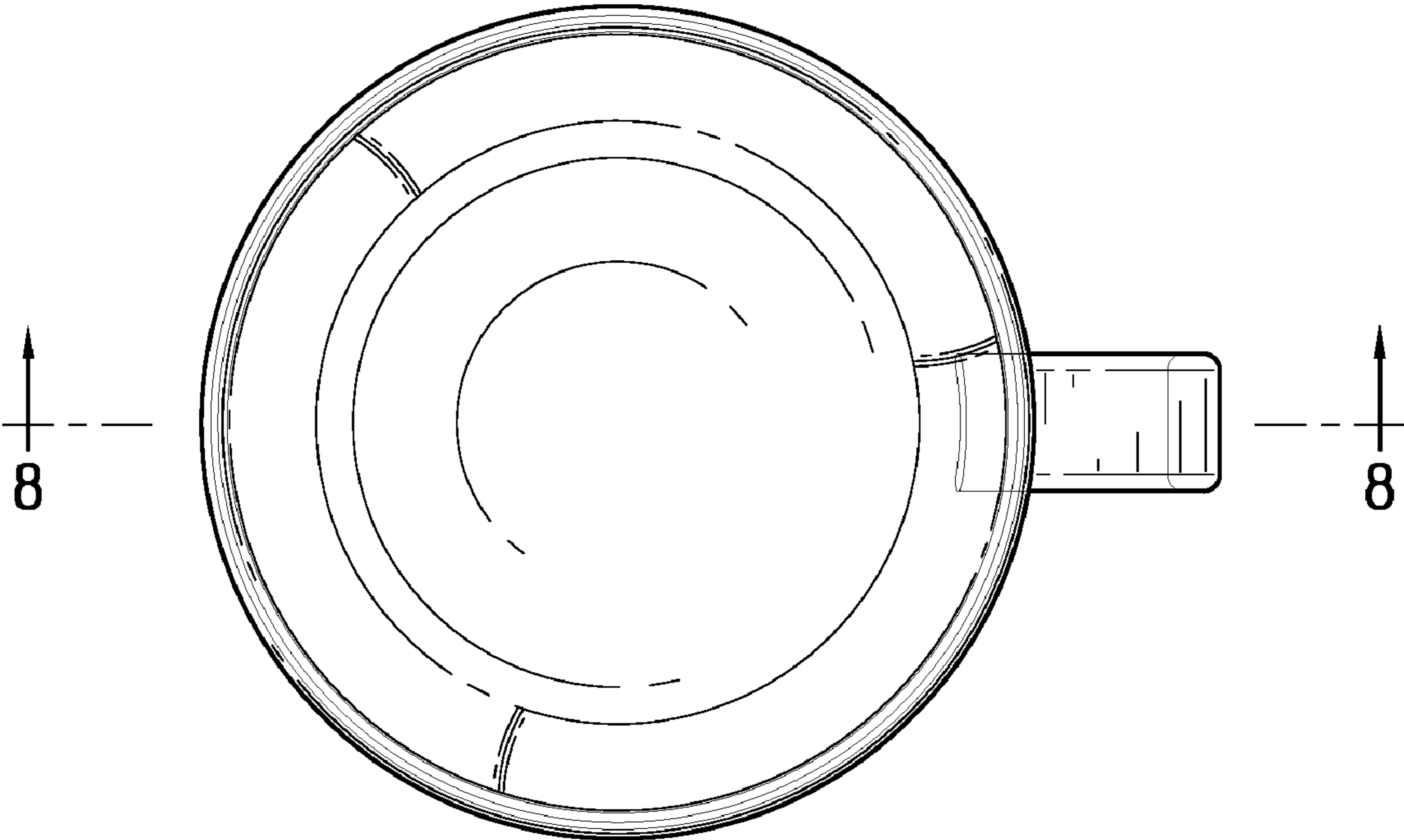


FIG. 6

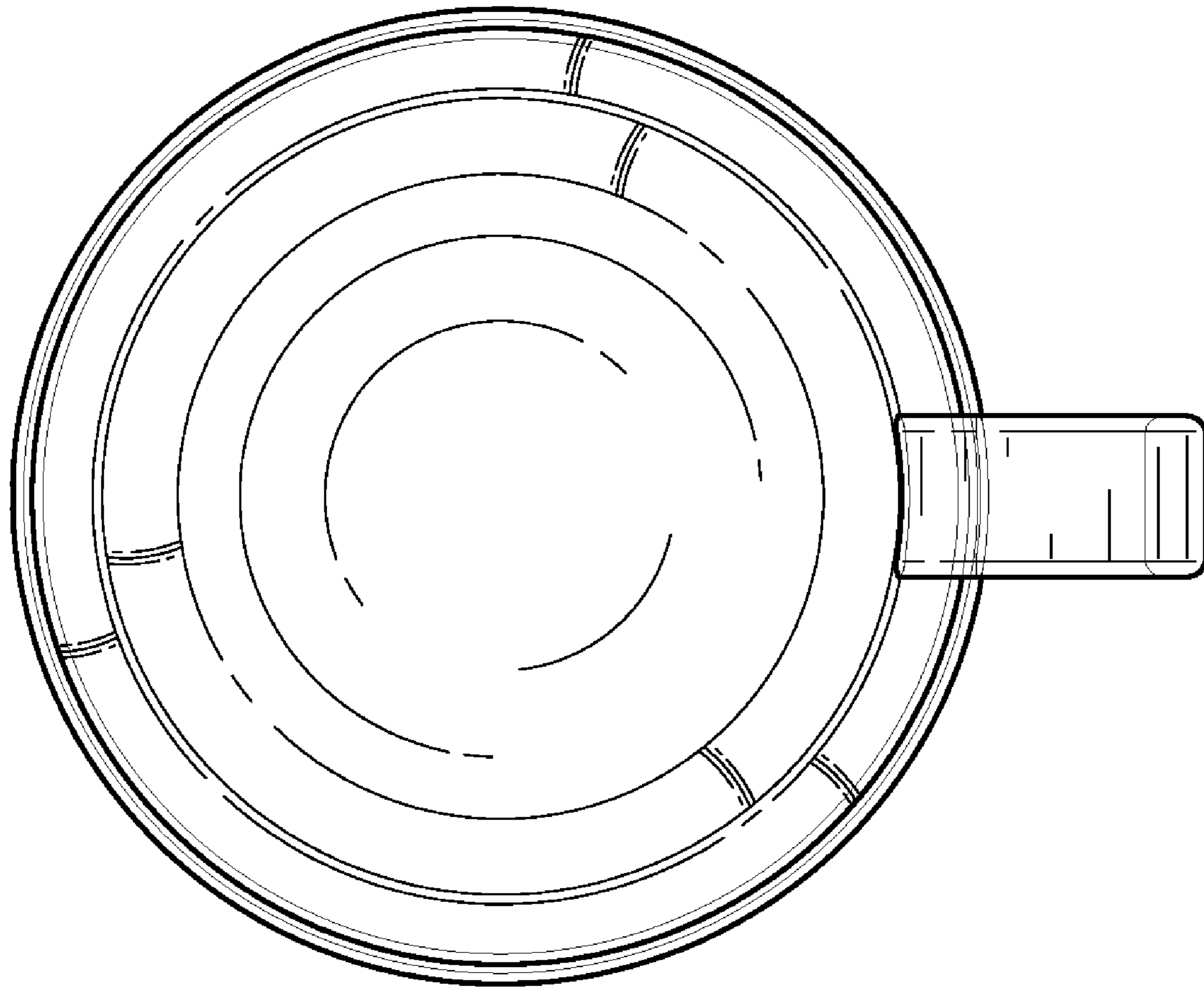


FIG. 7



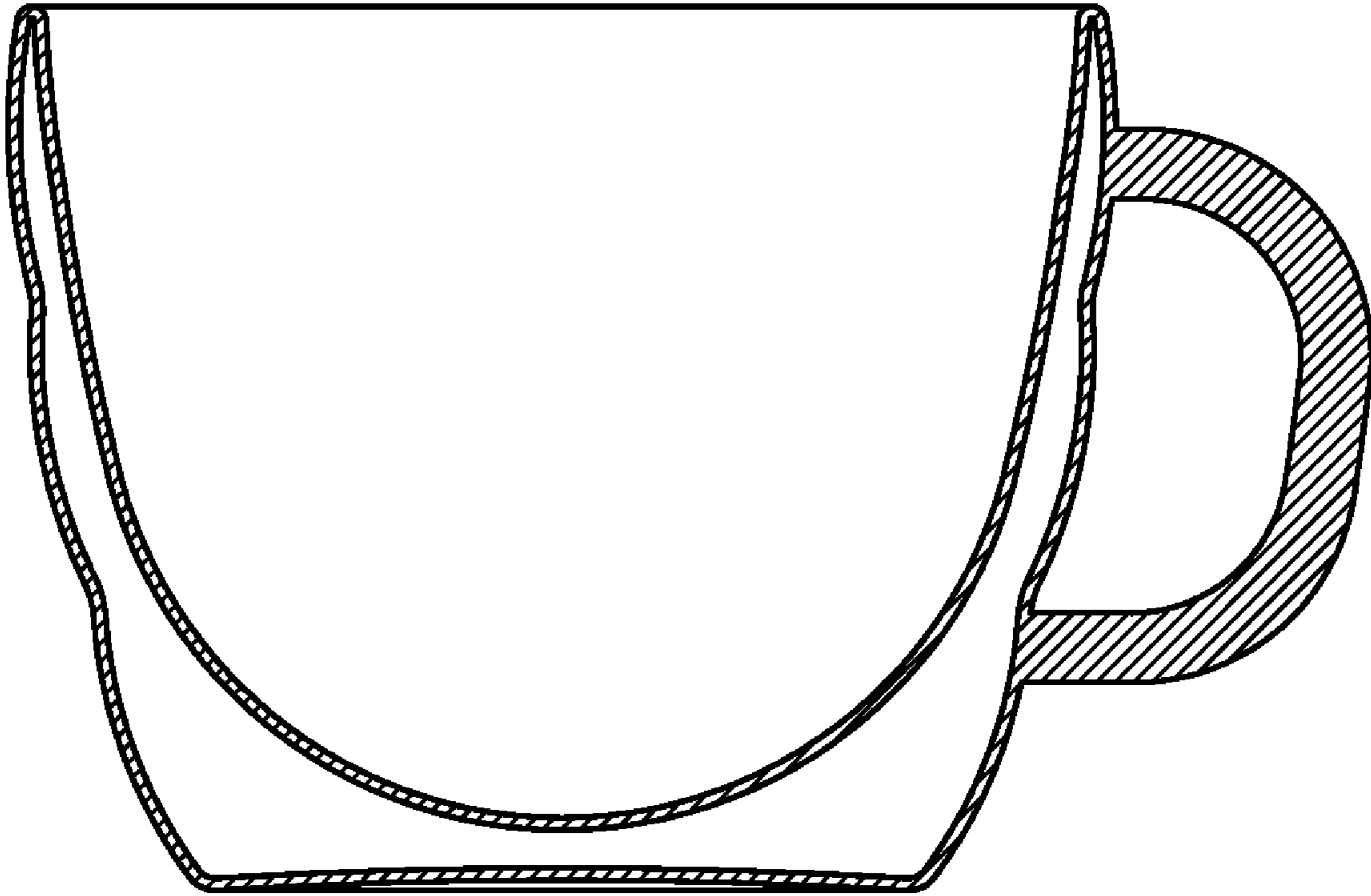


FIG. 8