



US00D553904S

(12) **United States Design Patent** (10) **Patent No.:** **US D553,904 S**
Romandy (45) **Date of Patent:** **** Oct. 30, 2007**

(54) **BLENDER** 3,901,484 A 8/1975 Ernster
 4,551,026 A 11/1985 Cristante
 (75) Inventor: **Mark K. Romandy**, Midlothian, VA D336,590 S * 6/1993 Barnard D7/378
 (US) D339,715 S 9/1993 Barrault
 D347,144 S * 5/1994 Brady D7/413
 D417,815 S 12/1999 Endres
 (73) Assignee: **Hamilton Beach/Proctor-Silex, Inc.**, D444,344 S 7/2001 Barthelemy et al.
 Glen Allen, VA (US) D473,100 S 4/2003 Sakai et al.
 D478,468 S 8/2003 Holderfield et al.
 (**) Term: **14 Years** D484,357 S 12/2003 Seum et al.
 6,966,690 B2 11/2005 Yen
 (21) Appl. No.: **29/277,544** D512,265 S 12/2005 McCurrach
 D525,481 S * 7/2006 Kassenaar D7/378
 (22) Filed: **Mar. 1, 2007** 2006/0018189 A1 * 1/2006 Chang Chien 366/205

(51) **LOC (8) Cl.** **31-00**
 (52) **U.S. Cl.** **D7/378**
 (58) **Field of Classification Search** D7/300.1,
 D7/306, 313, 372-386, 412, 413, 665; D14/413;
 74/16; 99/509-511; 241/30, 33, 37.5, 101.01-101.02,
 241/166-169.1, 274-278.2, 282.1-282.2,
 241/285.1-285.3, 291, 292.1, 301; 318/443;
 366/64-67, 98, 100, 129, 191, 197-201,
 366/205-207, 219-221, 241-254, 279-292,
 366/325.94, 330.4, 341-343
 See application file for complete search history.

* cited by examiner

Primary Examiner—Cathron C. Brooks
Assistant Examiner—Ricky Pham
 (74) *Attorney, Agent, or Firm*—Akin Gump Strauss Hauer & Feld LLP

(57) **CLAIM**

The ornamental design for a blender, as shown and described.

(56) **References Cited**

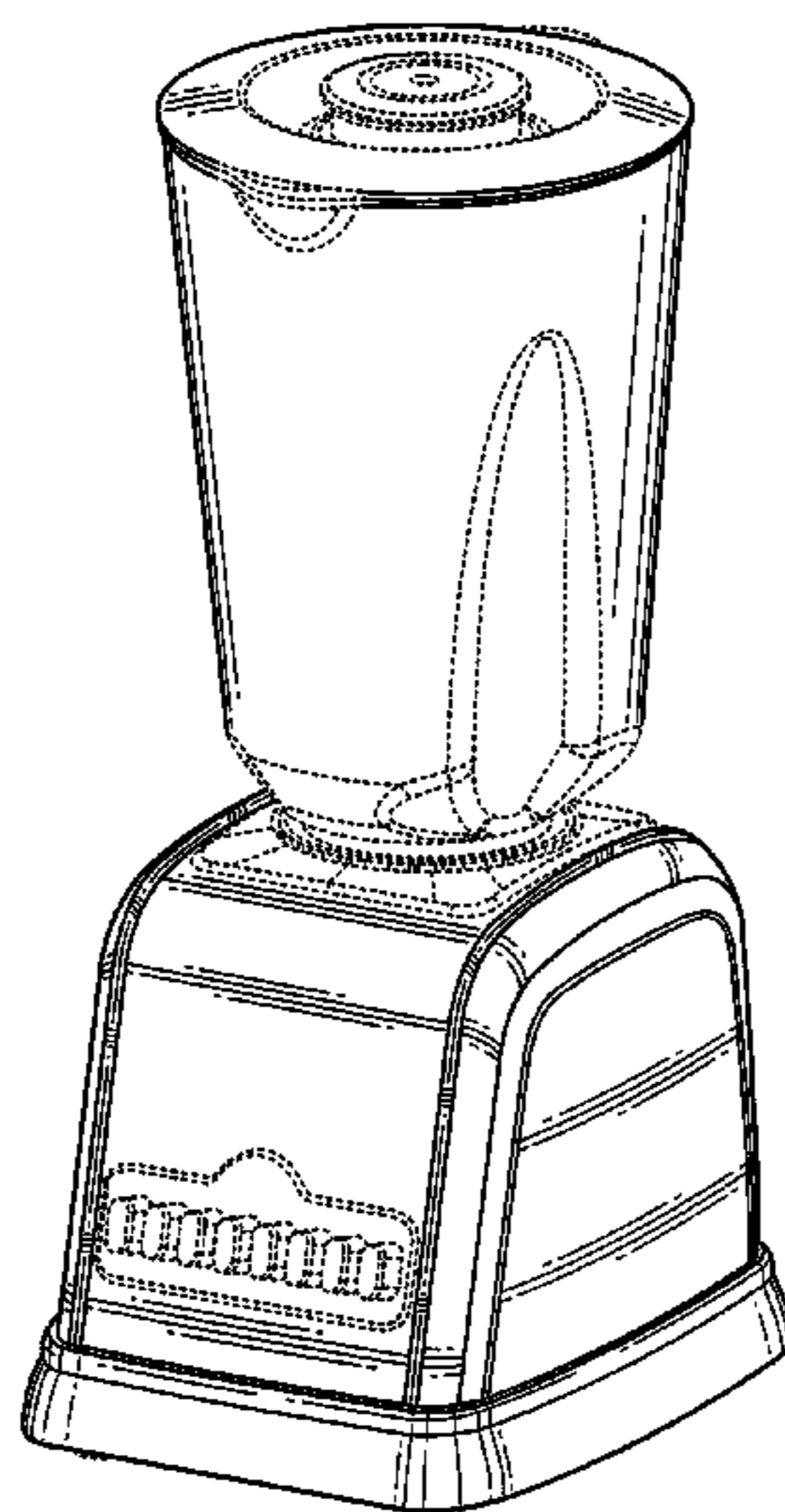
U.S. PATENT DOCUMENTS

1,445,112 A 2/1923 Titus et al.
 2,761,659 A 9/1956 Collura
 2,858,861 A 11/1958 Appleton
 D187,684 S 4/1960 Hauser
 2,940,738 A 6/1960 Posener et al.
 D200,494 S * 3/1965 Bezark D7/386
 3,176,968 A 4/1965 Appleton
 D204,117 S * 3/1966 De Sesa D7/378
 D204,224 S * 3/1966 Gantz D7/386
 3,493,214 A 2/1970 Edwards et al.
 3,493,215 A 2/1970 Edwards et al.
 3,548,280 A * 12/1970 Cockroft 318/443
 3,738,616 A 6/1973 Copeland et al.
 D228,698 S 10/1973 Barnard, Jr. et al.

DESCRIPTION

FIG. 1 is a front right perspective view of a blender in accordance with my new design;
 FIG. 2 is a front elevation view thereof;
 FIG. 3 is a left side elevation view thereof;
 FIG. 4 is a rear elevational view thereof;
 FIG. 5 is a right side elevation view thereof;
 FIG. 6 is a top plan view thereof; and,
 FIG. 7 is a bottom plan view thereof.
 The broken lines in the figures are for illustrative purposes only and form no part of the claimed design.

1 Claim, 6 Drawing Sheets



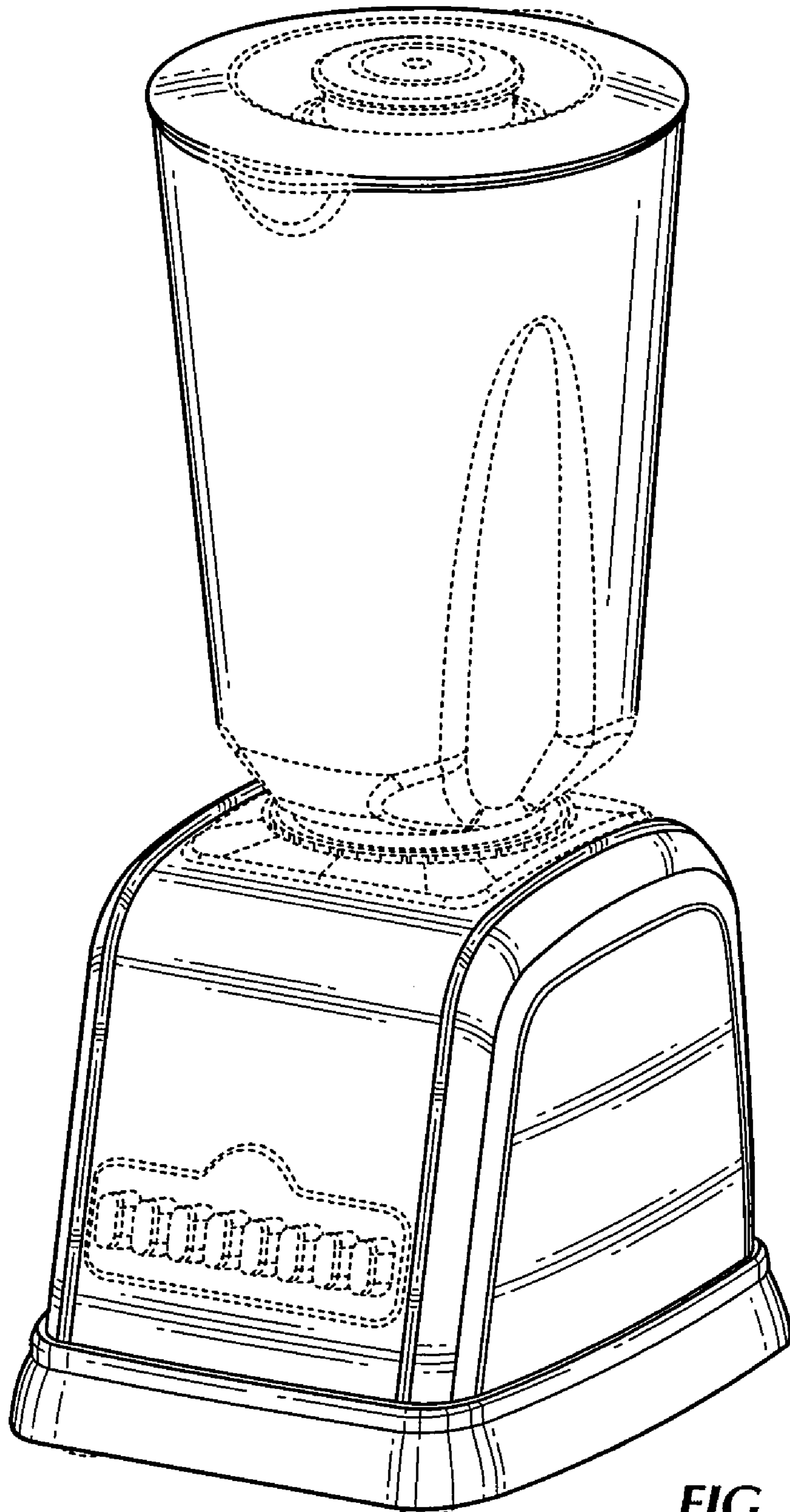


FIG. 1

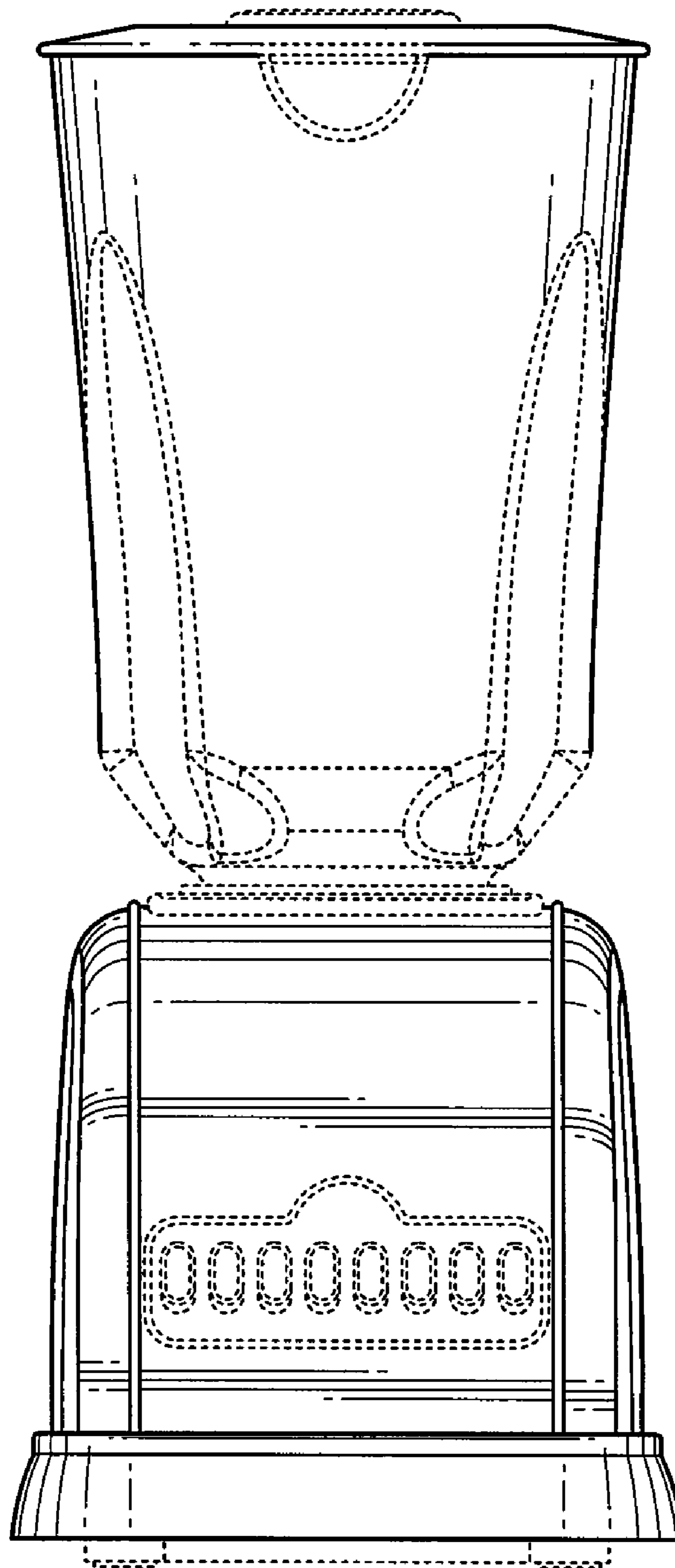


FIG. 2

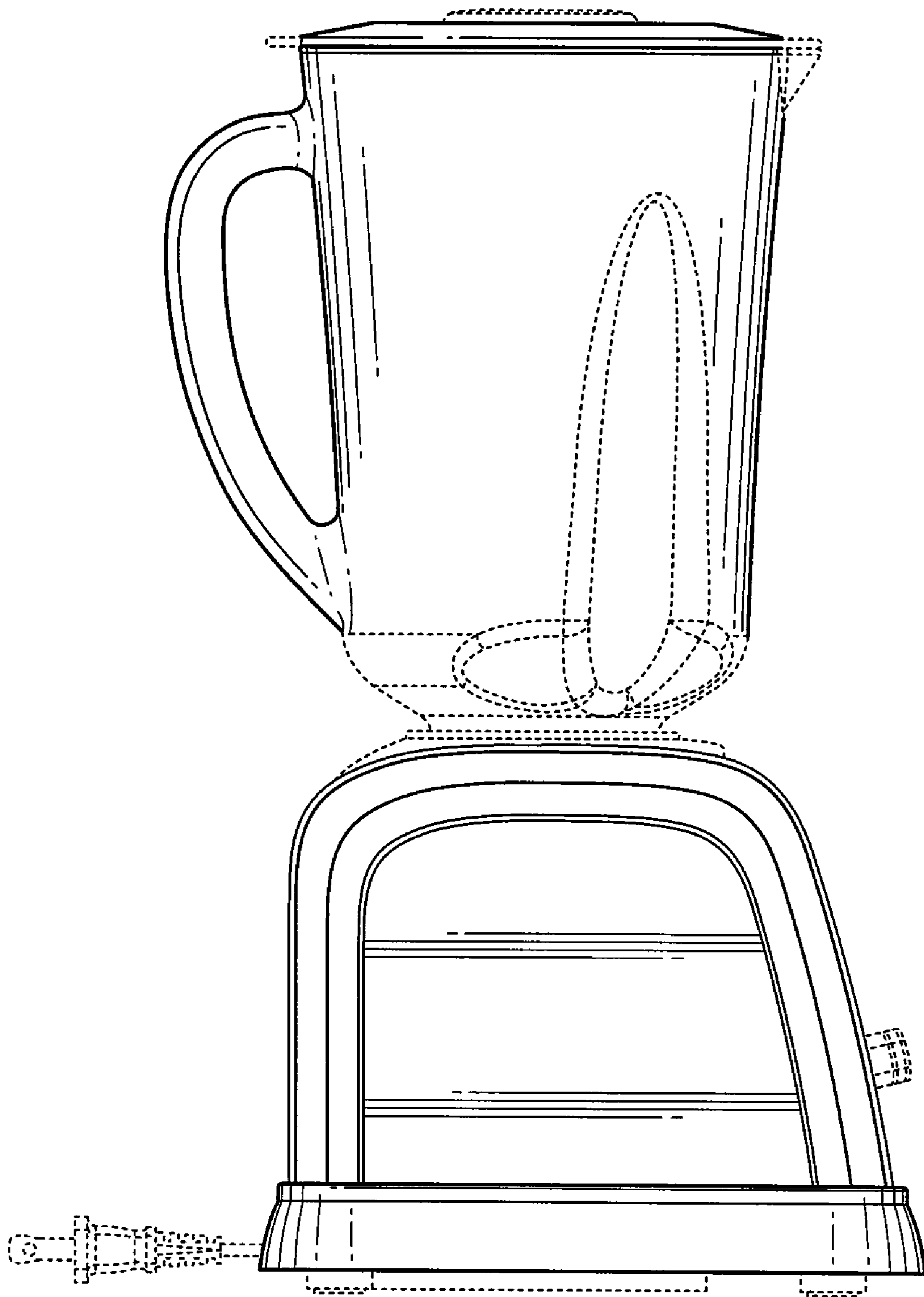


FIG. 3

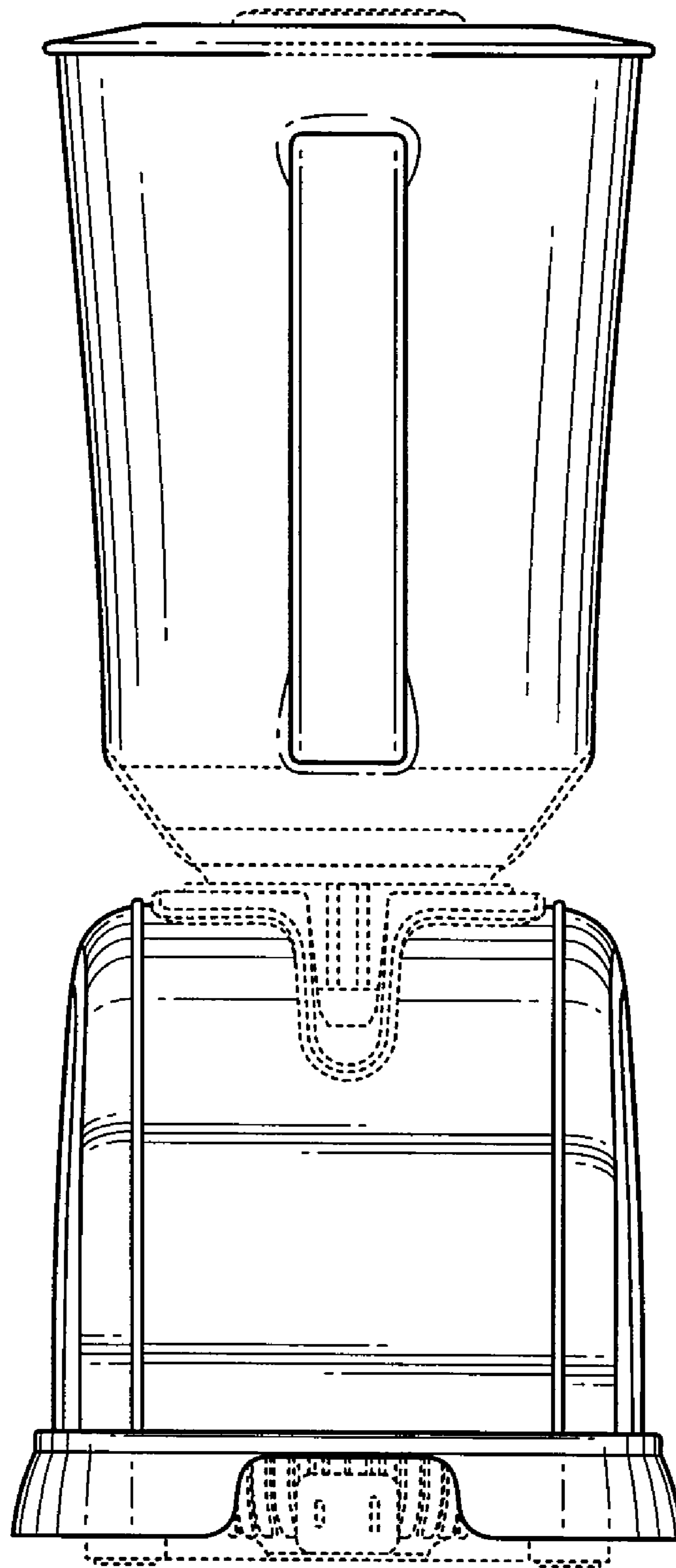


FIG. 4

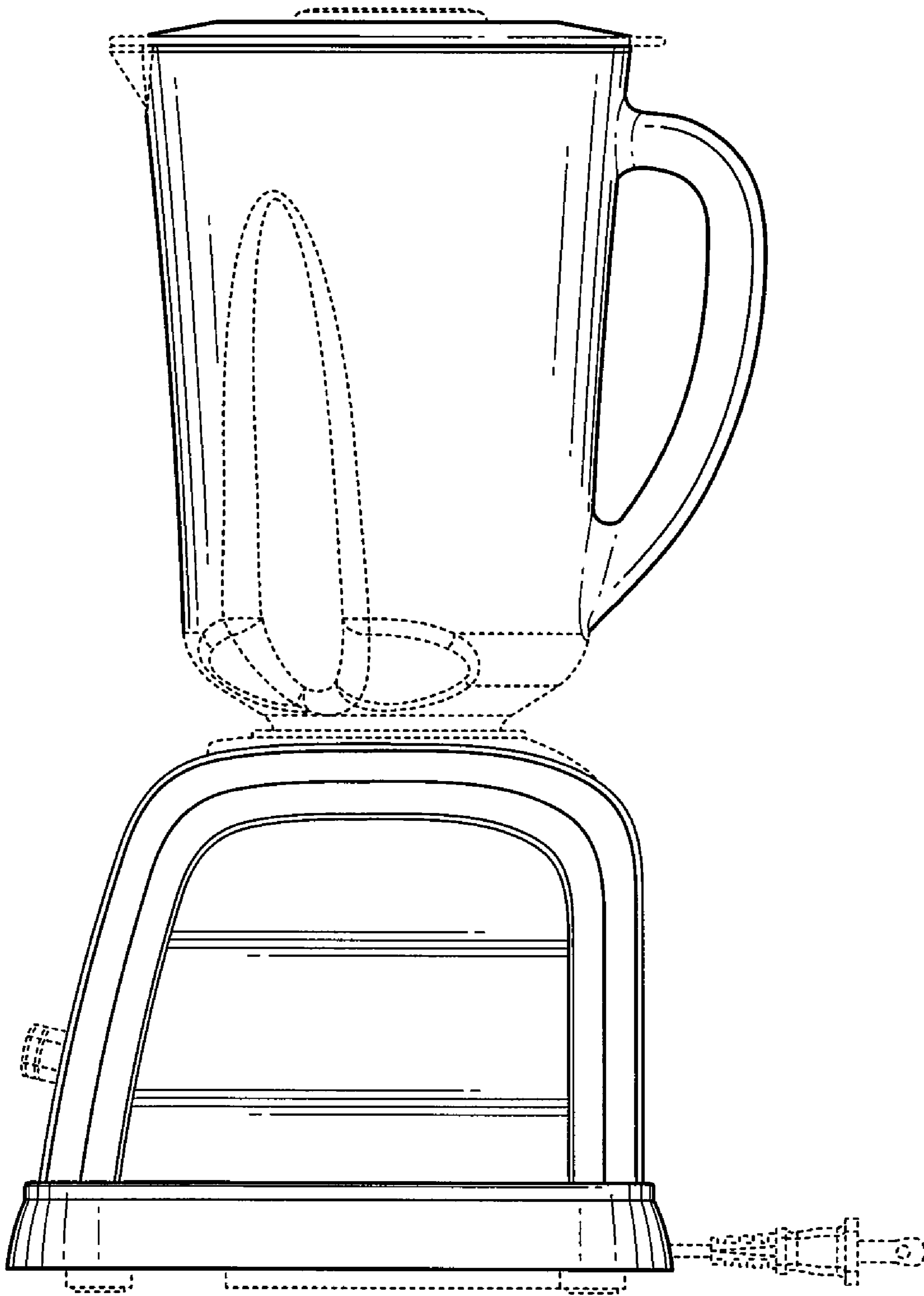


FIG. 5

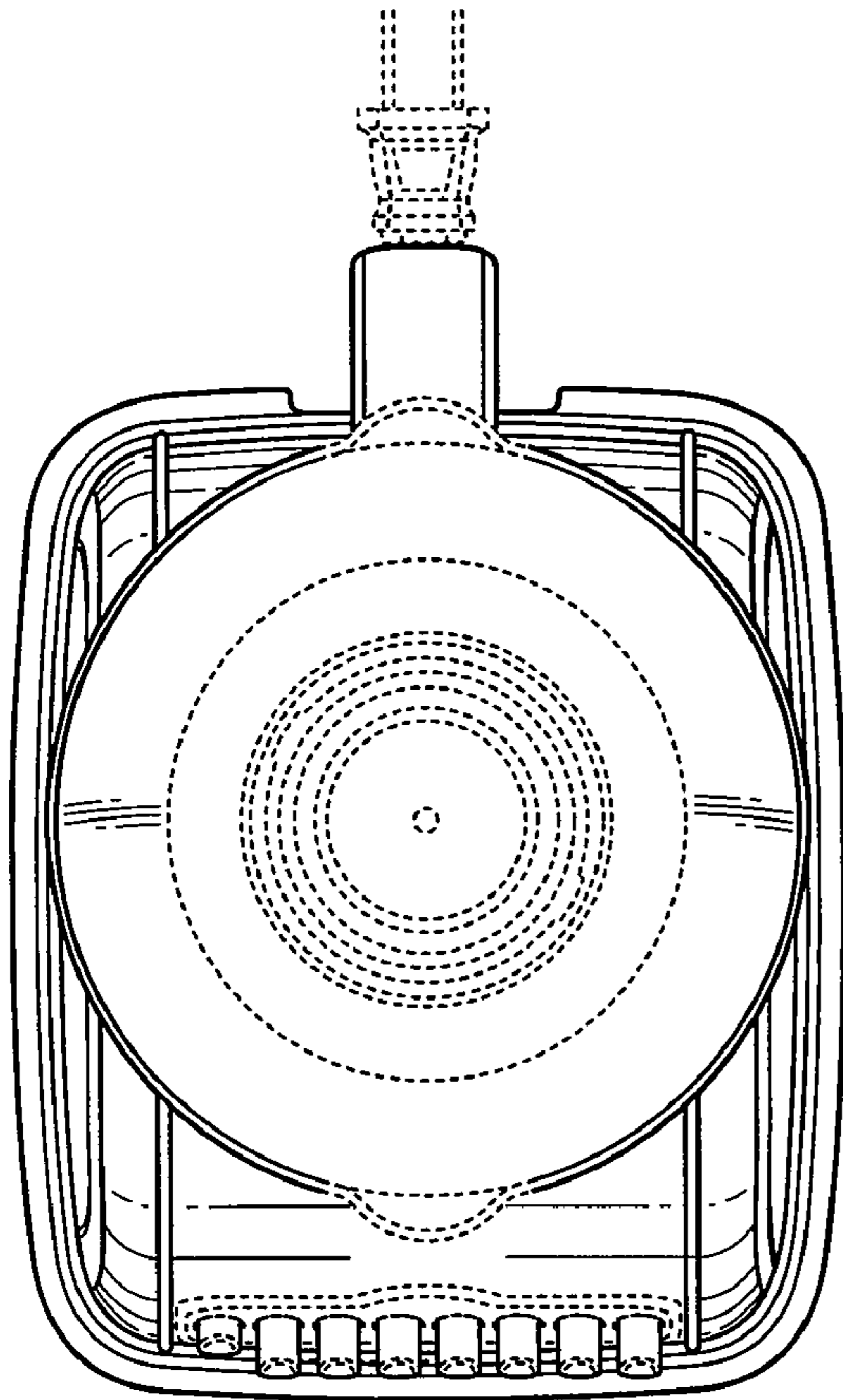


FIG. 6

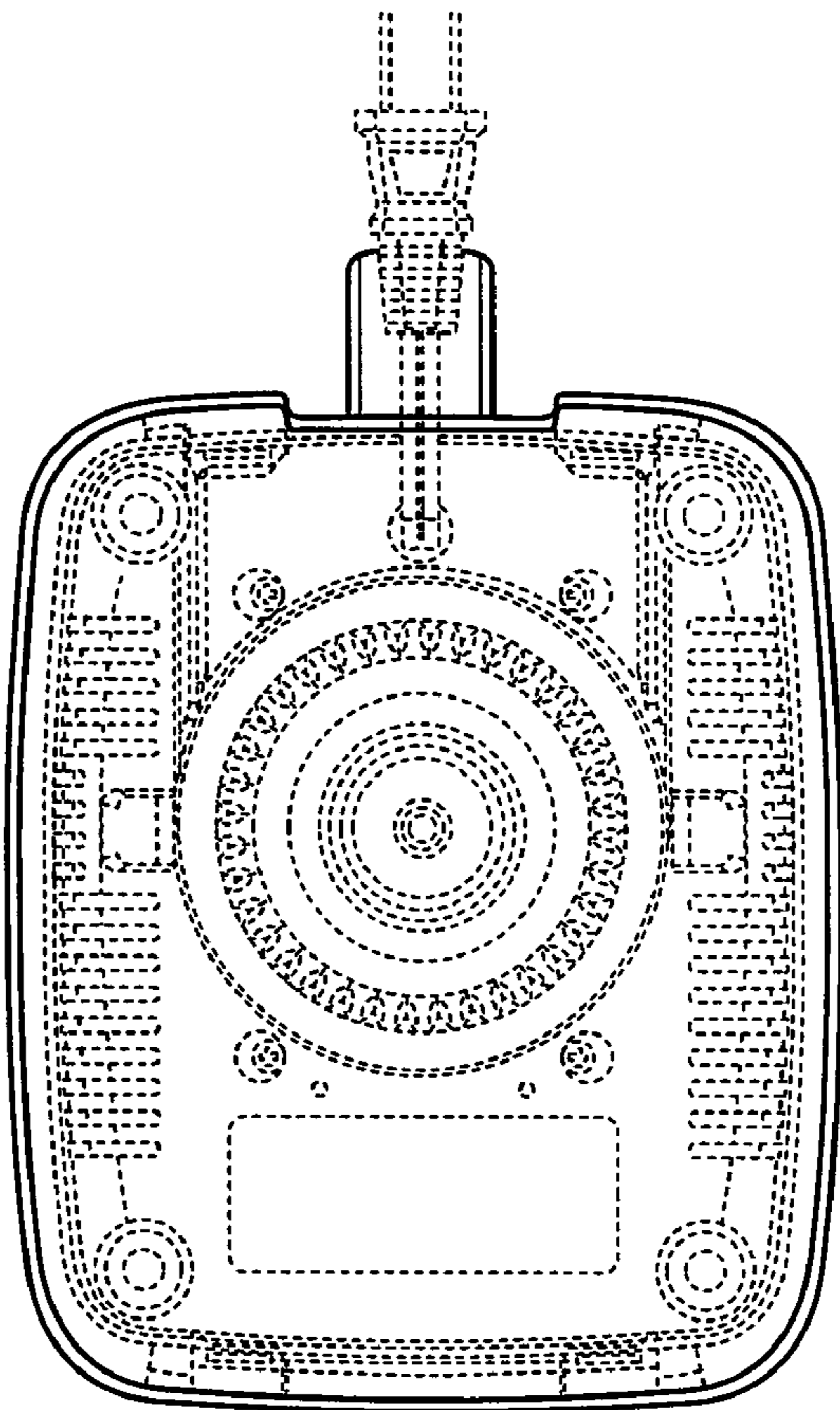


FIG. 7