



US00D553902S

(12) **United States Design Patent**  
**Barber**

(10) **Patent No.:** **US D553,902 S**

(45) **Date of Patent:** **\*\* Oct. 30, 2007**

(54) **HOLDER FOR BAKED GOODS**

6,905,017 B1 \* 6/2005 Sarnoff et al. .... 206/223  
D515,363 S \* 2/2006 Driggers et al. .... D7/610

(75) Inventor: **Thomas Barber**, Redondo Beach, CA  
(US)

\* cited by examiner

(73) Assignee: **Bradshaw International, Inc.**, Rancho  
Cucamonga, CA (US)

*Primary Examiner*—Cathron C. Brooks

*Assistant Examiner*—Ricky Pham

(\*\*) Term: **14 Years**

(74) *Attorney, Agent, or Firm*—Birch, Stewart, Kolasch &  
Birch, LLP

(21) Appl. No.: **29/255,567**

(57) **CLAIM**

(22) Filed: **Mar. 10, 2006**

The ornamental design for a holder for baked goods, as  
shown and described.

(51) **LOC (8) Cl.** ..... **07-02**

(52) **U.S. Cl.** ..... **D7/357**

(58) **Field of Classification Search** ..... D7/323,  
D7/354–360, 368, 392.1, 393, 396.1, 538,  
D7/543, 545, 550.1, 551.1, 552.1, 553.1,  
D7/554.1–554.4, 601, 602, 610, 629, 698;  
D9/428–432, 757–759; 99/324, 339, 422,  
99/446, 448; 206/223, 493, 499, 557–567;  
220/573.1–573.4, 574, 669, 672, 674–675,  
220/912; 294/172; 426/124, 126–127, 505

See application file for complete search history.

**DESCRIPTION**

FIG. 1 is a front side perspective view of a holder for baked  
goods embodying my new design;

FIG. 2 is a top plan view thereof;

FIG. 3 is a front side elevational view thereof;

FIG. 4 is a right end view thereof;

FIG. 5 is a bottom plan view thereof;

FIG. 6 is an exploded front side perspective view thereof,  
showing the tray, inner tray and cover;

FIG. 7 is a top plan view of the inner tray, shown separately  
for completeness of illustration;

FIG. 8 is a front side elevational view of the inner tray  
thereof;

FIG. 9 is a right end view of the inner tray thereof;

FIG. 10 is a bottom plan view of the inner tray; and,

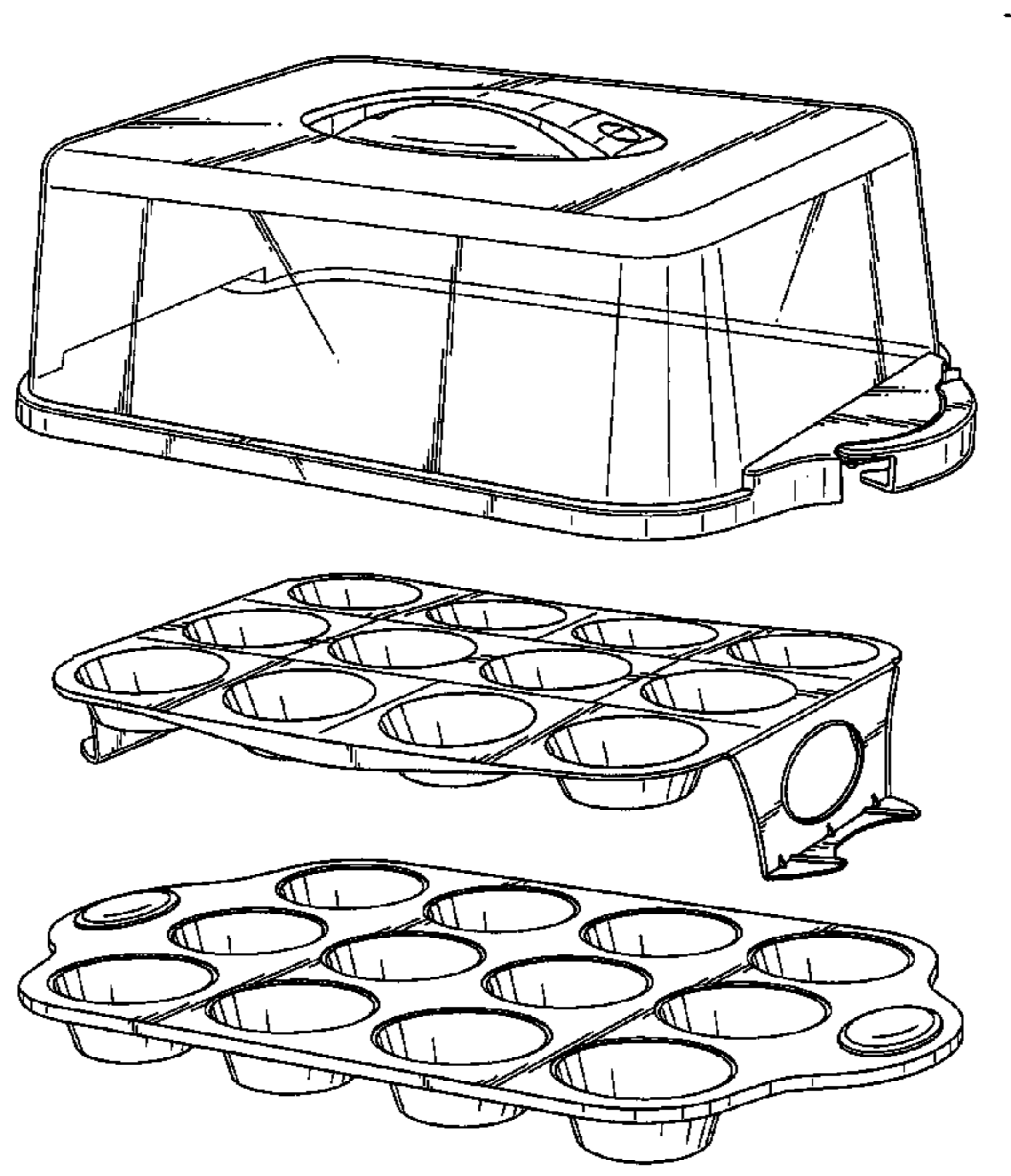
FIG. 11 is a top plan view similar to FIG. 2 with latches  
moved to open positions.

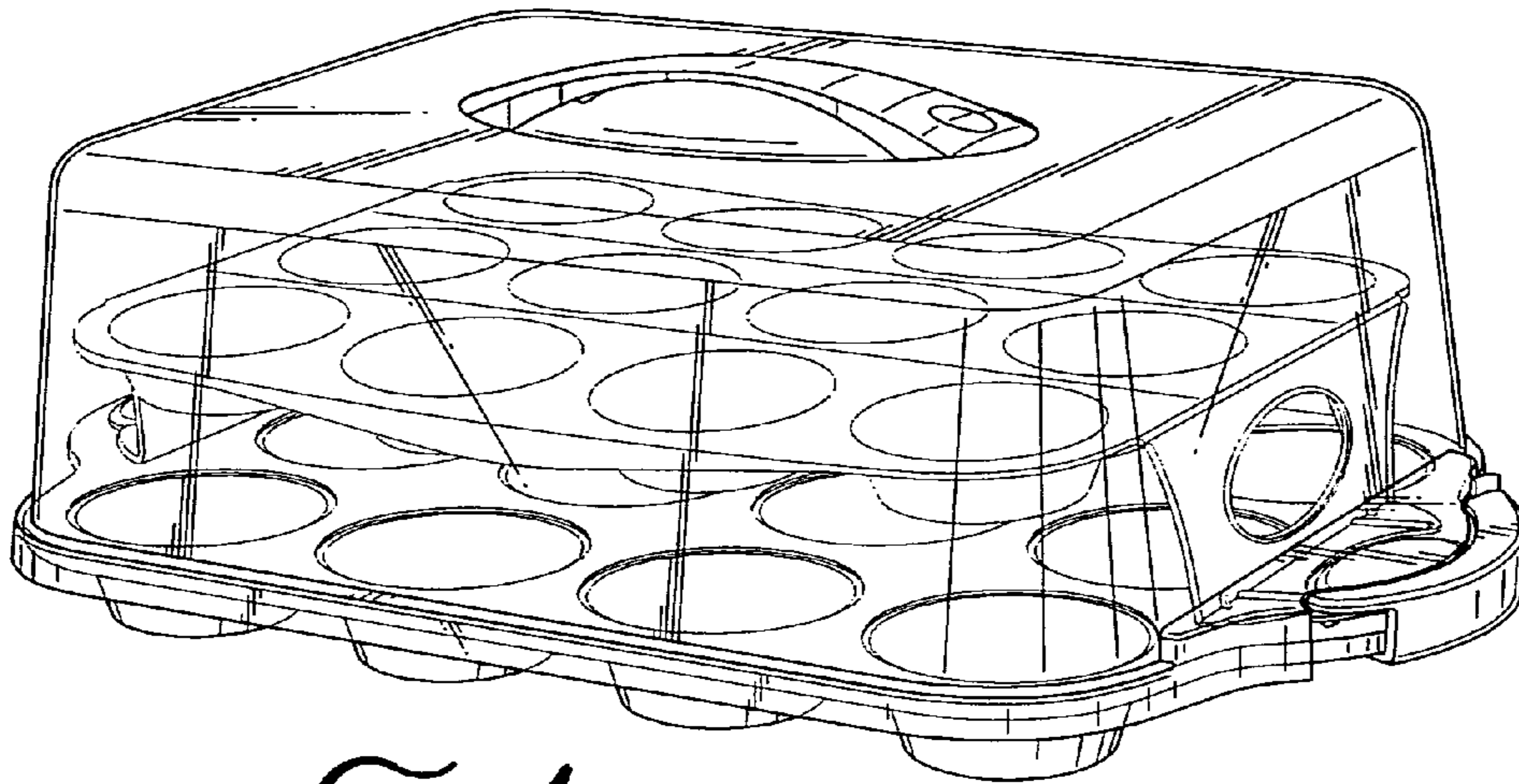
(56) **References Cited**

**U.S. PATENT DOCUMENTS**

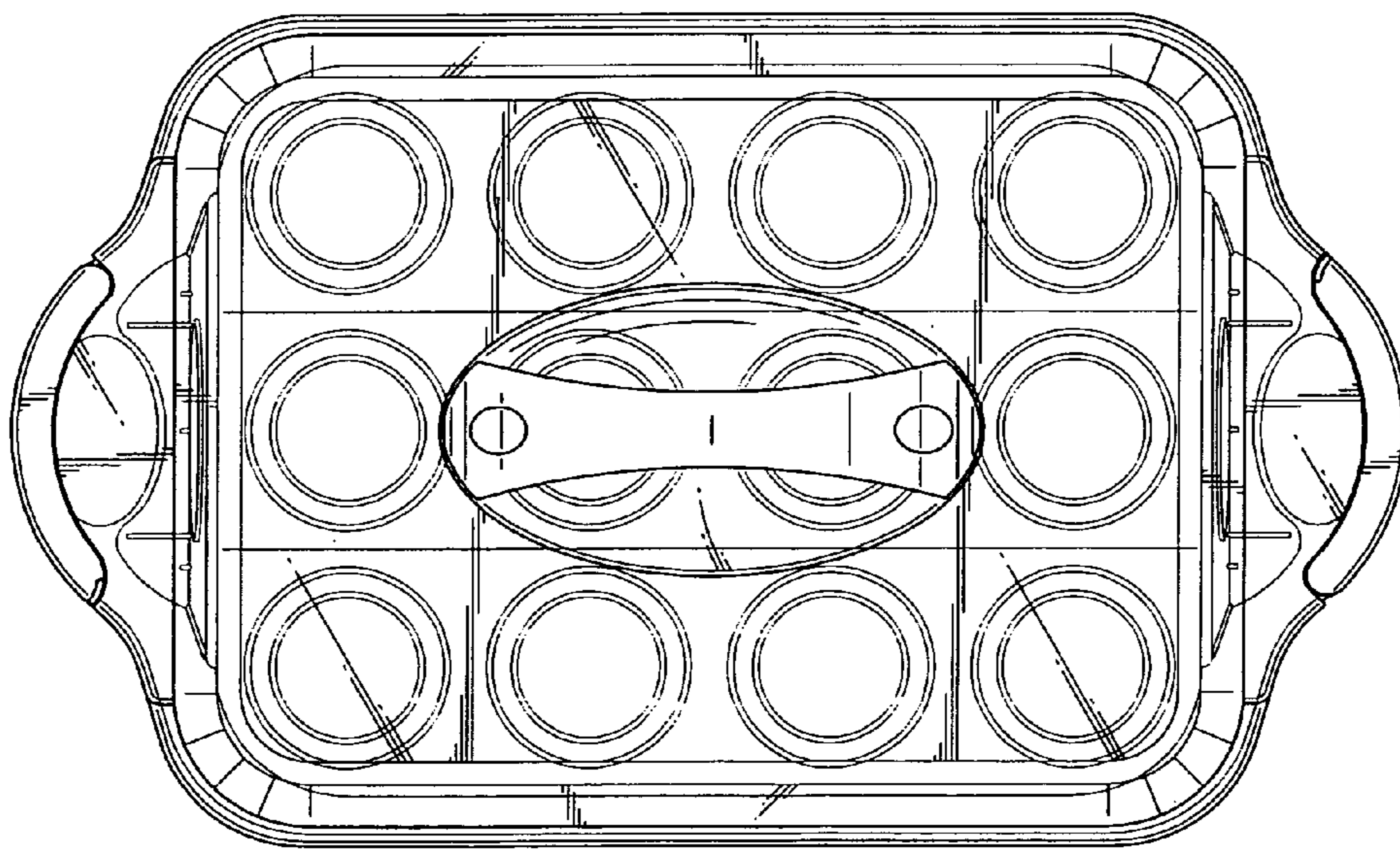
D255,085 S *	5/1980	Free et al. ....	D7/368
D310,481 S *	9/1990	Chanel .....	D9/757
D346,528 S *	5/1994	Crawford et al. ....	D7/357
D356,716 S *	3/1995	Dornbush et al. ....	D7/357
D400,055 S *	10/1998	Mc Fadzean .....	D7/610
5,912,033 A *	6/1999	Ferguson .....	426/124
5,967,323 A *	10/1999	Siragusa .....	206/499
6,003,671 A *	12/1999	McDonough et al. ....	206/493
D423,864 S *	5/2000	Chang et al. ....	D7/323
D492,539 S *	7/2004	Henry et al. ....	D7/357

**1 Claim, 7 Drawing Sheets**

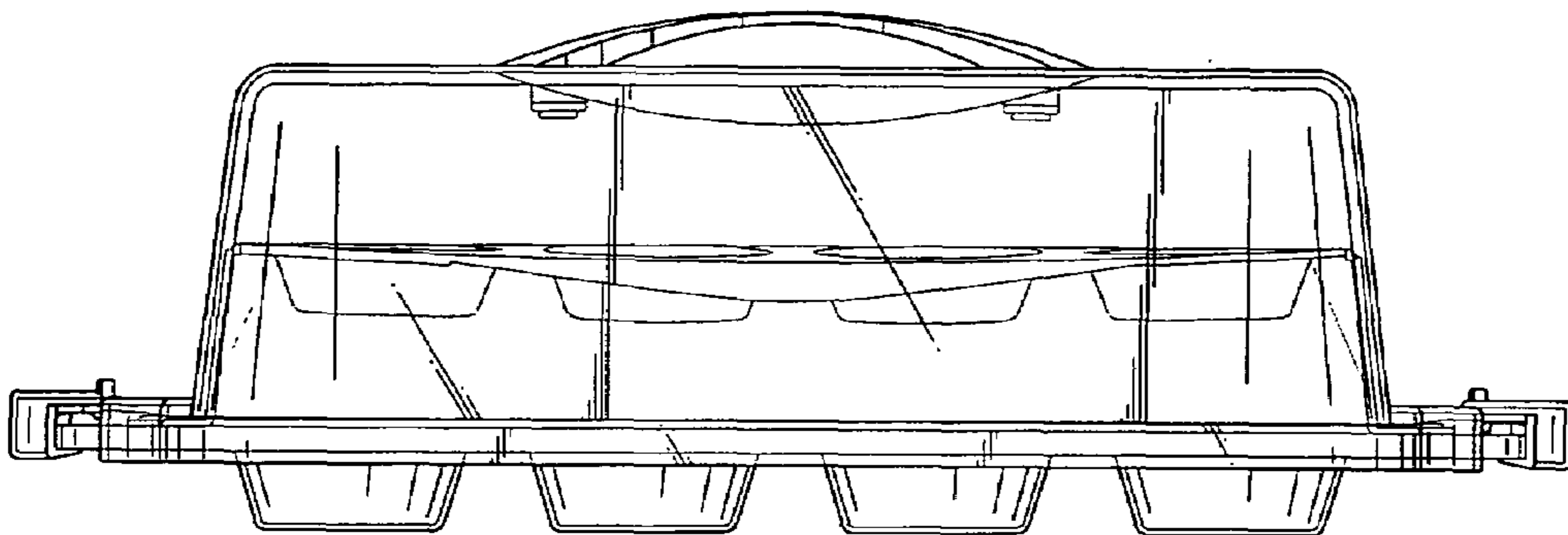




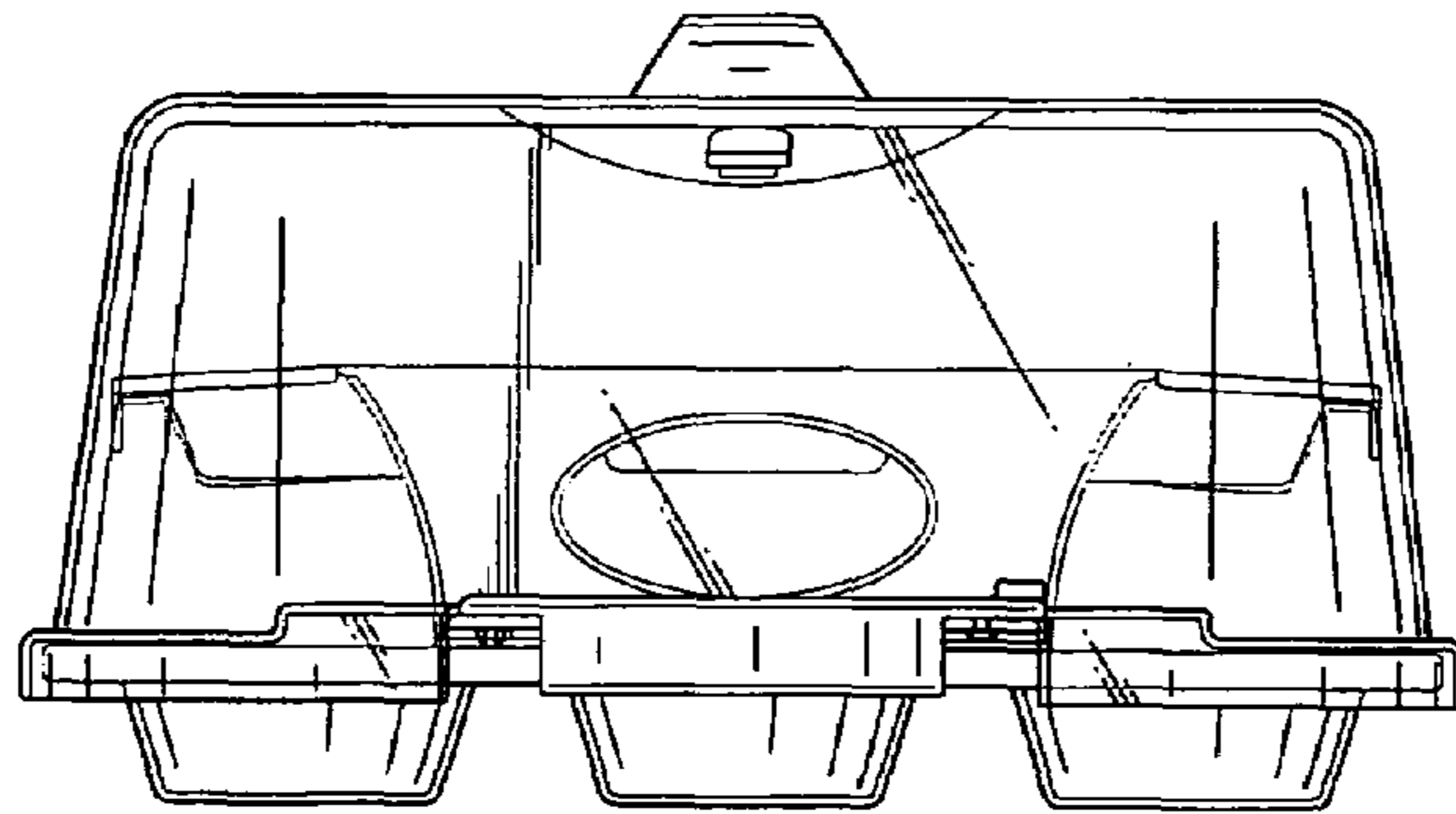
*FIG. 1*



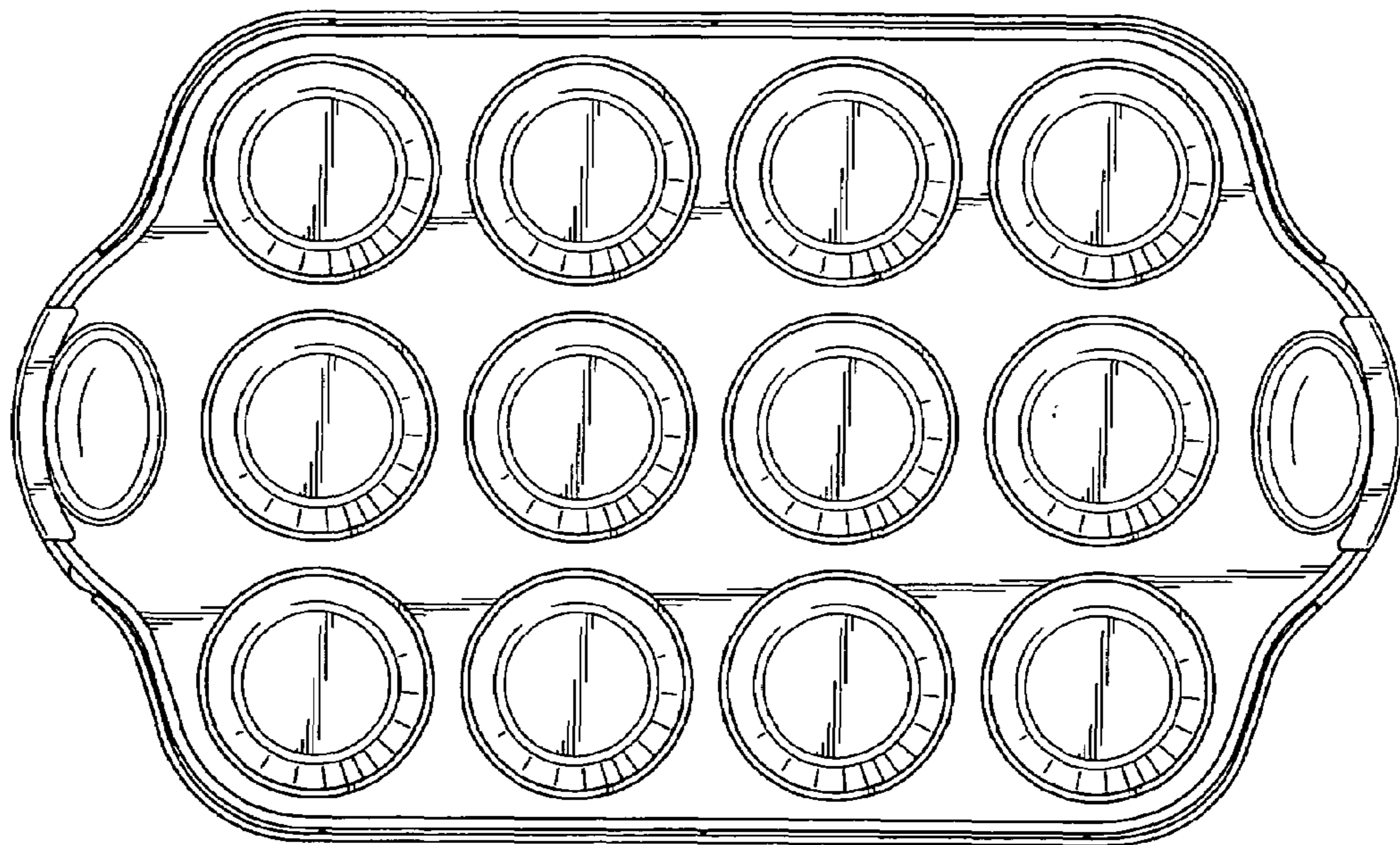
*FIG. 2*



*FIG. 3*



*FIG. 4*



*FIG. 5*

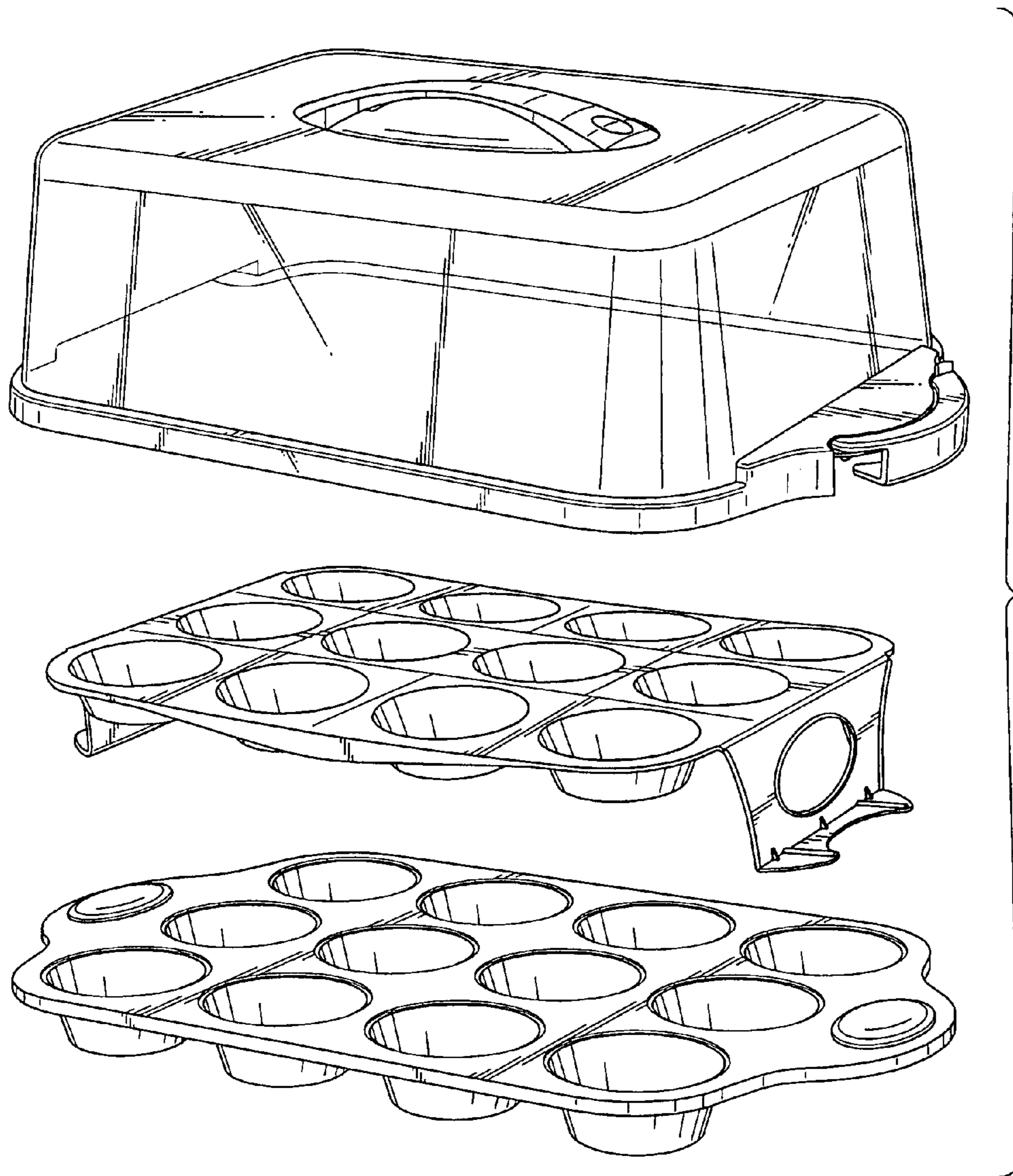
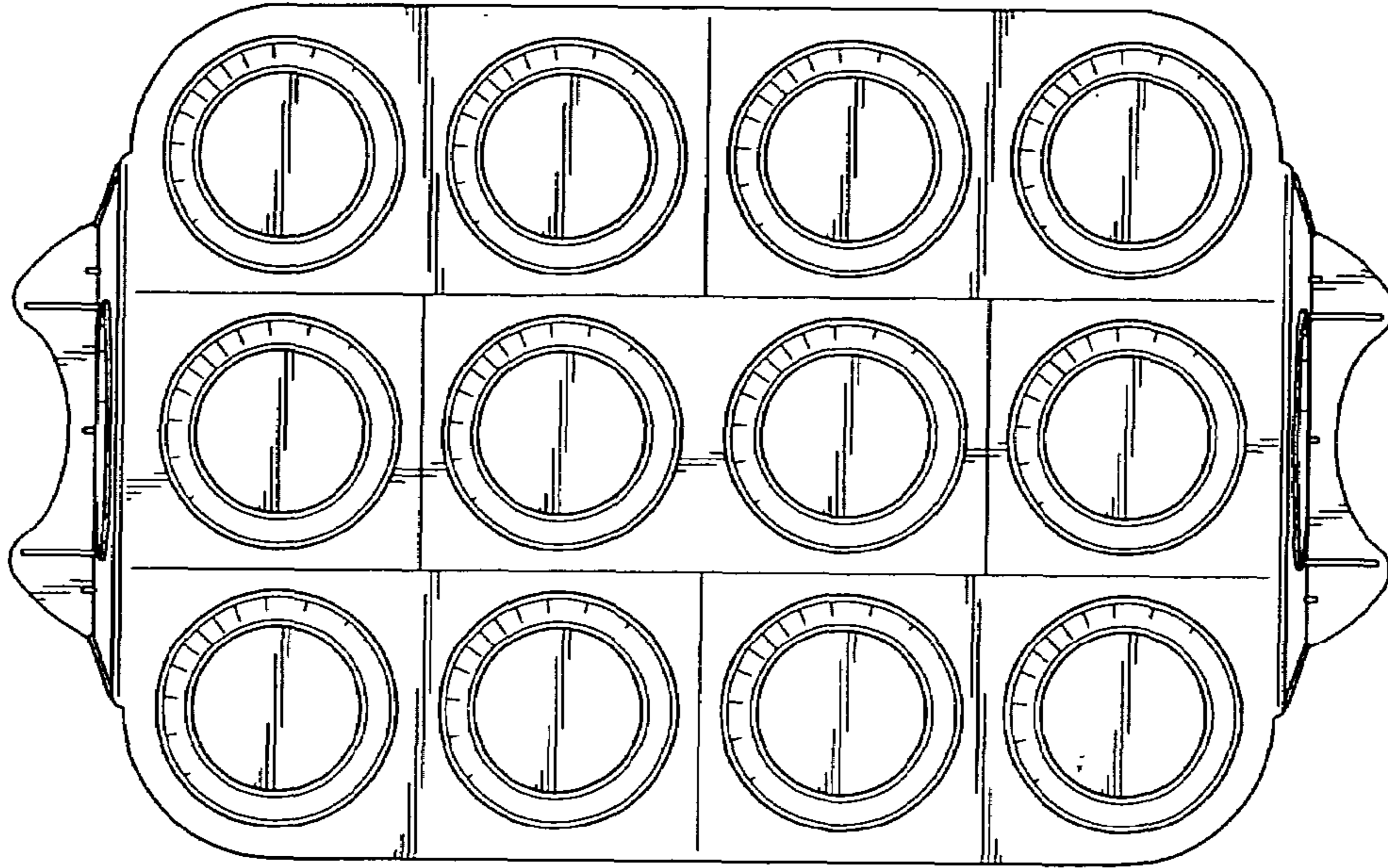
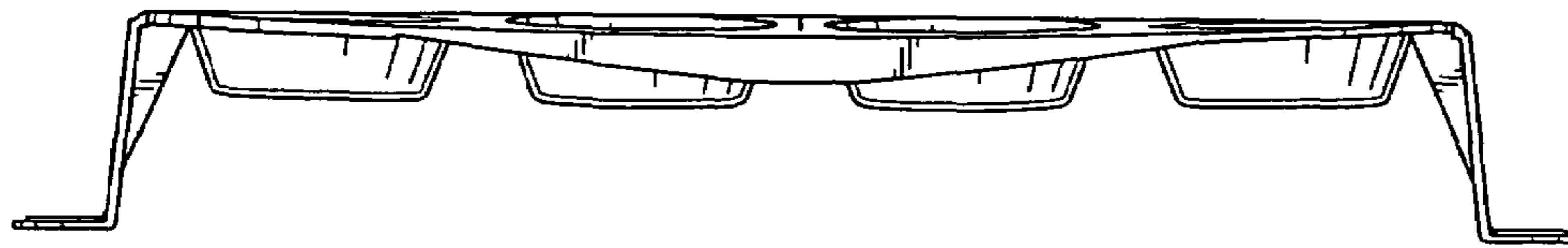


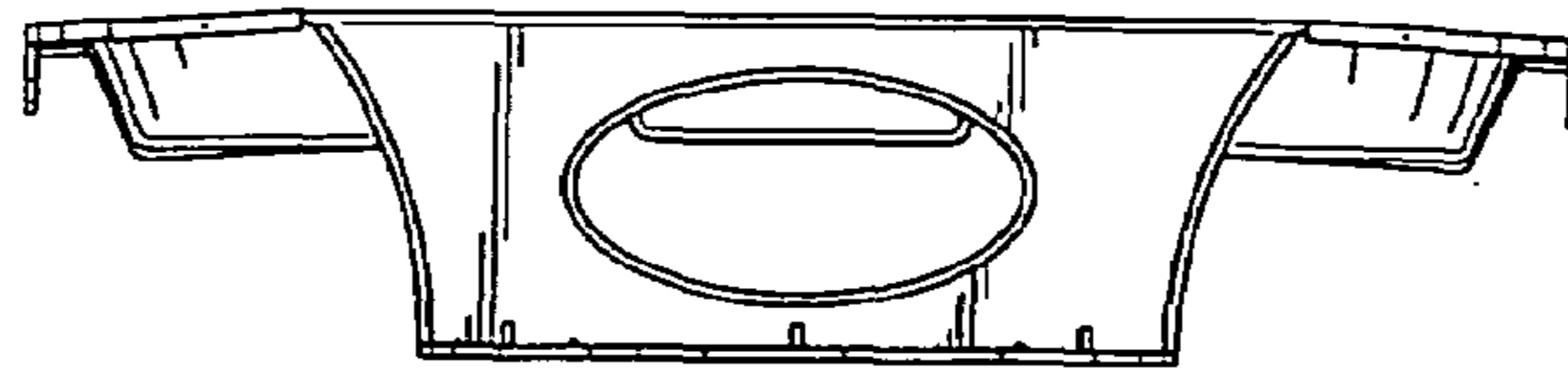
FIG. 6



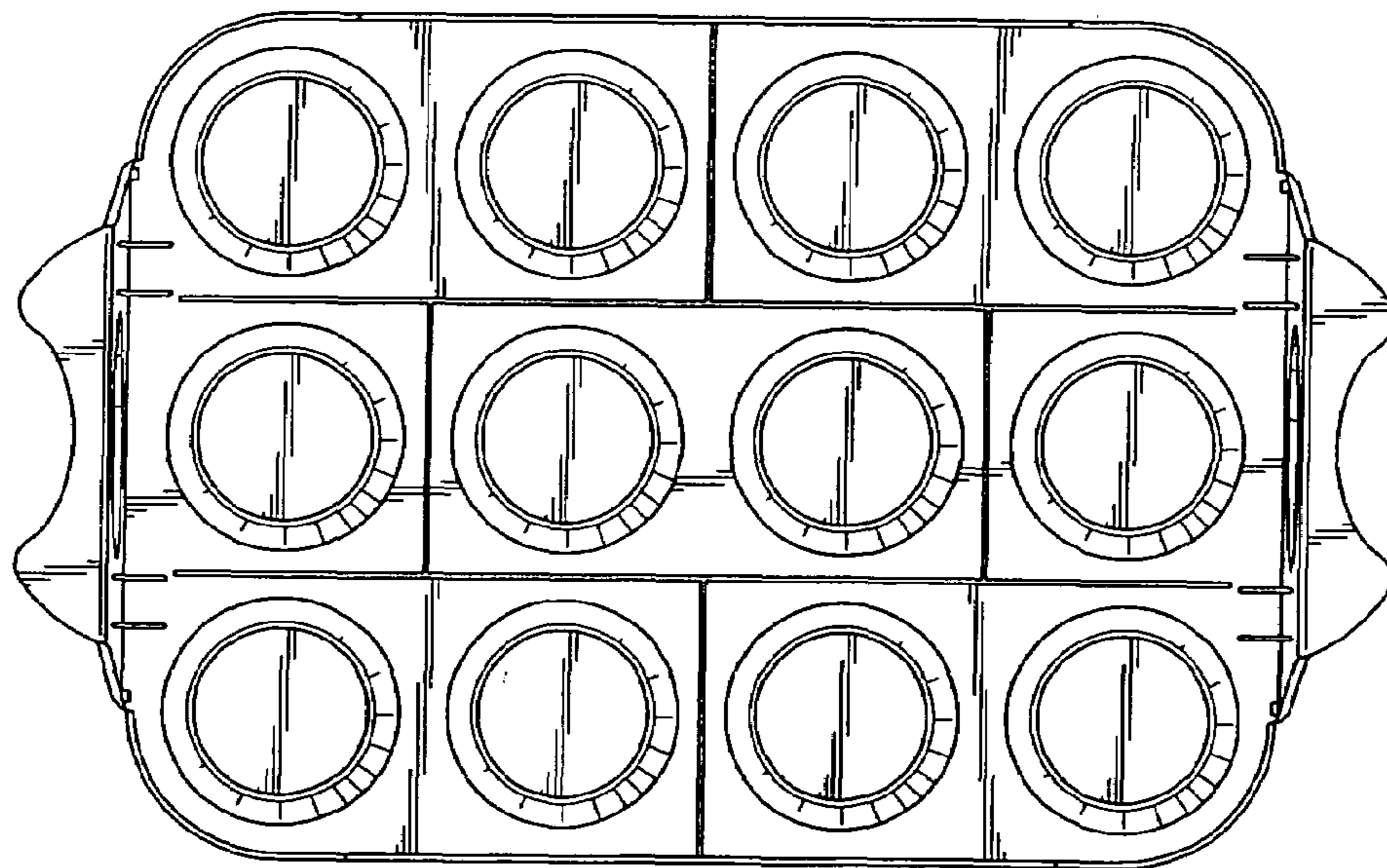
*FIG. 7*



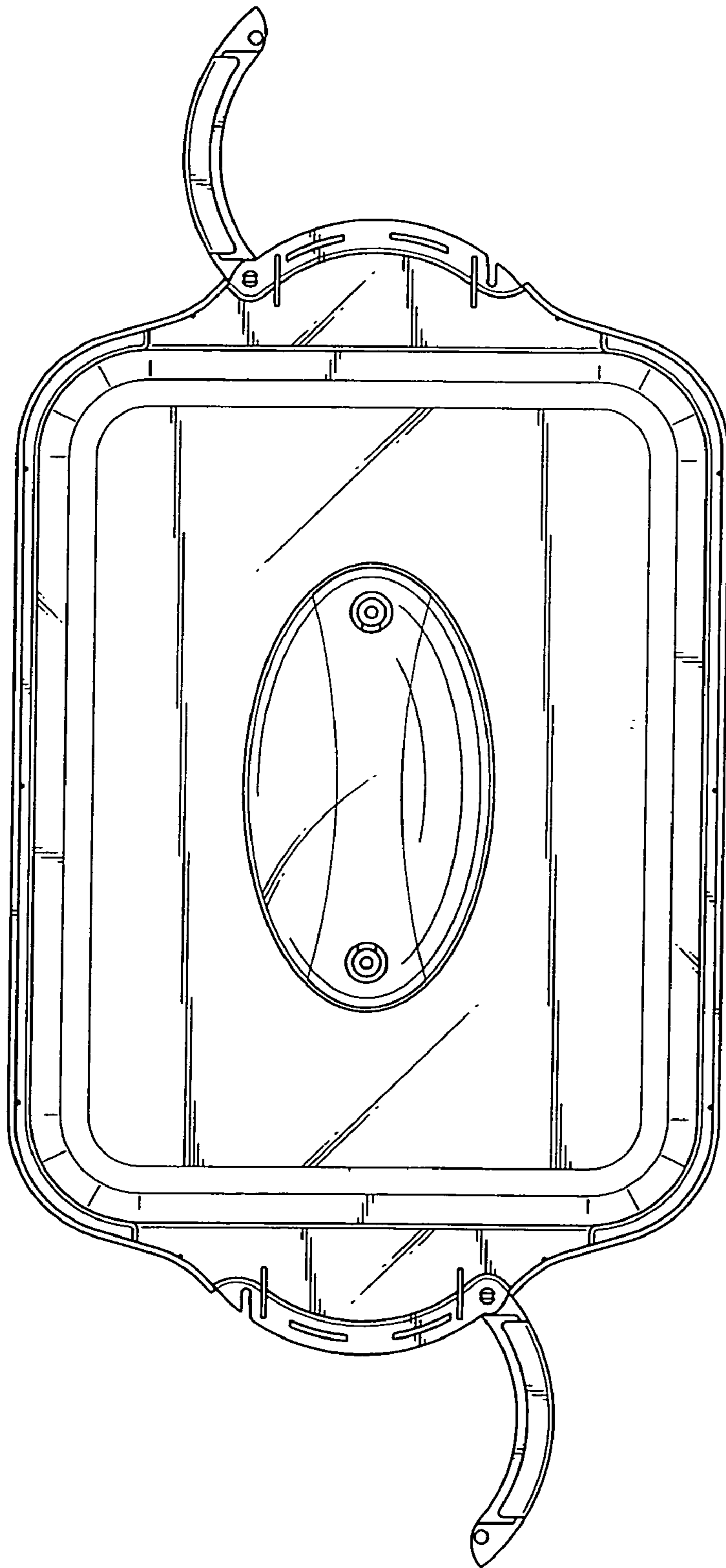
*FIG. 8*



*Fig. 9*



*Fig. 10*



*FIG. 11*