

US00D553900S

(12) **United States Design Patent**
Grey et al.

(10) **Patent No.:** **US D553,900 S**

(45) **Date of Patent:** **** Oct. 30, 2007**

(54) **COOKTOP**

(75) Inventors: **Jonathan Grey**, New Bern, NC (US);
Joachim Gruetzke, New Bern, NC
(US); **Peter Hamm**, Trostberg (DE)

(73) Assignee: **BSH Home Appliances Corporation**,
Huntington Beach, CA (US)

(**) Term: **14 Years**

(21) Appl. No.: **29/271,943**

(22) Filed: **Jan. 29, 2007**

(51) **LOC (8) Cl.** **07-02**

(52) **U.S. Cl.** **D7/346; D7/408**

(58) **Field of Classification Search** D7/339-341,
D7/346-348, 407, 408; 126/39 R, 39 J,
126/39 B, 211; 219/450.1, 452.11, 452.12,
219/472, 478, 468.1

See application file for complete search history.

(56) **References Cited**

U.S. PATENT DOCUMENTS

D464,845 S * 10/2002 Shin D7/346

D508,366 S * 8/2005 Wilsdorf D7/346

D510,228 S * 10/2005 Huxhold D7/346

D511,641 S * 11/2005 Kim D7/346

D537,291 S * 2/2007 Huxhold D7/346

* cited by examiner

Primary Examiner—Catherine R. Oliver

(74) *Attorney, Agent, or Firm*—Russell W. Warnock; Craig
J. Loest; James E. Howard

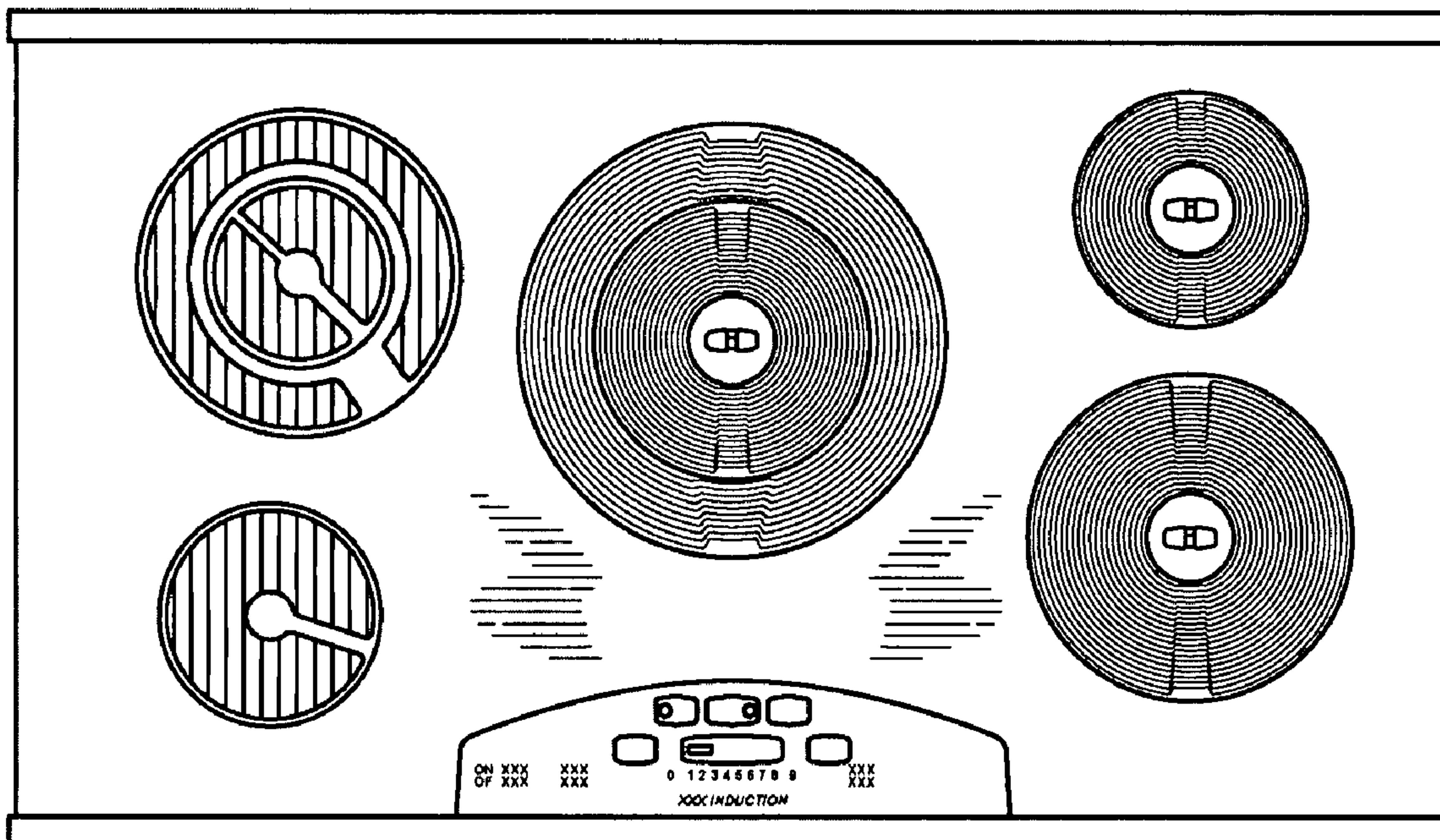
(57) **CLAIM**

The ornamental design for a cooktop, as shown and
described.

DESCRIPTION

FIG. 1 is a top view of a cooktop showing our ornamental
design.

1 Claim, 1 Drawing Sheet



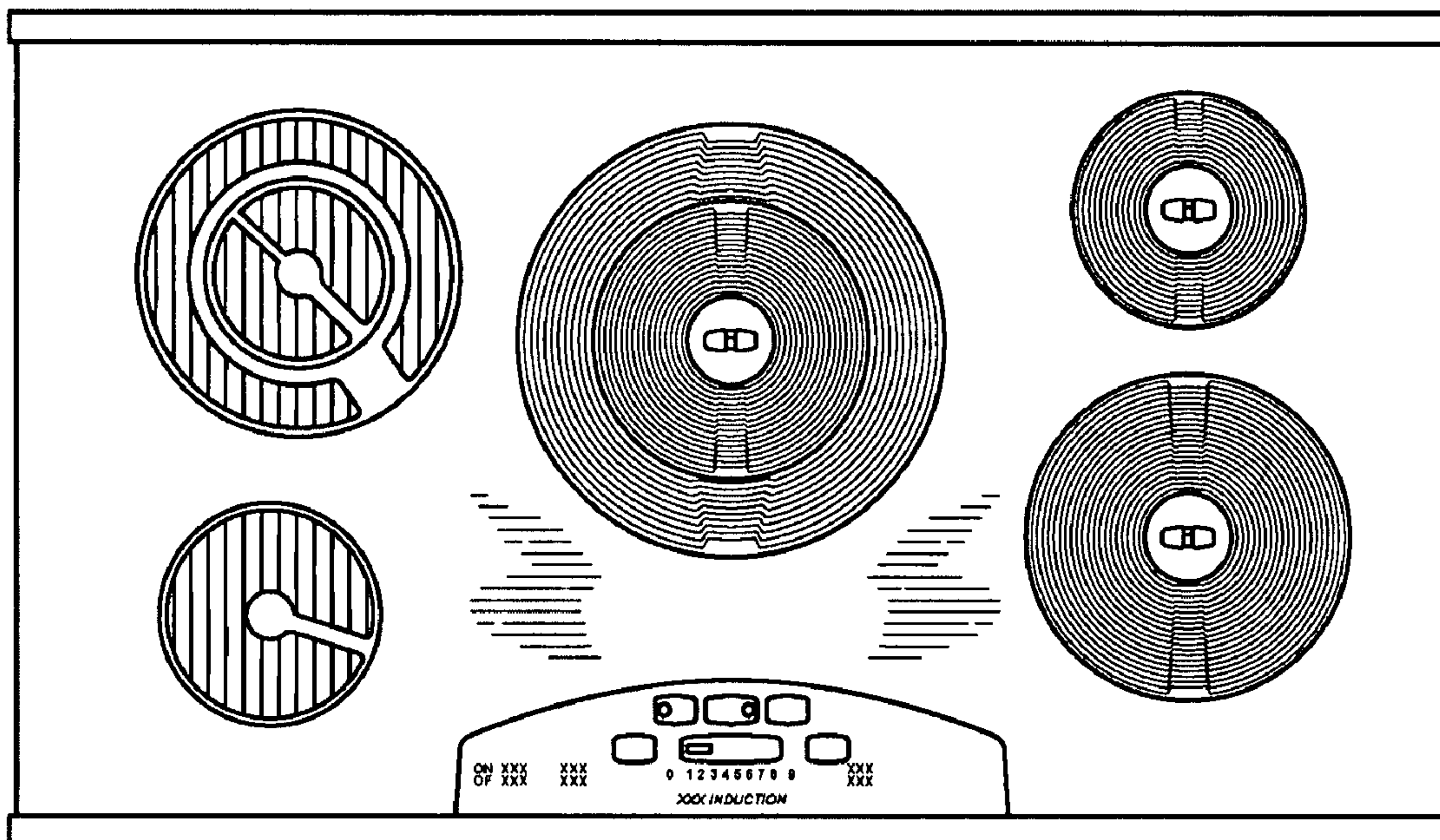


FIG. 1