



US00D553898S

(12) **United States Design Patent**
De' Longhi

(10) **Patent No.: US D553,898 S**

(45) **Date of Patent: ** Oct. 30, 2007**

(54) **KETTLE**

(75) Inventor: **Giuseppe De' Longhi**, Treviso (IT)

(73) Assignee: **De'Longhi S.p.A.**, Treviso (IT)

(**) Term: **14 Years**

(21) Appl. No.: **29/244,798**

(22) Filed: **Dec. 14, 2005**

(30) **Foreign Application Priority Data**

Jun. 17, 2005 (EM) 000361415

(51) **LOC (8) Cl.** **07-01**

(52) **U.S. Cl.** **D7/321; D7/318; D7/312**

(58) **Field of Classification Search** D7/312,
D7/300, 322, 321, 320, 608, 318; 99/281,
99/299, 322; 220/755, 774, 566, 500, 465.1,
220/157, 481; 219/441

See application file for complete search history.

(56) **References Cited**

U.S. PATENT DOCUMENTS

1,143,484 A * 6/1915 Beach 220/759
D70,822 S * 8/1926 Brown D7/321
D176,032 S * 11/1955 Olsen et al. D7/321
D201,456 S * 6/1965 Gilbert D7/321

D218,354 S * 8/1970 Kikuchi D7/317
D229,154 S * 11/1973 Jordan D7/317
3,969,610 A * 7/1976 Ratti et al. 219/441
D248,917 S * 8/1978 Kikuchi D7/321
D268,888 S * 5/1983 Gremonprez D7/321
D302,370 S * 7/1989 Gibert D7/317
D307,695 S * 5/1990 Cesaroni et al. D7/321
D478,766 S * 8/2003 Questelles D7/321
D512,597 S * 12/2005 Bjørn D7/318

* cited by examiner

Primary Examiner—M. N. Pandozzi

(74) *Attorney, Agent, or Firm*—Andrew Wilford

(57) **CLAIM**

The ornamental design for a kettle, as shown and described.

DESCRIPTION

FIG. 1 is a top, front, right-side perspective view of a kettle showing my new design;

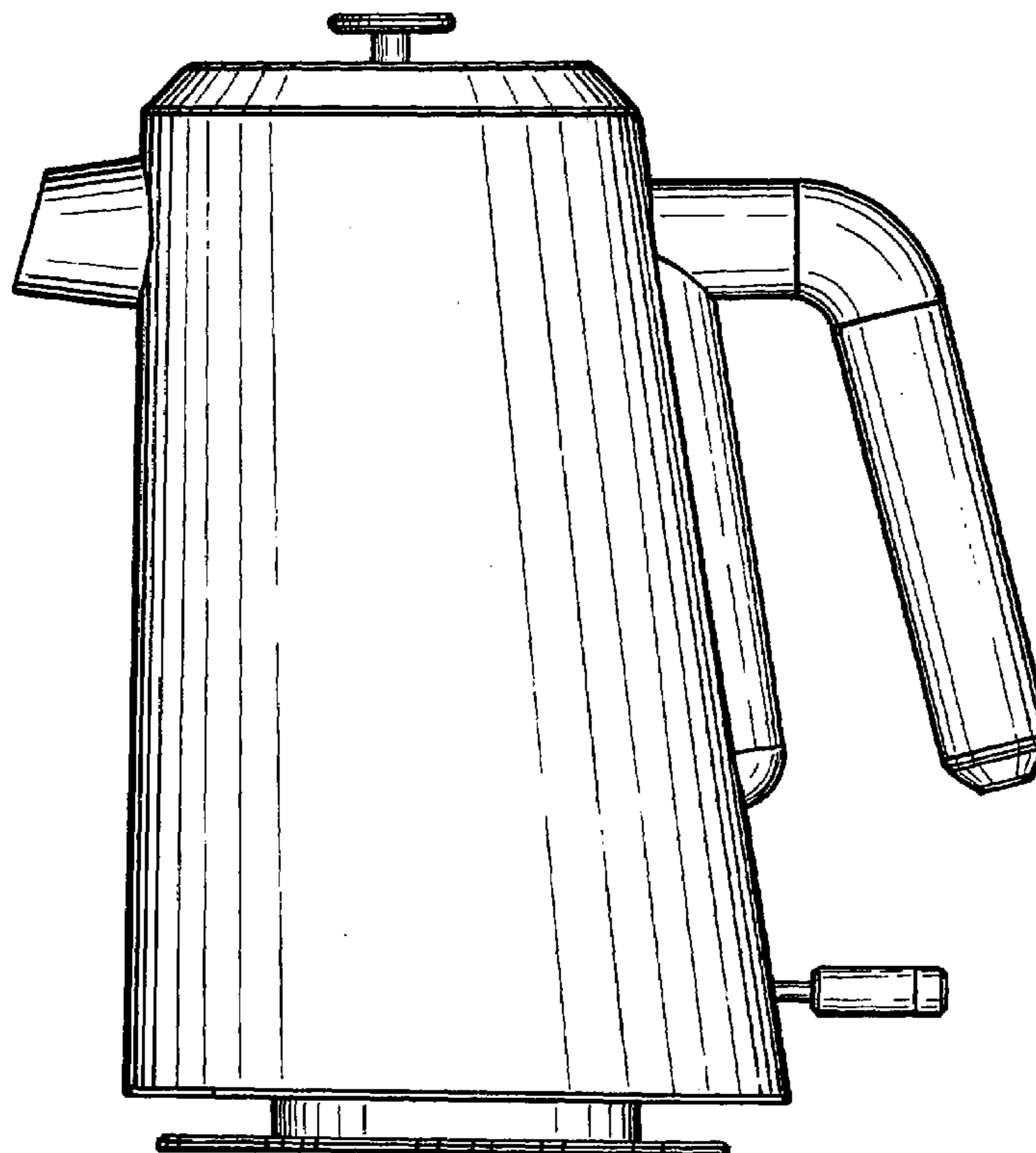
FIG. 2 is a front elevational view thereof;

FIG. 3 is a right side bottom perspective view thereof;

FIG. 4 is a top plan view thereof; and,

FIG. 5 is a right side elevational view thereof, the left side elevational view being a mirror image thereof.

1 Claim, 5 Drawing Sheets



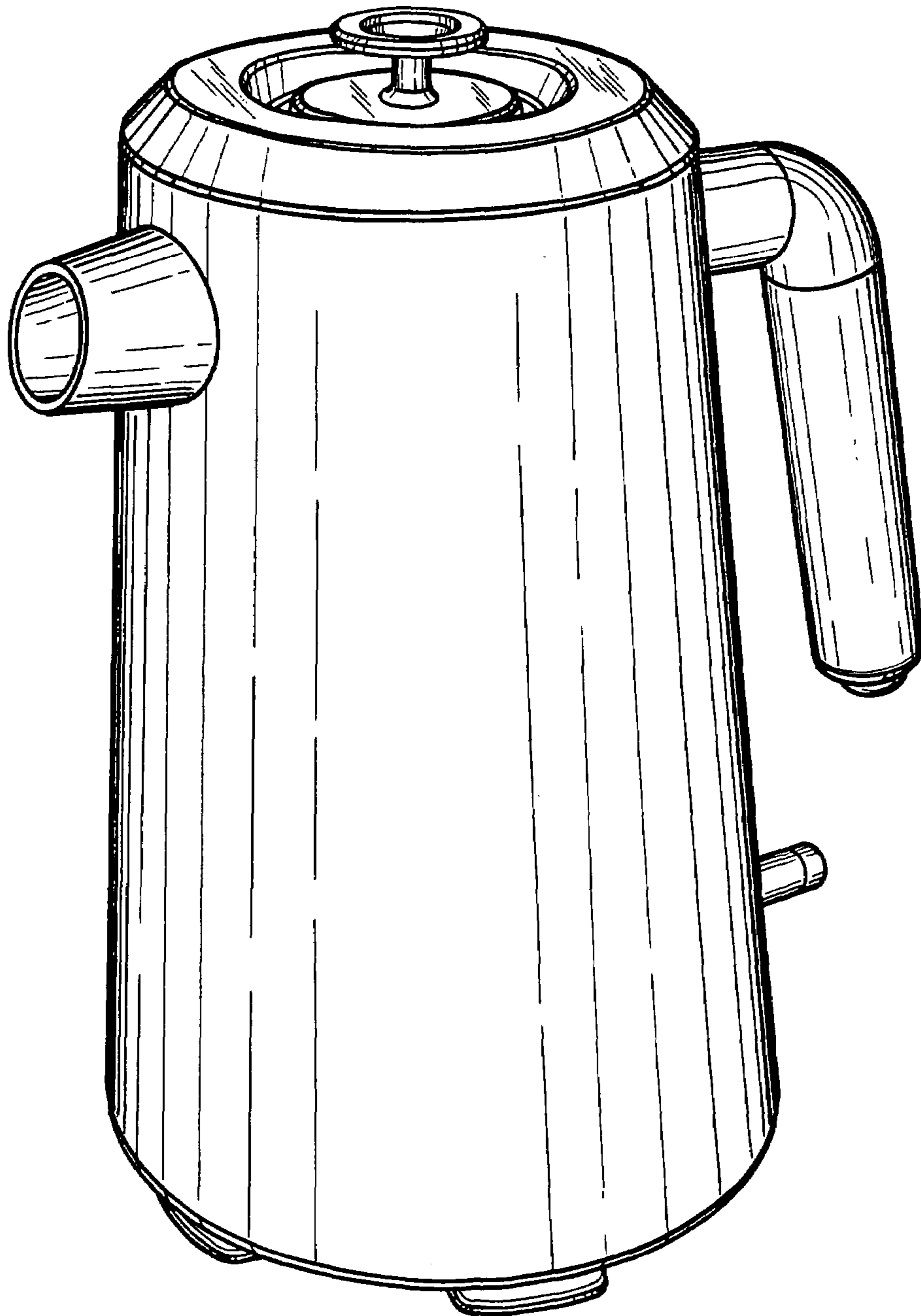


FIG. 1

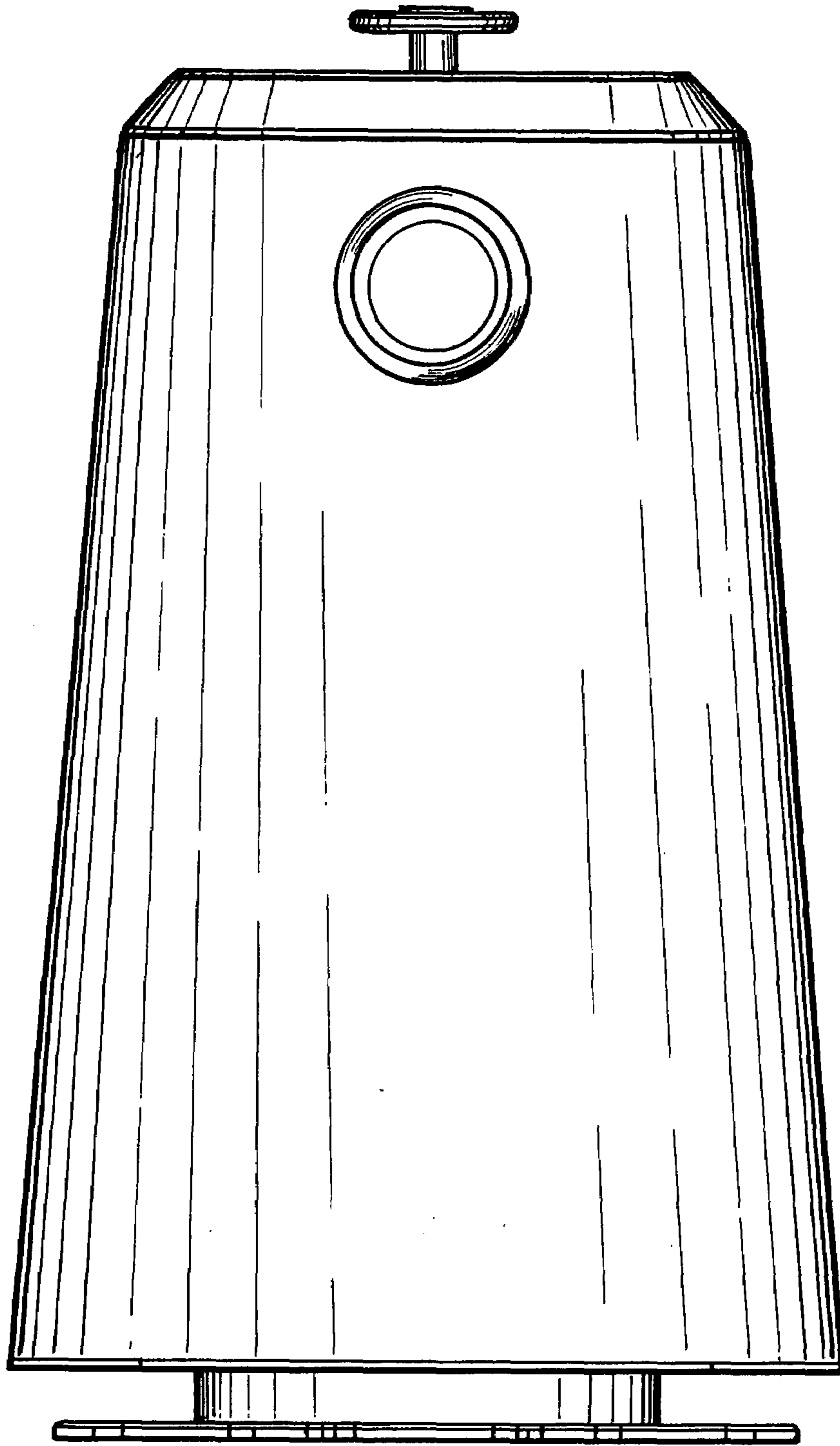


FIG. 2

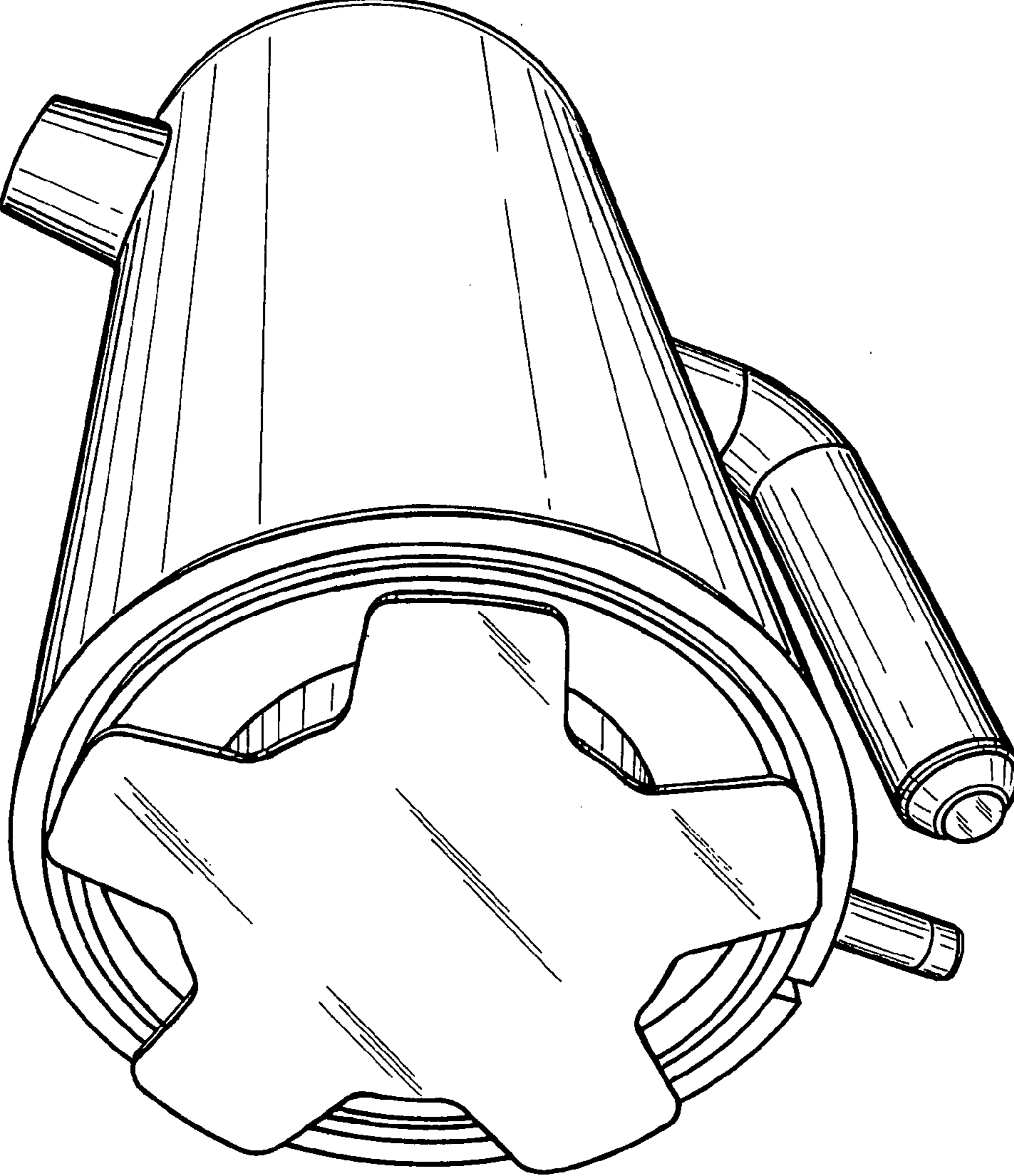


FIG.3

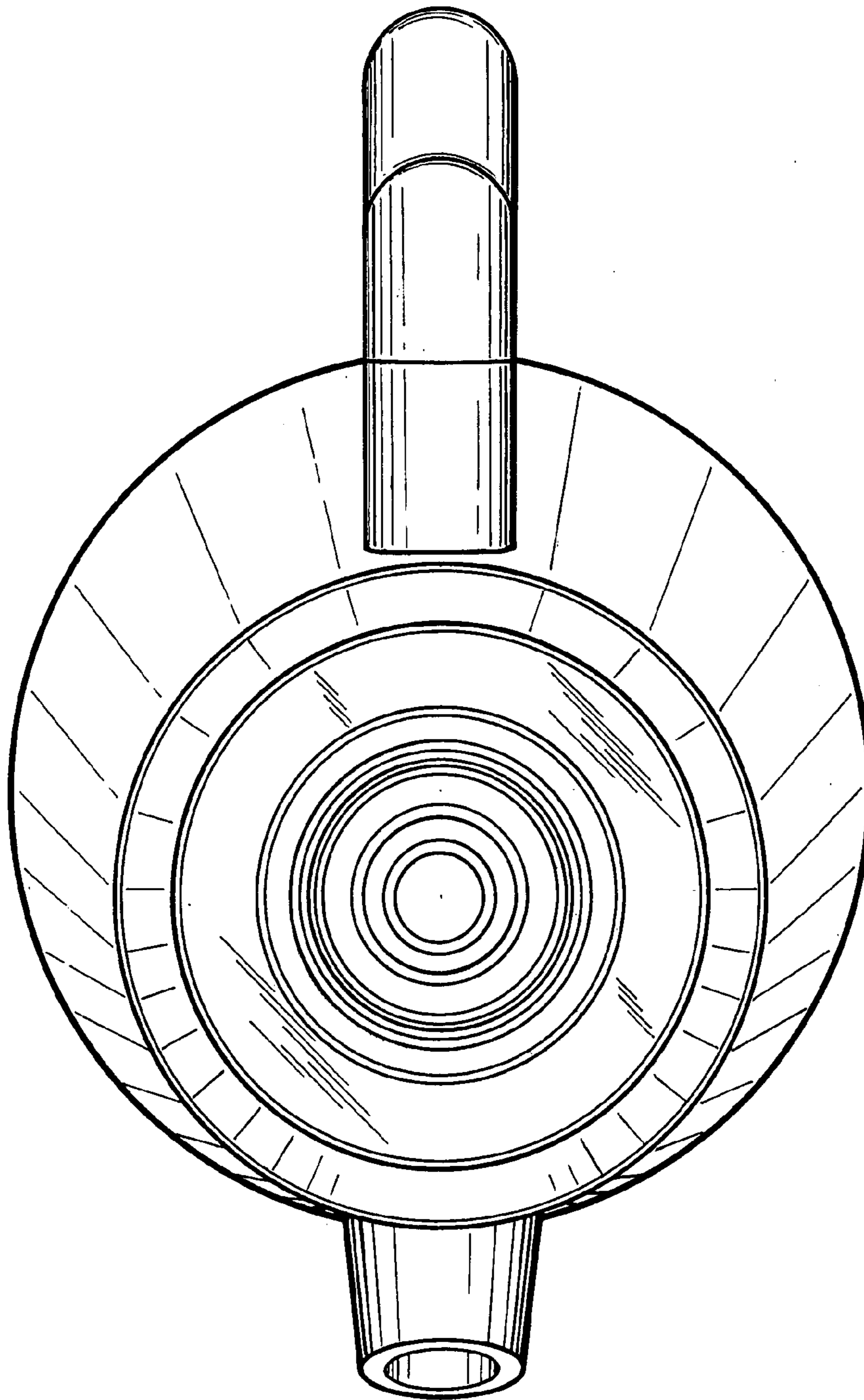


FIG.4

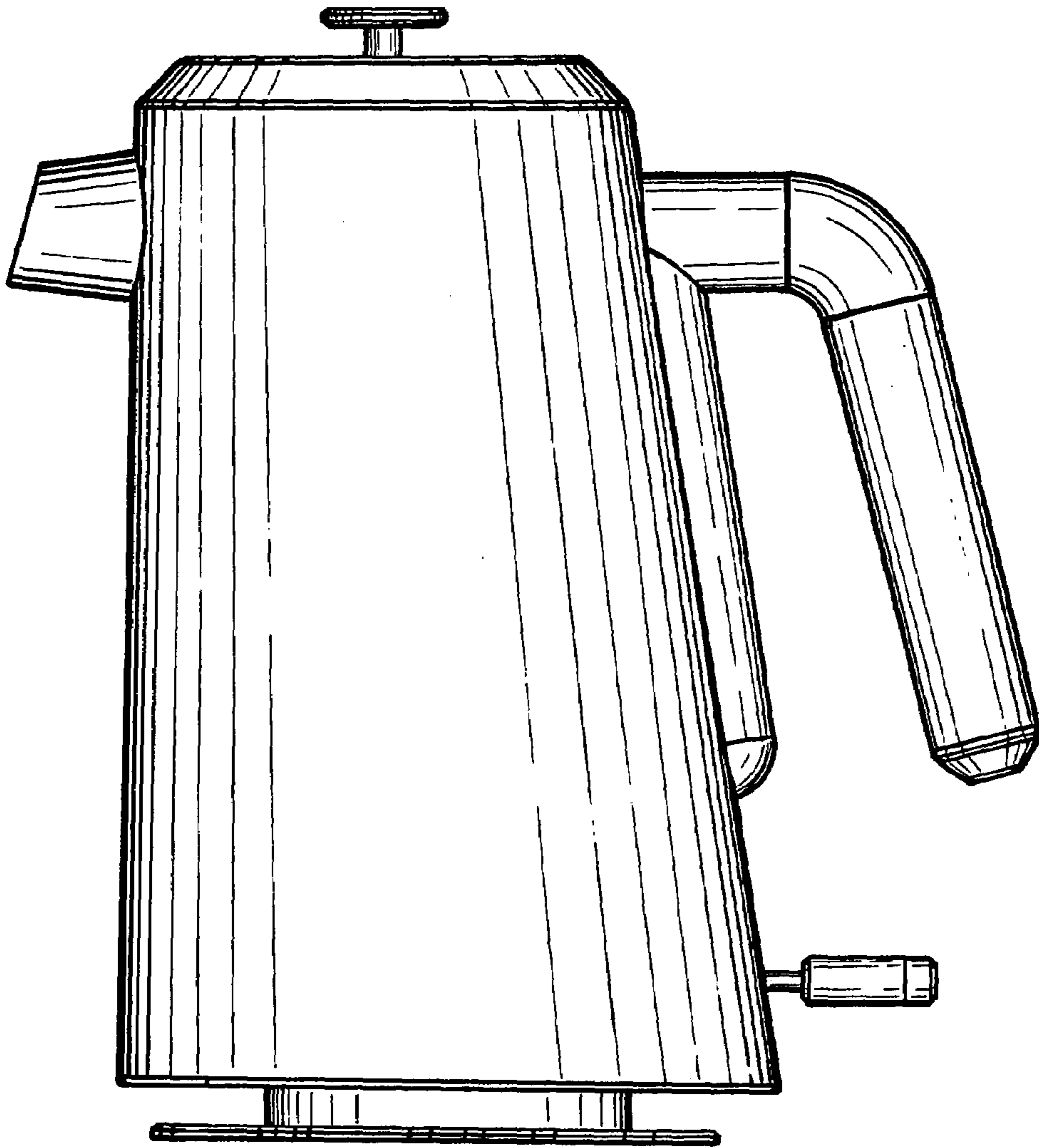


FIG. 5