



US00D553889S

(12) **United States Design Patent** (10) **Patent No.:** **US D553,889 S**
Egawa (45) **Date of Patent:** **** Oct. 30, 2007**

(54) **SOAP CASE**
 (75) Inventor: **Tsutomu Egawa**, Tokyo (JP)
 (73) Assignee: **Otsuka Pharmaceuticals Co., Ltd.**, Tokyo (JP)
 (**) Term: **14 Years**
 (21) Appl. No.: **29/221,112**
 (22) Filed: **Jan. 12, 2005**
 (30) **Foreign Application Priority Data**
 Jul. 12, 2004 (JP) 2004-020980
 Jul. 12, 2004 (JP) 2004-020982

JP	29-6765	6/1954
JP	289842	1/1969
JP	358432	1/1973
JP	48-21943	3/1973
JP	48-65538	8/1973
JP	410555	12/1975
JP	51-26049	2/1976
JP	53-29536	3/1978
JP	521764	1/1980
JP	551298-1	4/1982
JP	608392	9/1983
JP	63-3290	1/1988
JP	724837	2/1988
JP	1-171290	12/1989
JP	1053257	11/1999
JP	1085586	9/2000
JP	1104980	4/2001

* cited by examiner

(51) **LOC (8) Cl.** **06-04**
 (52) **U.S. Cl.** **D6/536**
 (58) **Field of Classification Search** D6/396,
 D6/432, 434-5, 440, 449, 450, 512-3, 515,
 D6/524, 527, 529, 532-533, 536, 538-540,
 D6/545, 553, 559, 563-4, 567, 573-574;
 4/605, 628; 206/77.1; 248/309.1; 249/160,
 249/170; 264/911; 312/245, 326; 422/266;
 425/318, 406, 408; 415/DIG. 46
 See application file for complete search history.

Primary Examiner—Alan P. Douglas
Assistant Examiner—Angela Lee
 (74) *Attorney, Agent, or Firm*—Finnegan, Henderson,
 Farabow, Garrett & Dunner, L.L.P.

(57) **CLAIM**

The ornamental design for soap case, as shown and described.

DESCRIPTION

FIG. 1 is a front view of the soap case, the cover portion thereof being translucent;
 FIG. 2 is a rear view thereof;
 FIG. 3 is a top view thereof;
 FIG. 4 is a bottom view thereof;
 FIG. 5 is a sectional view taken along the line 5—5 of FIG. 4;
 FIG. 6 is a sectional view taken along the line 6—6 of FIG. 4;
 FIG. 7 is a right side view thereof; and,
 FIG. 8 is a left side view thereof.

(56) **References Cited**

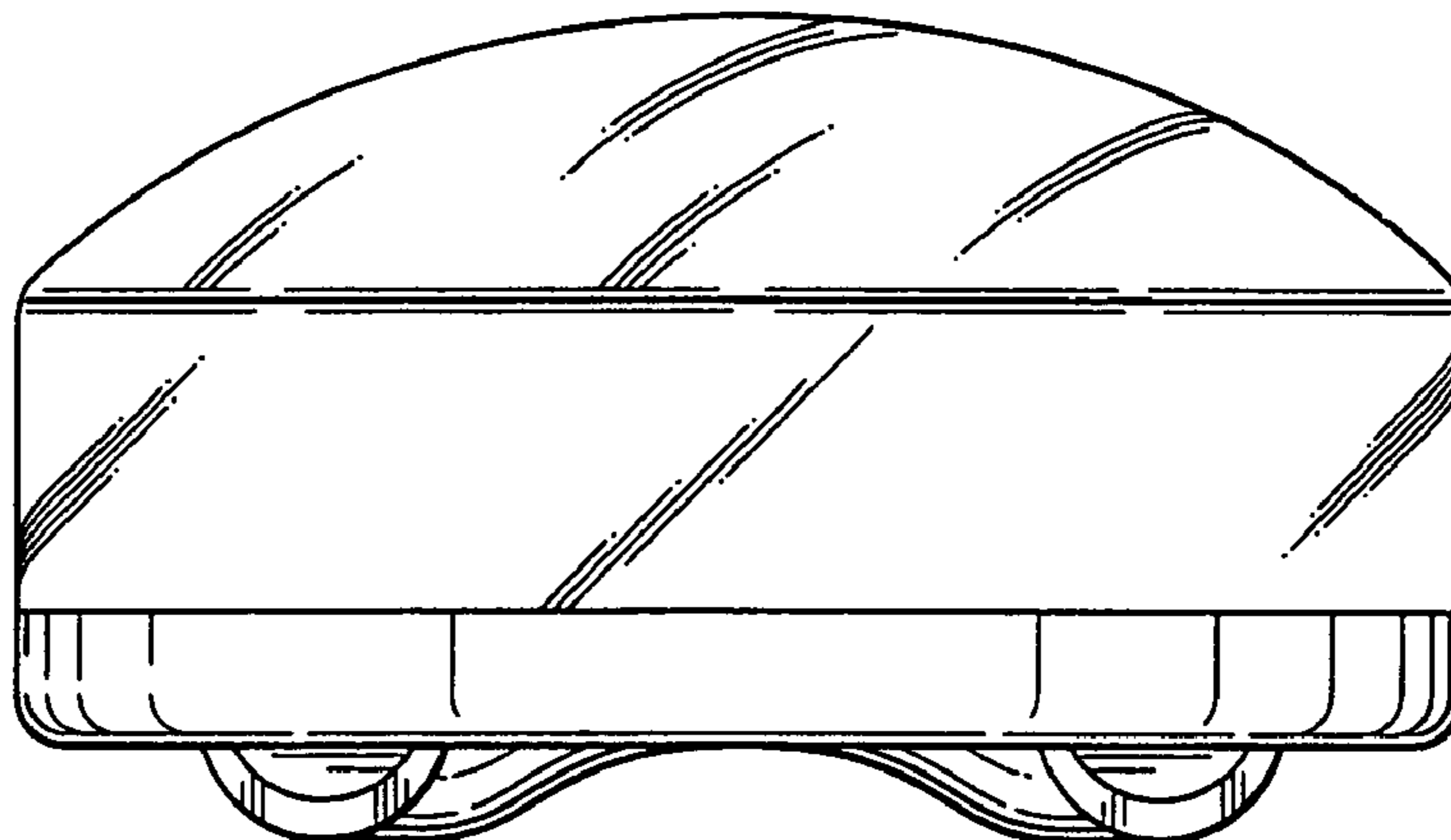
U.S. PATENT DOCUMENTS

2,454,083	A *	11/1948	Nemeth	312/351
2,867,940	A *	1/1959	Pitton	220/660
3,681,806	A *	8/1972	Han	15/105
4,371,140	A *	2/1983	von Obstfelder	248/686
D341,501	S *	11/1993	Tiramani et al.	D6/536
D356,914	S *	4/1995	Cecula	D6/536
D365,483	S *	12/1995	Van Dyk	D6/536
D394,773	S *	6/1998	Patel	D6/536
2005/0189242	A1 *	9/2005	Vitye	206/77.1

FOREIGN PATENT DOCUMENTS

JP	27-9163	10/1952
JP	29-373	1/1954
JP	29-6764	6/1954

1 Claim, 4 Drawing Sheets



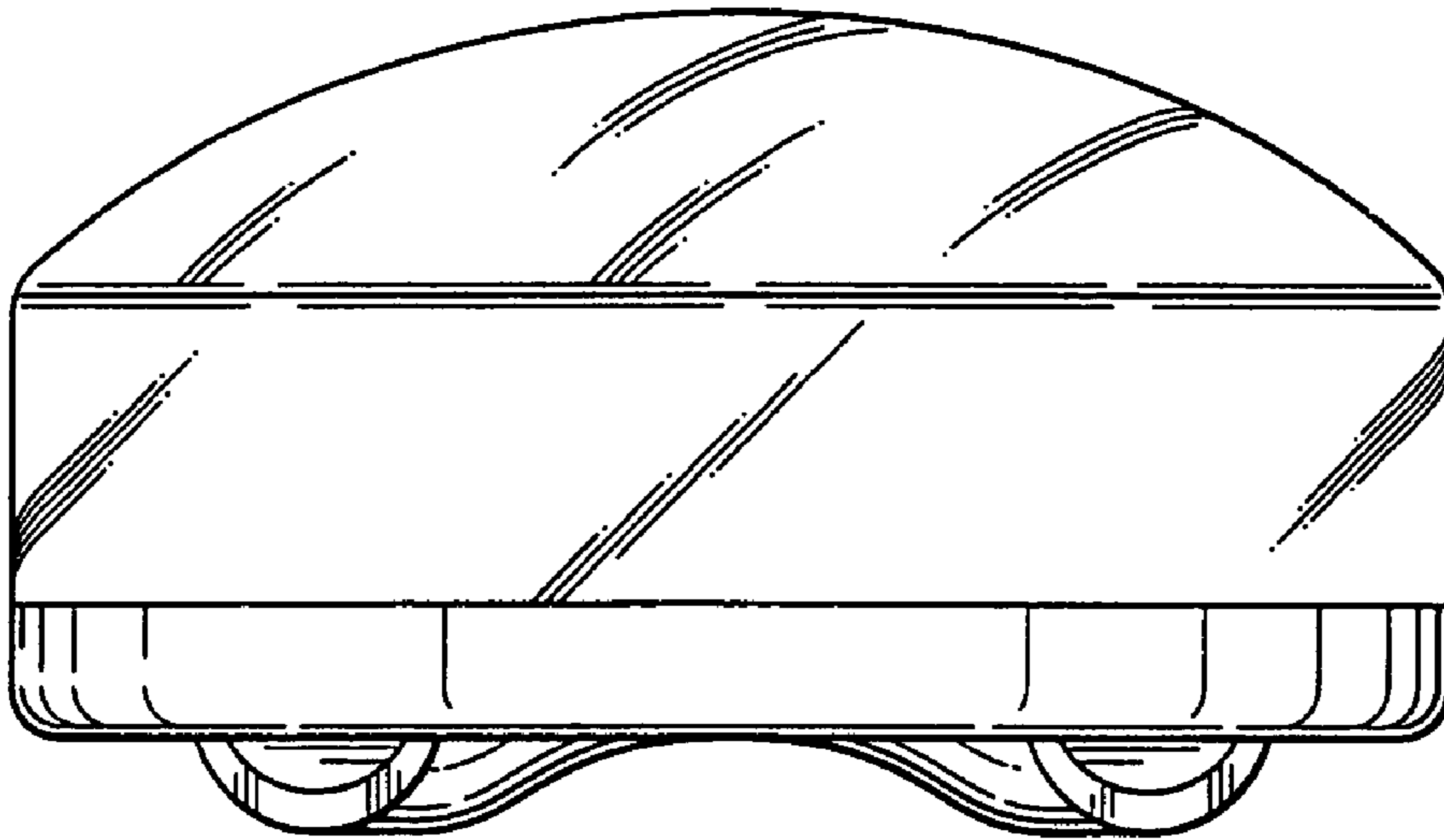


FIG. 1

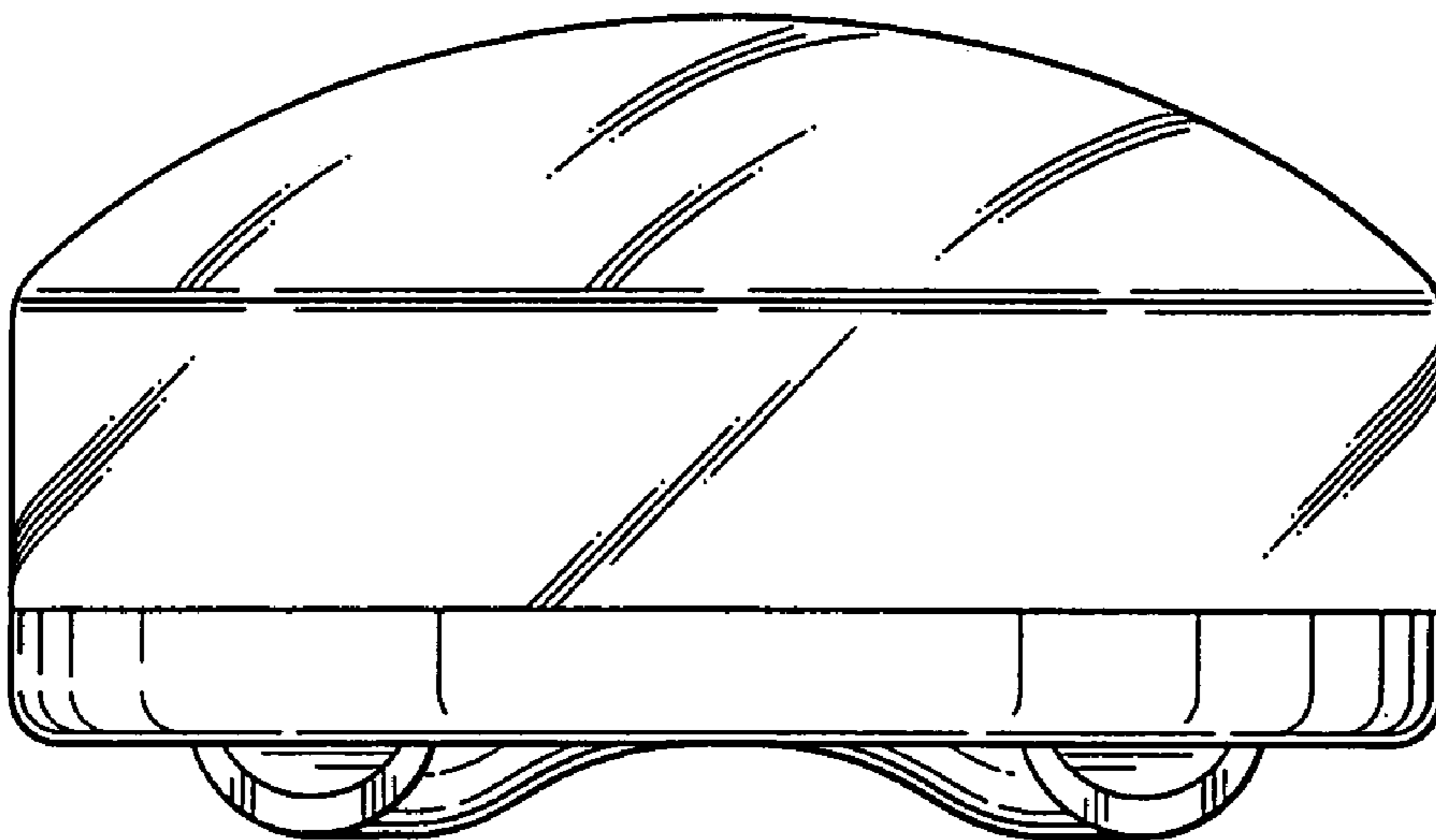


FIG. 2

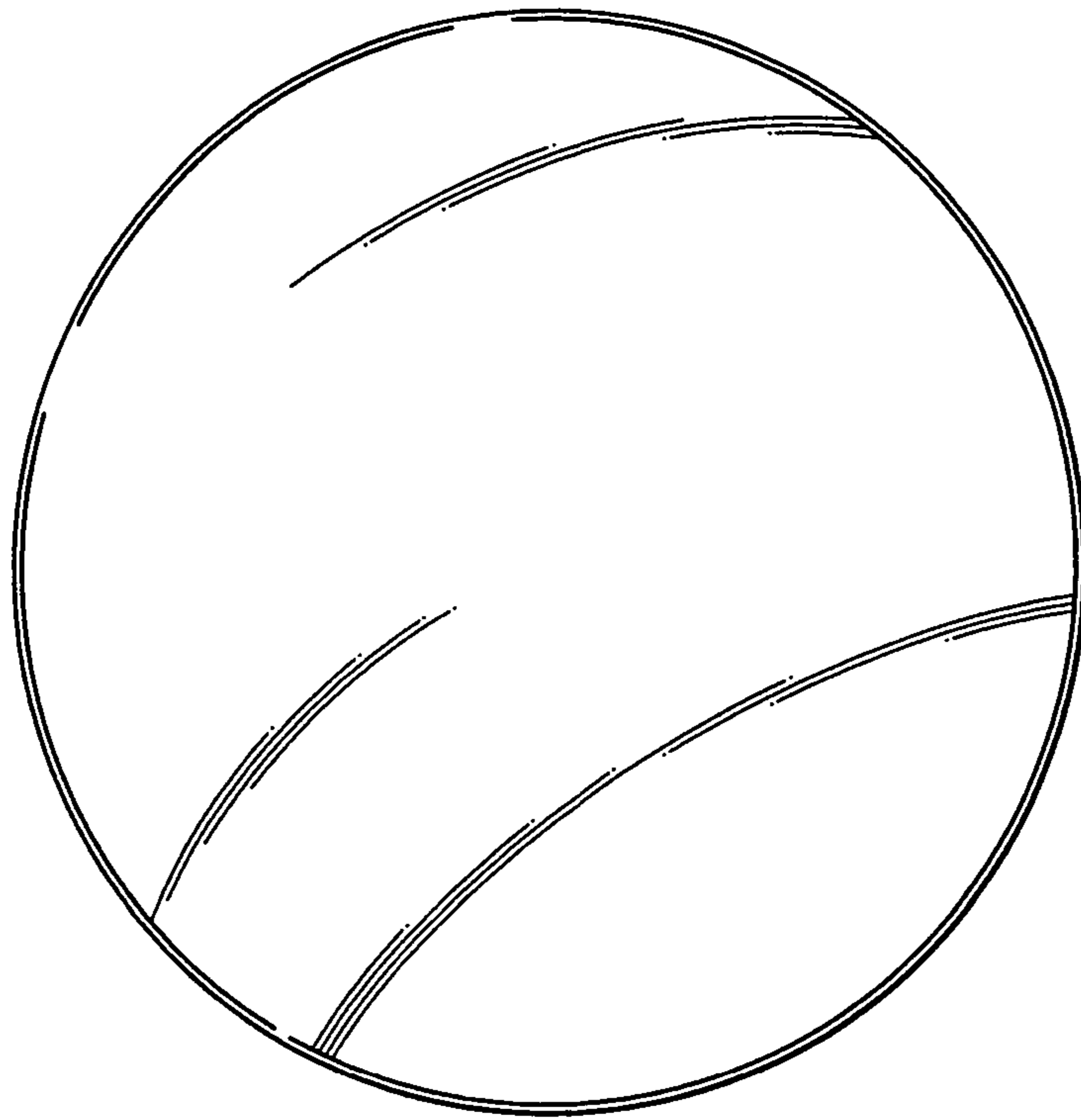


FIG. 3

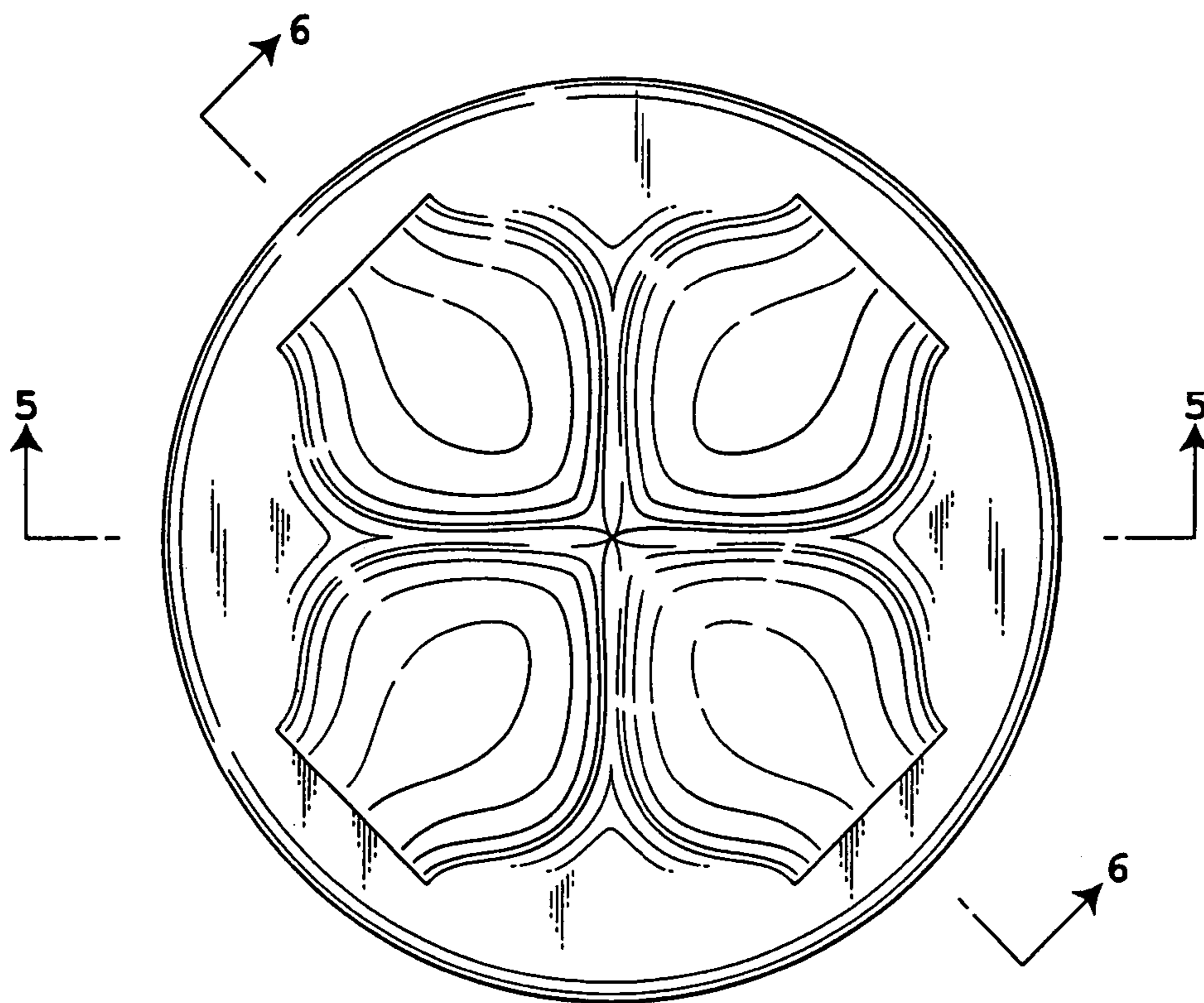


FIG. 4

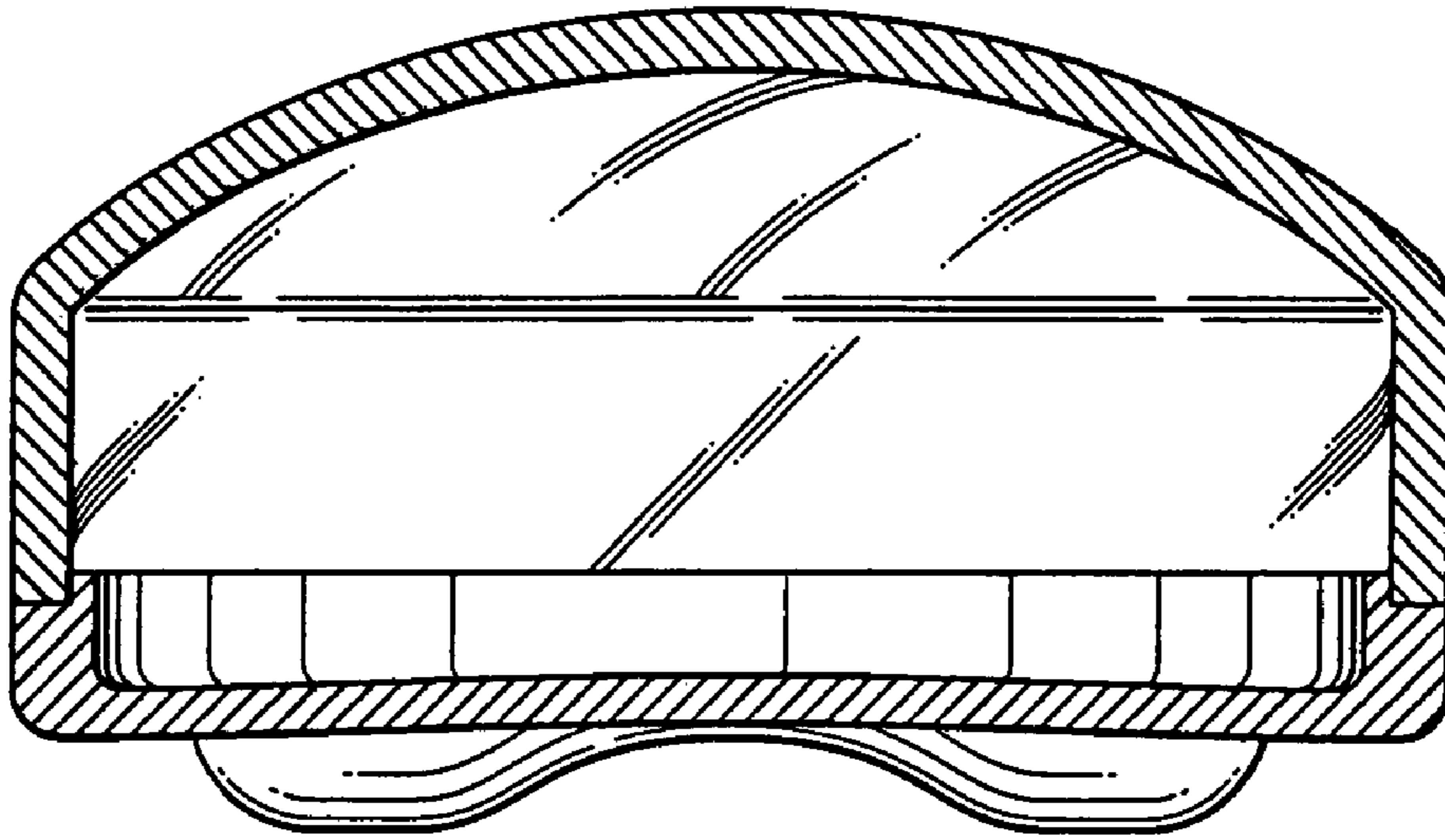


FIG. 5

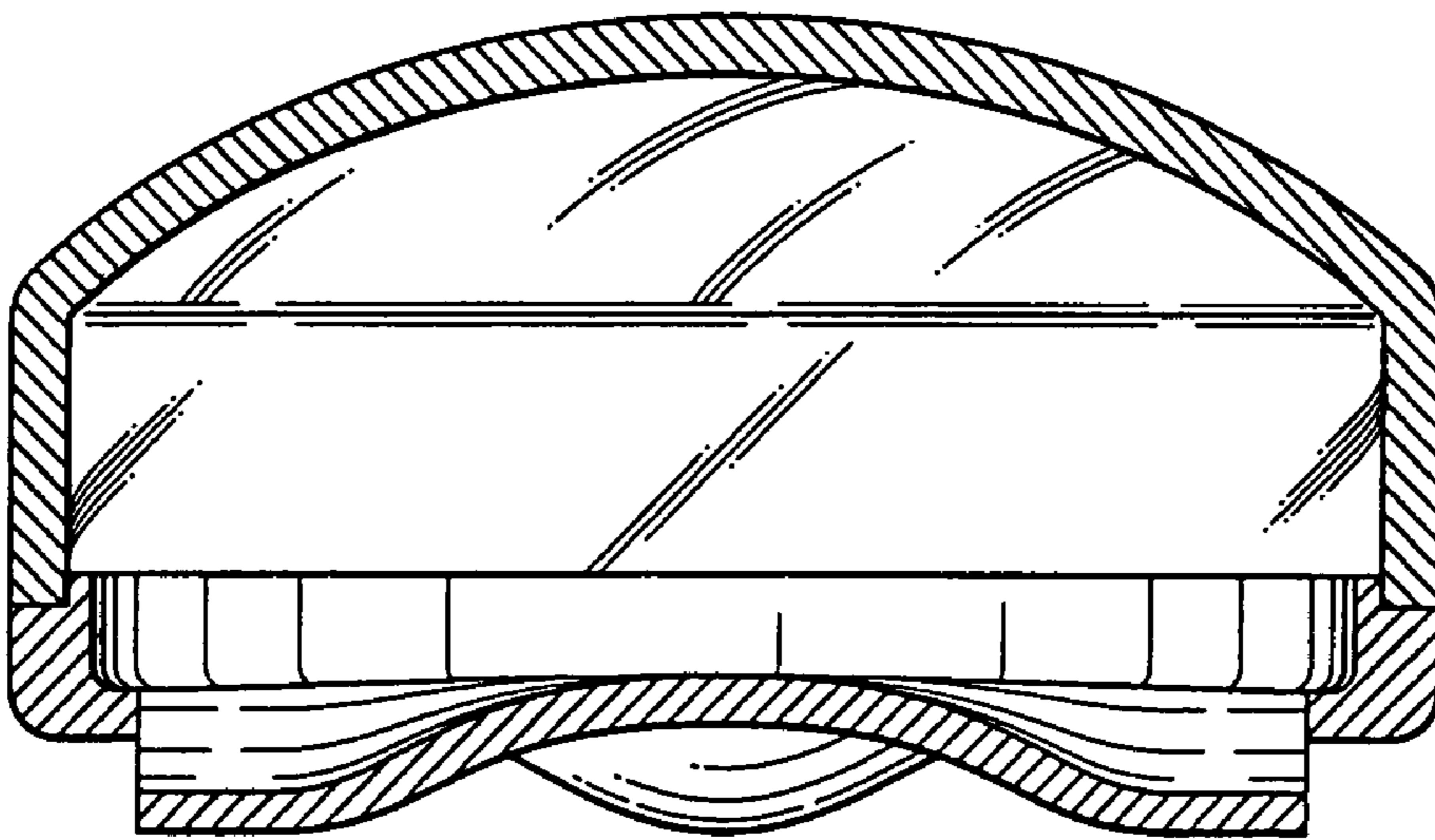


FIG. 6

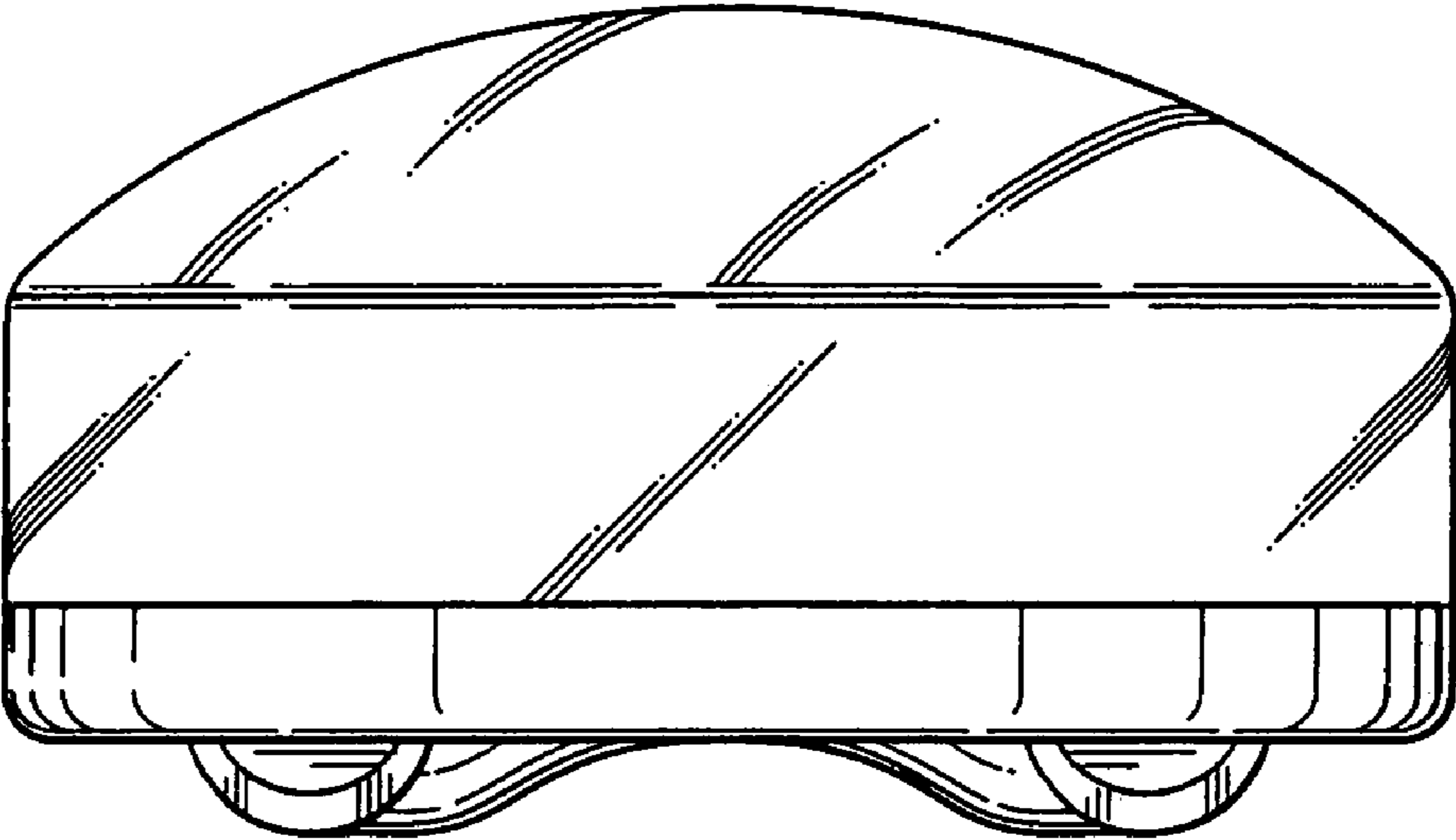


FIG. 7

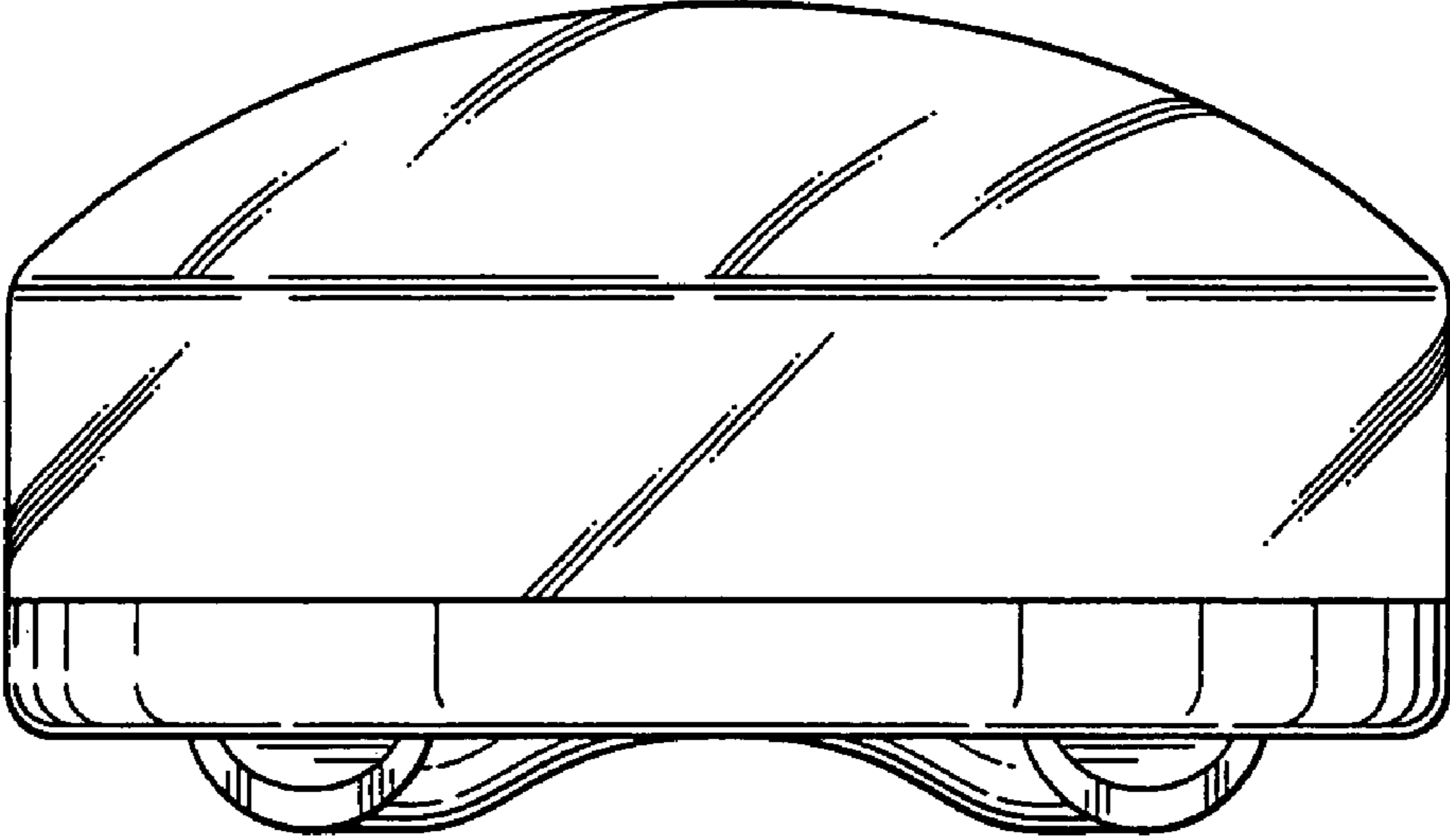


FIG. 8