



US00D553888S

(12) **United States Design Patent** (10) **Patent No.:** **US D553,888 S**
Pressler (45) **Date of Patent:** **** Oct. 30, 2007**

(54) **SINK ORGANIZER**

(76) Inventor: **Shula Pressler**, 17530 Tuba St.,
Northridge, CA (US) 91325

(**) Term: **14 Years**

(21) Appl. No.: **29/246,856**

(22) Filed: **May 16, 2006**

(51) **LOC (8) Cl.** **23-02**

(52) **U.S. Cl.** **D6/524**

(58) **Field of Classification Search** D6/524,
D6/542-545; 222/92, 105, 173, 180, 181.1,
222/181.3; 221/282-283; 206/77.1

See application file for complete search history.

(56) **References Cited**

U.S. PATENT DOCUMENTS

4,039,104	A *	8/1977	Mijares et al.	222/181.3
D290,434	S	6/1987	Brown	
D324,619	S *	3/1992	Comstock et al.	D6/544
D341,742	S *	11/1993	Ornatowski	D6/545
D341,973	S	12/1993	Gerstmar	
D399,131	S	10/1998	Eichler	
D414,362	S	9/1999	Olmos	
D465,367	S	11/2002	Pruijssers	
6,530,502	B2	3/2003	Neal	
2005/0133538	A1	6/2005	Herrmann	

* cited by examiner

Primary Examiner—Brian N Vinson
(74) *Attorney, Agent, or Firm*—QuickPatents, Inc.; Kevin Prince

(57) **CLAIM**

I claim the ornamental design for a sink organizer, as shown and described.

DESCRIPTION

FIG. 1 is a perspective drawing of the invention, illustrating a plurality of dispensers of the present design and dispenser pumps in phantom outline, the dispenser pumps not constituting a part of the present design.

FIG. 2 is a front elevational view of the invention.

FIG. 3 is a rear elevational view of the invention, illustrating a towel rack and a sponge holder of the present design.

FIG. 4 is a left-side elevational view of the invention.

FIG. 5 is a right-side elevational view of the invention.

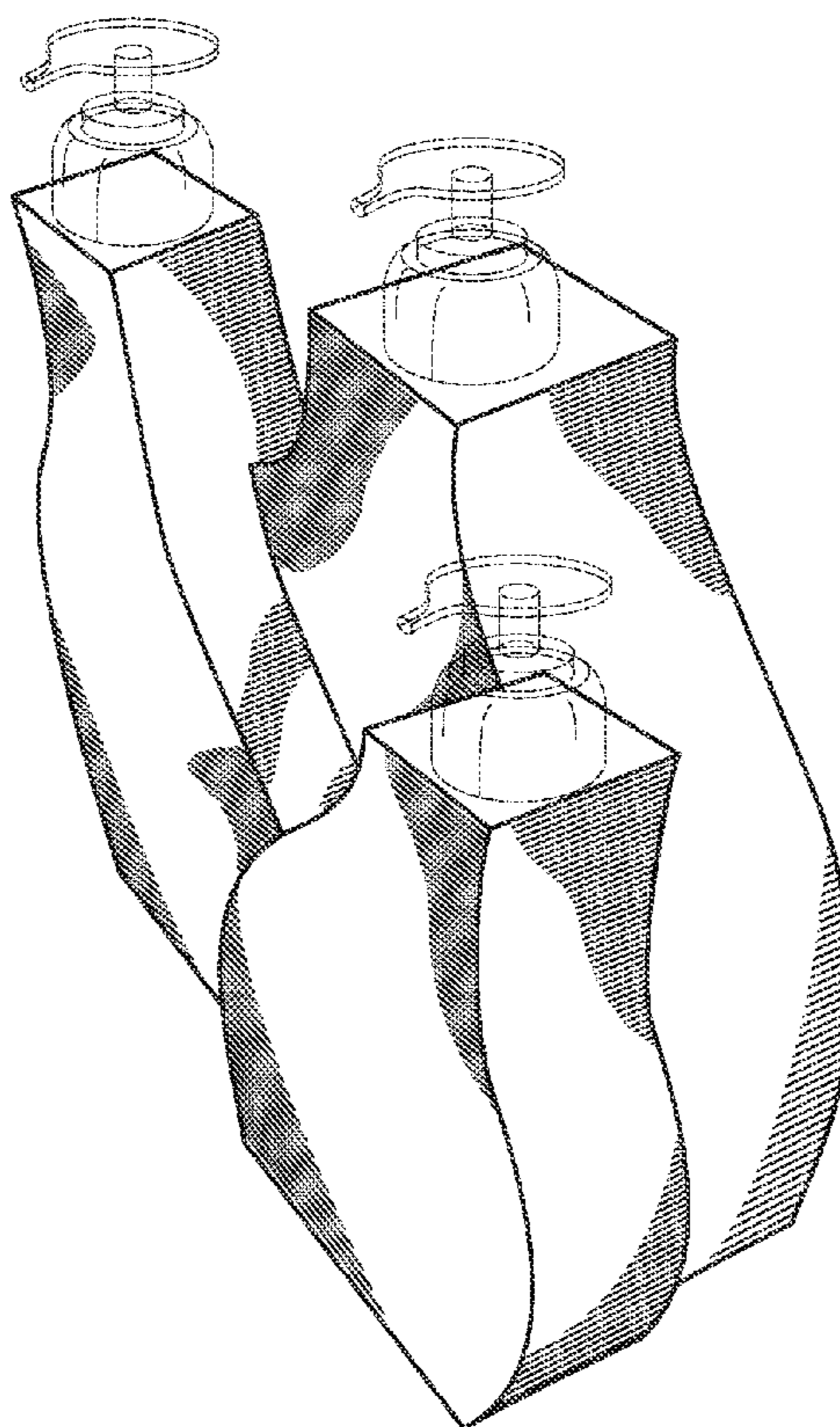
FIG. 6 is a bottom plan view of the invention, illustrating apertures in a bottom portion of the sponge holder.

FIG. 7 is a top plan view of the invention.

FIG. 8 is a cross-sectional view of the invention, taken generally along lines 8—8 of FIG. 3; and,

FIG. 9 is a cross-sectional view of the invention, taken generally along lines 9—9 of FIG. 2.

1 Claim, 3 Drawing Sheets



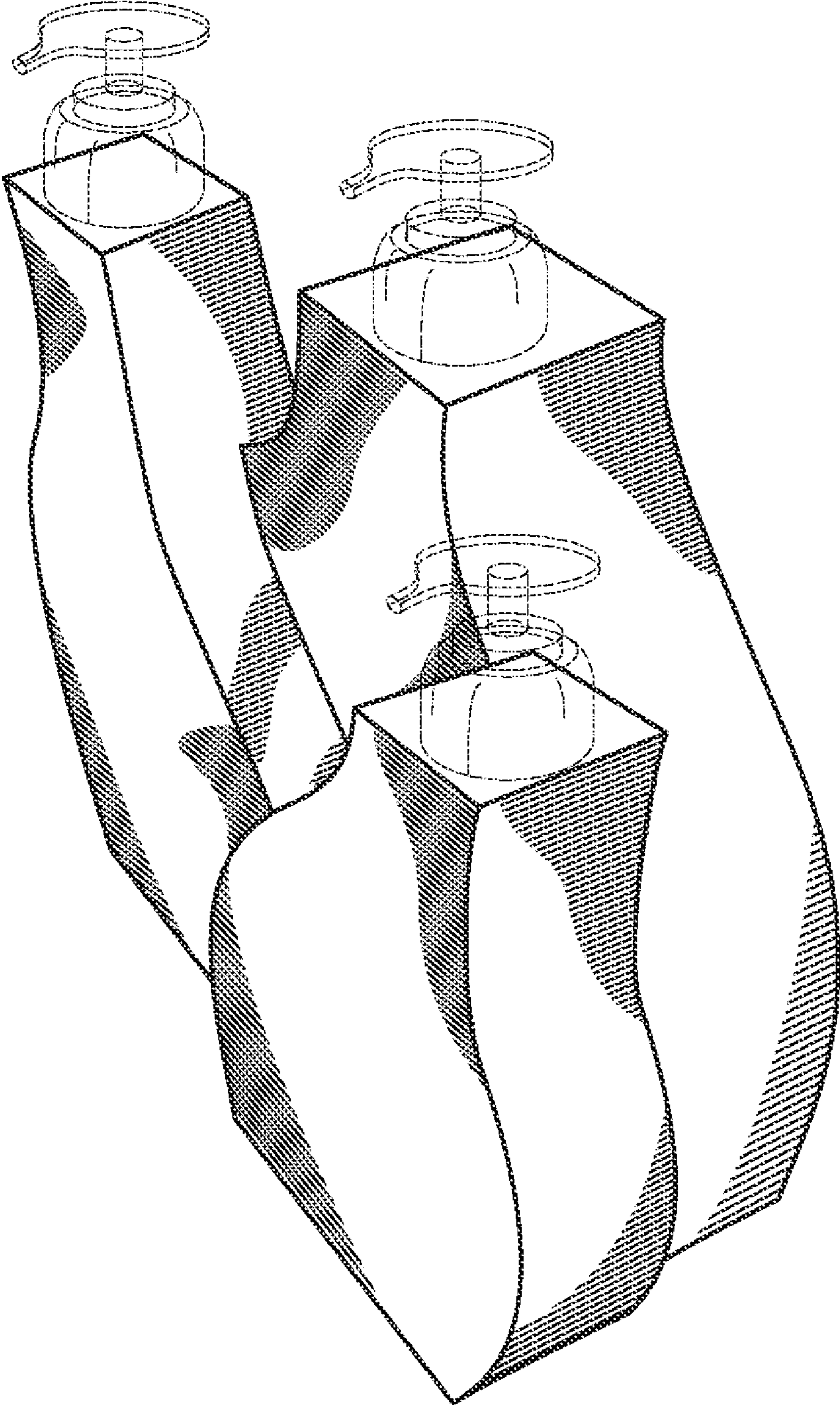


FIG. 1

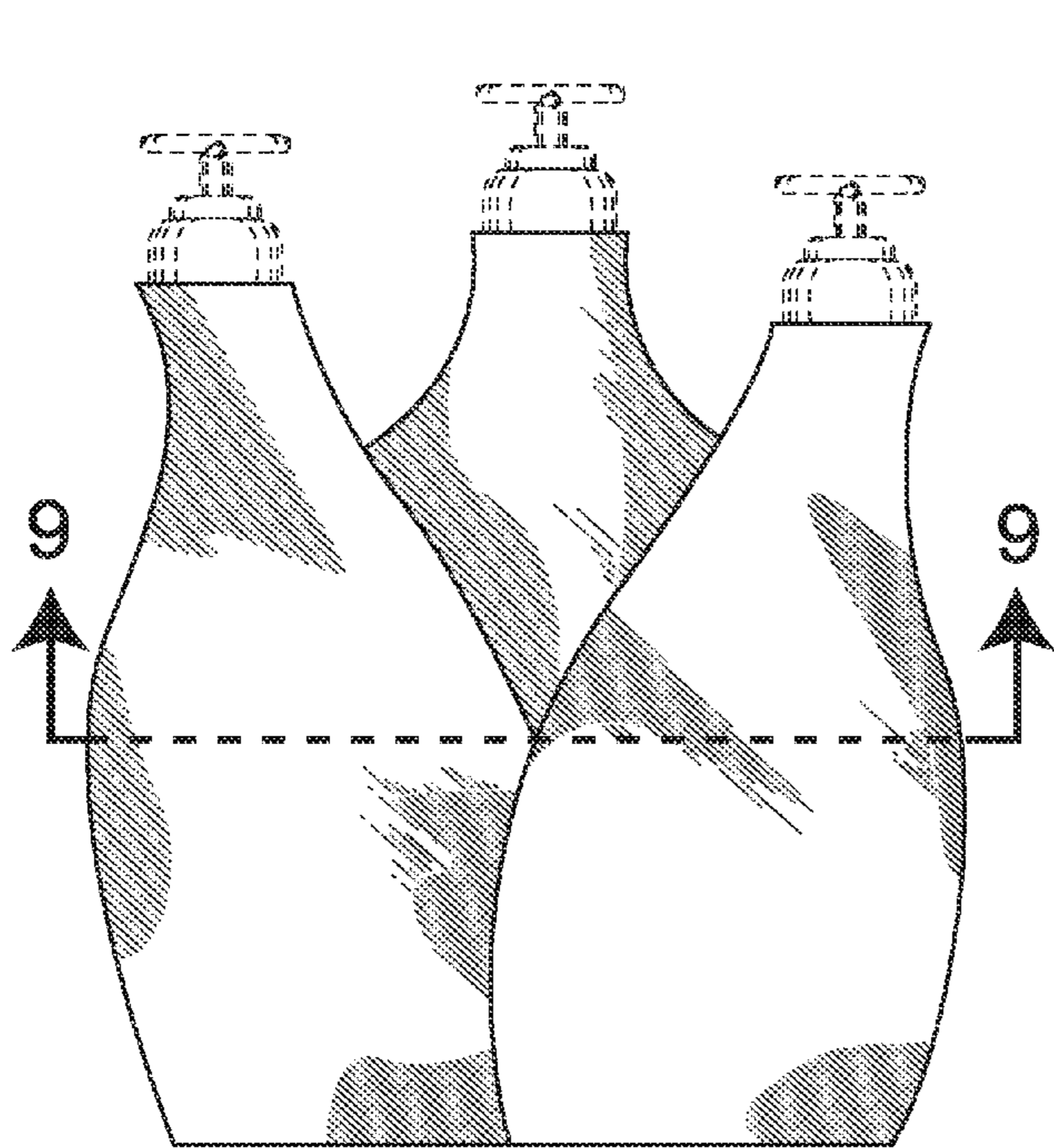


FIG. 2

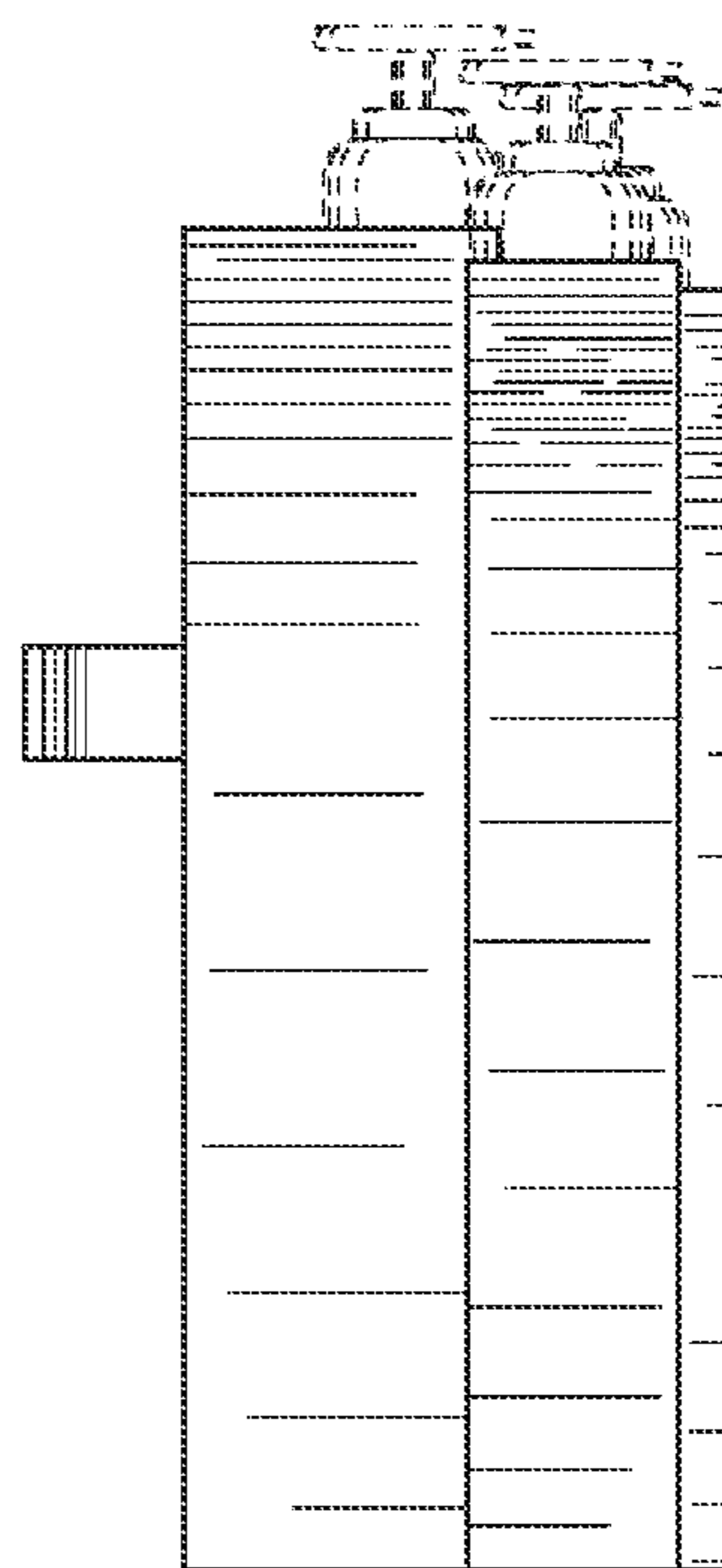


FIG. 5

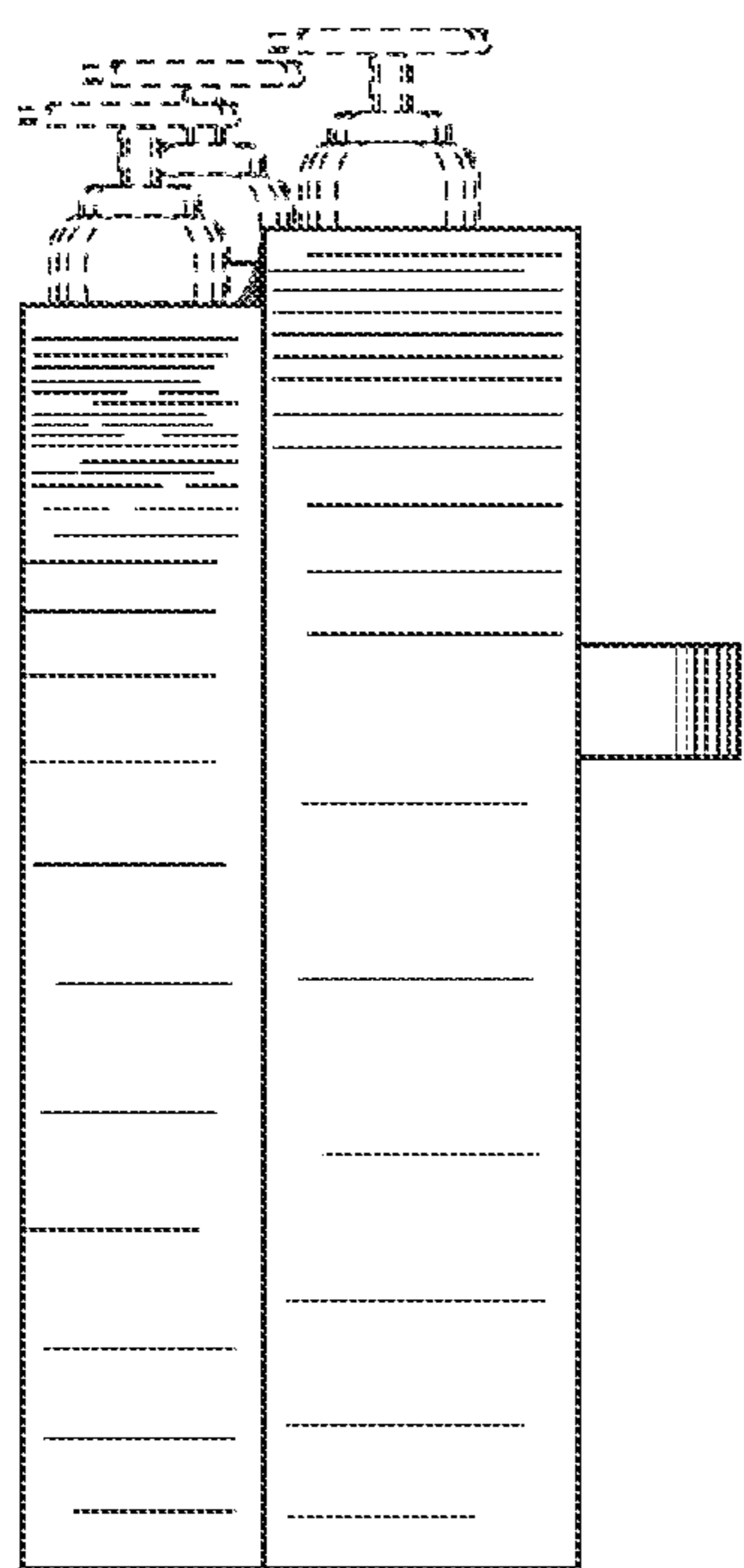


FIG. 4

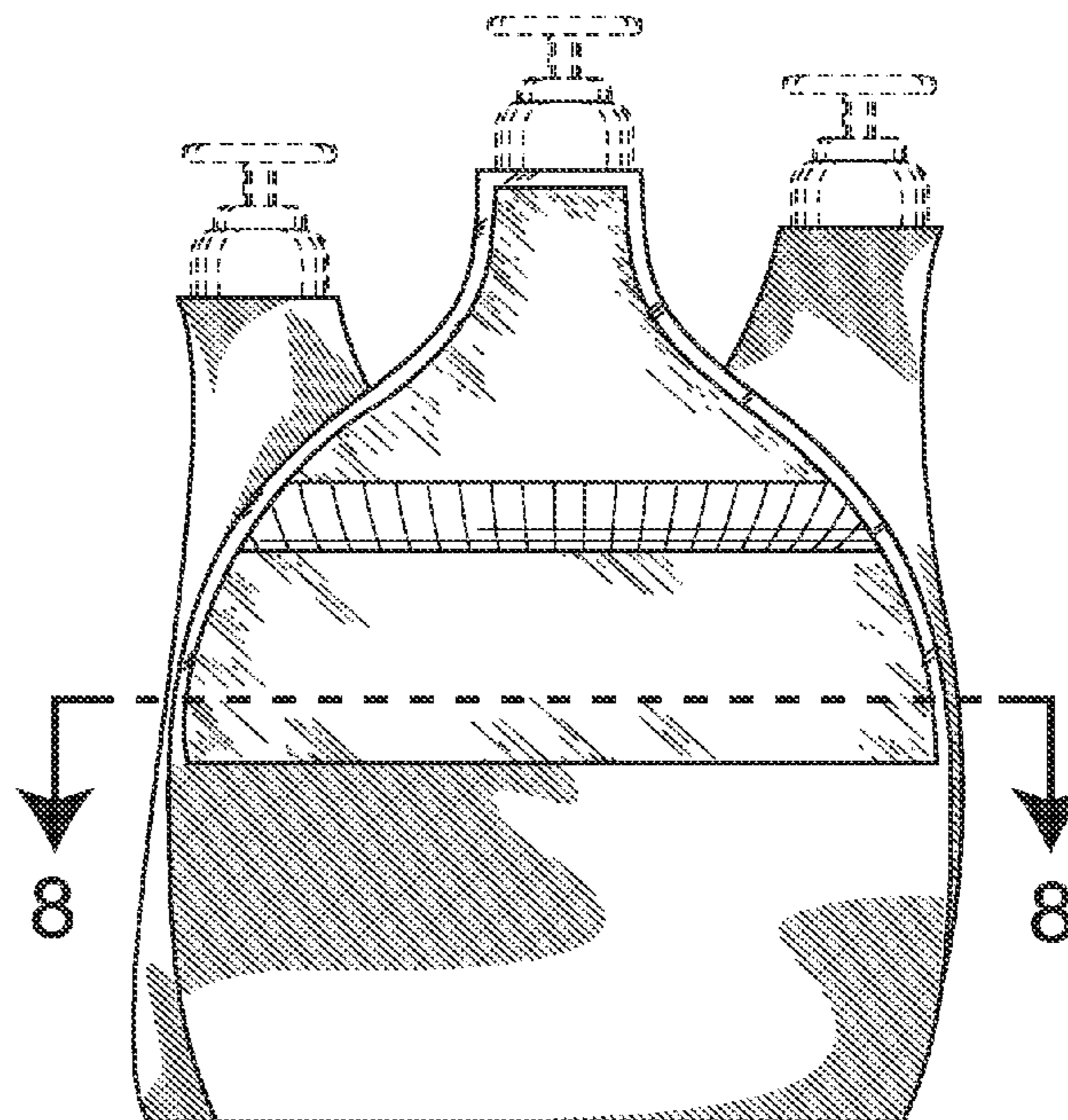


FIG. 3

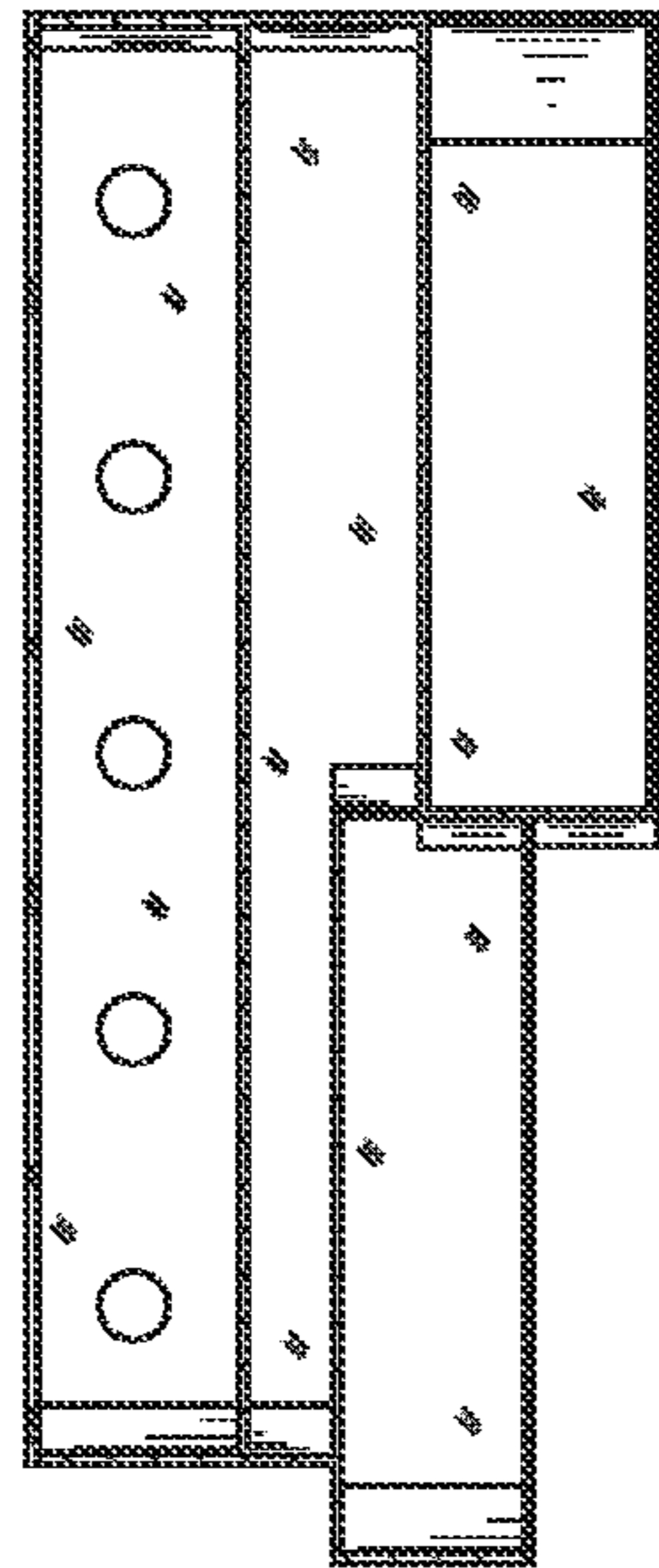


FIG. 8

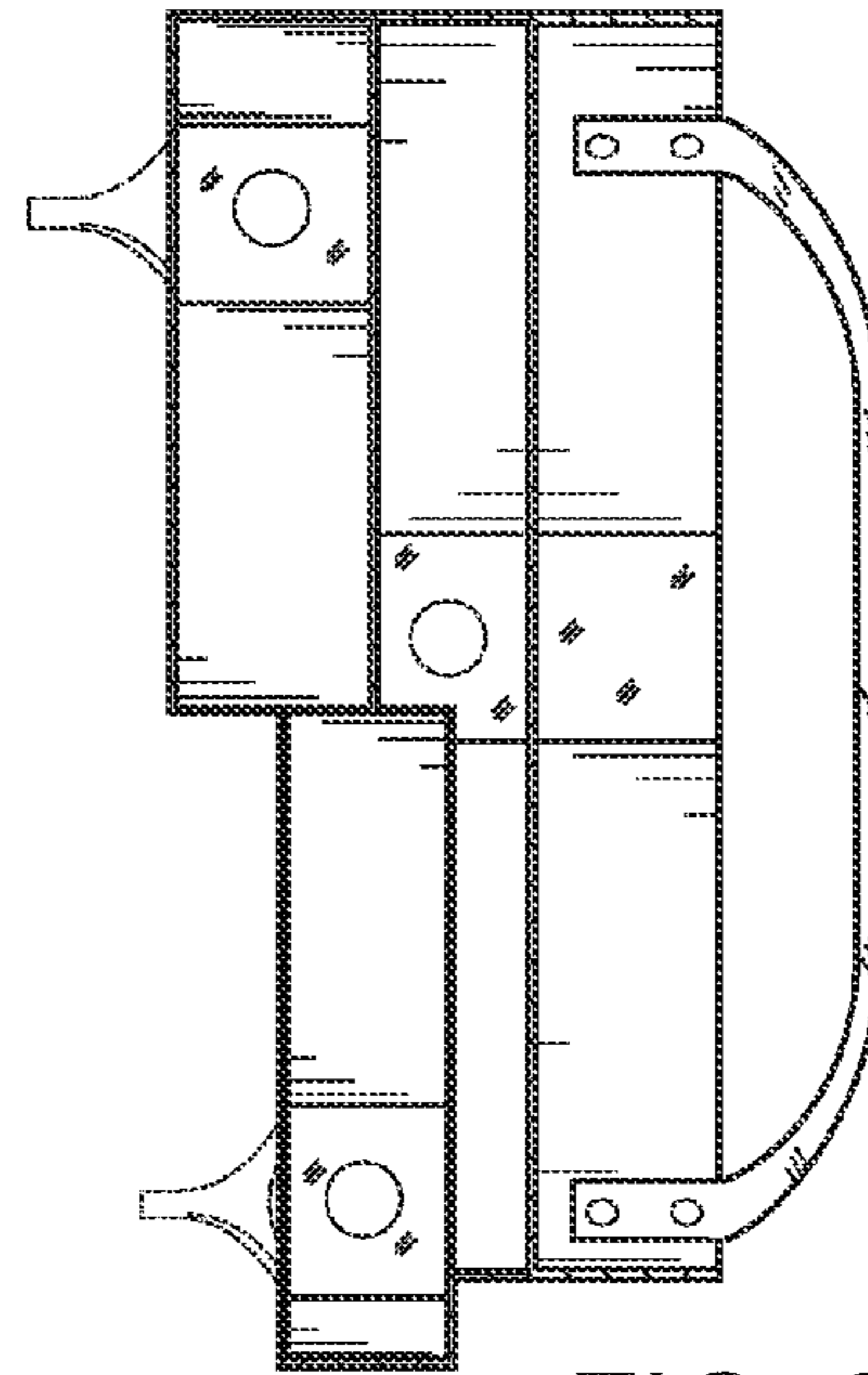


FIG. 9

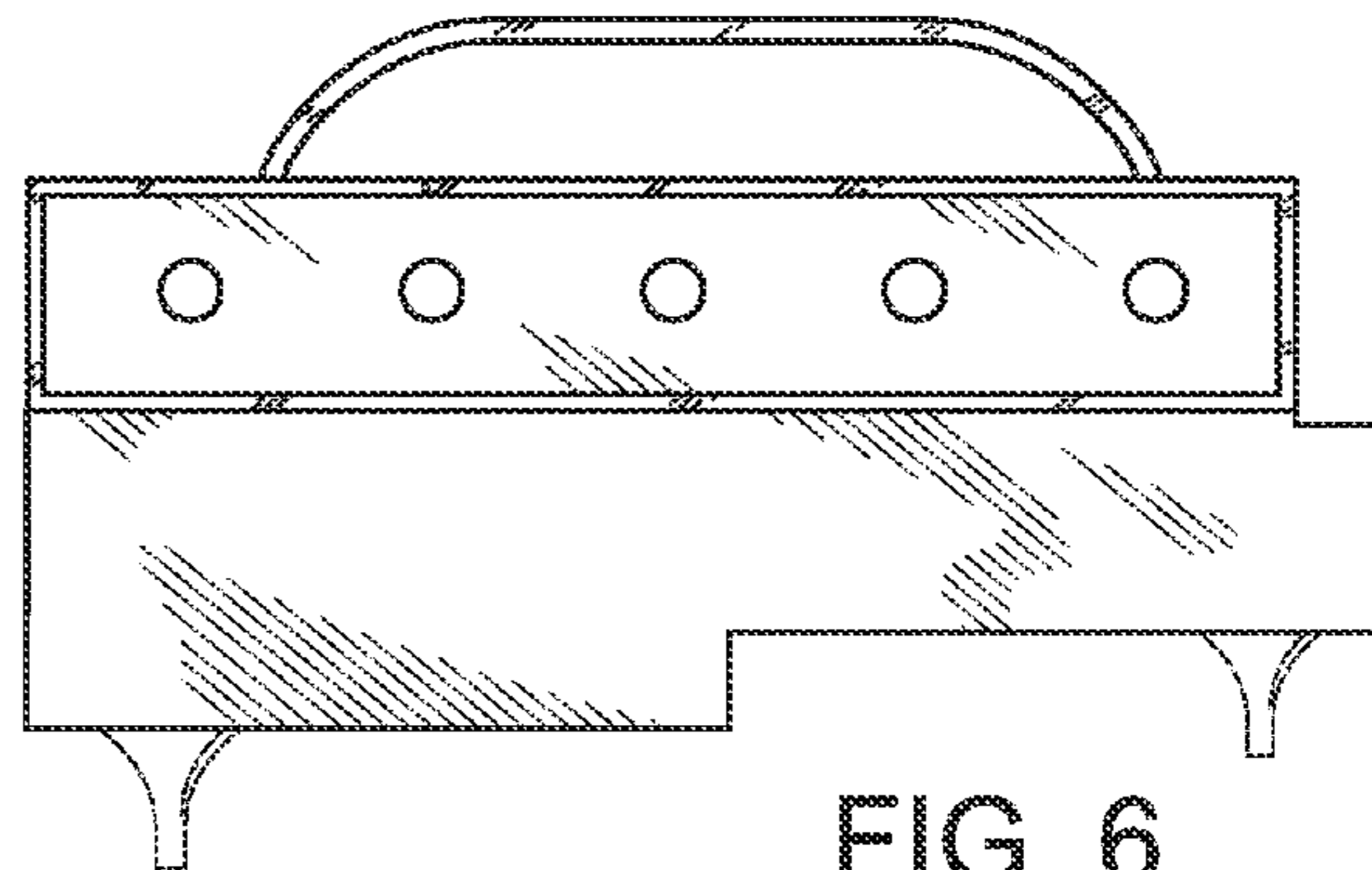


FIG. 6

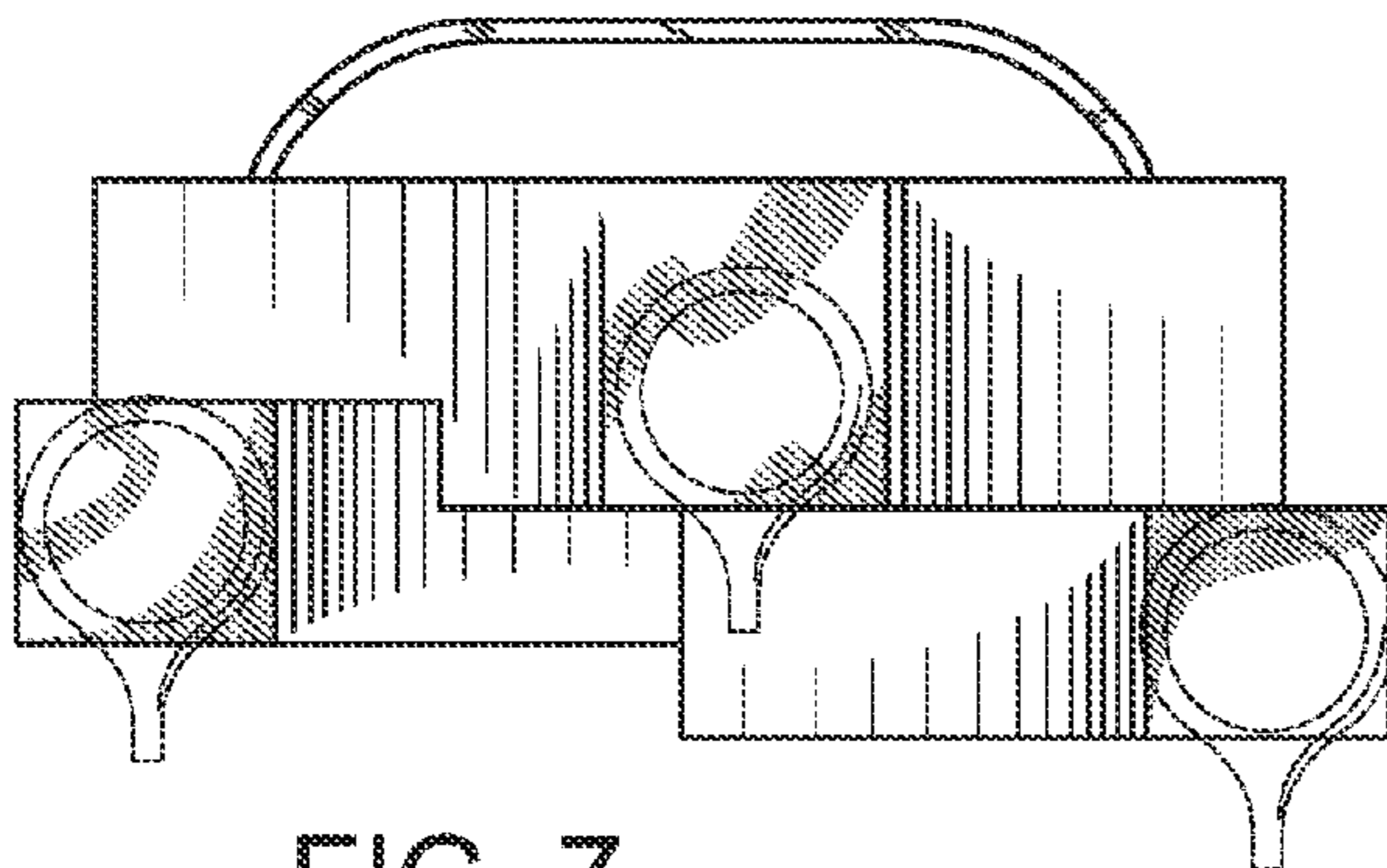


FIG. 7