



US00D553887S

(12) **United States Design Patent**
Goodman et al.

(10) **Patent No.:** **US D553,887 S**

(45) **Date of Patent:** **** Oct. 30, 2007**

(54) **UNDER-THE-CABINET PAPER TOWEL
HOLDER**

(75) Inventors: **Sheldon H. Goodman**, Solon, OH
(US); **Kent W. Murphy**, Wooster, OH
(US)

(73) Assignee: **Spectrum Diversified Designs, Inc.**,
Streetsboro, OH (US)

(**) Term: **14 Years**

(21) Appl. No.: **29/250,320**

(22) Filed: **Nov. 10, 2006**

(51) **LOC (8) Cl.** **23-02**

(52) **U.S. Cl.** **D6/522; D6/513**

(58) **Field of Classification Search** D6/546-550,
D6/518-519, 522-524; D8/300, 303, 315-321;
108/28-29; 211/13.1, 16, 60.1, 86.01, 87.01,
211/88.01, 88.04, 100, 105.1-105.2, 123,
211/181.1, 182; 248/175, 176.1, 251, 302;
16/110.1, 412, 415; 242/570, 590, 595-598
See application file for complete search history.

(56) **References Cited**

U.S. PATENT DOCUMENTS

D402,491 S * 12/1998 Tucker D6/513
D420,842 S * 2/2000 Thurston-Chartraw D6/513

D429,899 S * 8/2000 Schwartz D6/327
D438,413 S * 3/2001 Hawkins D6/513
D457,762 S * 5/2002 Hawkins D6/513
D540,591 S * 4/2007 Snell D6/523
D540,593 S * 4/2007 Hoernig D6/523

* cited by examiner

Primary Examiner—Brian N Vinson

(74) *Attorney, Agent, or Firm*—Pearne & Gordon LLP

(57) **CLAIM**

The ornamental design for an under-the-cabinet paper towel holder, as shown and described.

DESCRIPTION

FIG. 1 is a perspective view of an under-the-cabinet paper towel holder showing our new design;

FIG. 2 is a top plan view thereof;

FIG. 3 is a side elevational view thereof;

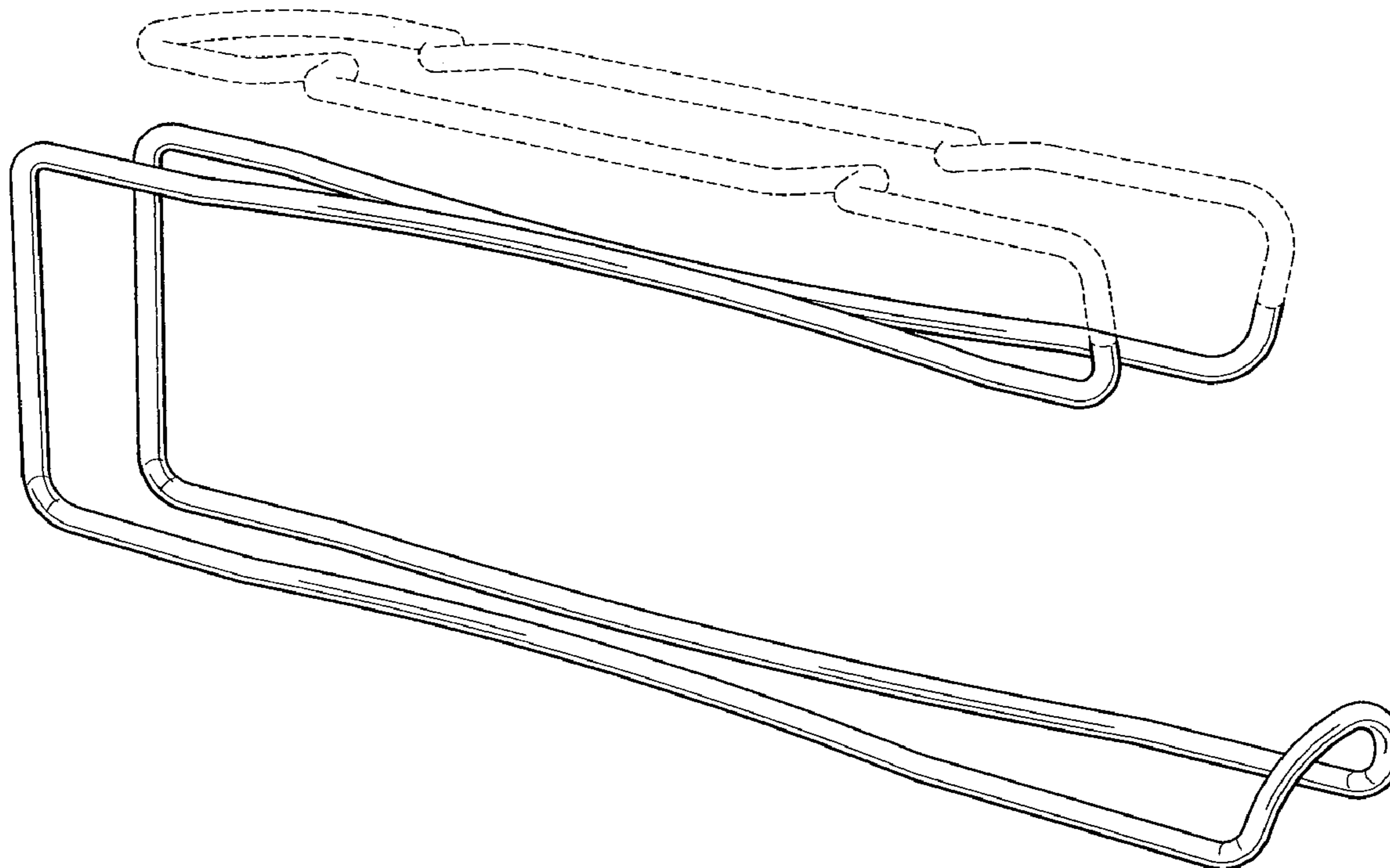
FIG. 4 is a front elevational view thereof;

FIG. 5 is a rear elevational view thereof; and,

FIG. 6 is a bottom plan view thereof.

The broken-line disclosure of elements in the views is for illustrative purposes only and forms no part of the claimed design.

1 Claim, 3 Drawing Sheets



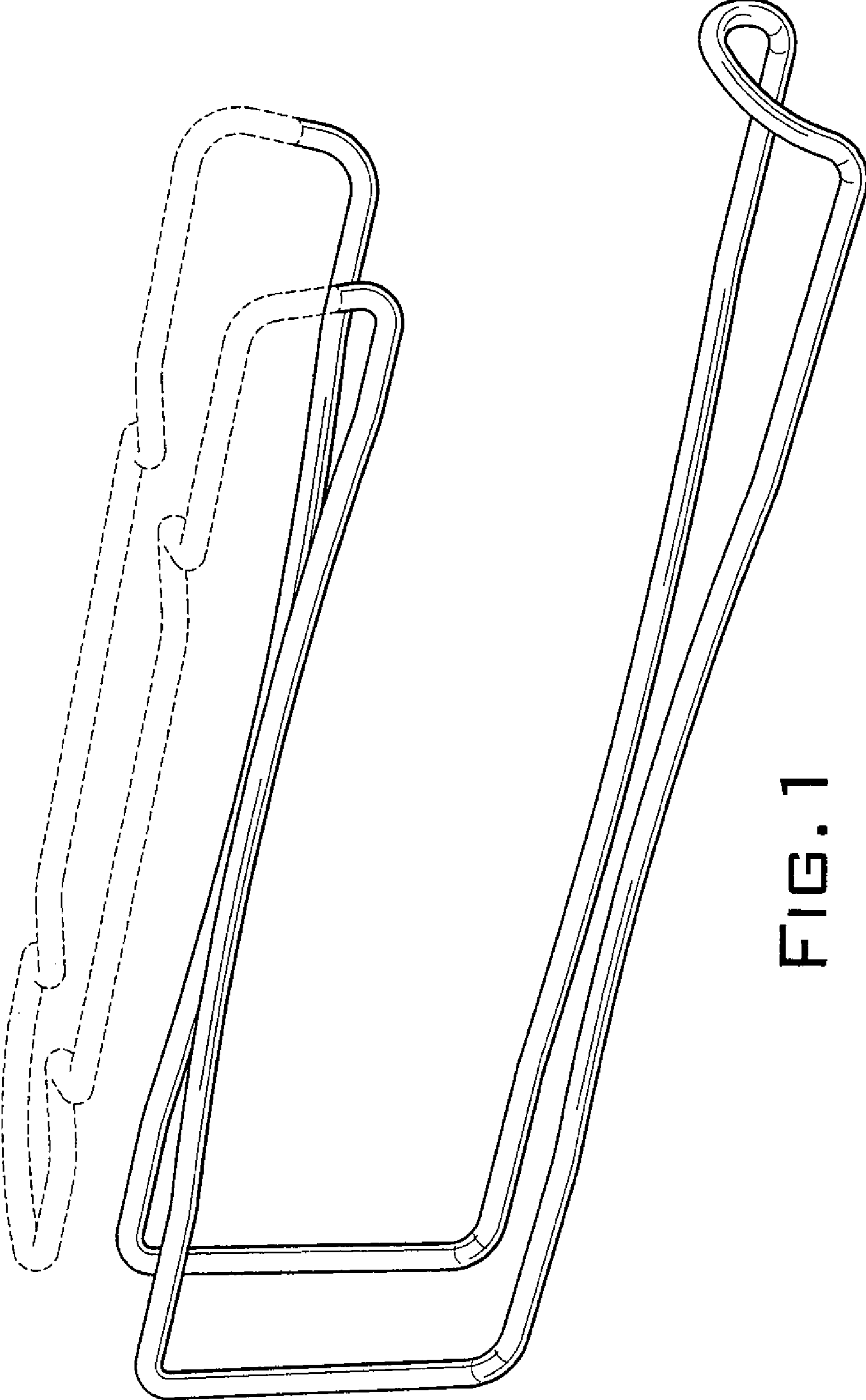


FIG. 1

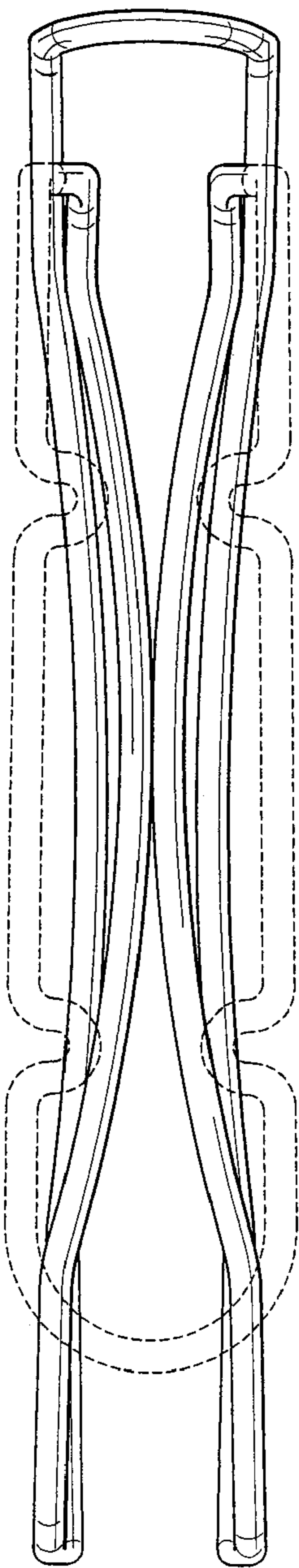


FIG. 2

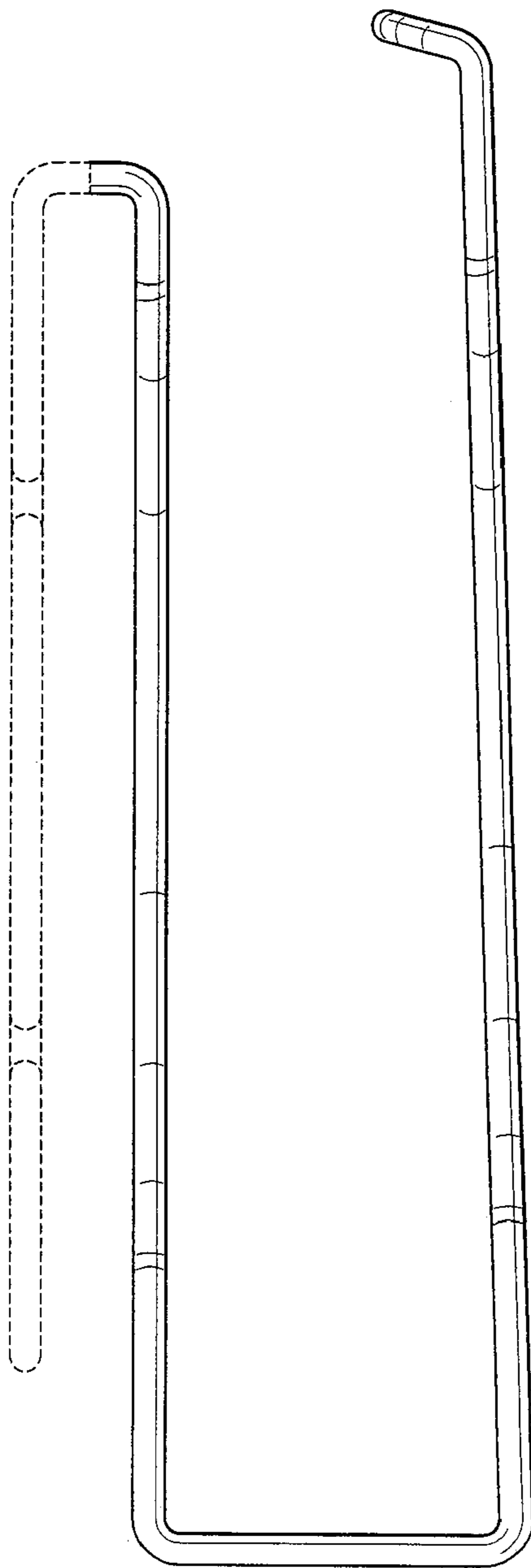


FIG. 3

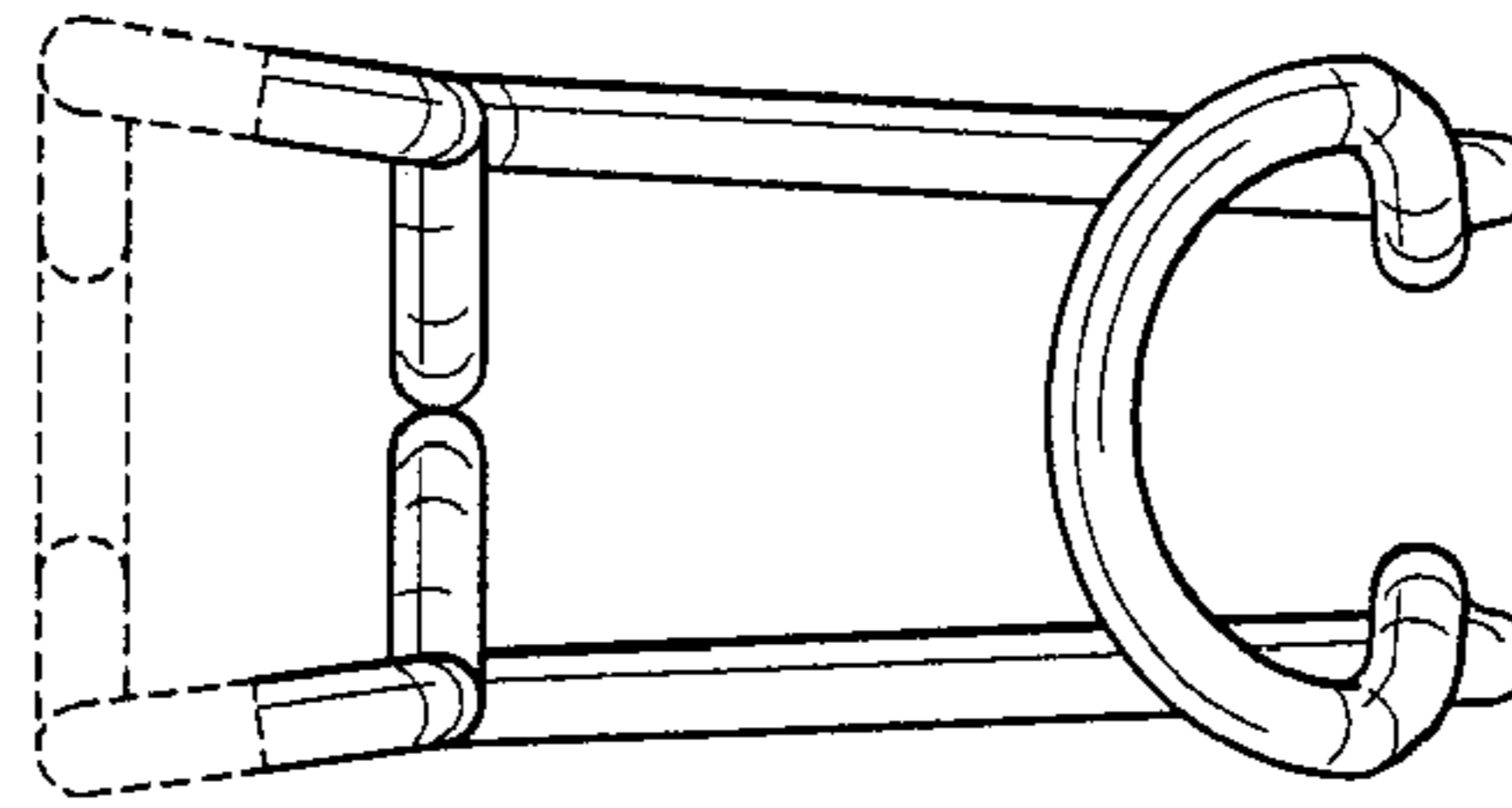


FIG. 4

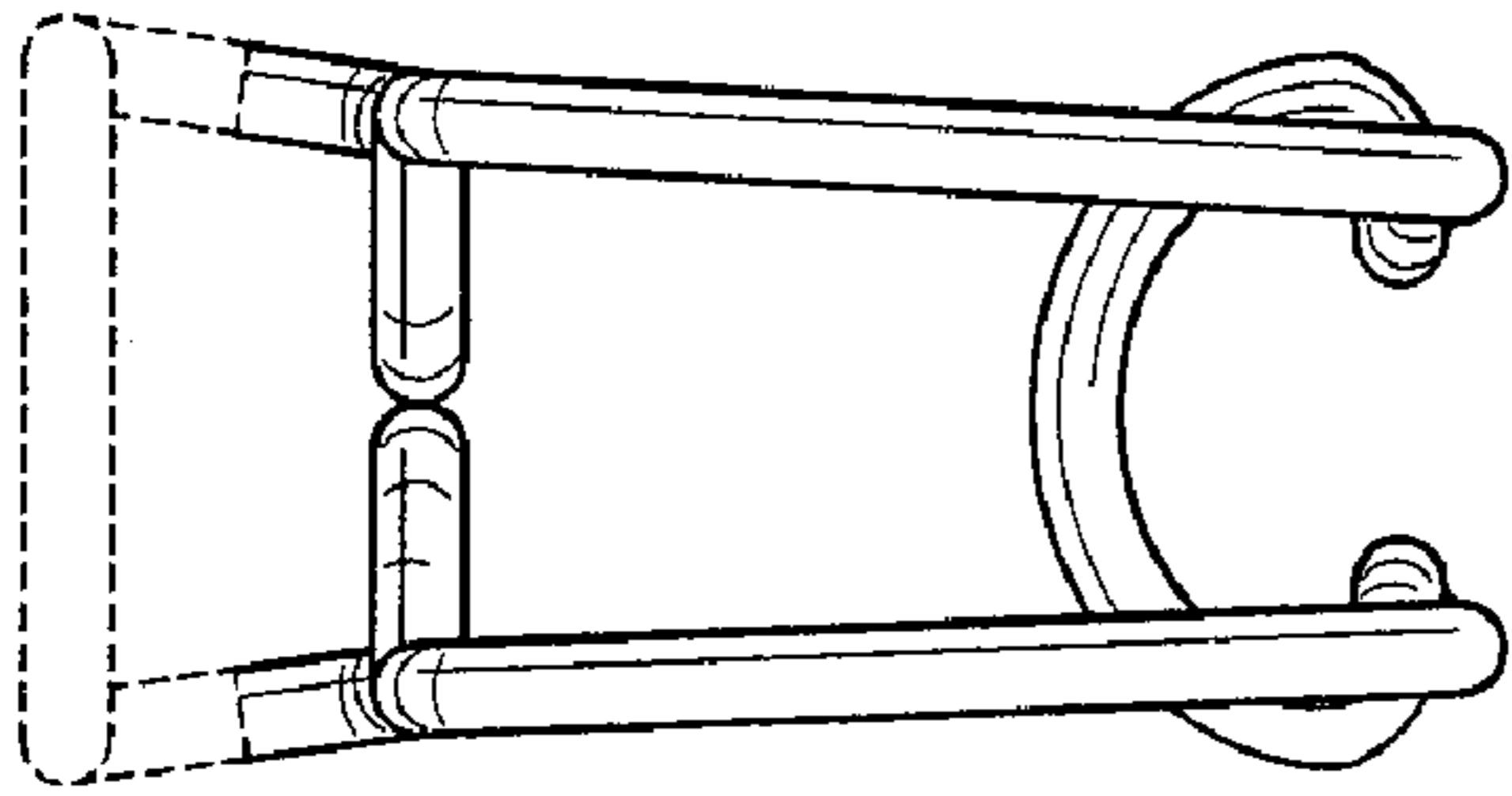


FIG. 5

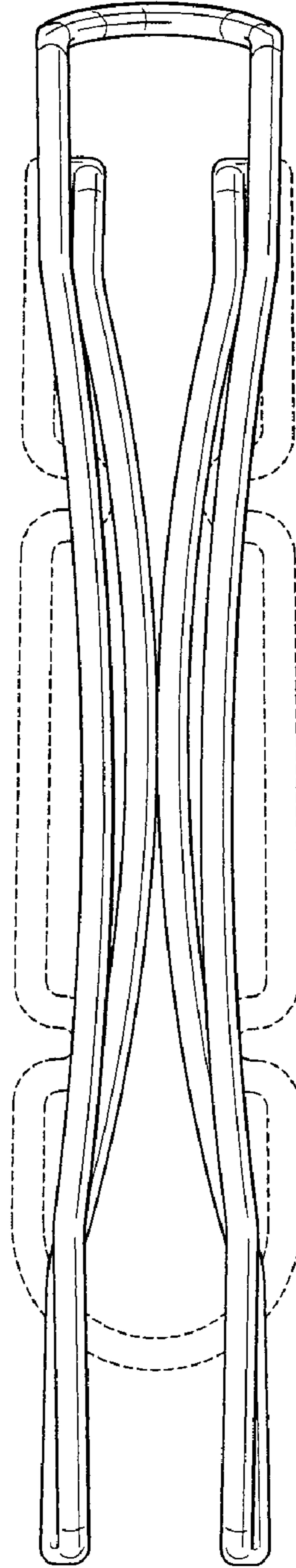


FIG. 6