



US00D553886S

(12) **United States Design Patent**
Su

(10) **Patent No.:** **US D553,886 S**

(45) **Date of Patent:** **** Oct. 30, 2007**

(54) **CHAIR BACKREST**

(76) Inventor: **Tung-Hua Su**, No. 6, Sec. 3, Bao Ta Road, Kuwi Jen Hsiang, tainan Hsien (TW)

(**) Term: **14 Years**

(21) Appl. No.: **29/278,303**

(22) Filed: **Mar. 25, 2007**

(51) **LOC (8) Cl.** **06-06**

(52) **U.S. Cl.** **D6/502**

(58) **Field of Classification Search** D6/333-336, D6/364, 365, 366, 369, 367, 374, 379, 380, D6/500-502; 297/300.2, 411.2, 411.27, 297/411.36, 452.46, 452.56, 452.63, 452.64
See application file for complete search history.

(56) **References Cited**

U.S. PATENT DOCUMENTS

D534,384 S *	1/2007	Su	D6/502
D540,080 S *	4/2007	Su	D6/502
D540,081 S *	4/2007	Su	D6/502
D540,579 S *	4/2007	Su	D6/502

D540,580 S *	4/2007	Su	D6/502
D543,398 S *	5/2007	Su	D6/502
D544,735 S *	6/2007	Su	D6/502

* cited by examiner

Primary Examiner—Mimosa De
(74) *Attorney, Agent, or Firm*—Banger Shia

(57) **CLAIM**

The ornamental design for a chair backrest, as shown.

DESCRIPTION

FIG. 1 is a perspective view of a chair backrest showing my new design;

FIG. 2 is a front elevation view thereof;

FIG. 3 is a rear elevation view thereof;

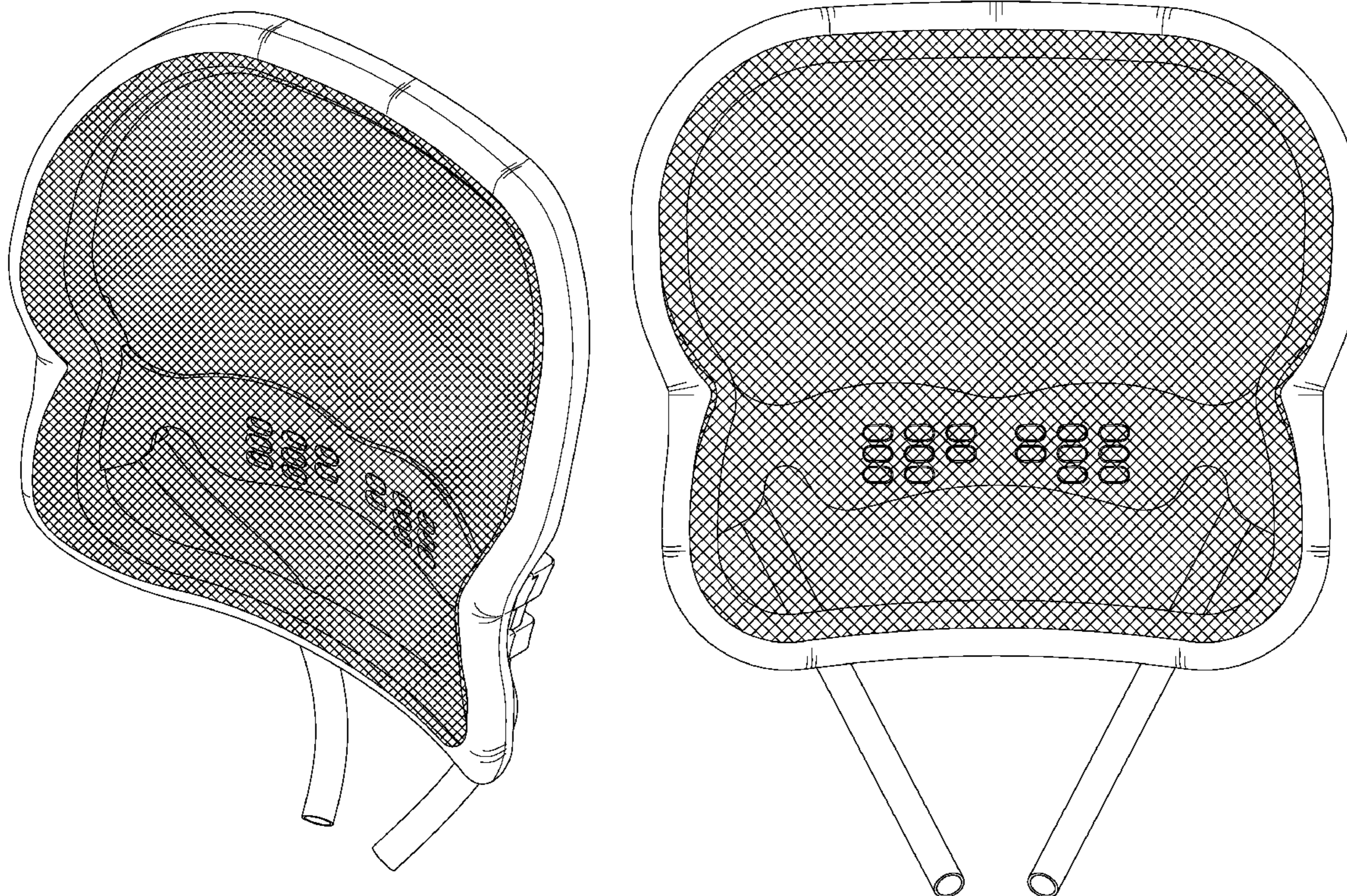
FIG. 4 is a left side elevation view thereof;

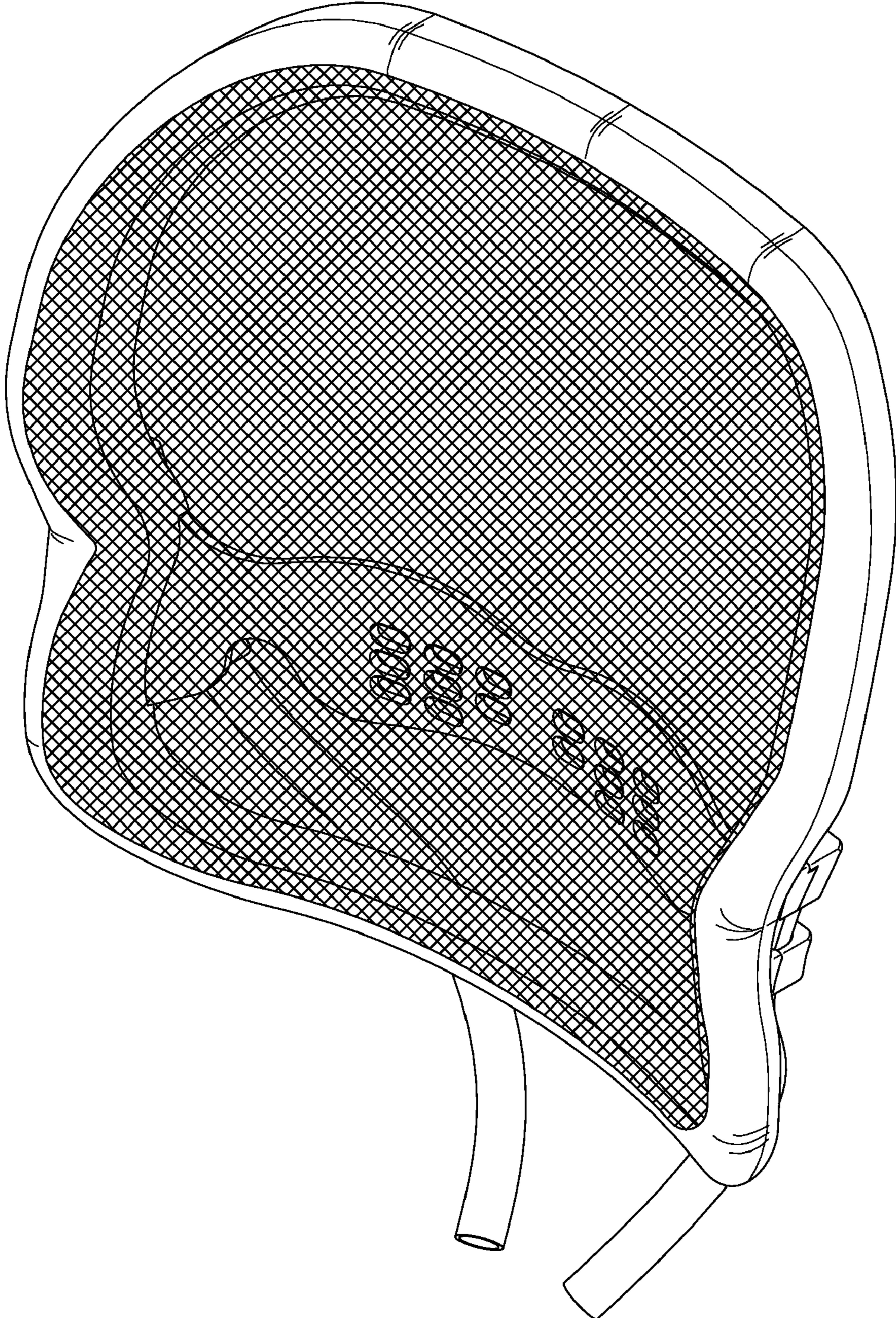
FIG. 5 is a right side elevation view thereof;

FIG. 6 is a top plan view thereof; and,

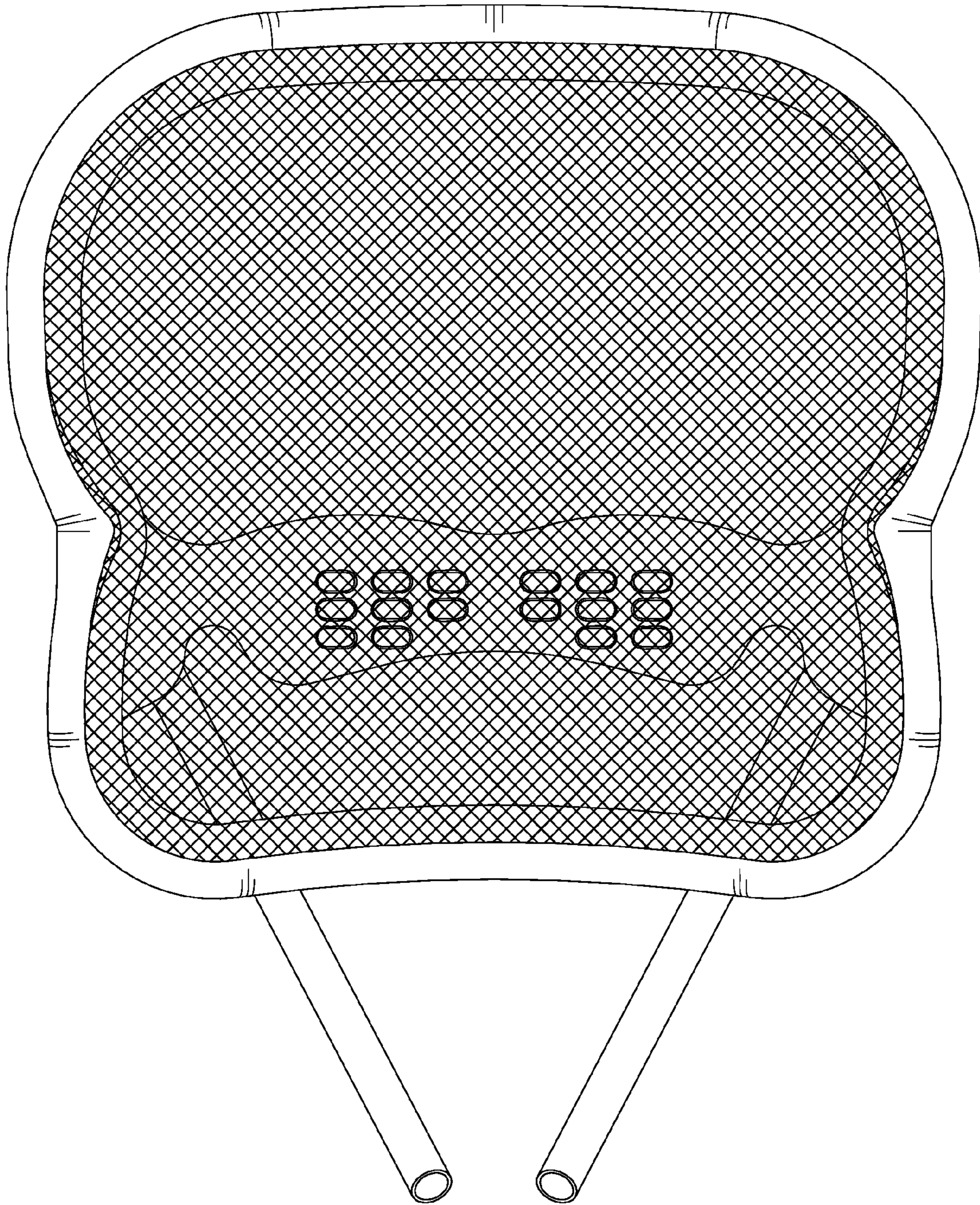
FIG. 7 is a bottom plan view thereof.

1 Claim, 6 Drawing Sheets

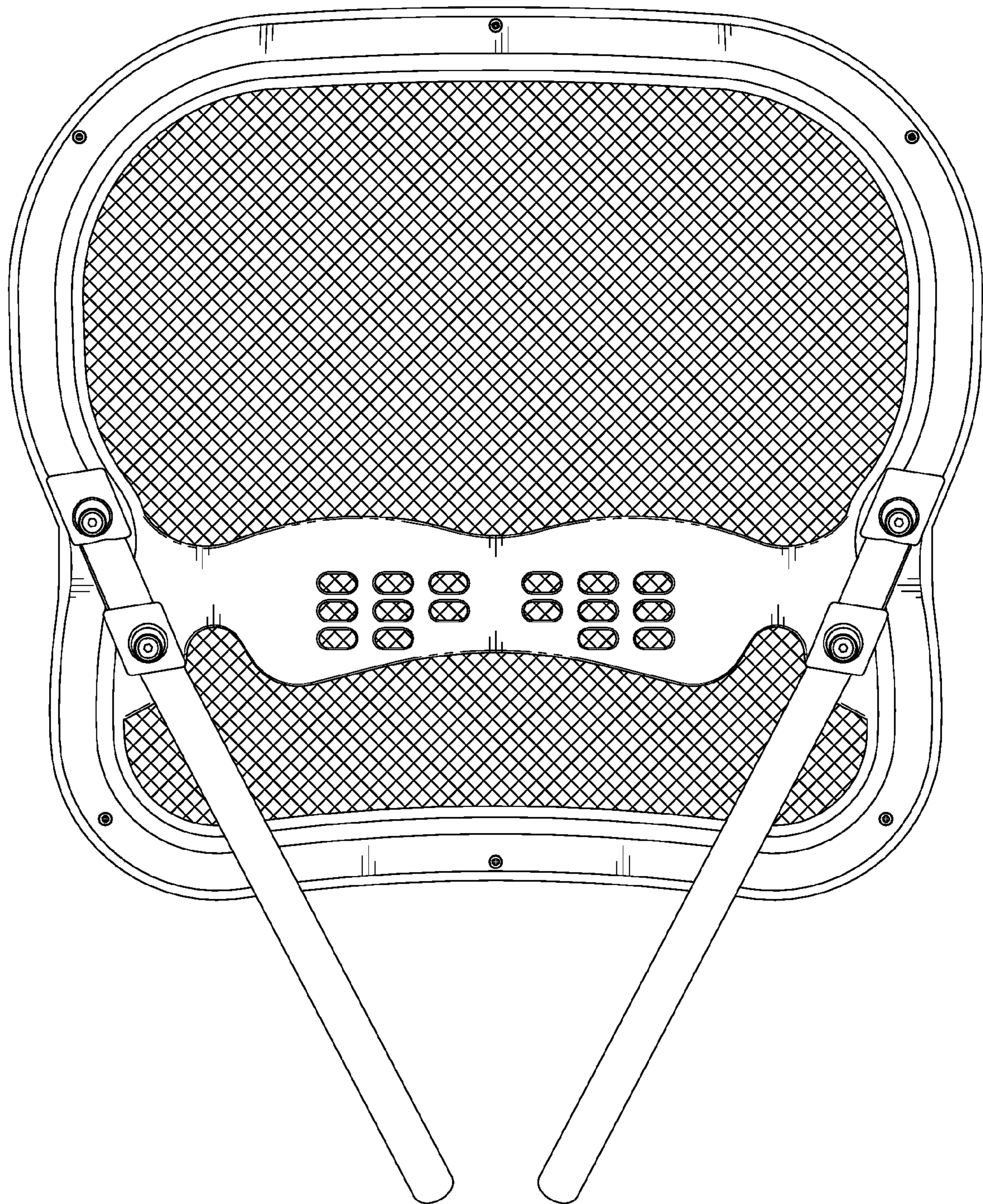




F I G . 1



F I G . 2



F I G . 3

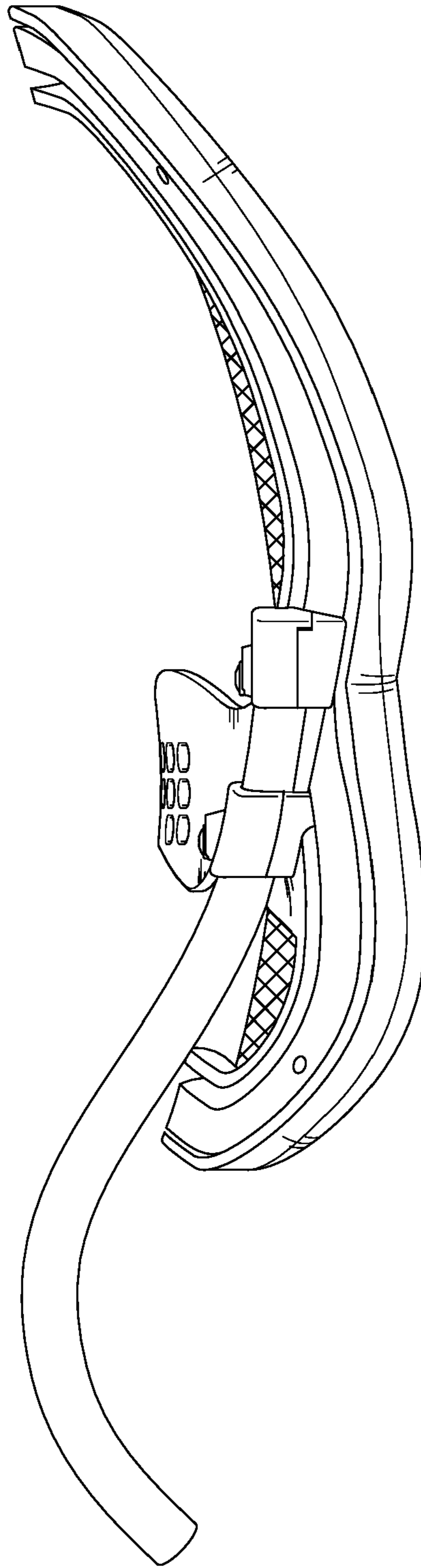
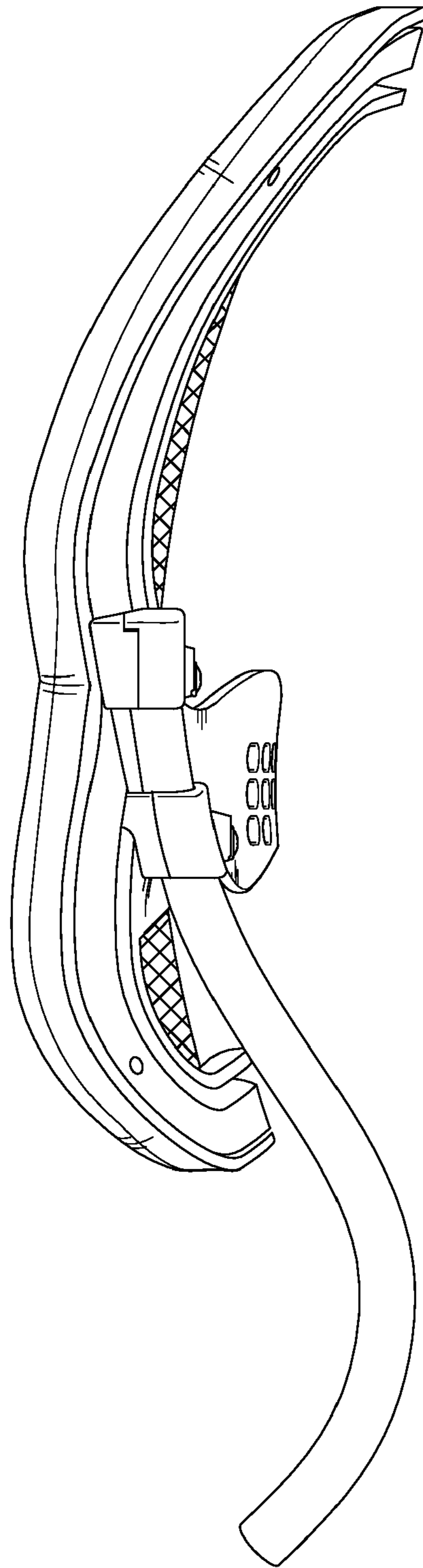
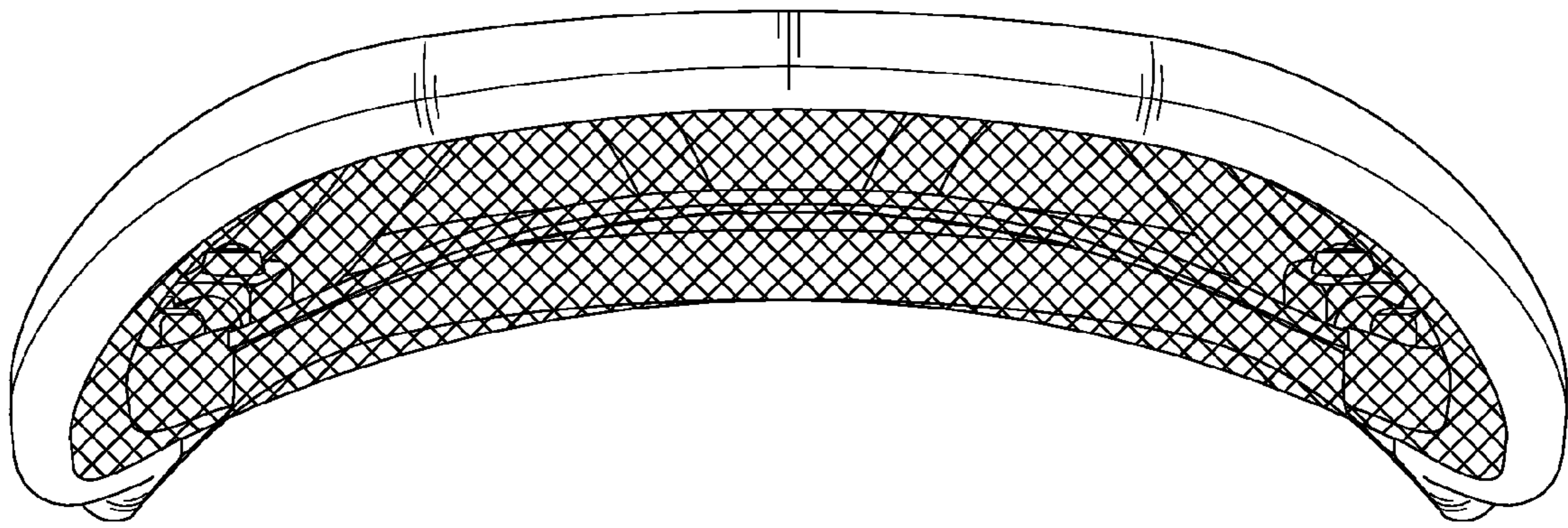


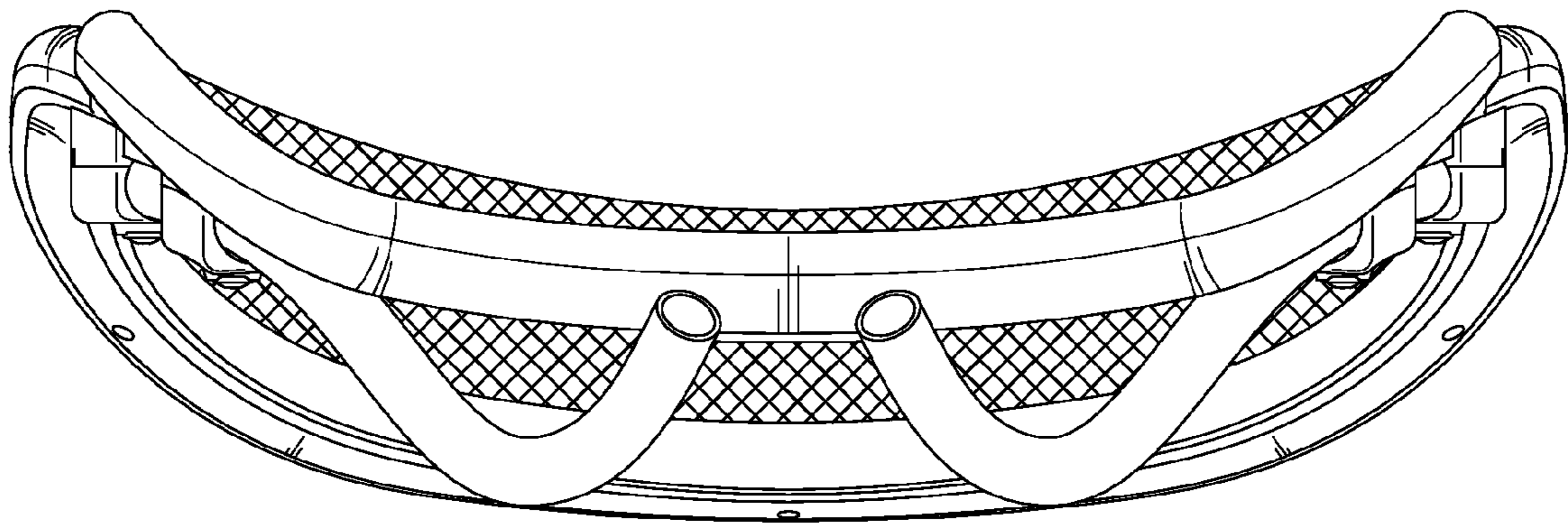
FIG. 4



F I G . 5



F I G . 6



F I G . 7