



US00D553885S

(12) **United States Design Patent**  
**Matern**

(10) **Patent No.:** **US D553,885 S**

(45) **Date of Patent:** **\*\* Oct. 30, 2007**

(54) **CHAIR CONTROL**

(75) Inventor: **Gerard J. Matern**, Waterloo (CA)

(73) Assignee: **Leggett & Platt Canada Co.**,  
Waterloo, Ontario (CA)

(\*\*) Term: **14 Years**

(21) Appl. No.: **29/275,250**

(22) Filed: **Dec. 19, 2006**

(51) **LOC (8) Cl.** ..... **06-06**

(52) **U.S. Cl.** ..... **D6/500**

(58) **Field of Classification Search** ..... D6/334-336,  
D6/364, 365, 366, 367, 491, 495, 500-502;  
248/161, 578; 297/344.18, 344.21, 344.22,  
297/463.1, 300.1, 300.2, 300.5, 300.8, 301.1,  
297/301.2, 301.3, 301.4, 301.7, 303.3, 303.4,  
297/303.5

See application file for complete search history.

(56) **References Cited**

**U.S. PATENT DOCUMENTS**

D247,943 S *	5/1978	Doerner	.....	D6/500
D285,633 S *	9/1986	Doerner	.....	D6/500
D432,338 S *	10/2000	Matern	.....	D6/500
D461,074 S *	8/2002	Matern	.....	D6/500
D464,831 S *	10/2002	Patton	.....	D6/500

D468,940 S *	1/2003	Chen	.....	D6/500
D472,081 S *	3/2003	Chen	.....	D6/500
6,619,740 B2 *	9/2003	Beggs	.....	297/300.1
6,692,077 B1	2/2004	Beggs et al.		
2002/0163242 A1 *	11/2002	Beggs	.....	297/463.1
2003/0178876 A1 *	9/2003	Klein	.....	297/301.2
2003/0184144 A1 *	10/2003	Matern et al.	.....	297/463.1

\* cited by examiner

*Primary Examiner*—Mimosa De

(74) *Attorney, Agent, or Firm*—Shook, Hardy & Bacon,  
L.L.P.

(57) **CLAIM**

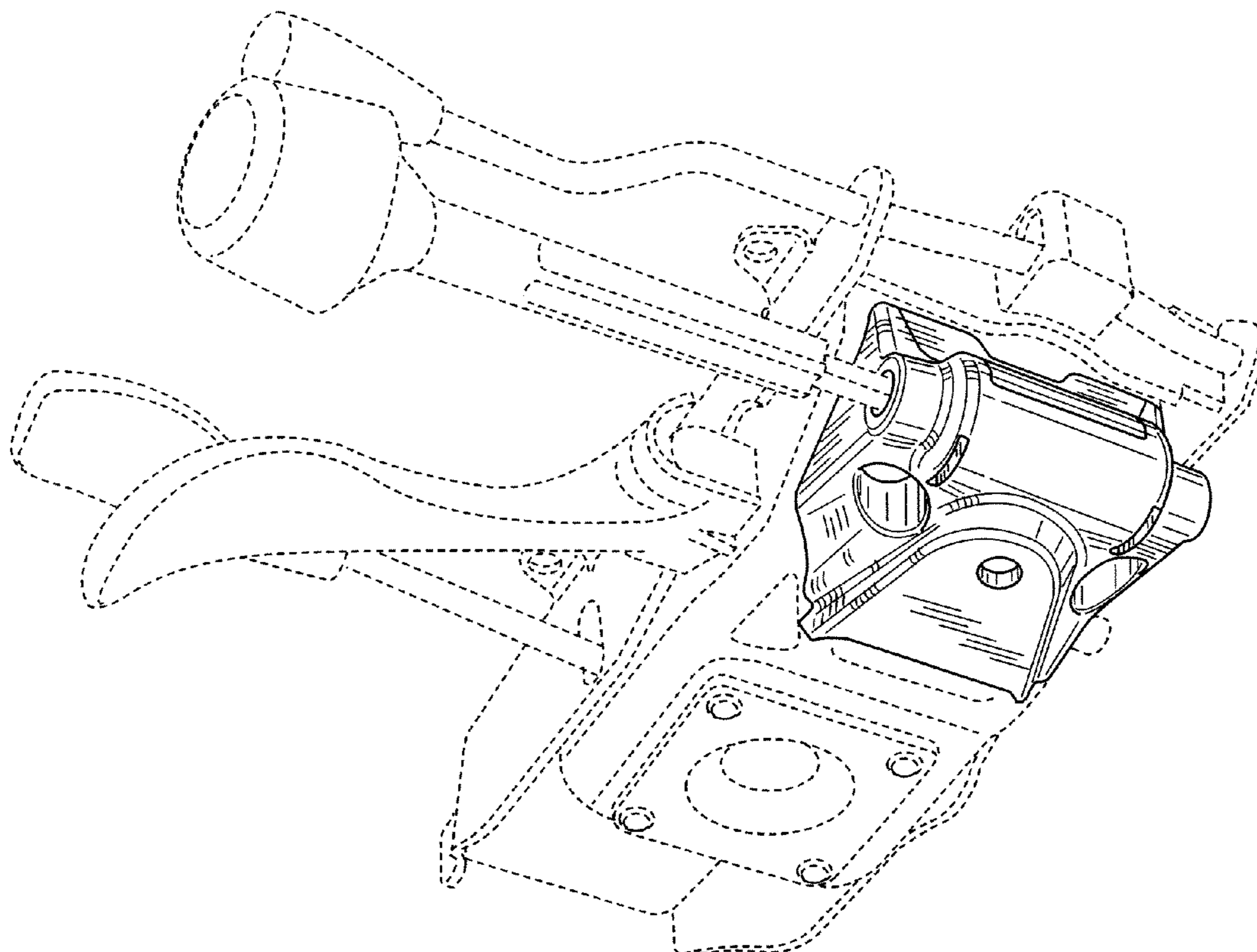
The ornamental design for a chair control, as shown and described.

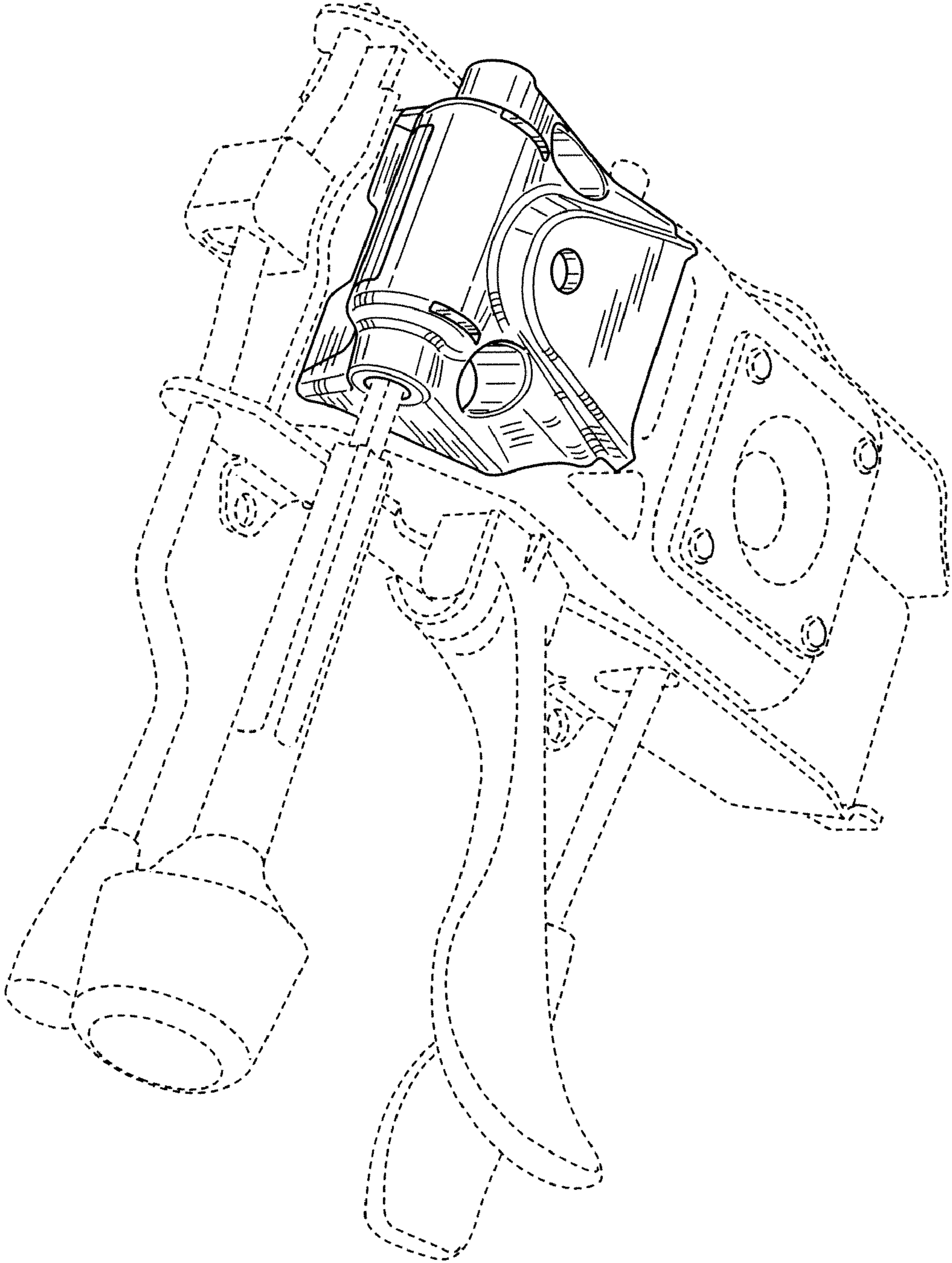
**DESCRIPTION**

FIG. 1 is a bottom perspective view of the chair control;  
FIG. 2 is a right hand side view of the chair control;  
FIG. 3 is a front view of the chair control;  
FIG. 4 is a left hand side view of the chair control; and,  
FIG. 5 is a bottom view of the chair control.

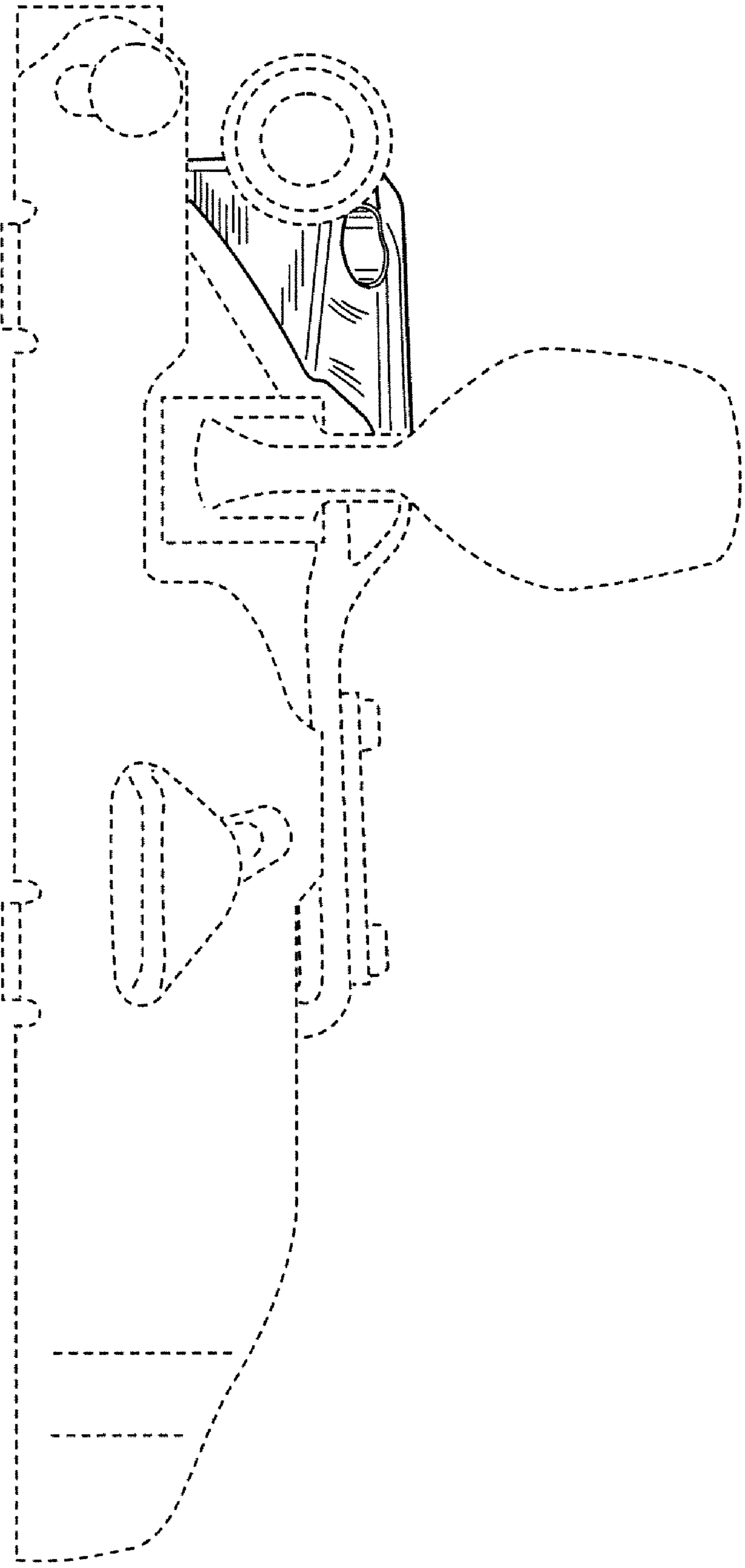
The portions of the chair control shown in dashed lines do not form part of the design.

**1 Claim, 5 Drawing Sheets**

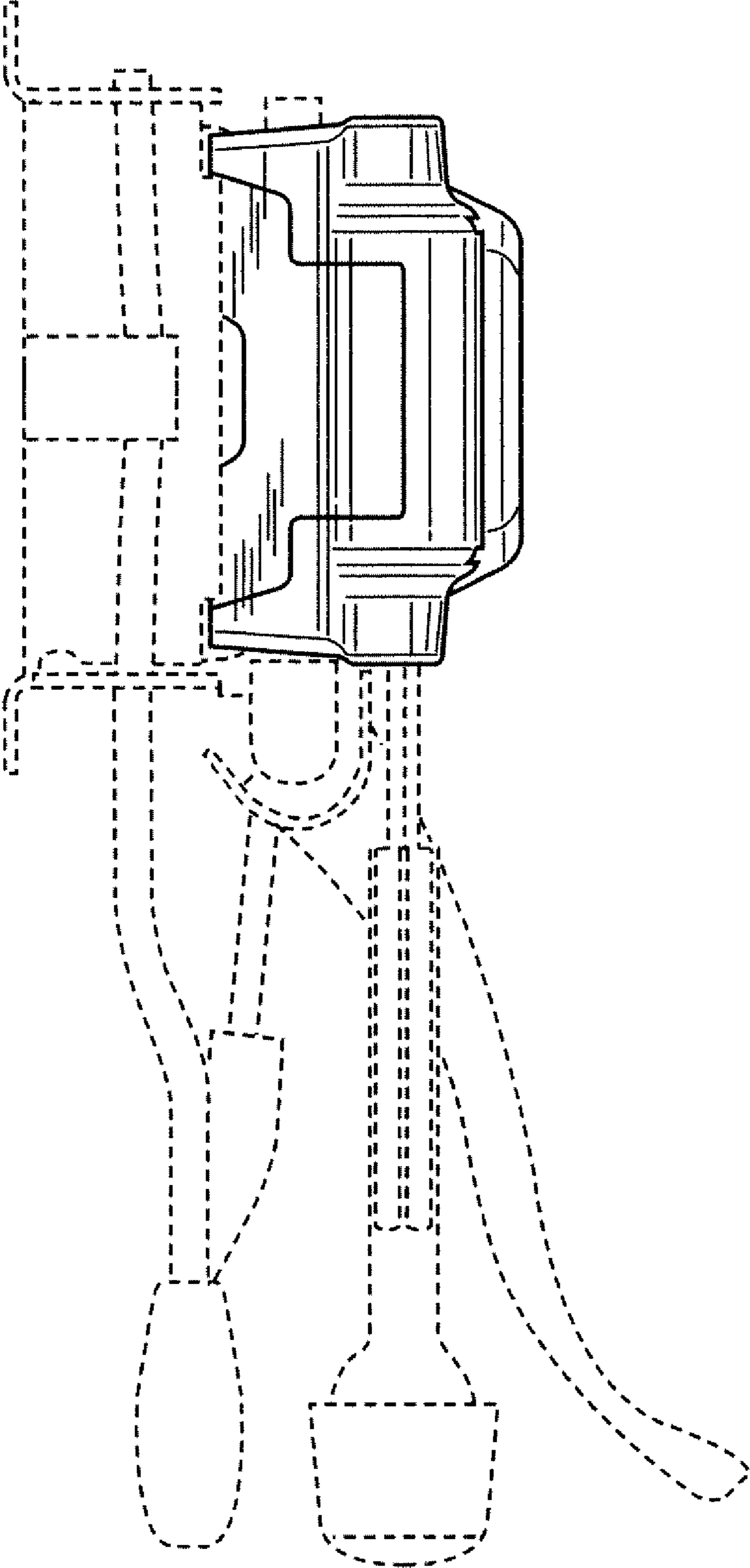




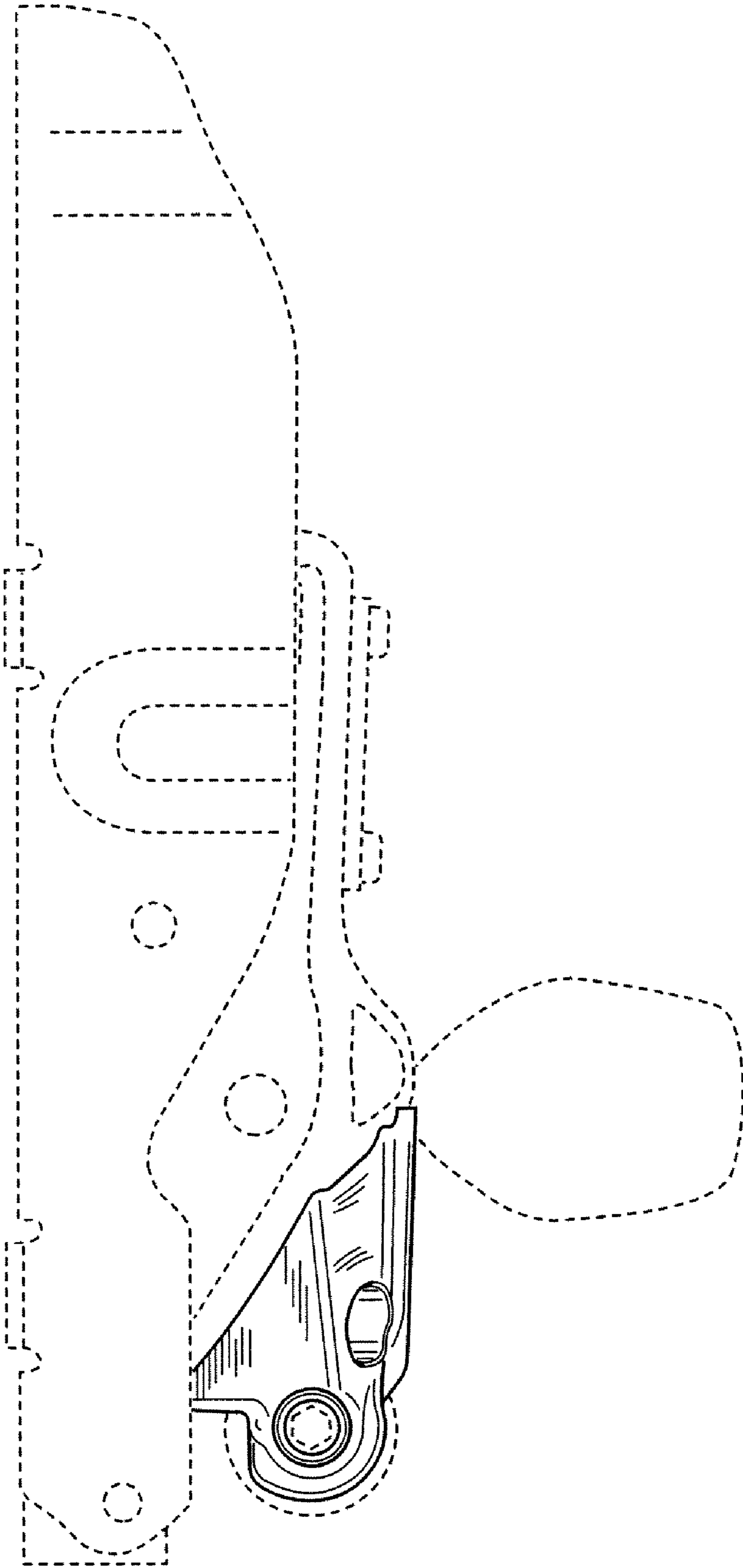
**FIG. 1**



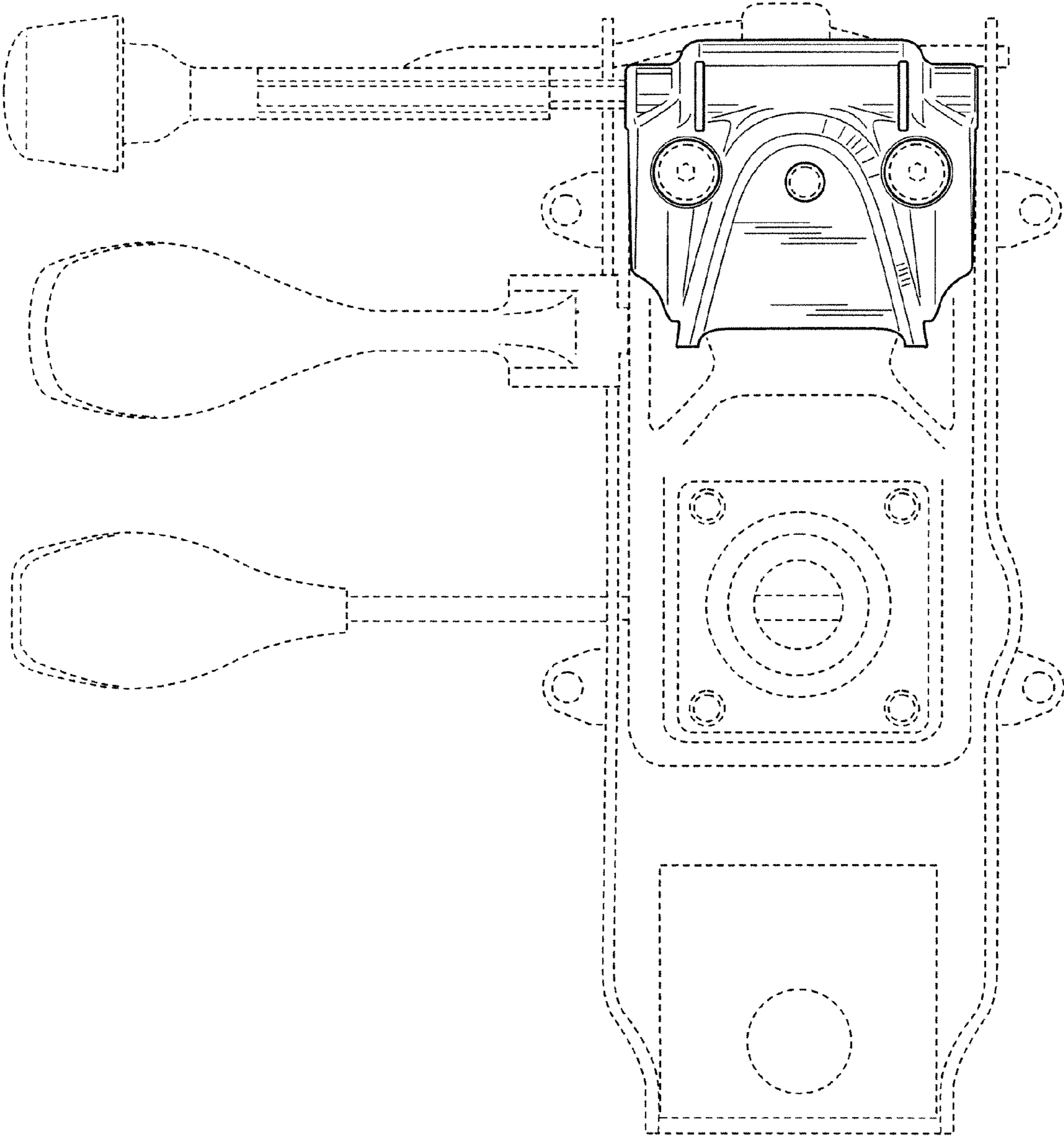
**FIG. 2**



**FIG. 3**



**FIG. 4**



**FIG. 5**