



US00D553884S

(12) **United States Design Patent**
Faber et al.

(10) **Patent No.:** **US D553,884 S**
(45) **Date of Patent:** **** Oct. 30, 2007**

(54) **COMBINATION CARGO RESTRAINING ENCLOSURE AND ORTHOPEDIC SEAT CUSHION**

(76) Inventors: **Michael William Faber**, 833 Abbie St., Pleasanton, CA (US) 94566; **Kenneth Allan Tarlow**, 21 Golden Hind Passage, Corte Madera, CA (US) 94925; **Christopher David Faber**, 833 Abbie St., Pleasanton, CA (US) 94566

(**) Term: **14 Years**

(21) Appl. No.: **29/272,510**

(22) Filed: **Feb. 12, 2007**

(51) **LOC (8) Cl.** **06-01**

(52) **U.S. Cl.** **D6/500**

(58) **Field of Classification Search** D6/334-338, D6/349, 355, 363, 364, 369-370, 381, 491, D6/500-502, 509, 511, 601; 297/16.1-16.2, 297/116, 135, 154, 187, 158.3, 158.4, 158.5, 297/184.1, 232, 244, 411.37, 440.1, 445.1; 5/12.1, 655.3; D12/425, 426.1
See application file for complete search history.

(56) **References Cited**

U.S. PATENT DOCUMENTS

1,740,090	A *	12/1929	Harris	297/461
1,871,003	A *	8/1932	Longletz et al.	5/490
2,360,715	A *	10/1944	Perry	5/654
2,493,806	A *	1/1950	Dumas	297/250.1
3,017,642	A *	1/1962	Rosenberg et al.	5/709
3,428,974	A *	2/1969	Stuart	5/710
D259,597	S *	6/1981	Marks	D6/349
D262,242	S *	12/1981	Molnar	D6/333
4,463,984	A *	8/1984	Molnar	297/250.1
D278,482	S *	4/1985	Takada	D6/333
D291,032	S *	7/1987	Sauter et al.	D6/333

(Continued)

Primary Examiner—Sandra Snapp

(57) **CLAIM**

The ornamental design for a combination cargo restraining enclosure and orthopedic seat cushion, as shown and described.

DESCRIPTION

A combined cargo restraining enclosure and orthopedic seat cushion where the orthopedic cushion serves for comfortable seating and support and the container functions for stowing and securing movable cargo.

FIG. 1 is a perspective view where orthopedic cushion is facing up.

FIG. 2 is a perspective view where cargo restraining enclosure is facing up.

FIG. 3 is a plan view where orthopedic cushion is facing up.

FIG. 4 is a plan view where cargo restraining enclosure is facing up.

FIG. 5 is a front view where orthopedic cushion is facing up.

FIG. 6 is a back view where orthopedic cushion is facing up.

FIG. 7 is a right side view with orthopedic cushion is facing up.

FIG. 8 is a left side view with orthopedic cushion is facing up.

FIG. 9 is a perspective view with cargo restraining enclosure partially opened where orthopedic cushion is facing down.

FIG. 10 is a perspective view with cargo restraining enclosure fully opened where orthopedic cushion is facing down.

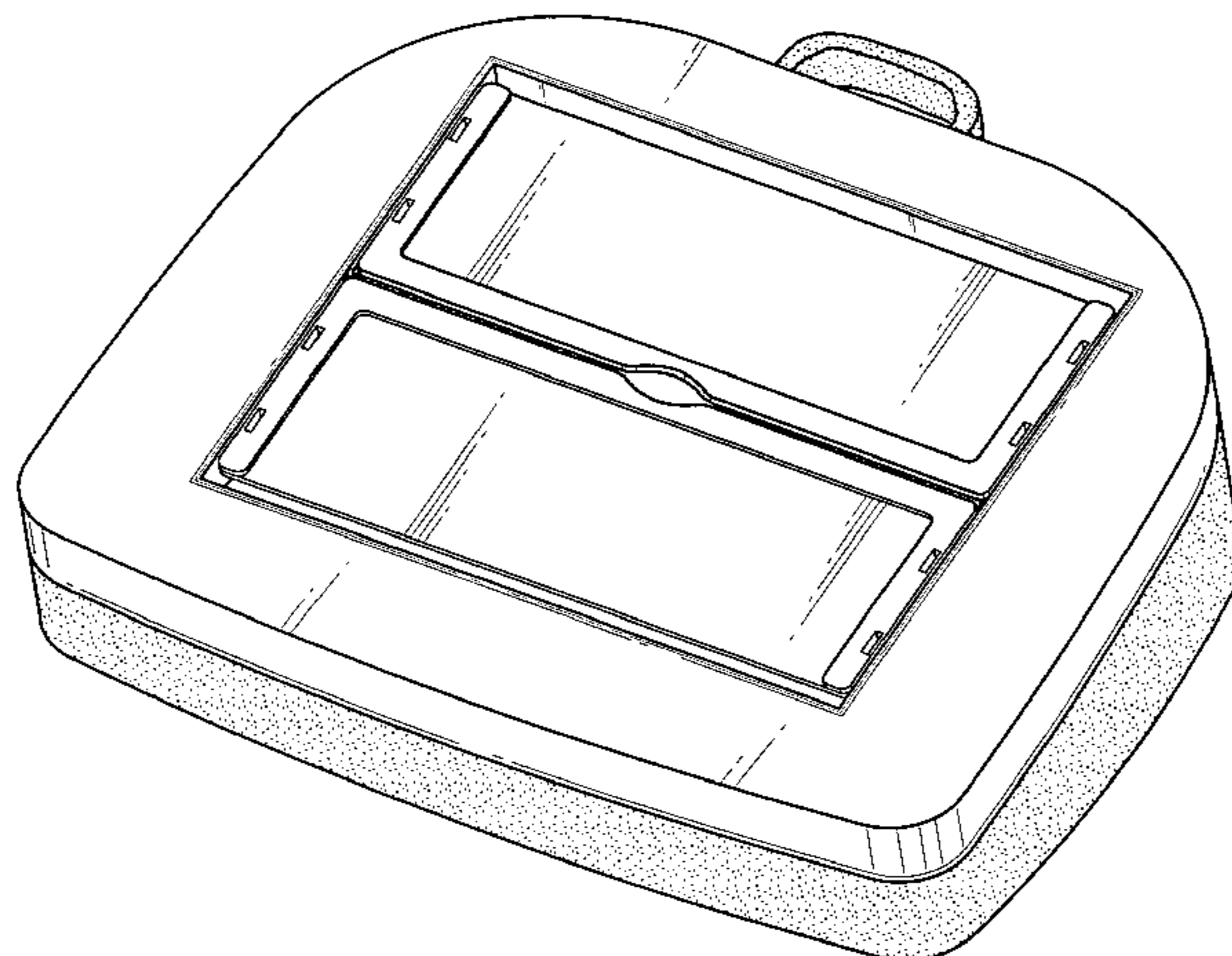
FIG. 11 is a front view with cargo restraining enclosure fully opened where orthopedic cushion is facing down.

FIG. 12 is a rear view with cargo restraining enclosure fully opened where orthopedic cushion is on the bottom.

FIG. 13 is a right side view with cargo restraining enclosure fully opened where orthopedic cushion is facing down; and,

FIG. 14 is a left side view with cargo restraining enclosure fully opened where orthopedic cushion is facing down.

1 Claim, 10 Drawing Sheets



US D553,884 S

Page 2

U.S. PATENT DOCUMENTS

D305,845 S *	2/1990	Foster	D6/601	5,729,852 A *	3/1998	Rabideau et al.	5/710
D330,978 S *	11/1992	Vasquez	D6/349	D405,636 S *	2/1999	Stewart	D6/604
D360,307 S *	7/1995	Kain	D6/333	5,881,407 A *	3/1999	Chu Pt	5/654
D360,991 S *	8/1995	Kain	D6/333	D453,631 S *	2/2002	Kassai et al.	D6/333
D365,691 S *	1/1996	Sedlack	D6/333	D461,646 S *	8/2002	Kain	D6/333
D376,917 S *	12/1996	Kain	D6/333	6,997,509 B2 *	2/2006	Kain	297/250.1
5,599,060 A *	2/1997	Stephens et al.	297/256.15	D523,646 S *	6/2006	Fretschner et al.	D6/333
5,615,925 A *	4/1997	Kain	297/188.01	D529,319 S *	10/2006	Shibata et al.	D6/502
D383,316 S *	9/1997	Kain	D6/333	2001/0000638 A1 *	5/2001	Kassai et al.	297/250.1
5,685,604 A *	11/1997	Kain	297/256.15	2007/0013216 A1 *	1/2007	Yeh	297/250.1

* cited by examiner

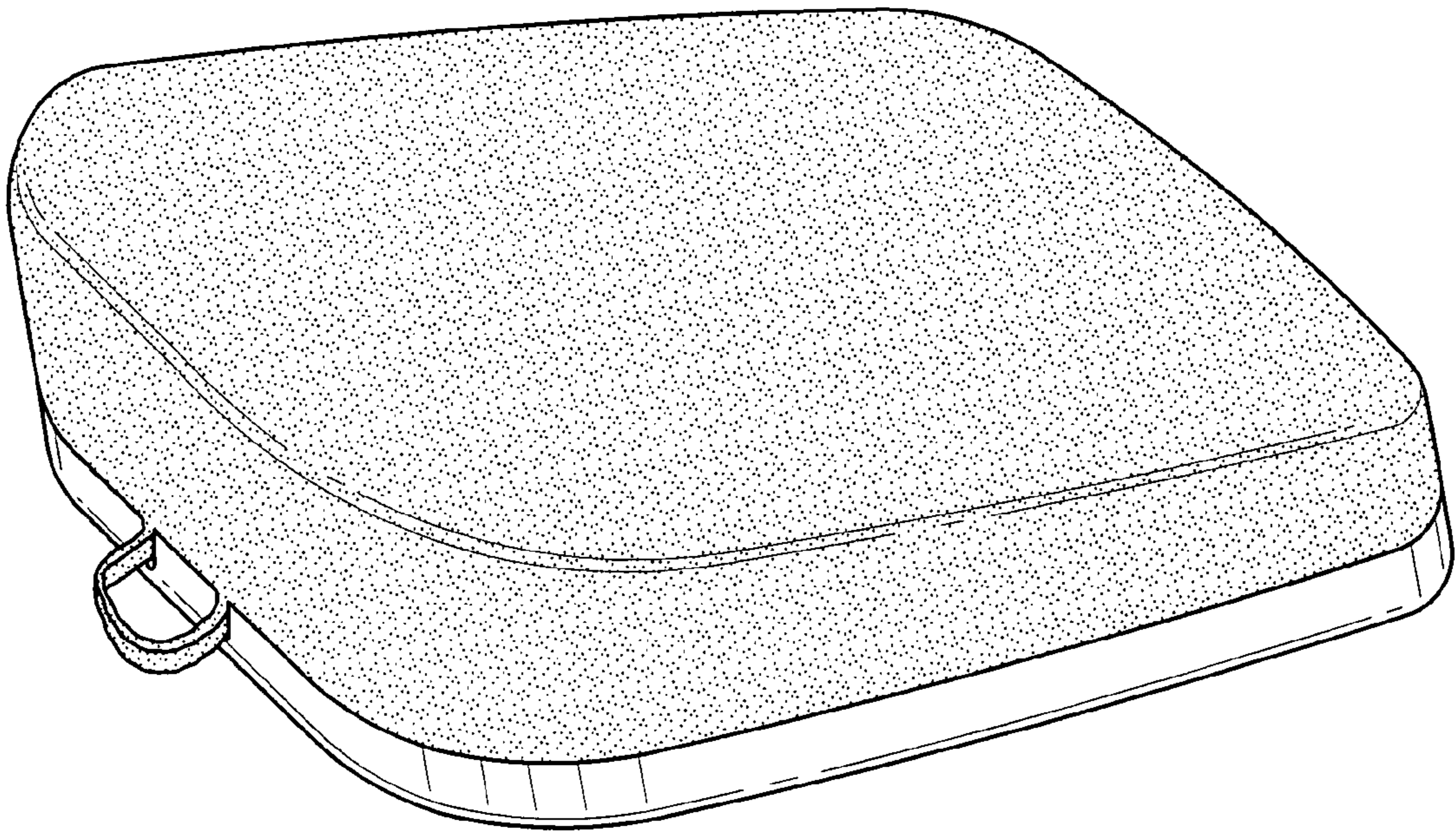


FIG.1

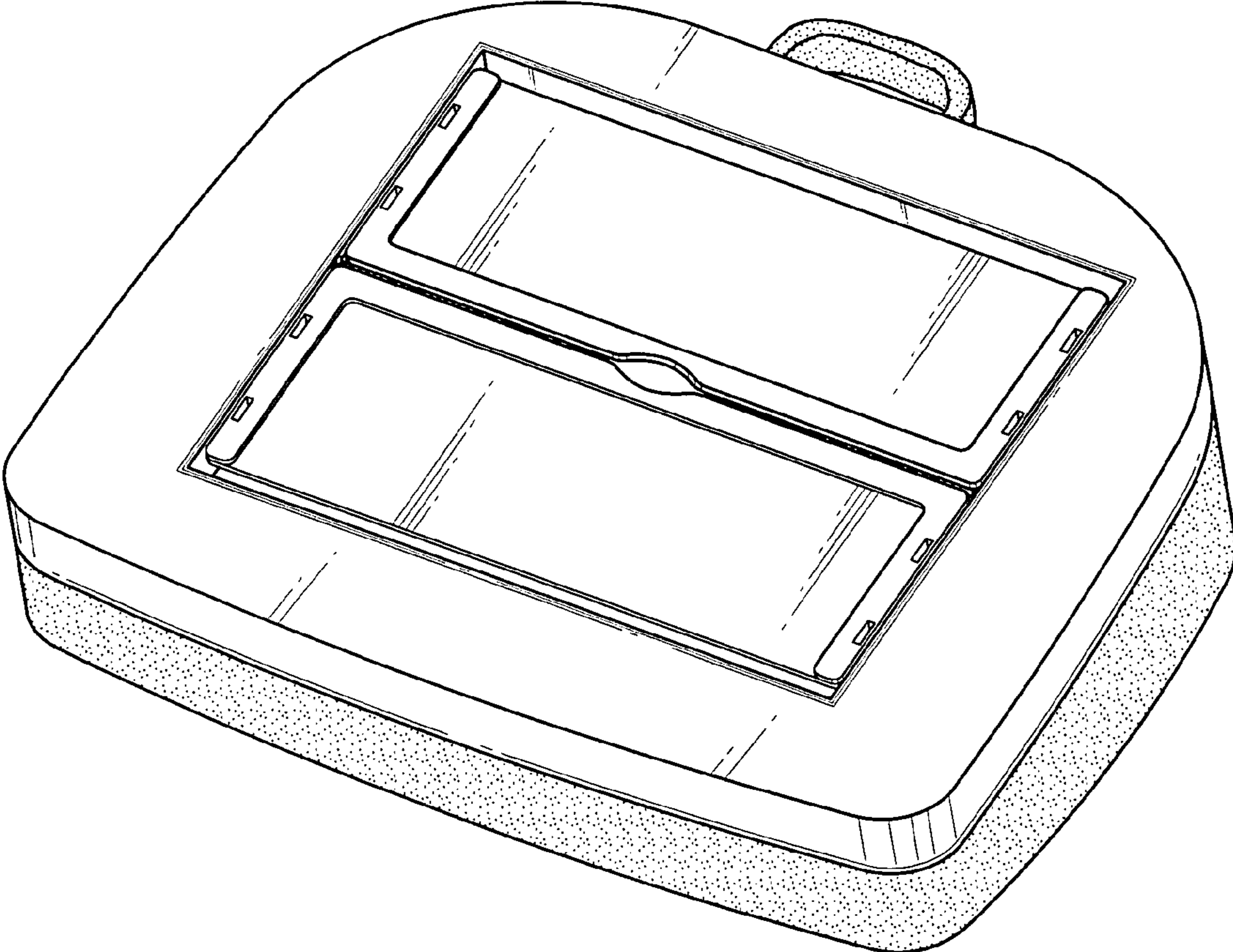


FIG.2

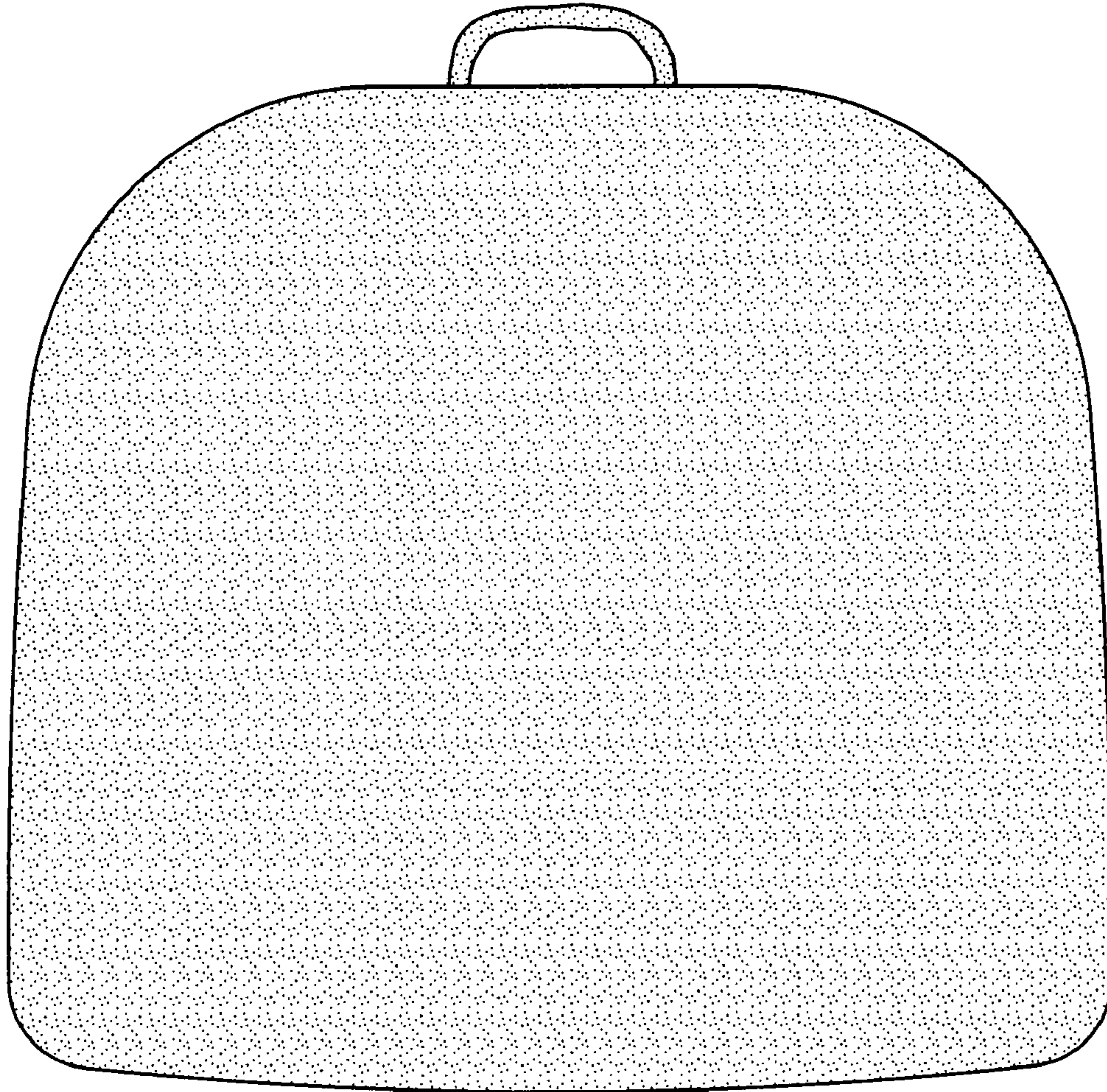


FIG.3

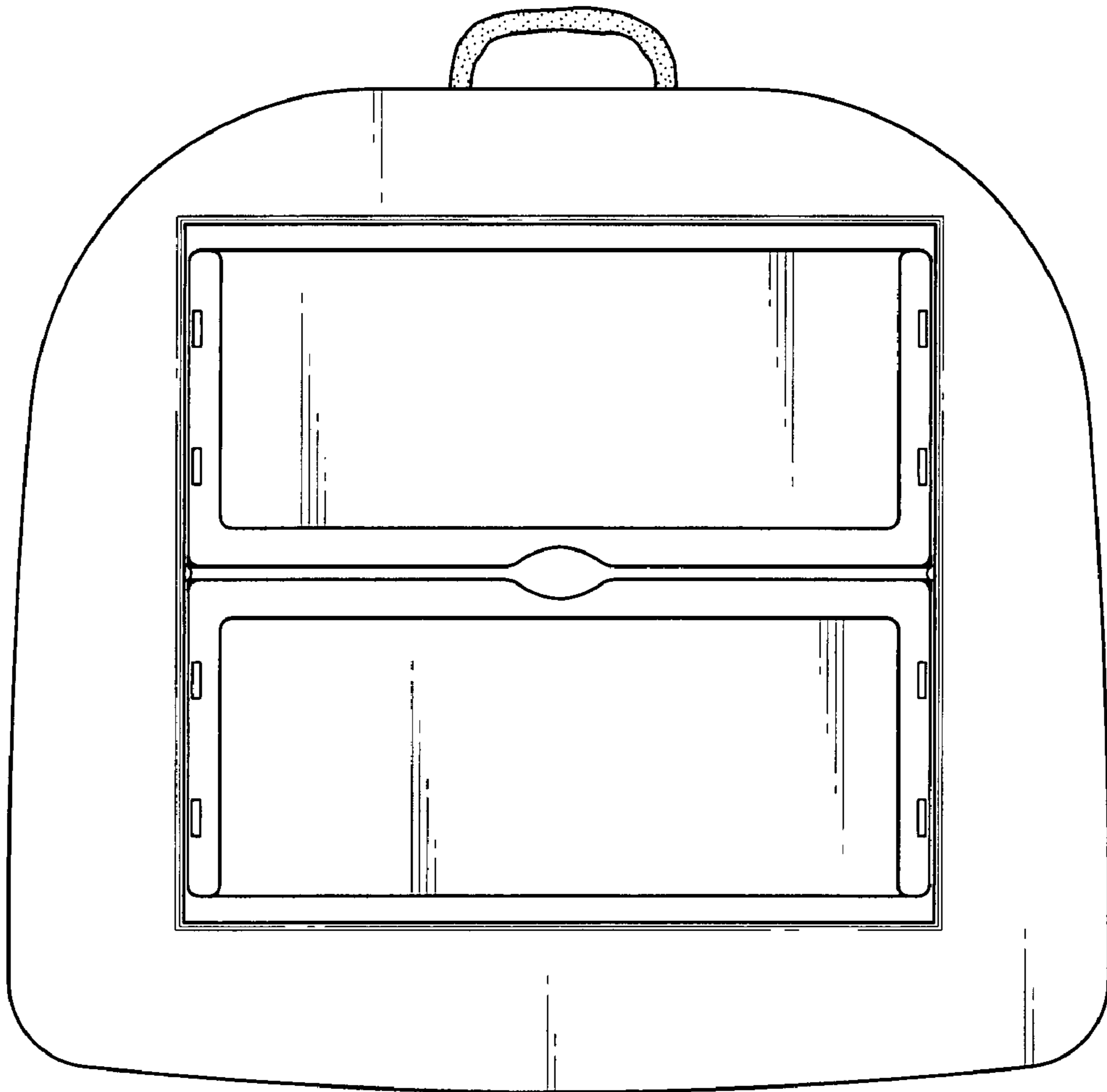


FIG.4

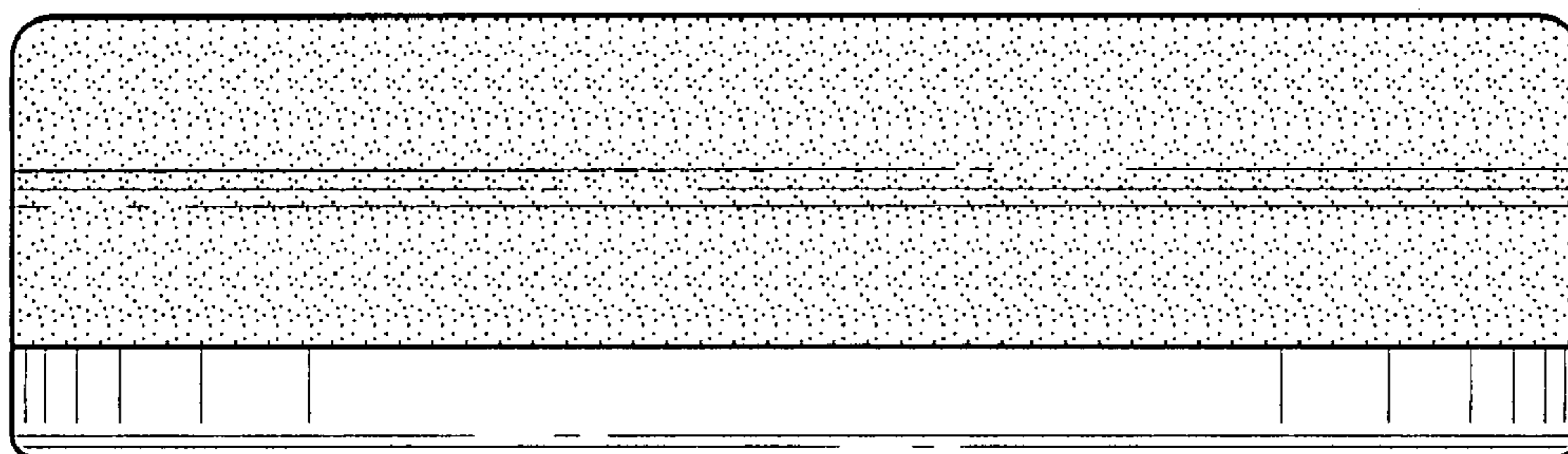


FIG. 5

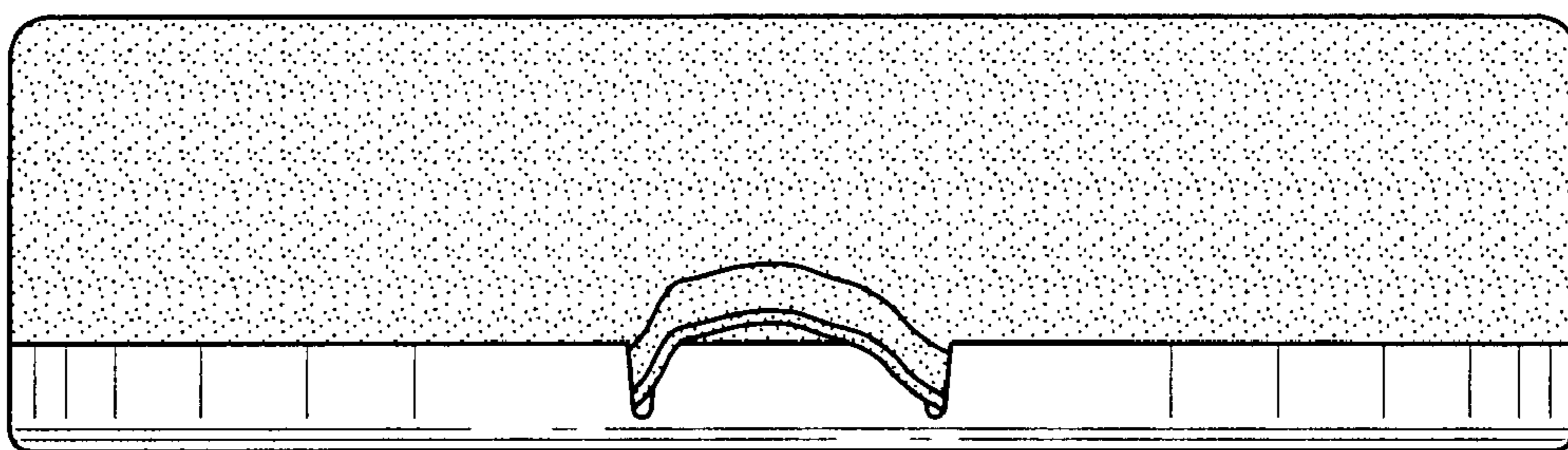


FIG. 6

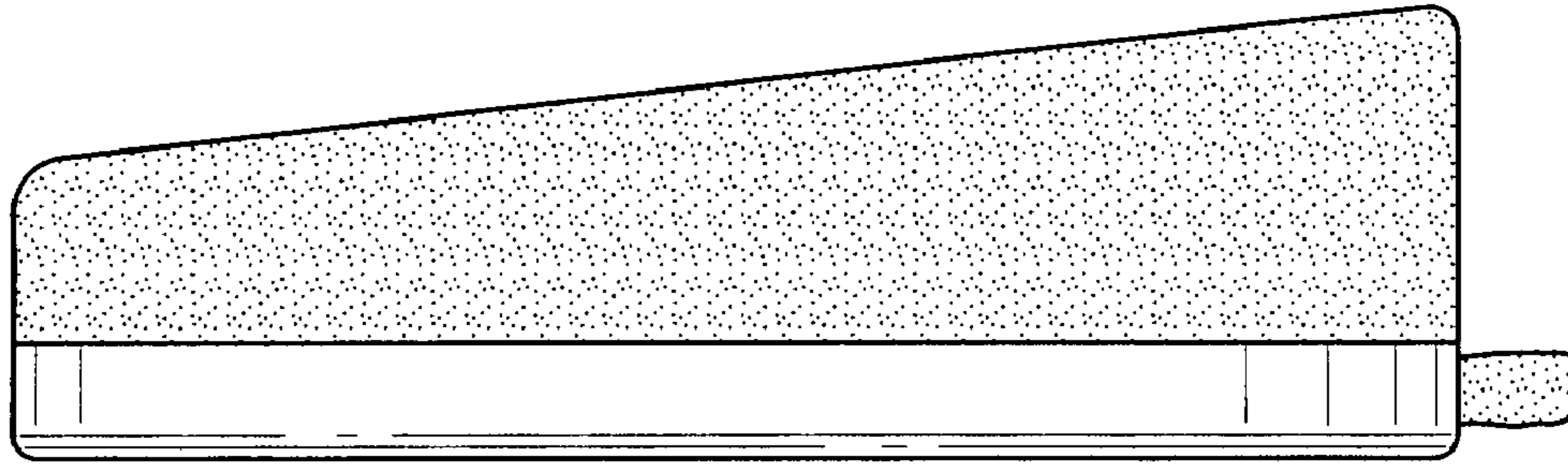


FIG. 7

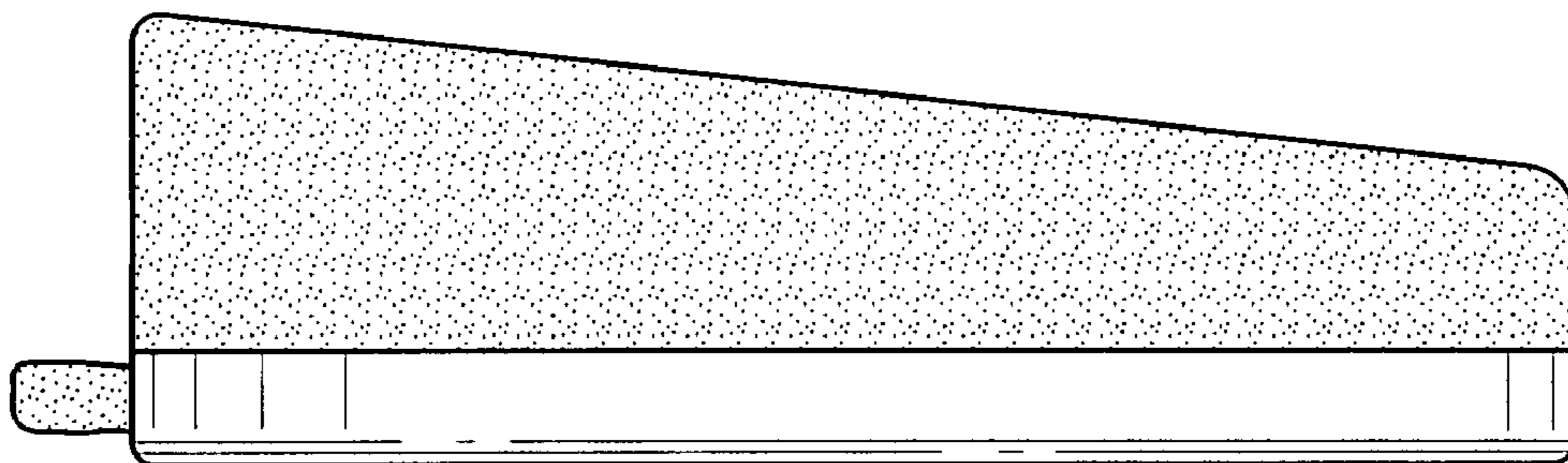


FIG. 8

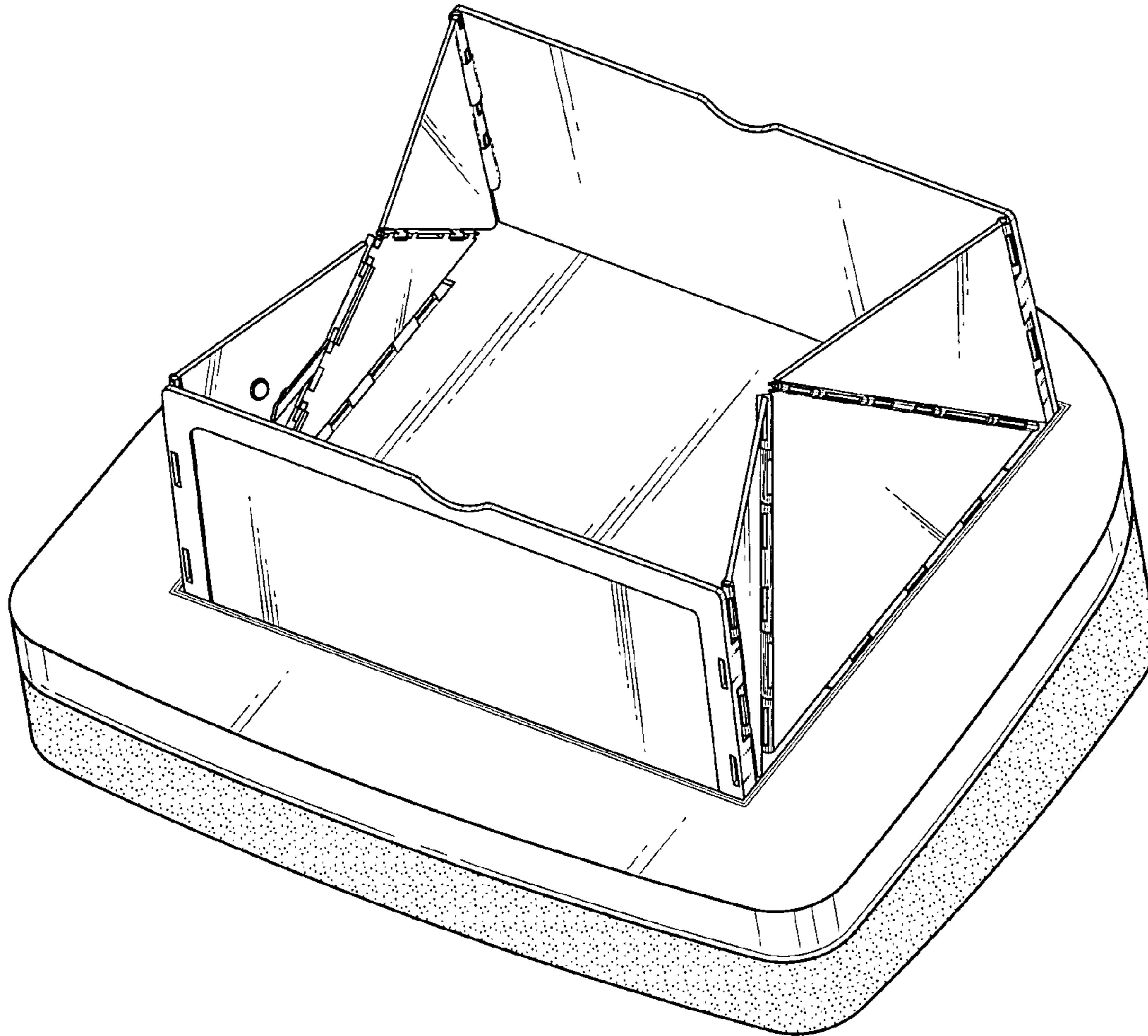


FIG.9

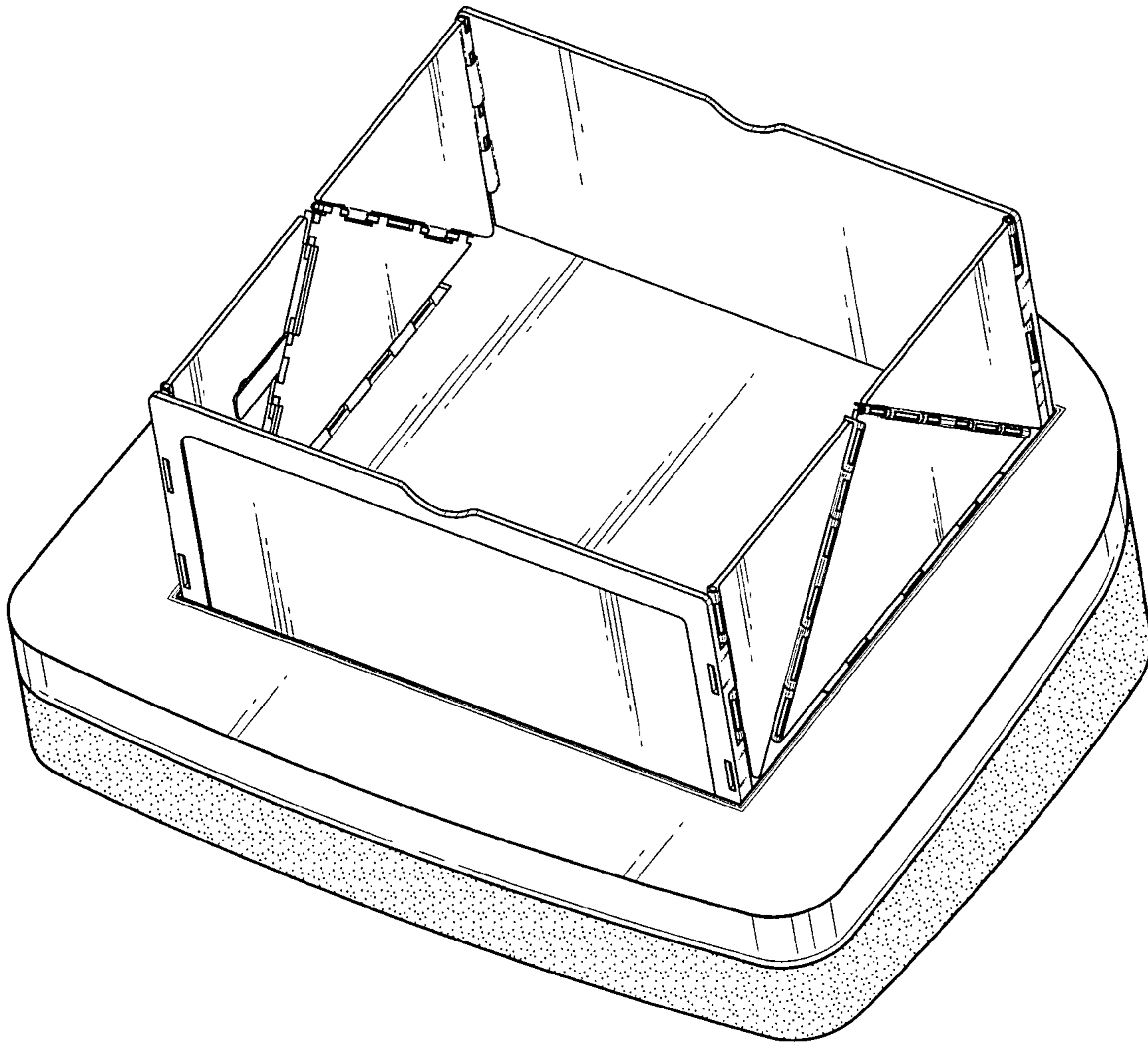


FIG.10

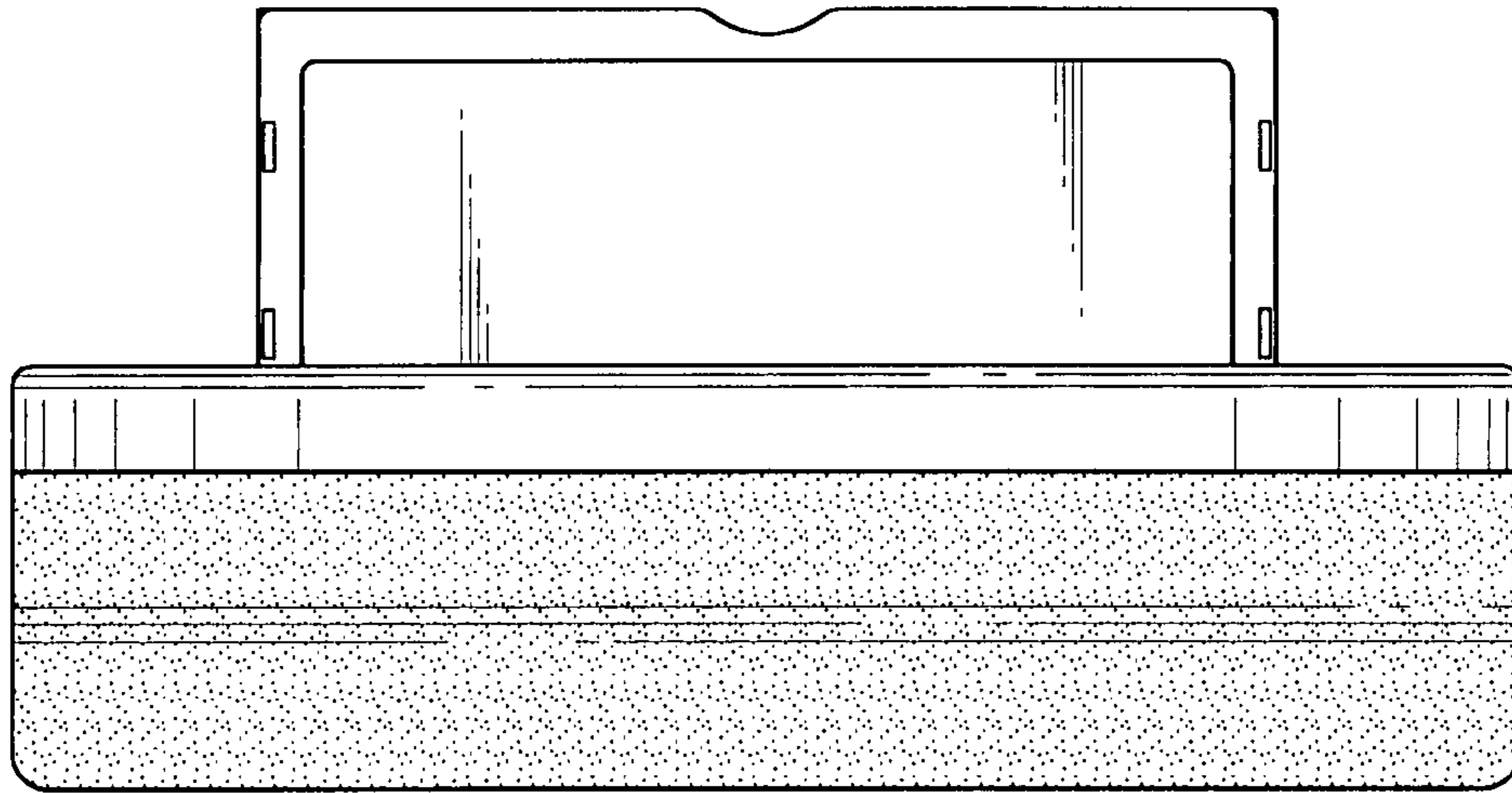


FIG.11

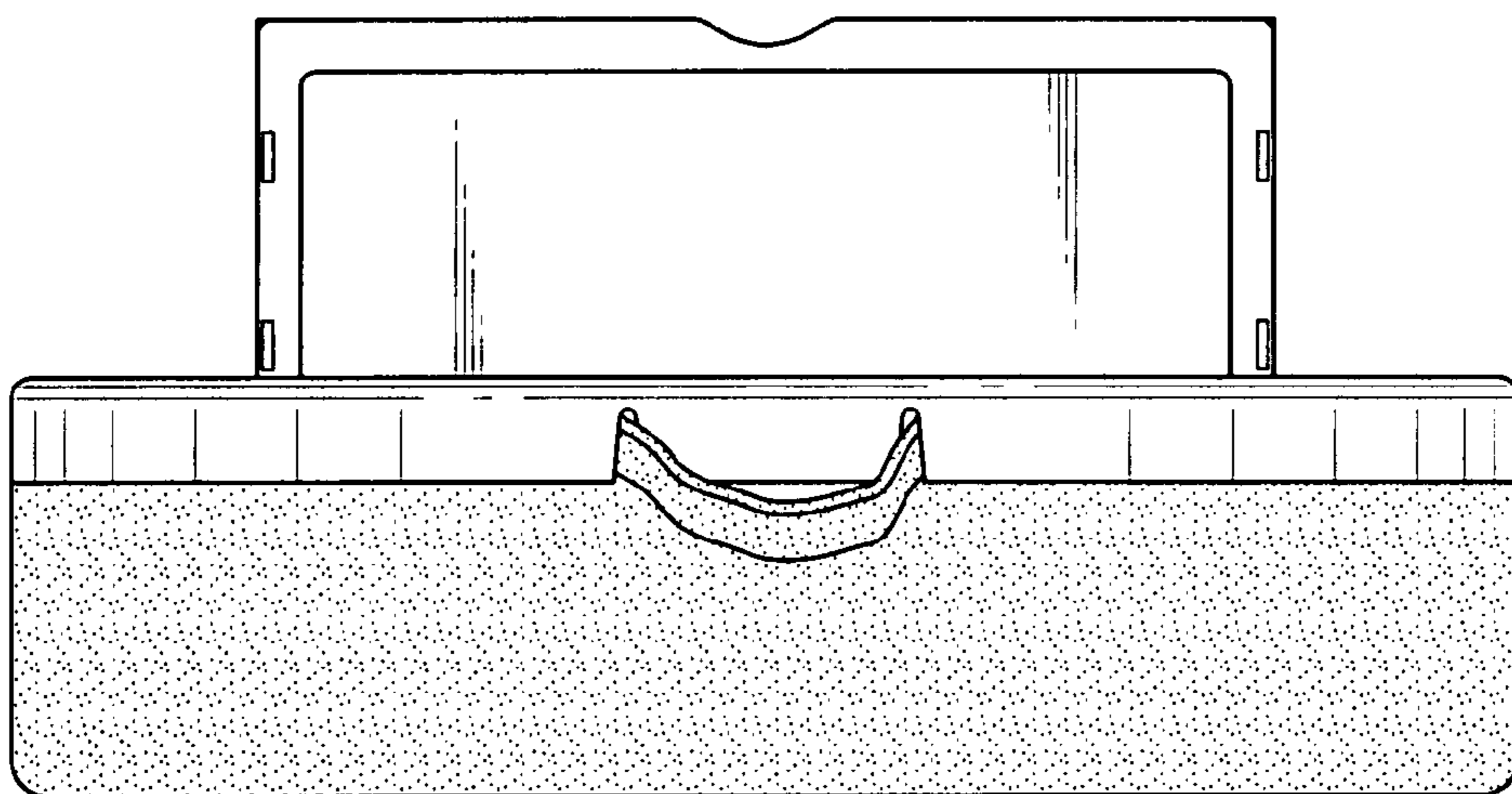


FIG.12

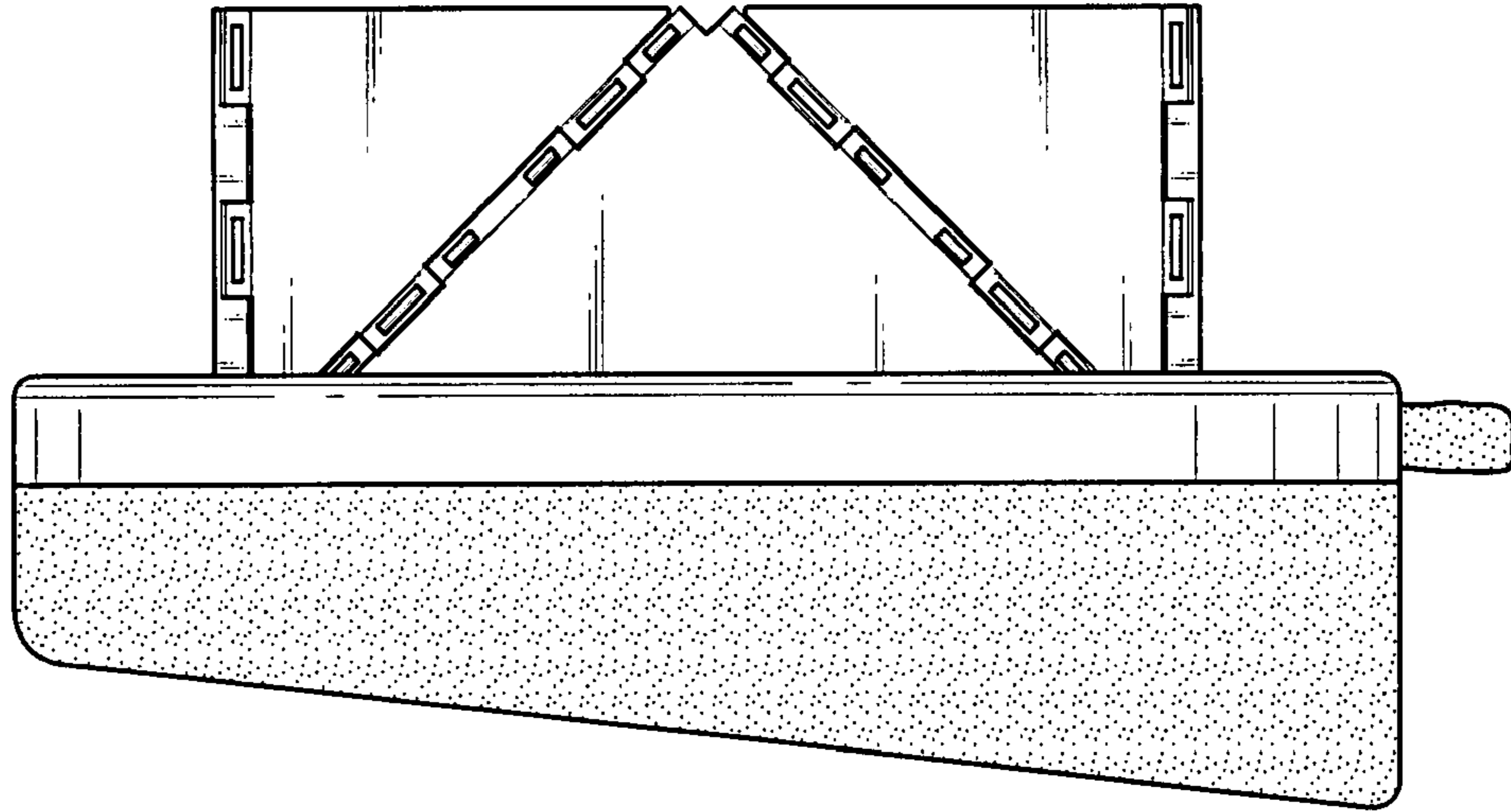


FIG.13

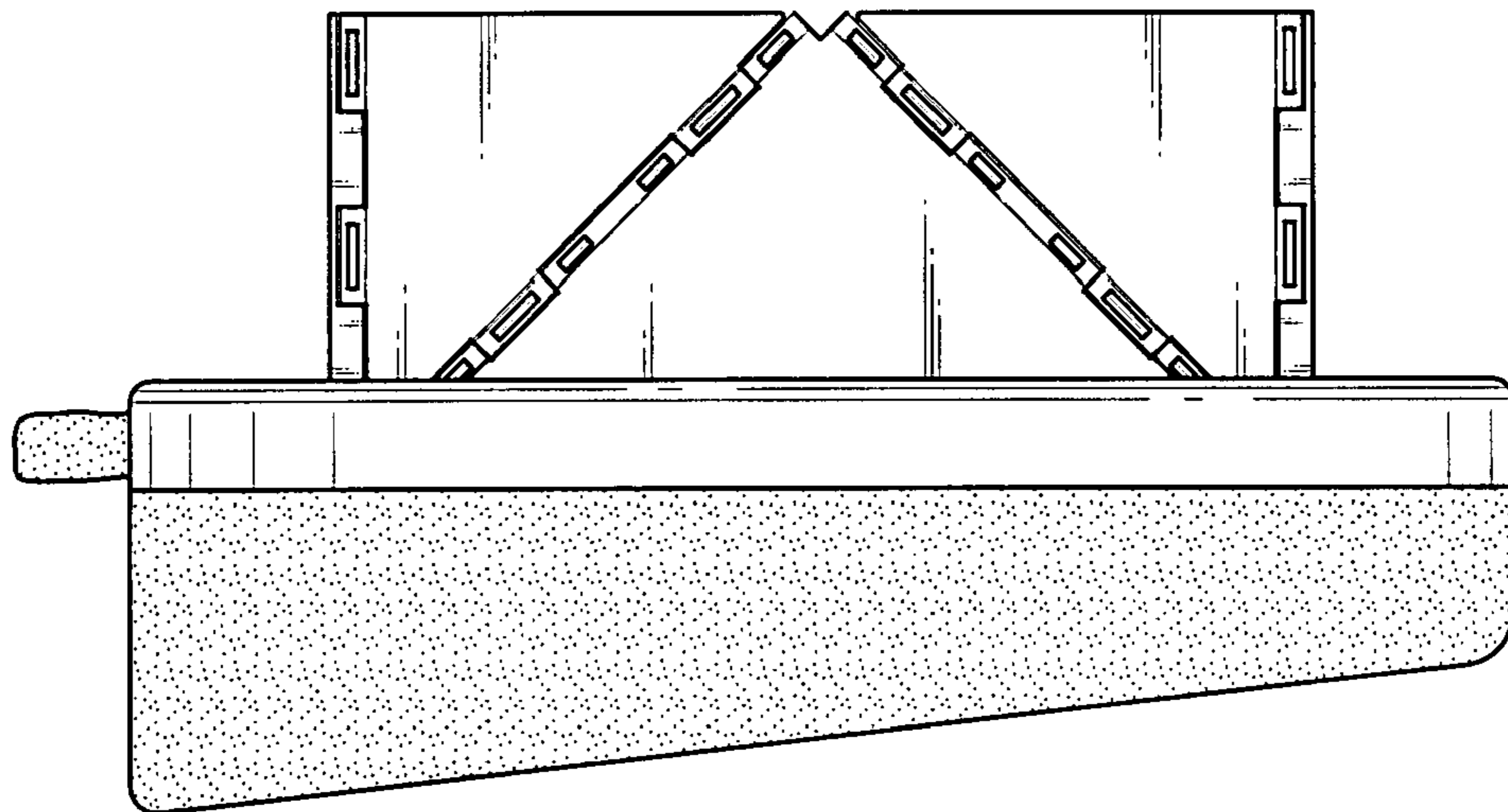


FIG.14