



US00D553883S

(12) **United States Design Patent** (10) **Patent No.:** **US D553,883 S**
DeJule (45) **Date of Patent:** **** Oct. 30, 2007**

(54) **TABLE LEG OR BASE**

(75) Inventor: **Aaron M. DeJule**, Chicago, IL (US)

(73) Assignee: **Krueger International, Inc.**

(**) Term: **14 Years**

(21) Appl. No.: **29/276,401**

(22) Filed: **Jan. 24, 2007**

Related U.S. Application Data

(62) Division of application No. 29/231,861, filed on Jun. 10, 2005.

(51) **LOC (8) Cl.** **06-06**

(52) **U.S. Cl.** **D6/495**

(58) **Field of Classification Search** D6/480-489,
D6/495-499, 429, 492; 108/153.1, 155,
108/157.1, 161; 248/188, 188.1, 188.8
See application file for complete search history.

(56) **References Cited**

U.S. PATENT DOCUMENTS

D248,139 S * 6/1978 Petersen D6/480

(Continued)

Primary Examiner—Janice E. Seeger

(74) *Attorney, Agent, or Firm*—Boyle Fredrickson, S.C.

(57) **CLAIM**

The ornamental design for a table leg or base, as shown and described.

DESCRIPTION

FIG. 1 is an isometric view of a table leg or base incorporating my new design, wherein the portions in phantom illustrate environment and form no part of the claimed design, and wherein the break lines indicate indeterminate length and/or height;

FIG. 2 is a top plan view thereof;

FIG. 3 is a side elevation view thereof;

FIG. 4 is an enlarged partial elevation view showing a lower end thereof;

FIG. 5 is an end elevation view thereof;

FIG. 6 is a bottom plan view thereof;

FIG. 7 is an isometric view illustrating another embodiment of a table base or leg incorporating my new design, wherein the portions in phantom illustrate environment and form no part of the claimed design, and wherein the break lines indicate indeterminate length and/or height;

FIG. 8 is a top plan view thereof;

FIG. 9 is a side elevation view thereof, wherein an enlarged side elevation view of the bottom end portion thereof is the same as illustrated in FIG. 4;

FIG. 10 is an end elevation view thereof;

FIG. 11 is a bottom plan view thereof;

FIG. 12 is an isometric view of another embodiment of a table base or leg incorporating my new design, wherein the portions in phantom illustrate environment and form no part of the claimed design;

FIG. 13 is a top plan view thereof;

FIG. 14 is a side elevation view thereof, wherein an enlarged side elevation view of the bottom end portion thereof is the same as illustrated in FIG. 4;

FIG. 15 is an end elevation view thereof;

FIG. 16 is a bottom plan view thereof;

FIG. 17 is an isometric view of another embodiment of a table leg or base incorporating my new design, wherein the portions in phantom illustrate environment and form no part of the claimed design;

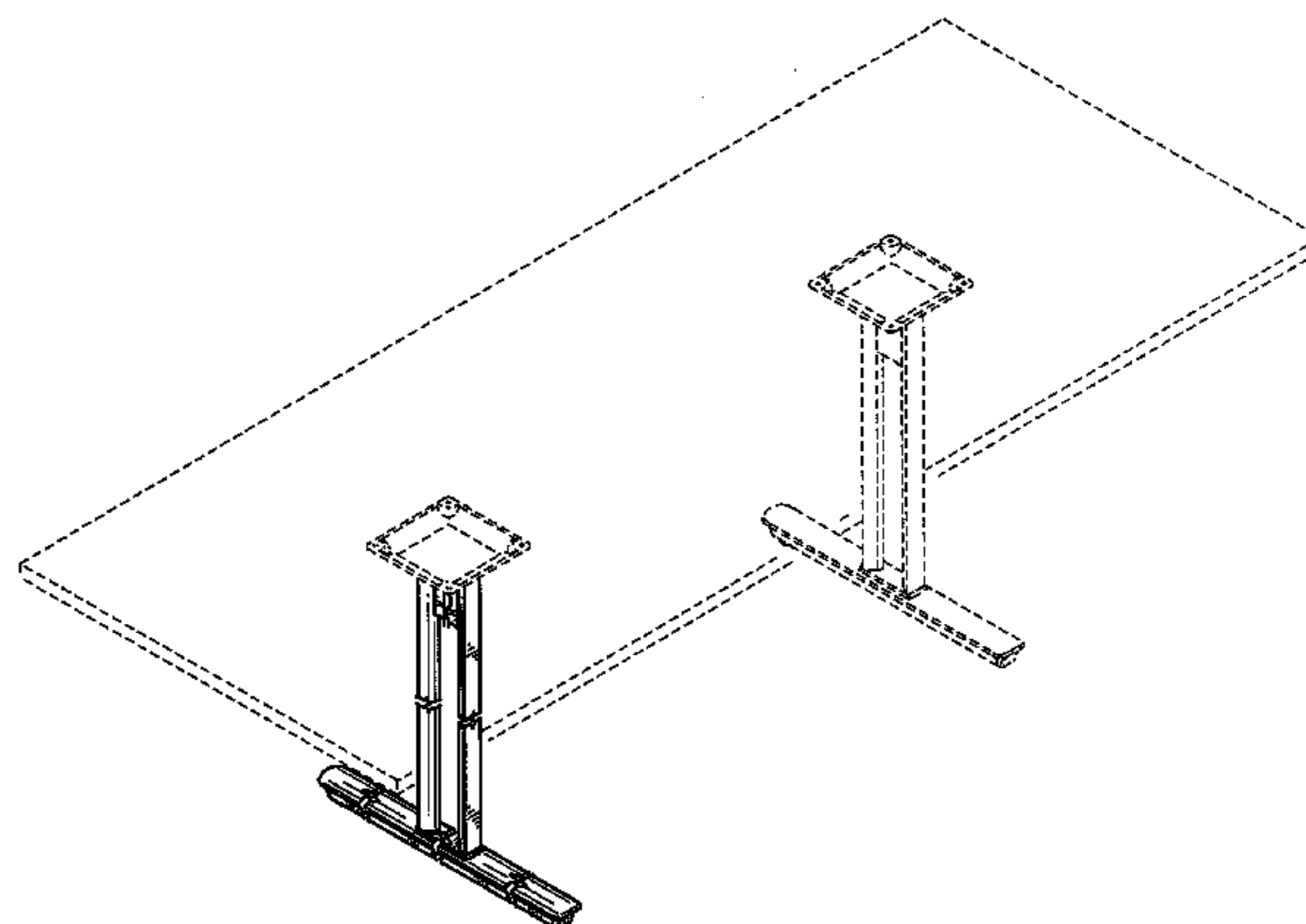
FIG. 18 is a top plan view thereof;

FIG. 19 is a side elevation view thereof, wherein an enlarged side elevation view of the bottom end portion thereof is the same as illustrated in FIG. 4;

FIG. 20 is an end elevation view thereof; and,

FIG. 21 is a bottom plan view thereof.

1 Claim, 16 Drawing Sheets



US D553,883 S

Page 2

U.S. PATENT DOCUMENTS

D283,094 S *	3/1986	Strand et al.	D6/478	D399,682 S *	10/1998	Lepper et al.	D6/484
D318,967 S	8/1991	Murry		D410,806 S *	6/1999	Olson et al.	D6/484
D332,885 S	2/1993	Miller		D412,256 S	7/1999	Gutgsell	
D334,857 S	4/1993	Miller		D435,370 S	12/2000	Gutgsell	
5,323,695 A *	6/1994	Borgman et al.	108/147	D439,772 S	4/2001	Gutgsell	
5,427,035 A *	6/1995	Grahl	108/146	D461,344 S	8/2002	Noll	
D377,724 S	2/1997	Loznikov		D476,512 S	7/2003	Glass	
D379,127 S	5/1997	Schacht		D498,091 S	11/2004	Winter et al.	
D380,632 S	7/1997	Schacht		D512,251 S *	12/2005	Sakurai et al.	D6/495

* cited by examiner

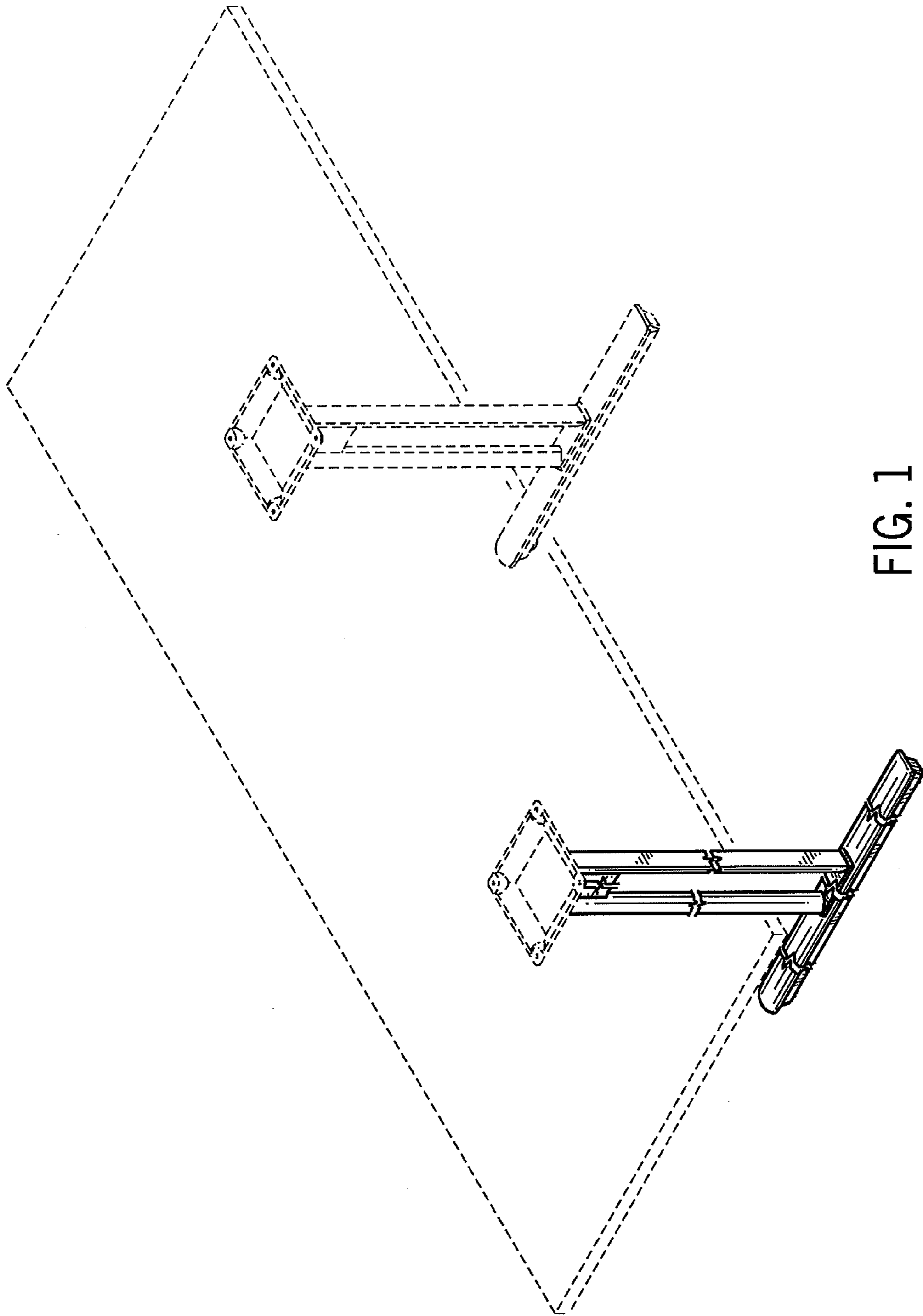


FIG. 1

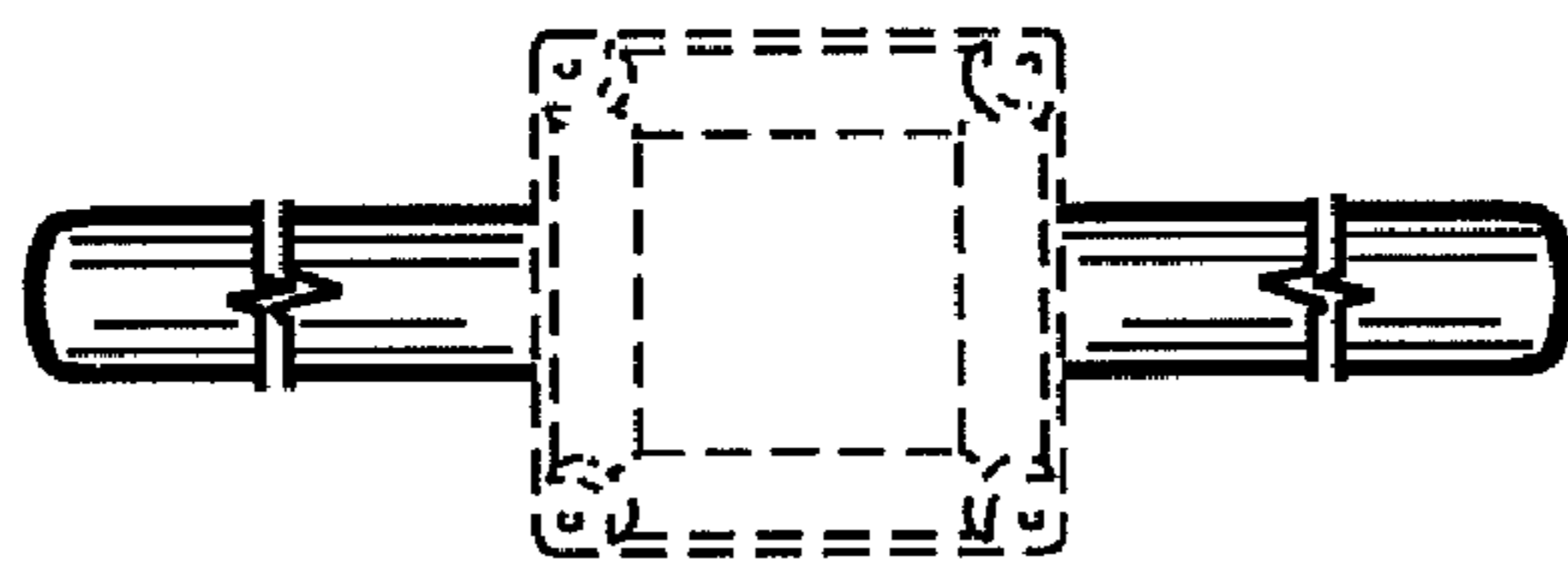
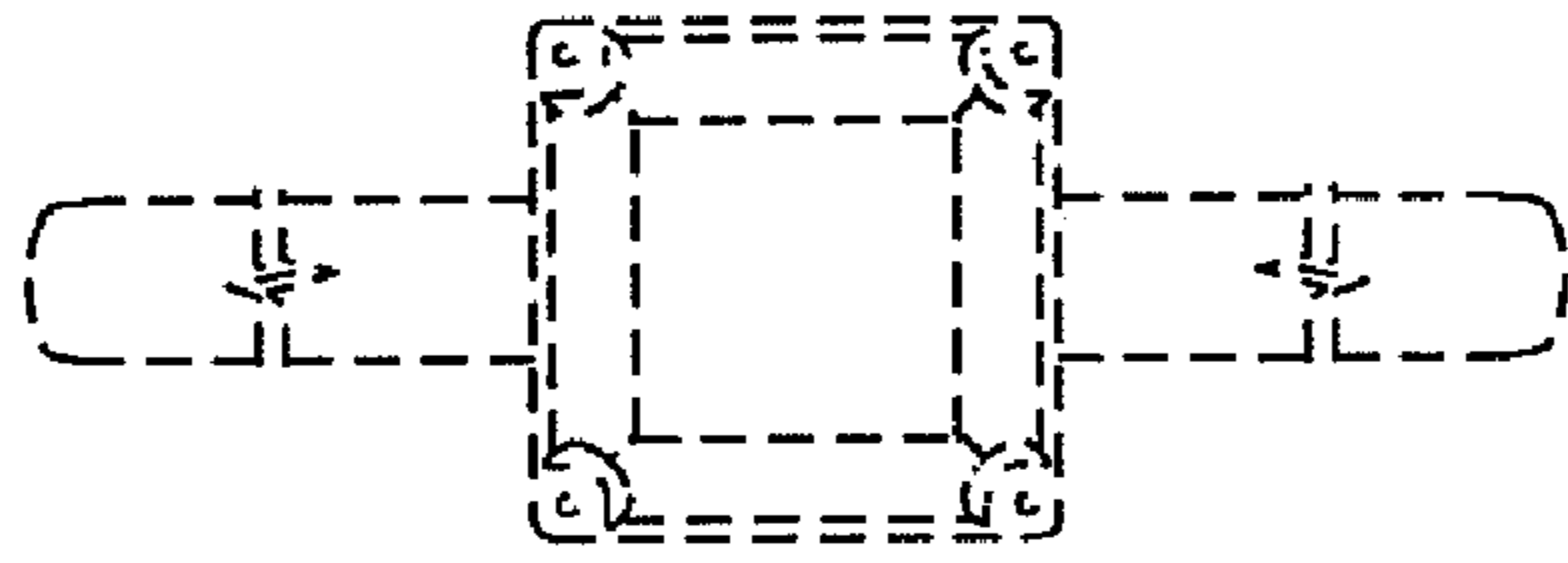


FIG. 2

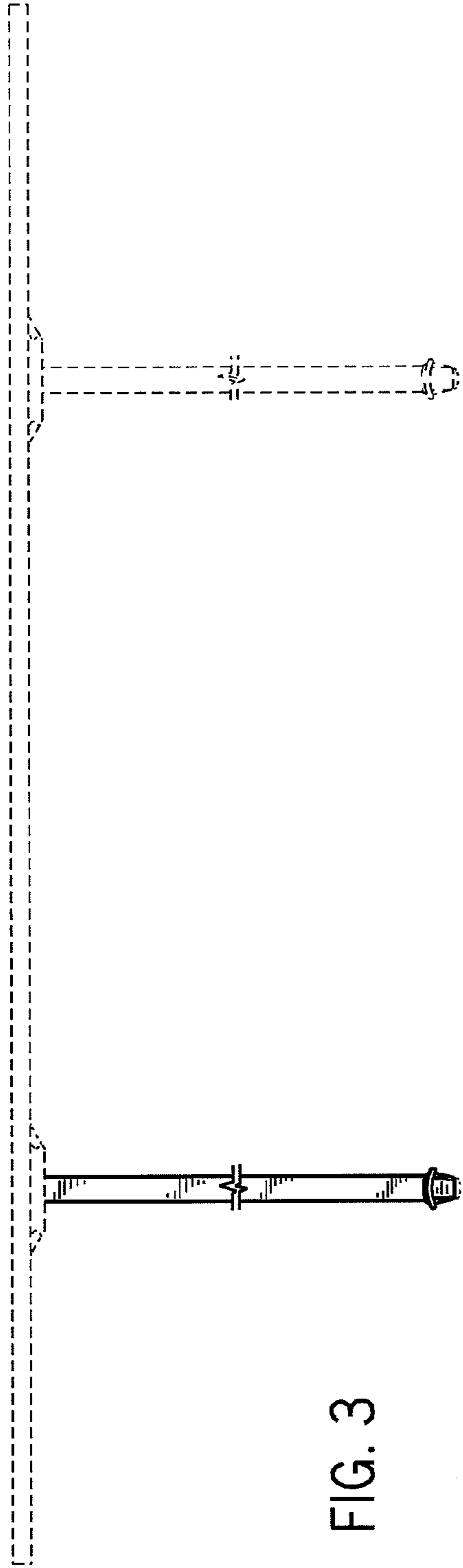


FIG. 3

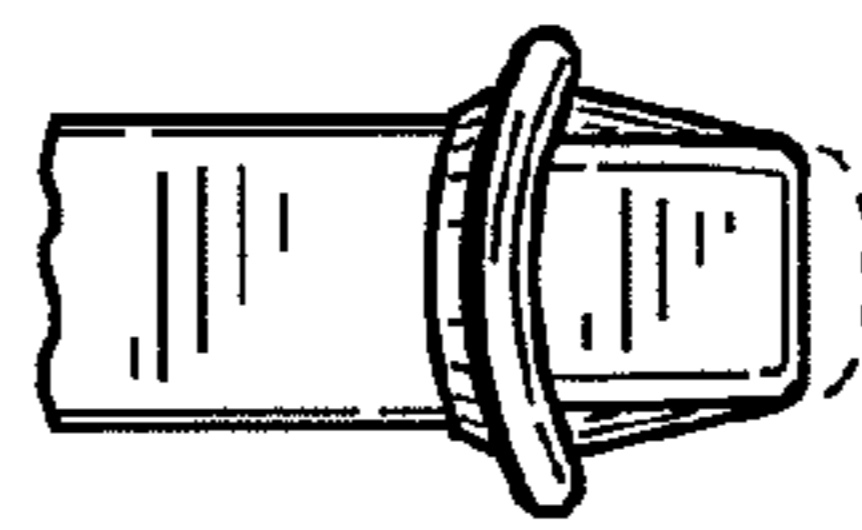


FIG. 4

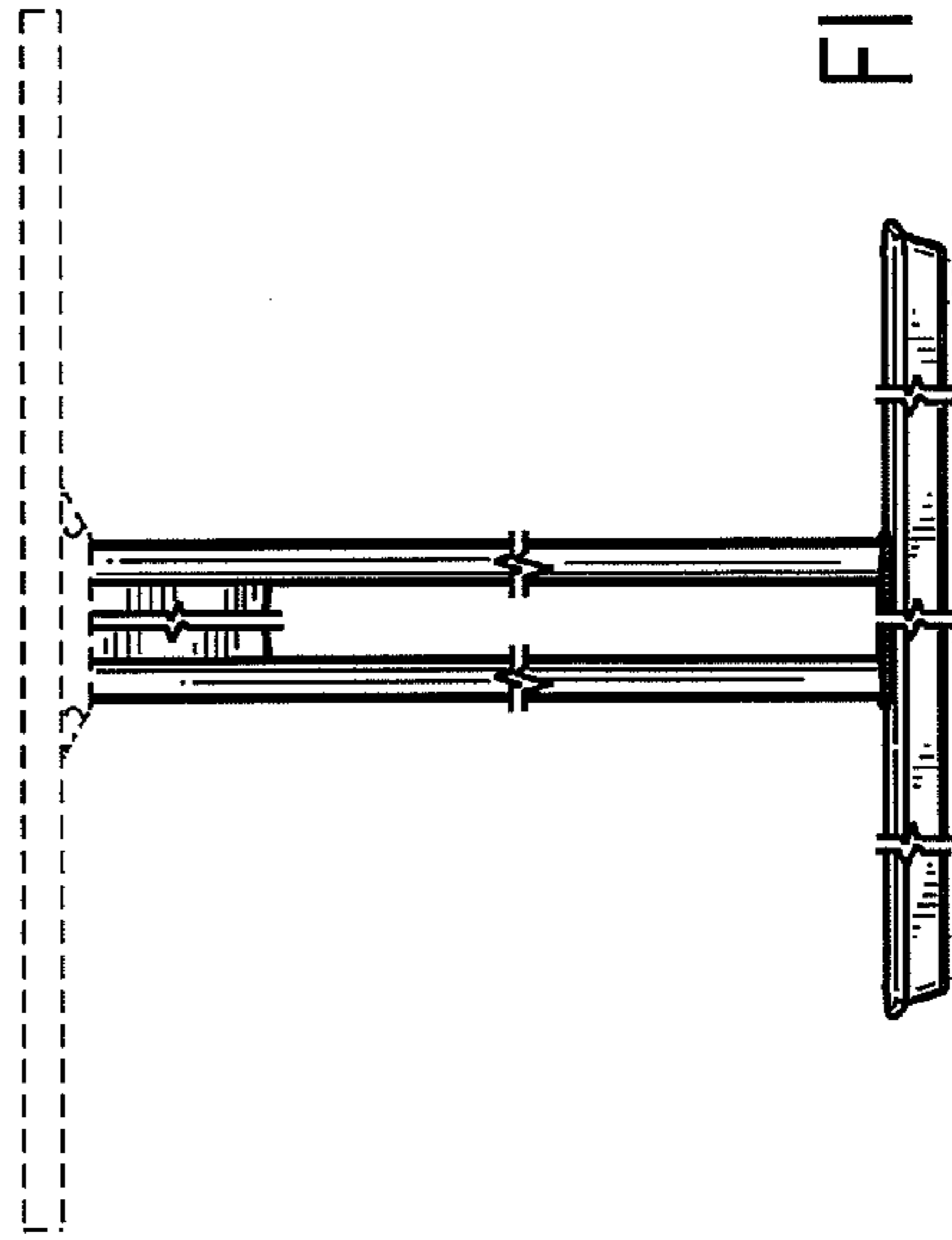


FIG. 5

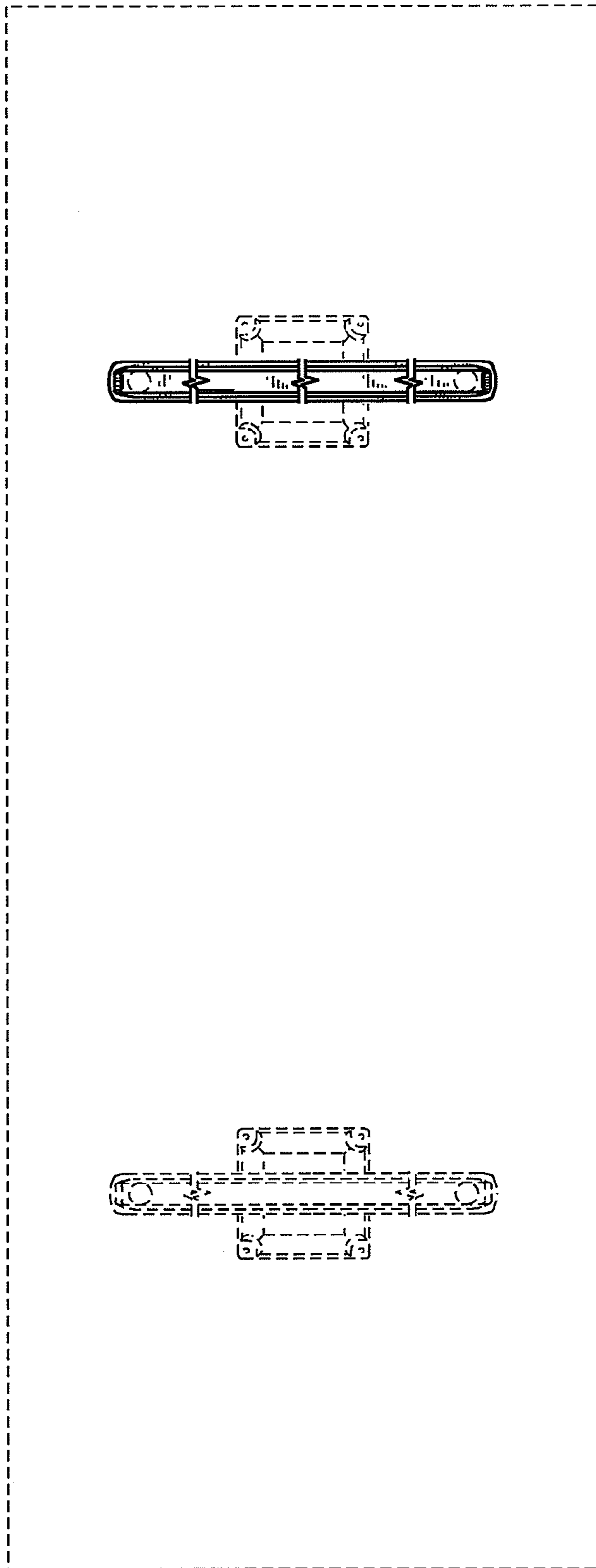


FIG. 6

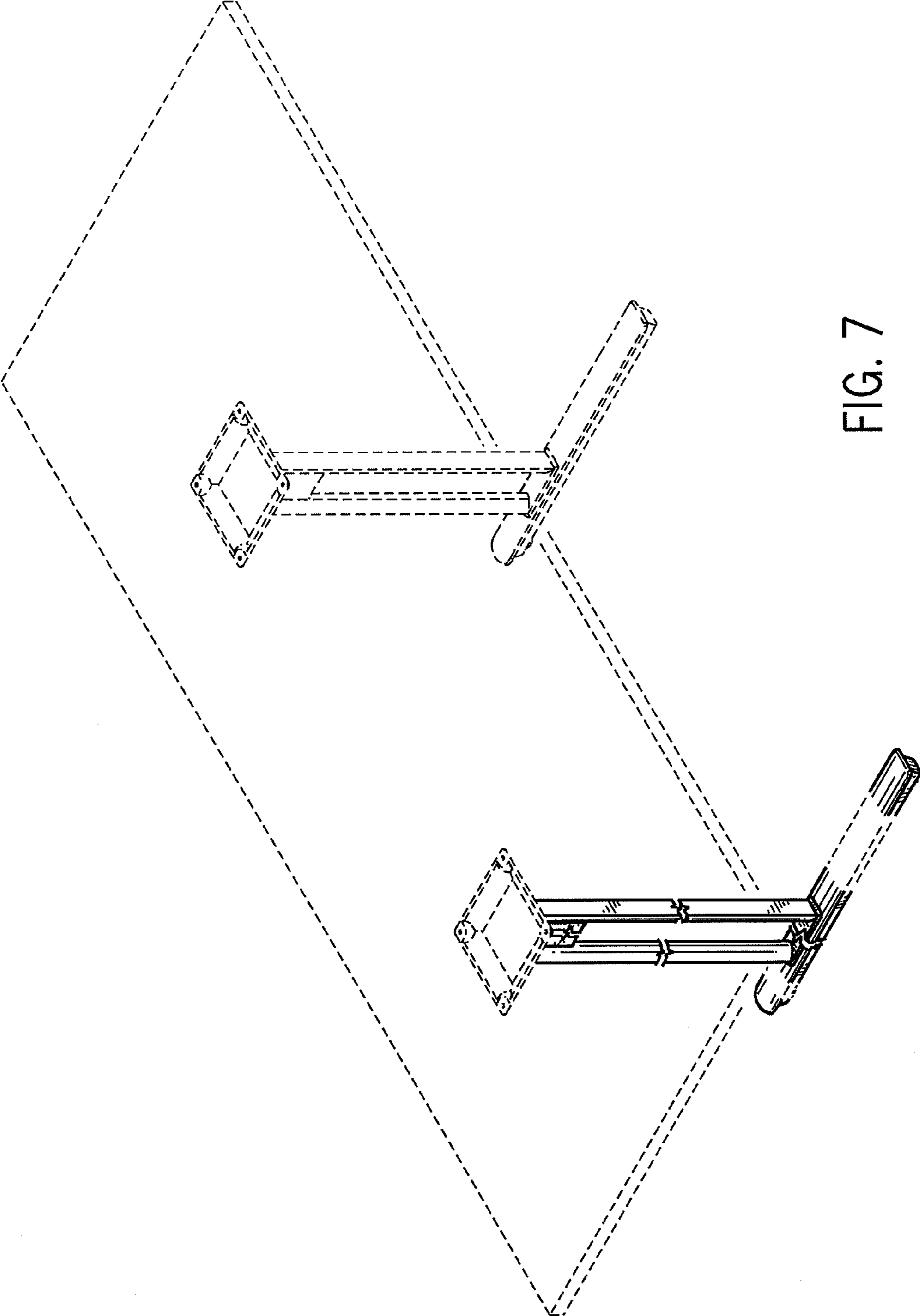


FIG. 7

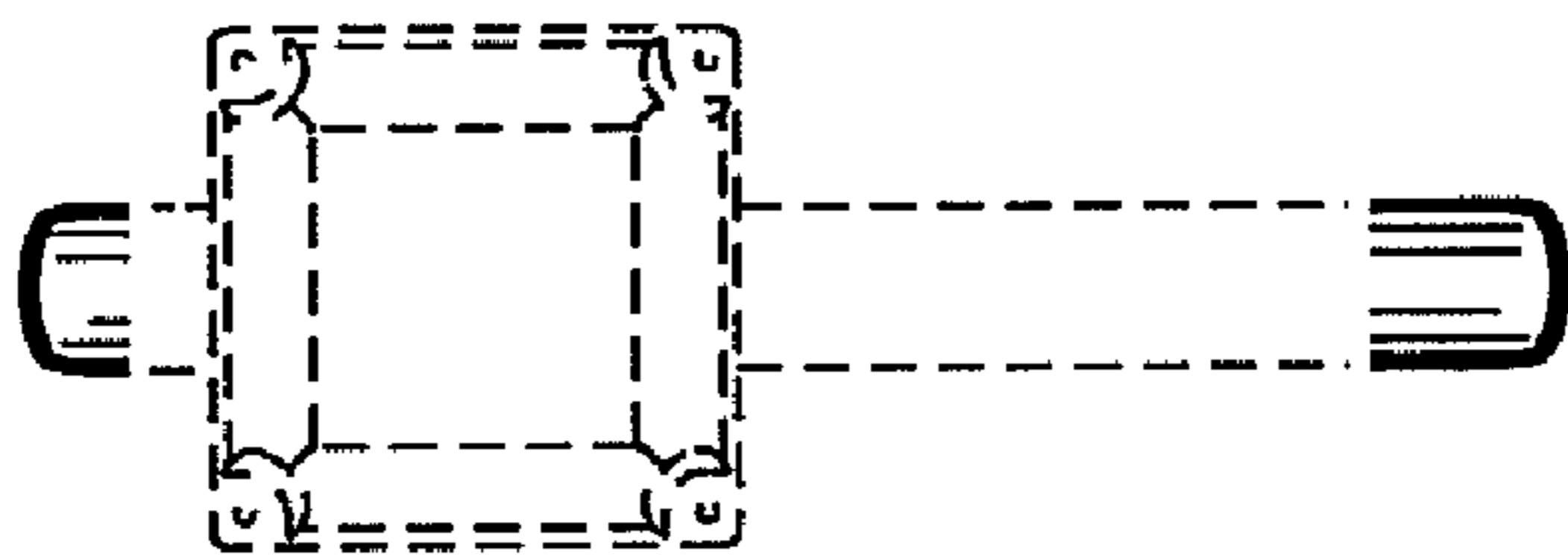
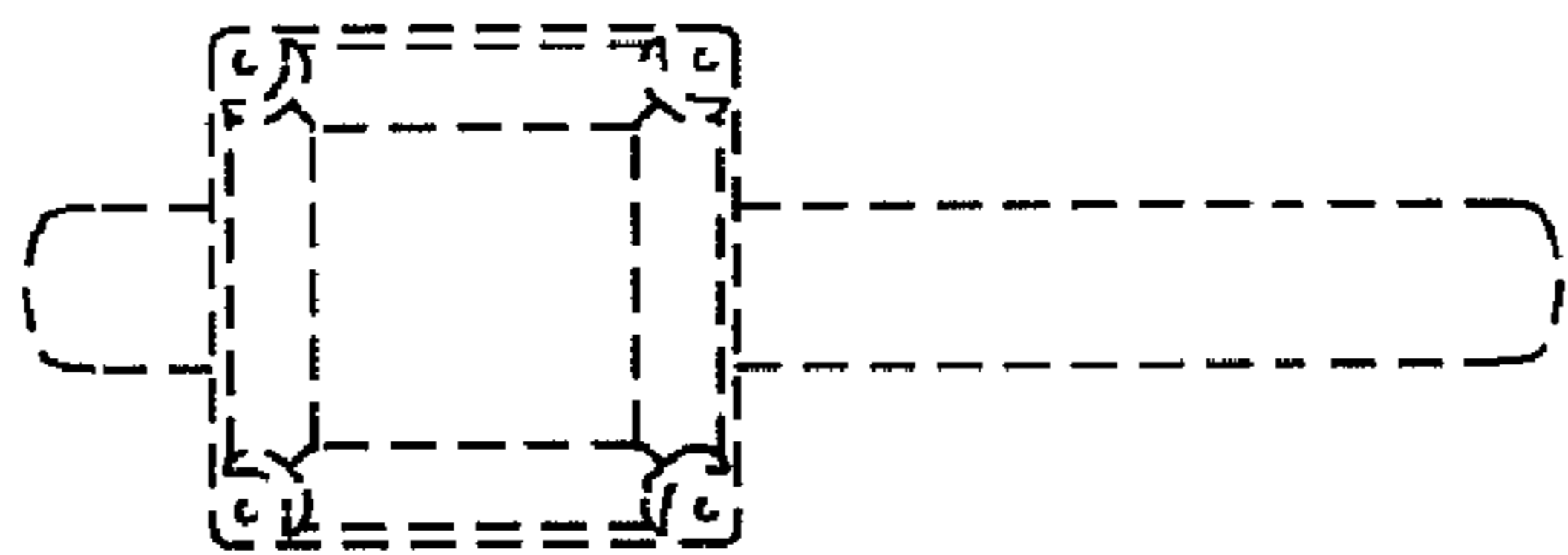


FIG. 8

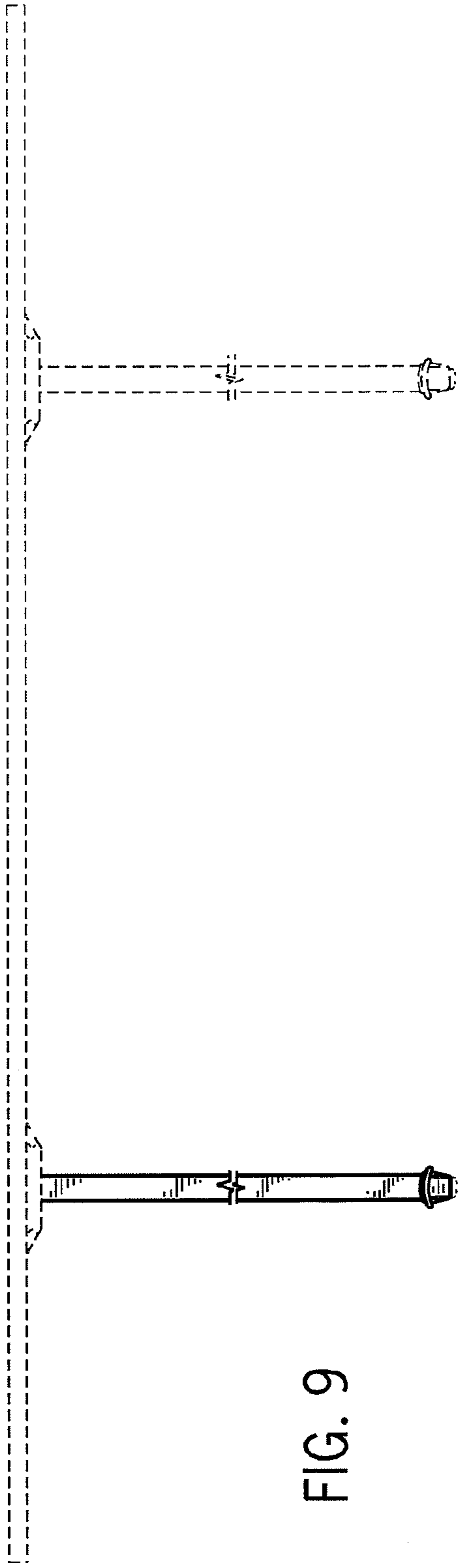


FIG. 9

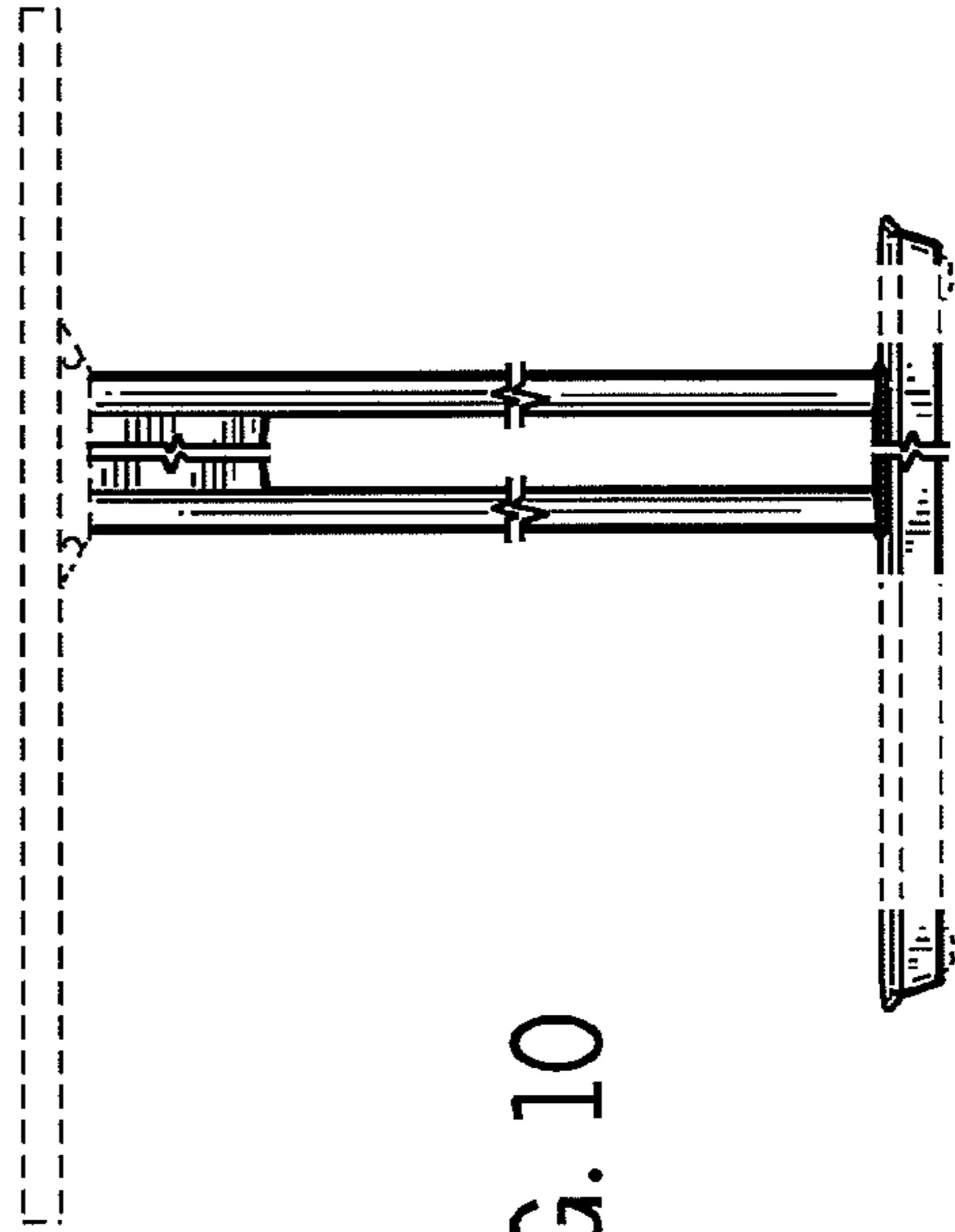


FIG. 10

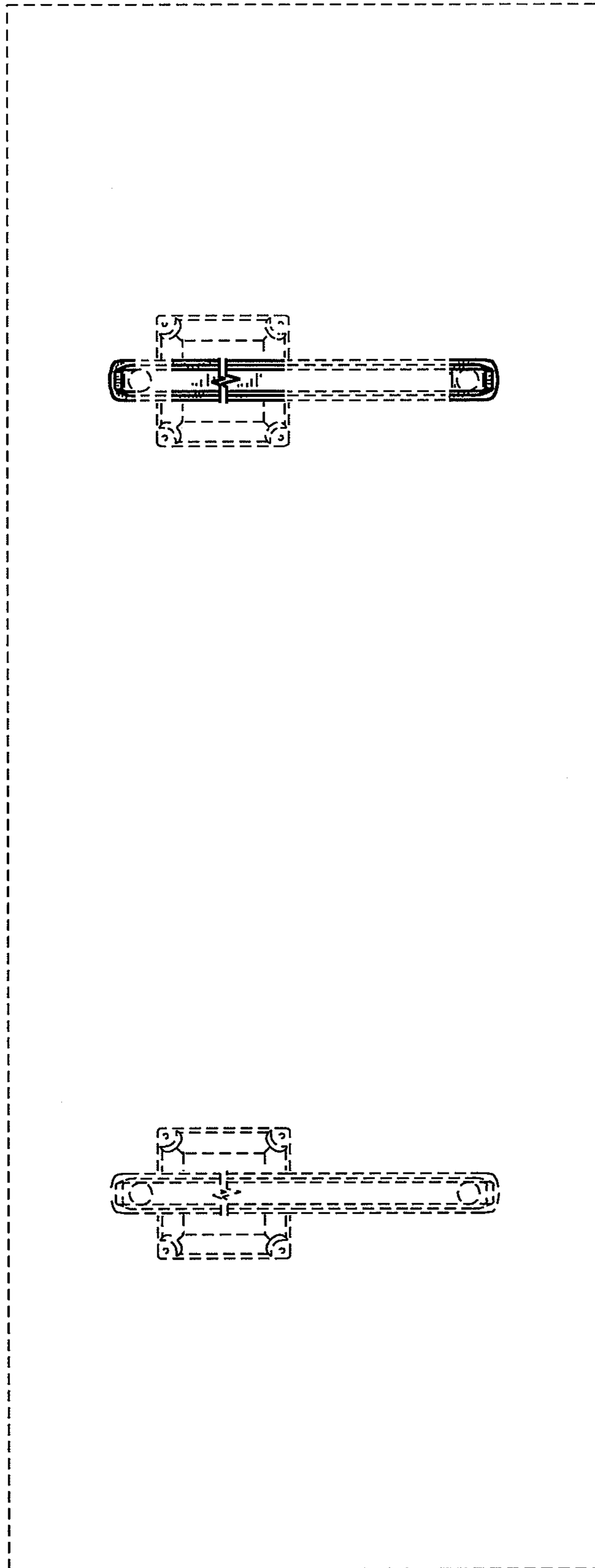


FIG. 11

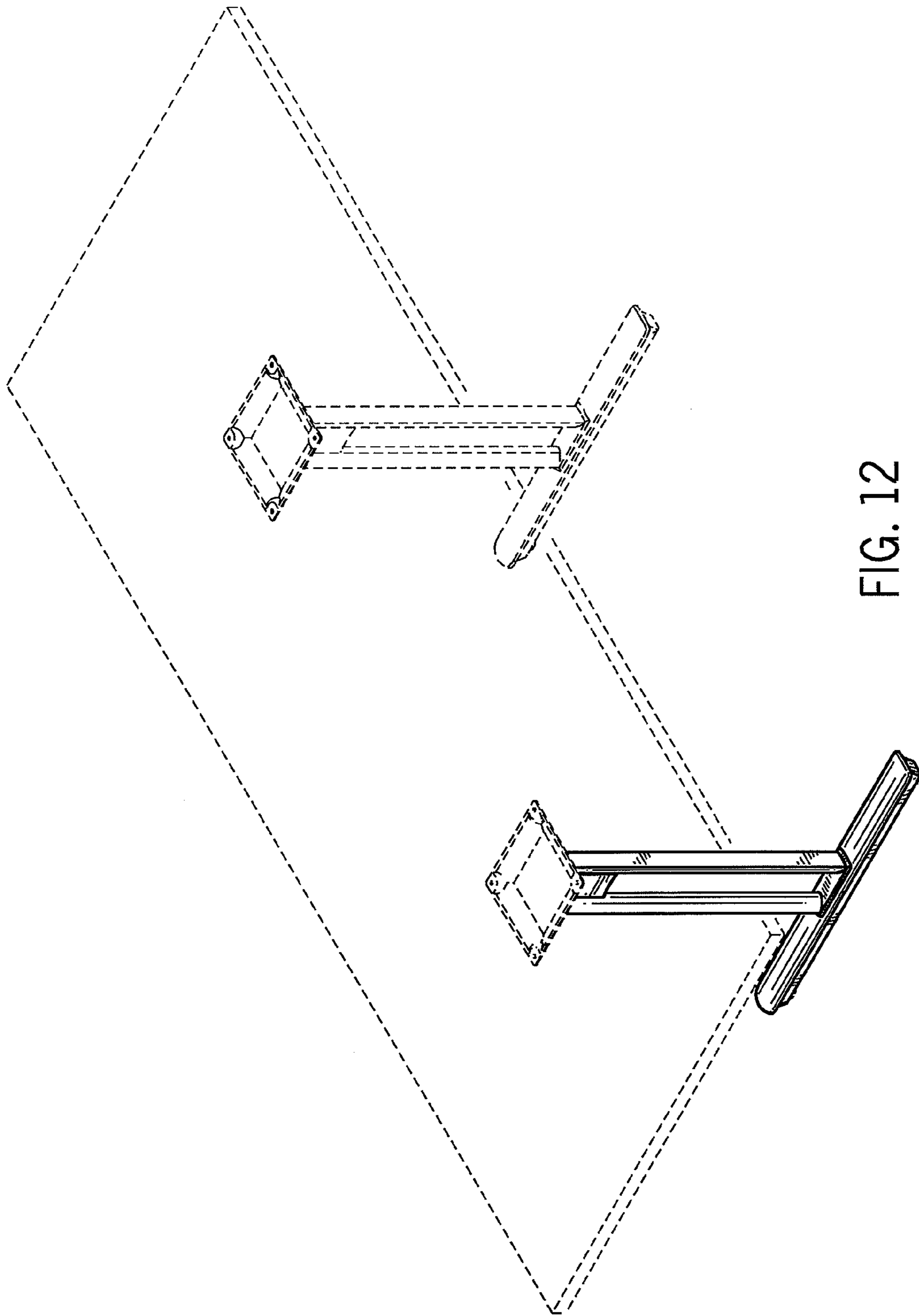


FIG. 12

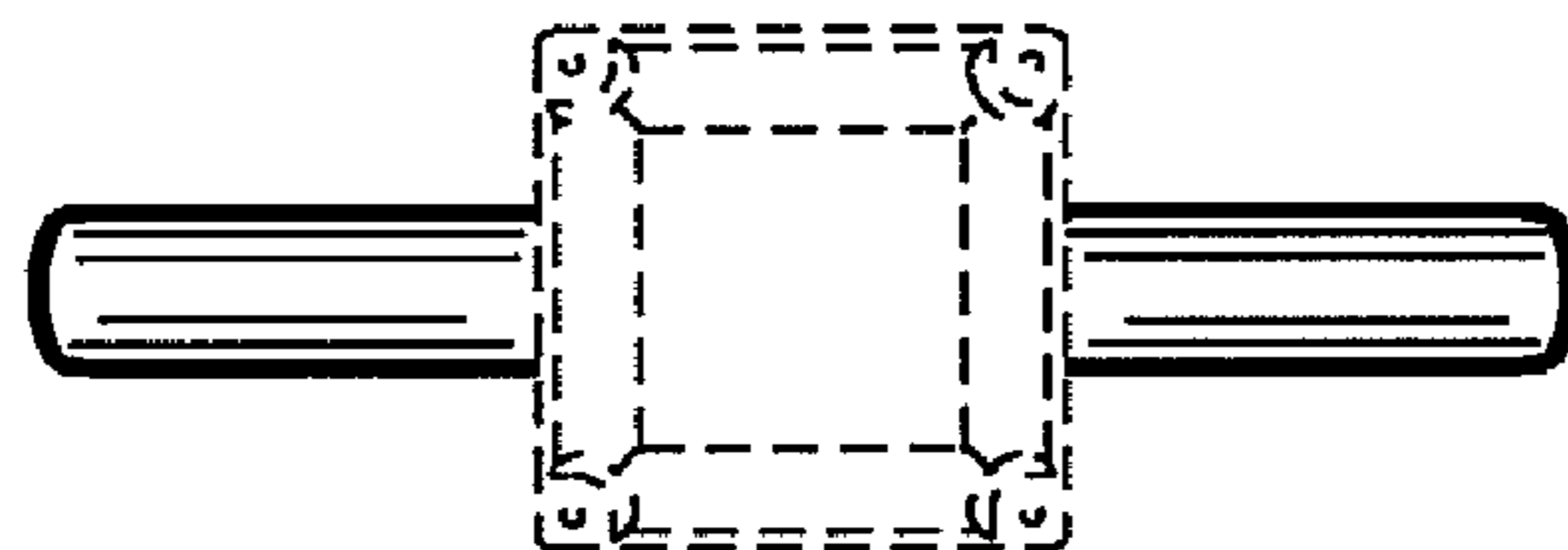
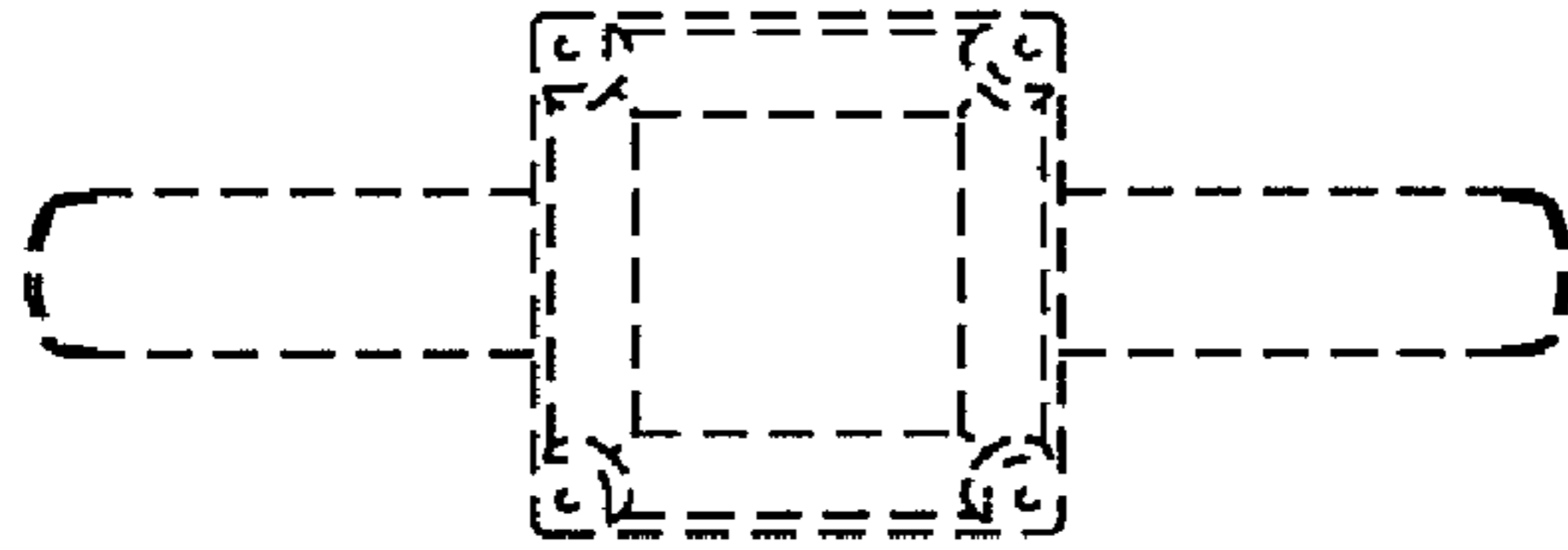


FIG. 13

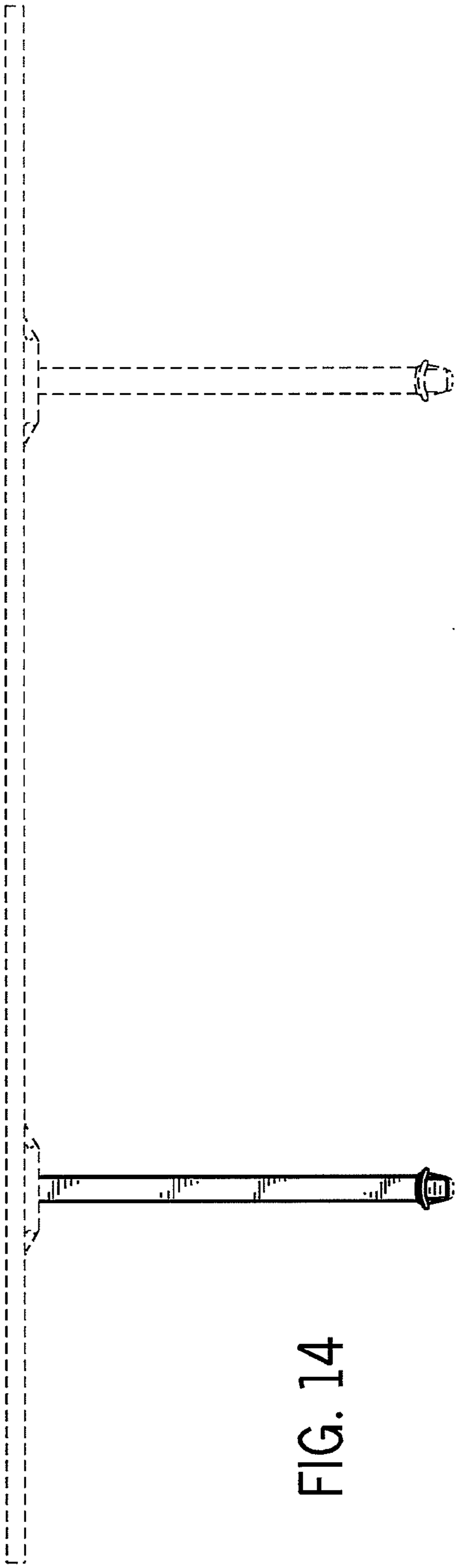


FIG. 14

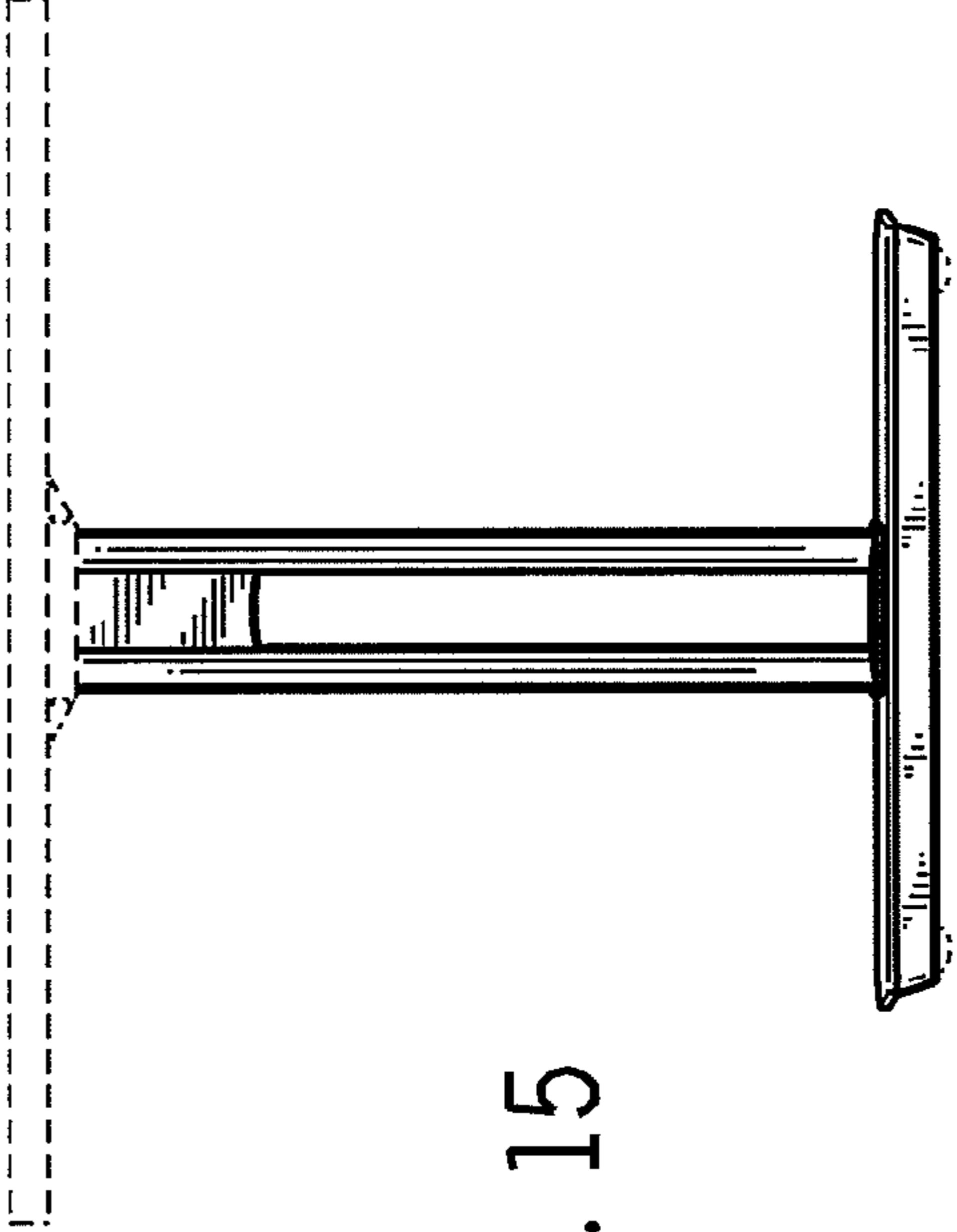


FIG. 15

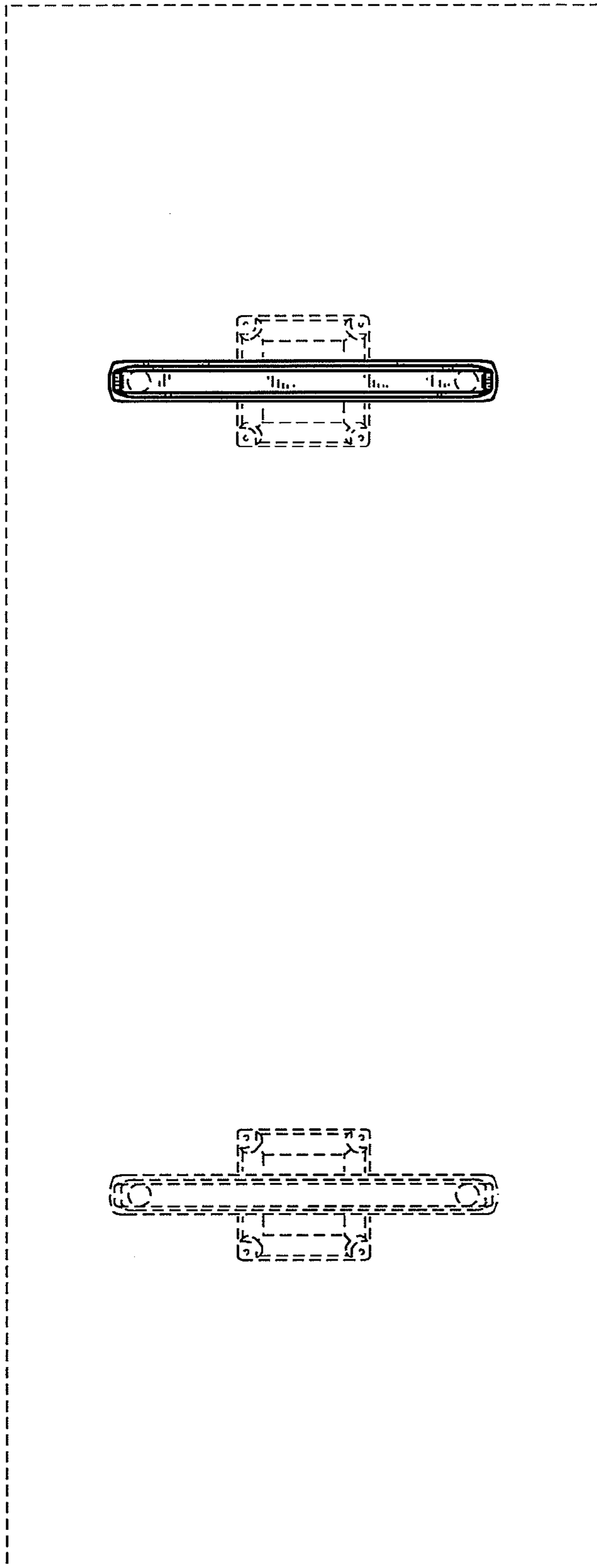


FIG. 16

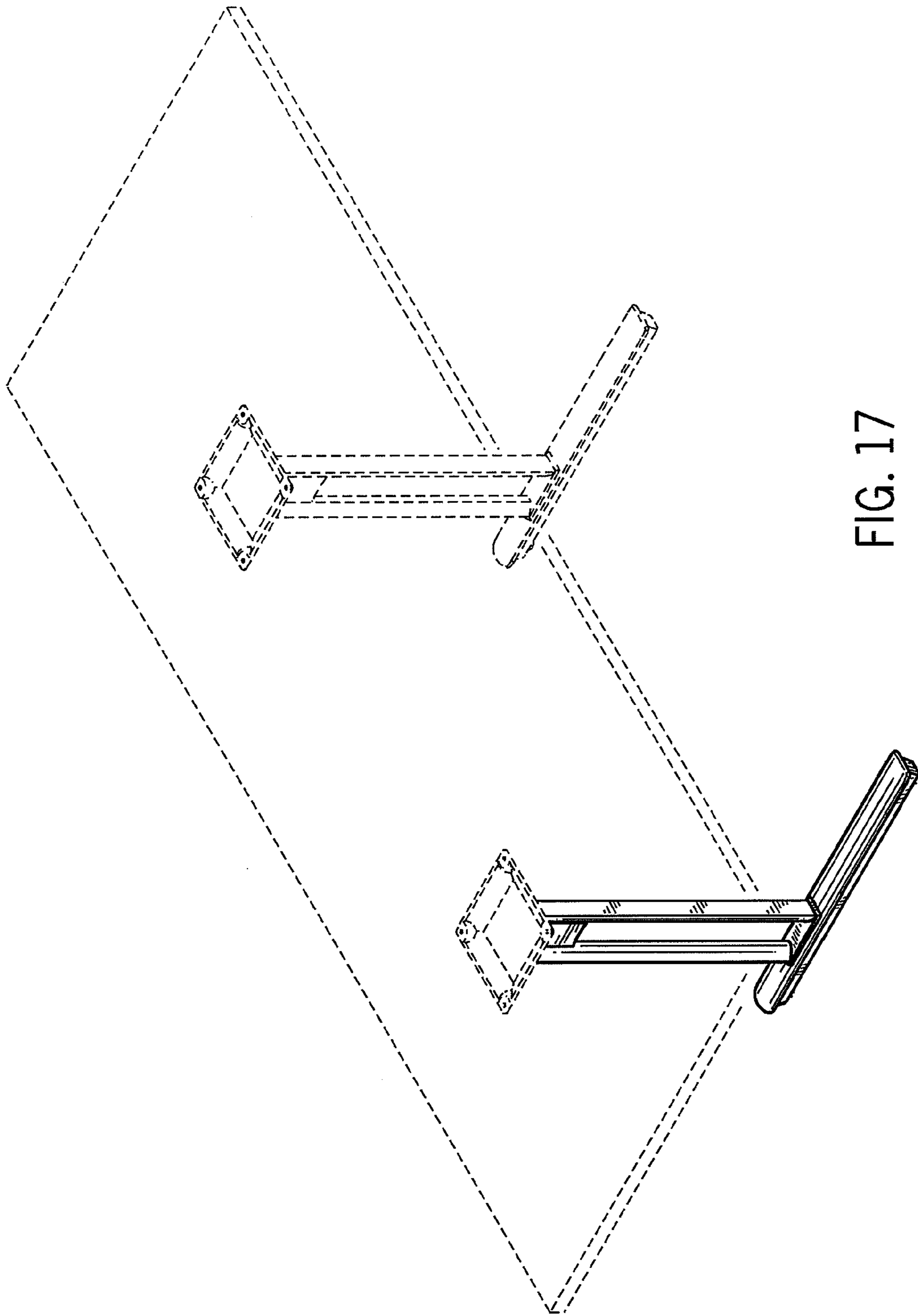


FIG. 17

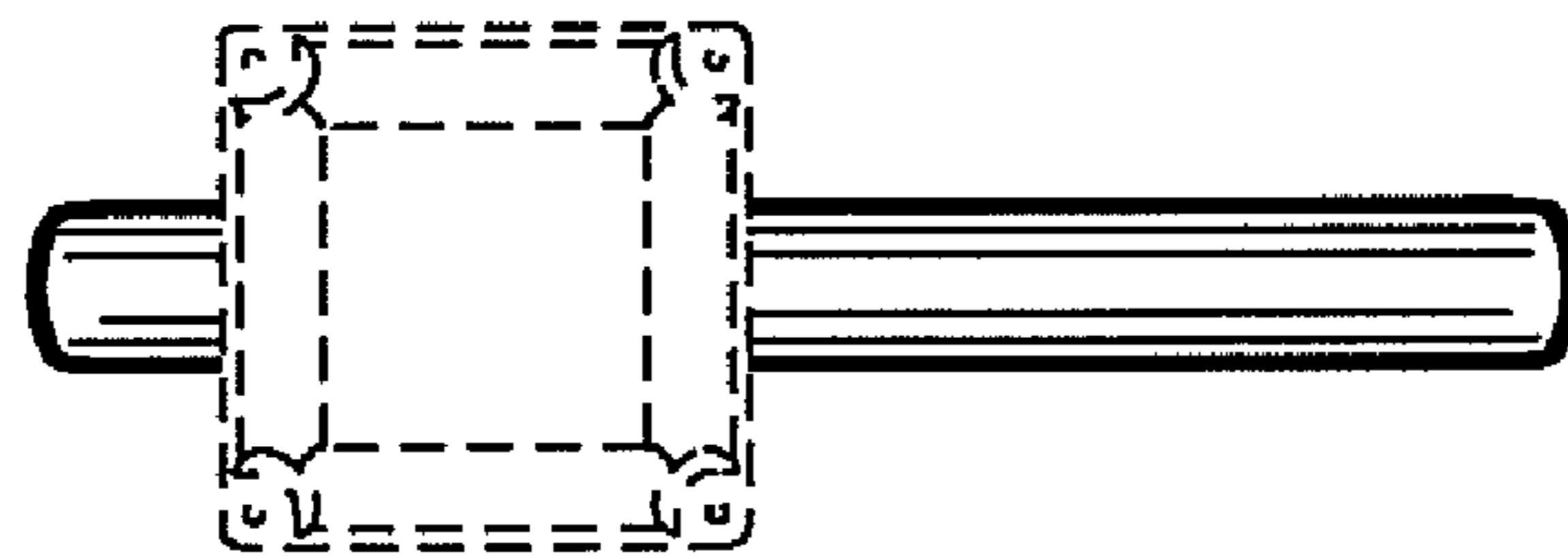
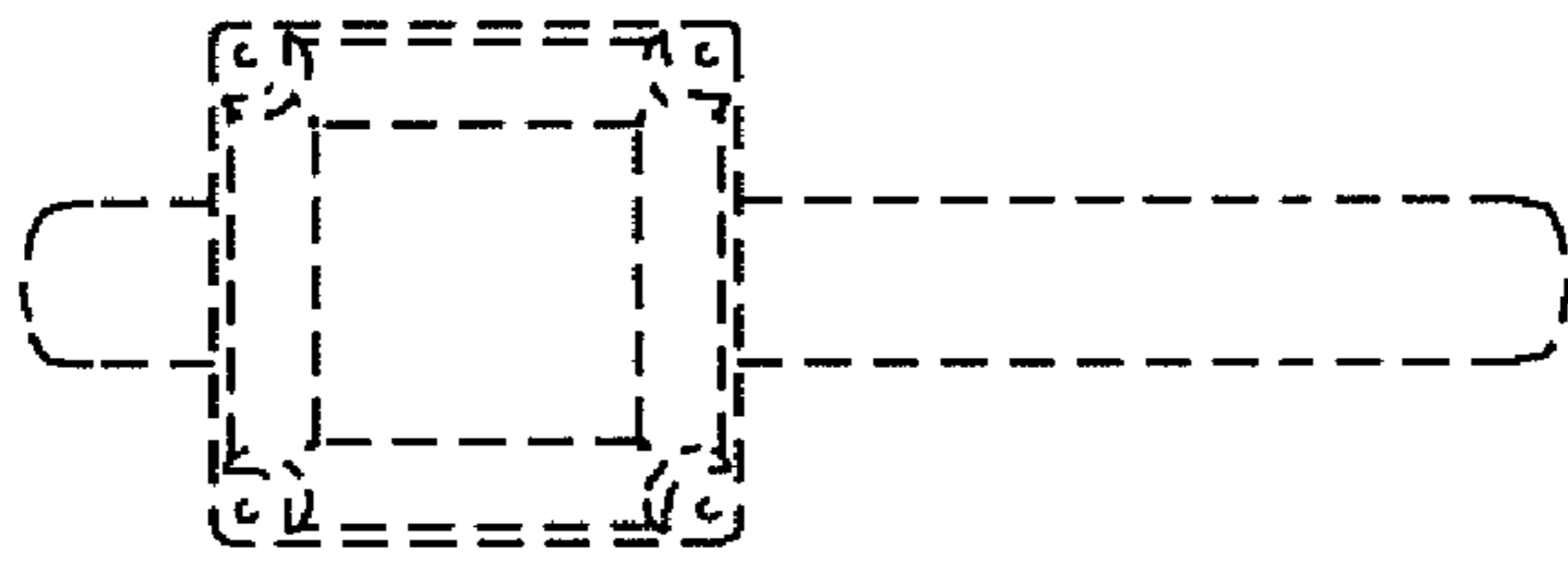


FIG. 18

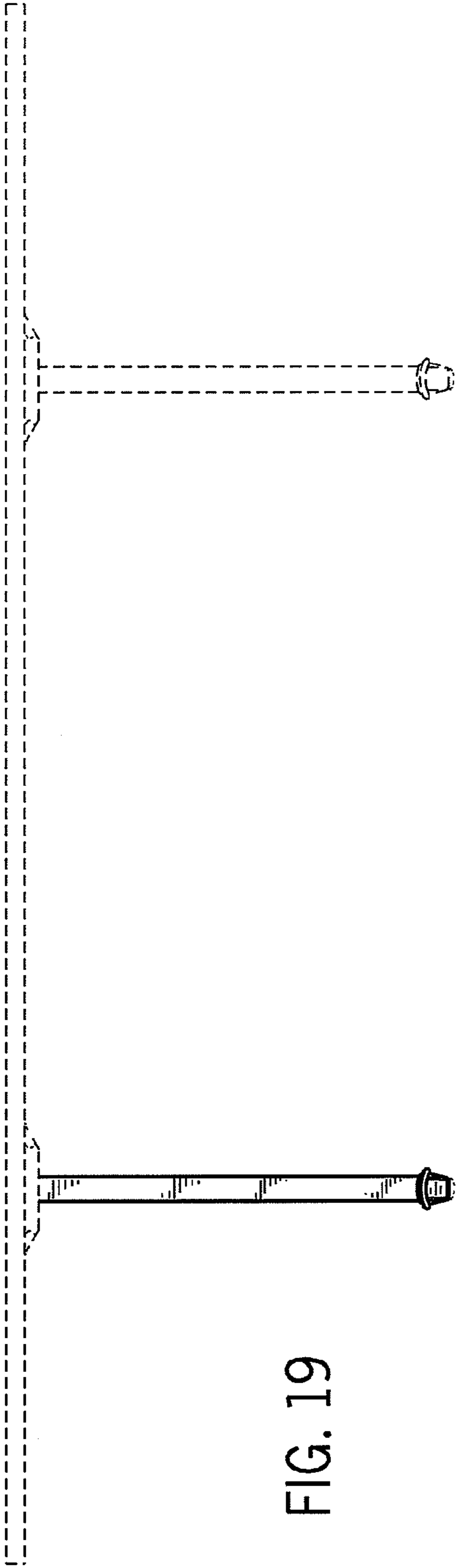


FIG. 19

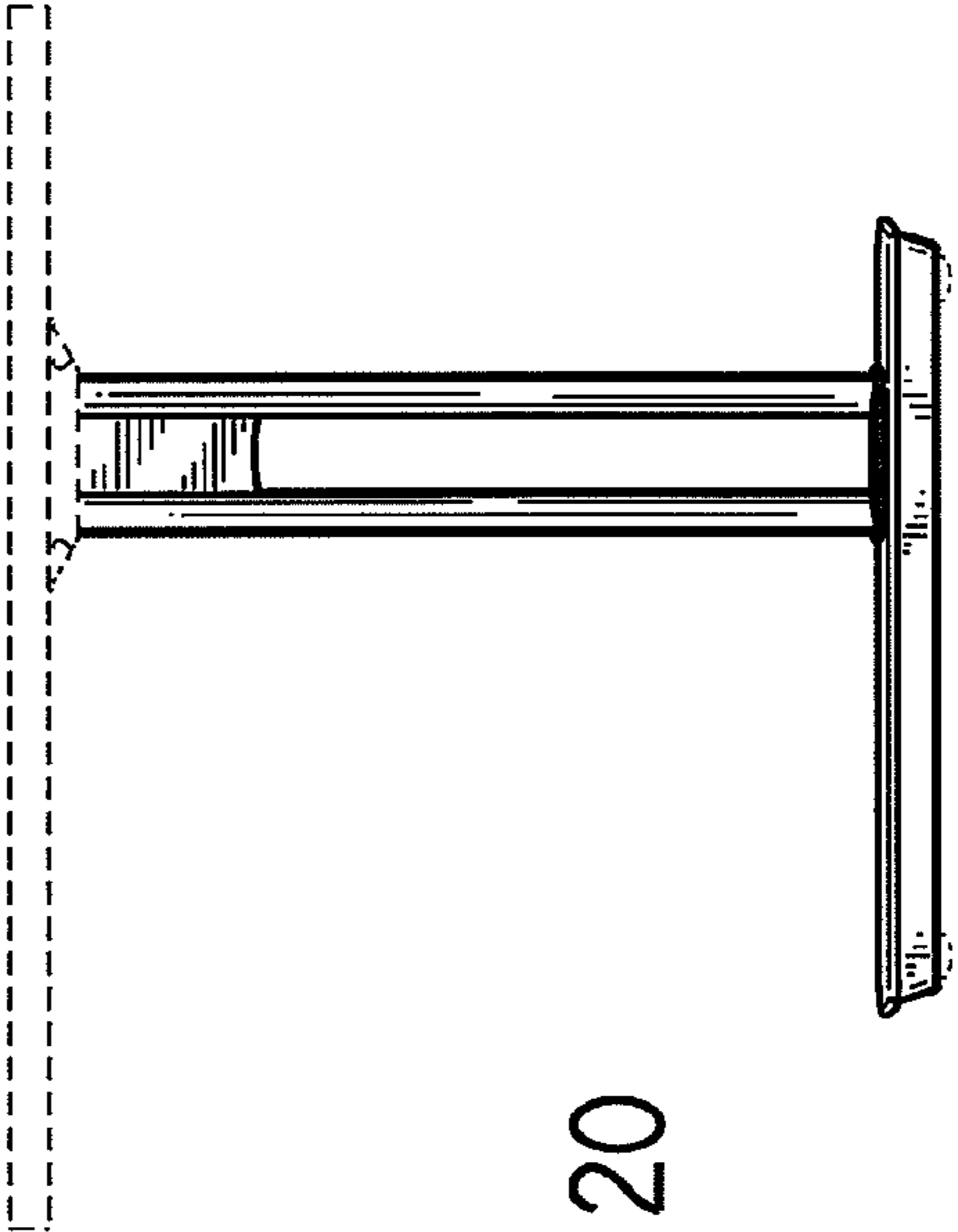


FIG. 20

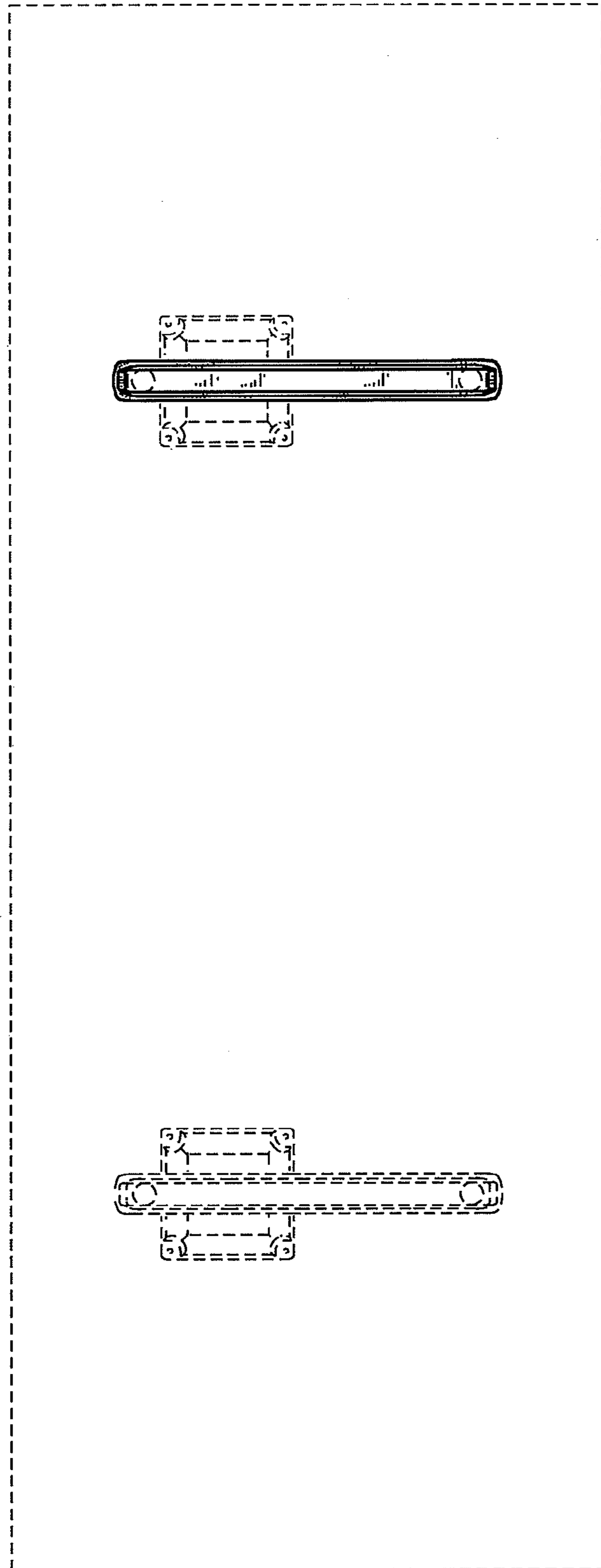


FIG. 21