



US00D553882S

(12) **United States Design Patent**
Diekman

(10) **Patent No.:** **US D553,882 S**
(45) **Date of Patent:** **** Oct. 30, 2007**

(54) **TABLE**

(76) **Inventor:** **Norman Joseph Diekman, c/o**
Schweitzer Cornman Gross & Bondell
LLP, 292 Madison Ave. - 19th Floor,
New York, NY (US) 10017

(**) **Term:** **14 Years**

(21) **Appl. No.:** **29/253,706**

(22) **Filed:** **Feb. 10, 2006**

Related U.S. Application Data

(63) Continuation-in-part of application No. 29/213,484,
filed on Sep. 18, 2004, now Pat. No. Des. 517,842.

(51) **LOC (8) Cl.** **06-06**

(52) **U.S. Cl.** **D6/495**

(58) **Field of Classification Search** D6/480-489,
D6/495-499, 429; 108/153.1, 155, 157.1,
108/161; 248/188, 188.1, 188.8
See application file for complete search history.

(56) **References Cited**

U.S. PATENT DOCUMENTS

D254,994 S *	5/1980	Miereanu et al.	D30/106
D271,846 S *	12/1983	Hernandez	D8/356
D276,675 S *	12/1984	Hamami	D6/483
D277,438 S *	2/1985	Passarello	D6/483
D517,842 S *	3/2006	Diekman	D6/495

* cited by examiner

Primary Examiner—Janice E. Seeger

(74) *Attorney, Agent, or Firm*—Schweitzer Cornman Gross
& Bondell LLP

(57) **CLAIM**

The ornamental design for a table, as shown and described.

DESCRIPTION

FIG. 1 is a front perspective view of a table, showing my new design;

FIG. 2 is a rear perspective view thereof;

FIG. 3 is a top plan view thereof;

FIG. 4 is a front elevational view thereof;

FIG. 5 is a rear elevational view thereof;

FIG. 6 is a right side elevational view thereof;

FIG. 7 is a left side elevational view thereof;

FIG. 8 is a bottom plan view thereof;

FIG. 9 is a front perspective view, showing an alternate embodiment of my new design,

FIG. 10 is a rear perspective view thereof;

FIG. 11 is a plan view thereof;

FIG. 12 is a front elevation view thereof;

FIG. 13 is a rear elevational view thereof;

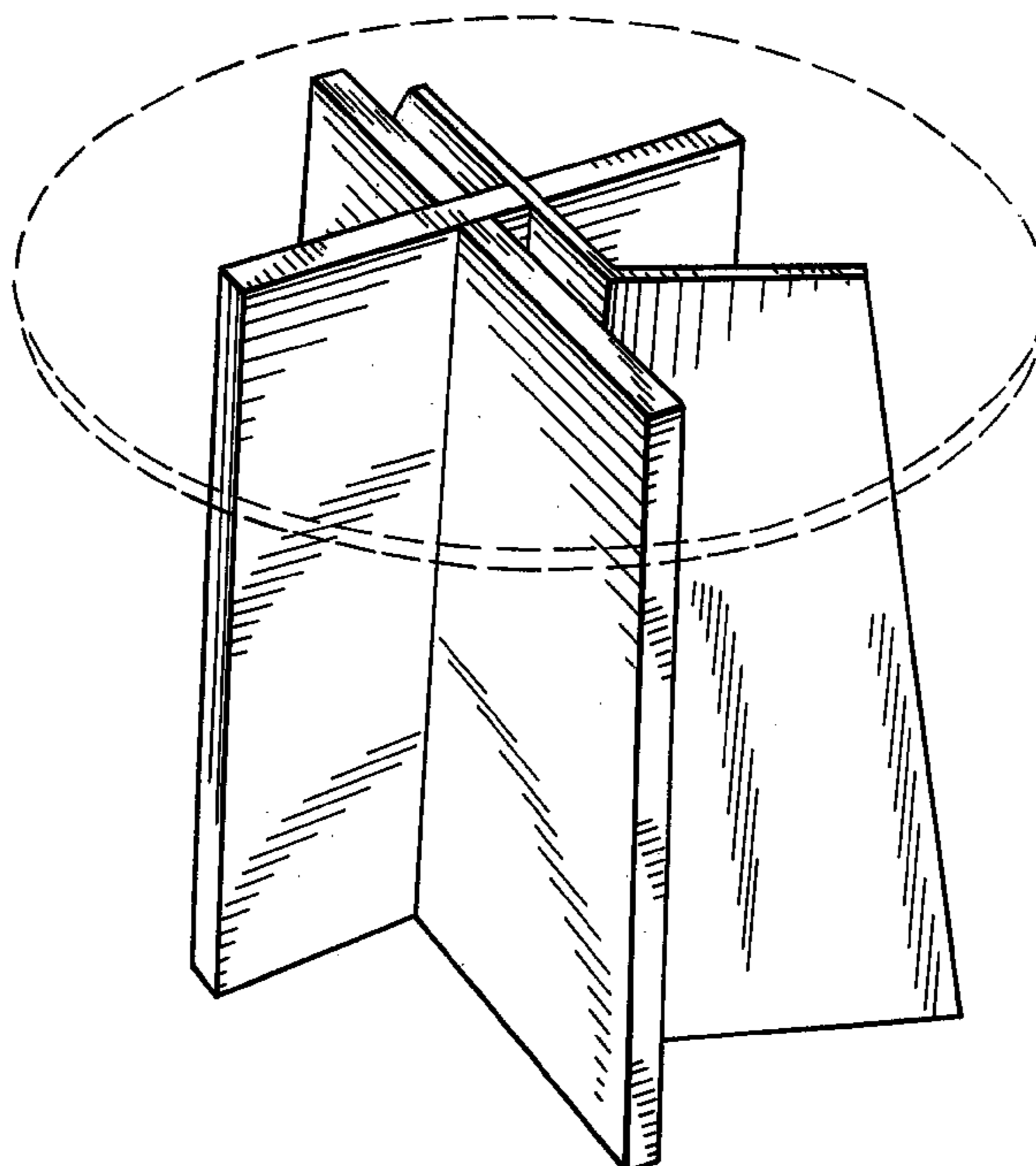
FIG. 14 is a right side elevational view thereof;

FIG. 15 is a left side elevational view thereof: and,

FIG. 16 is a bottom plan view thereof.

The broken lines are for environmental purposes only and form no part of the claimed design.

1 Claim, 10 Drawing Sheets



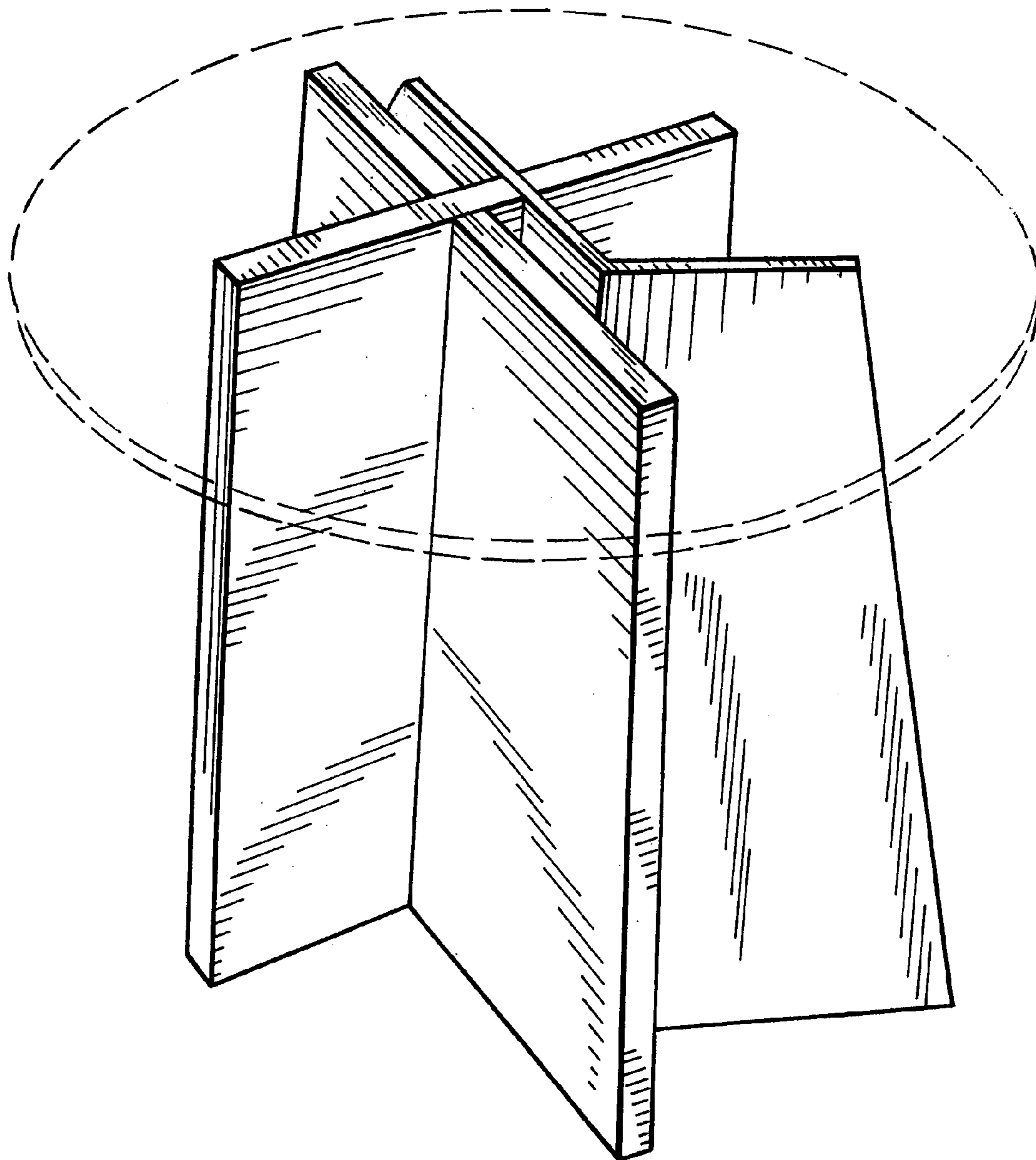


FIG. 1

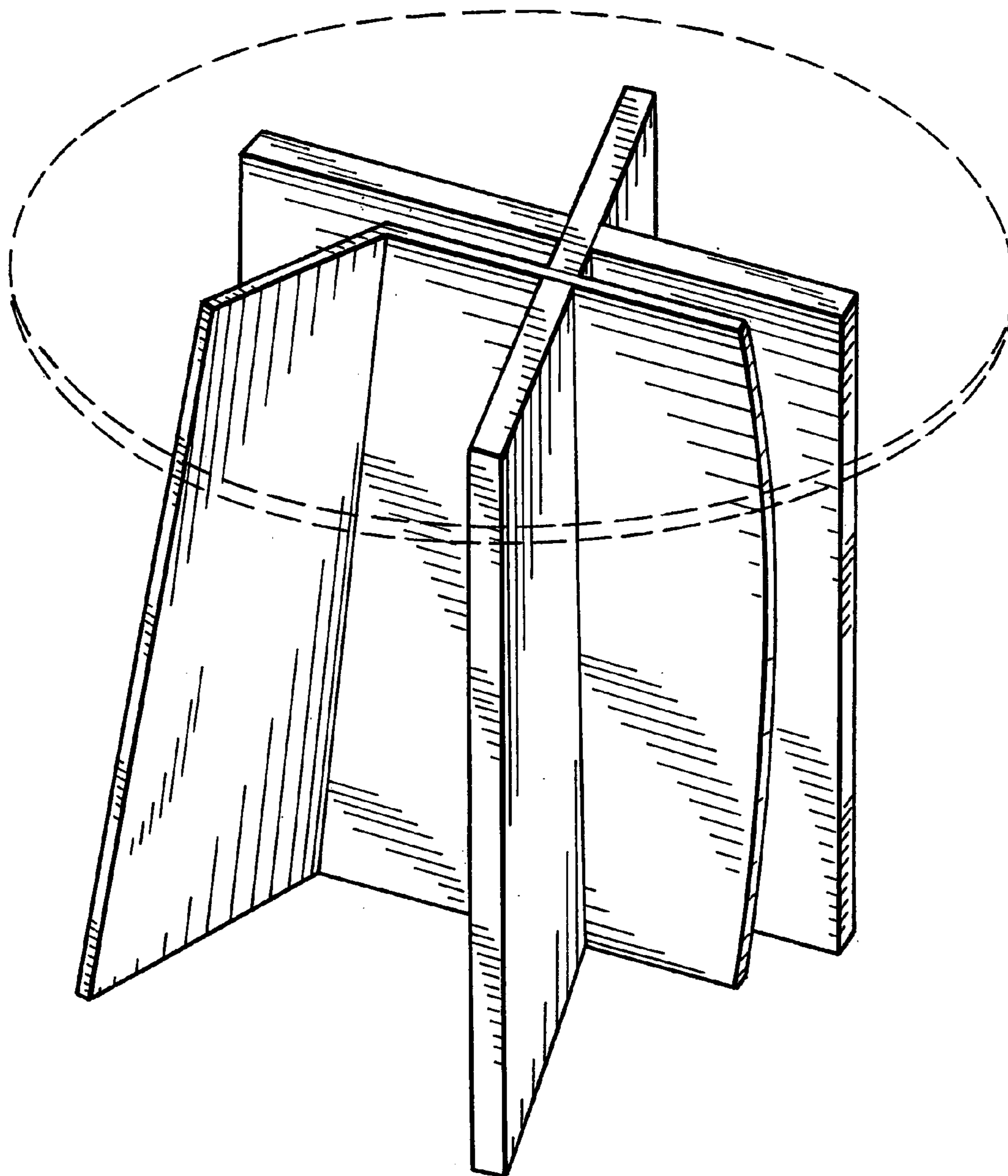


FIG. 2

FIG. 3

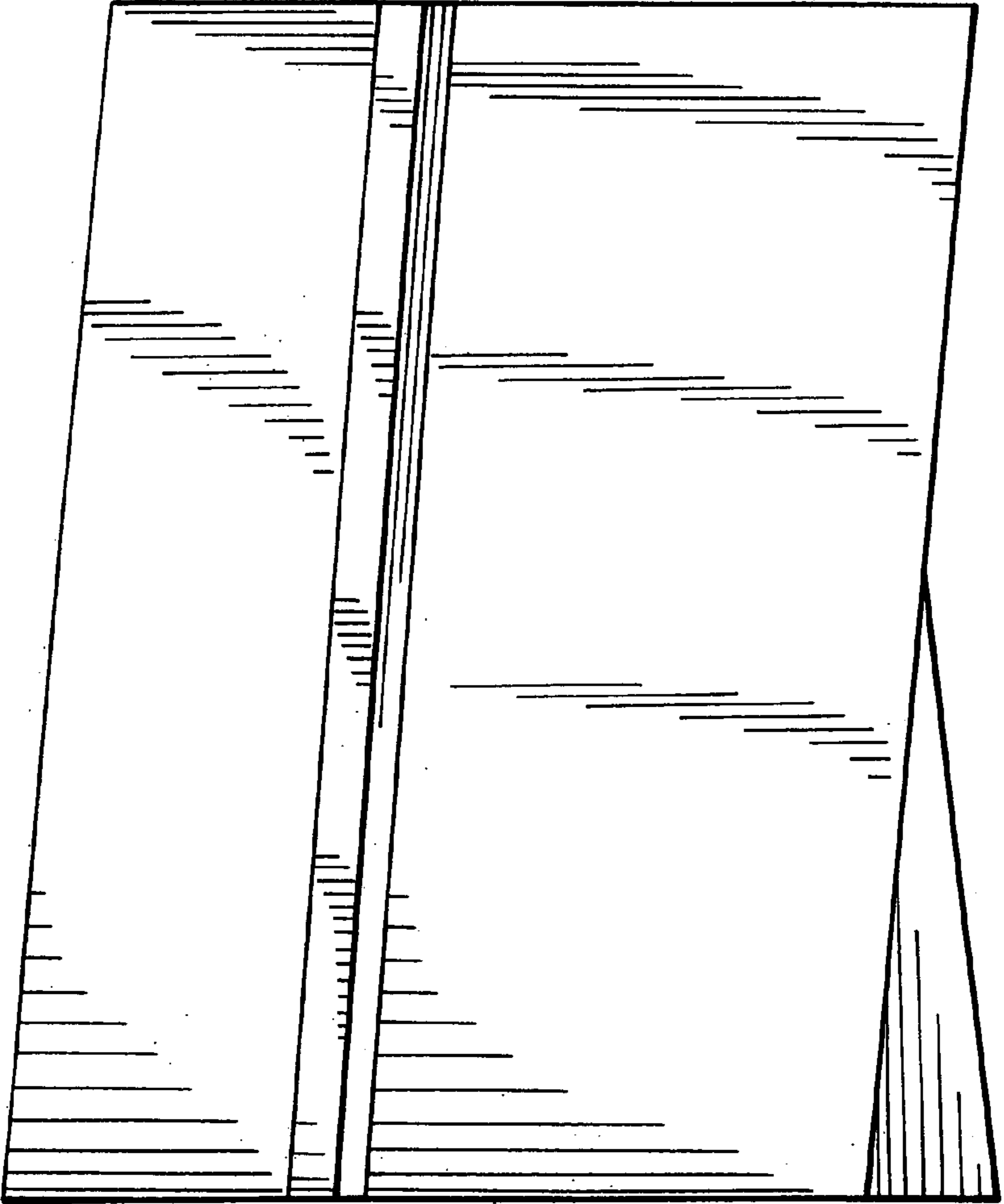
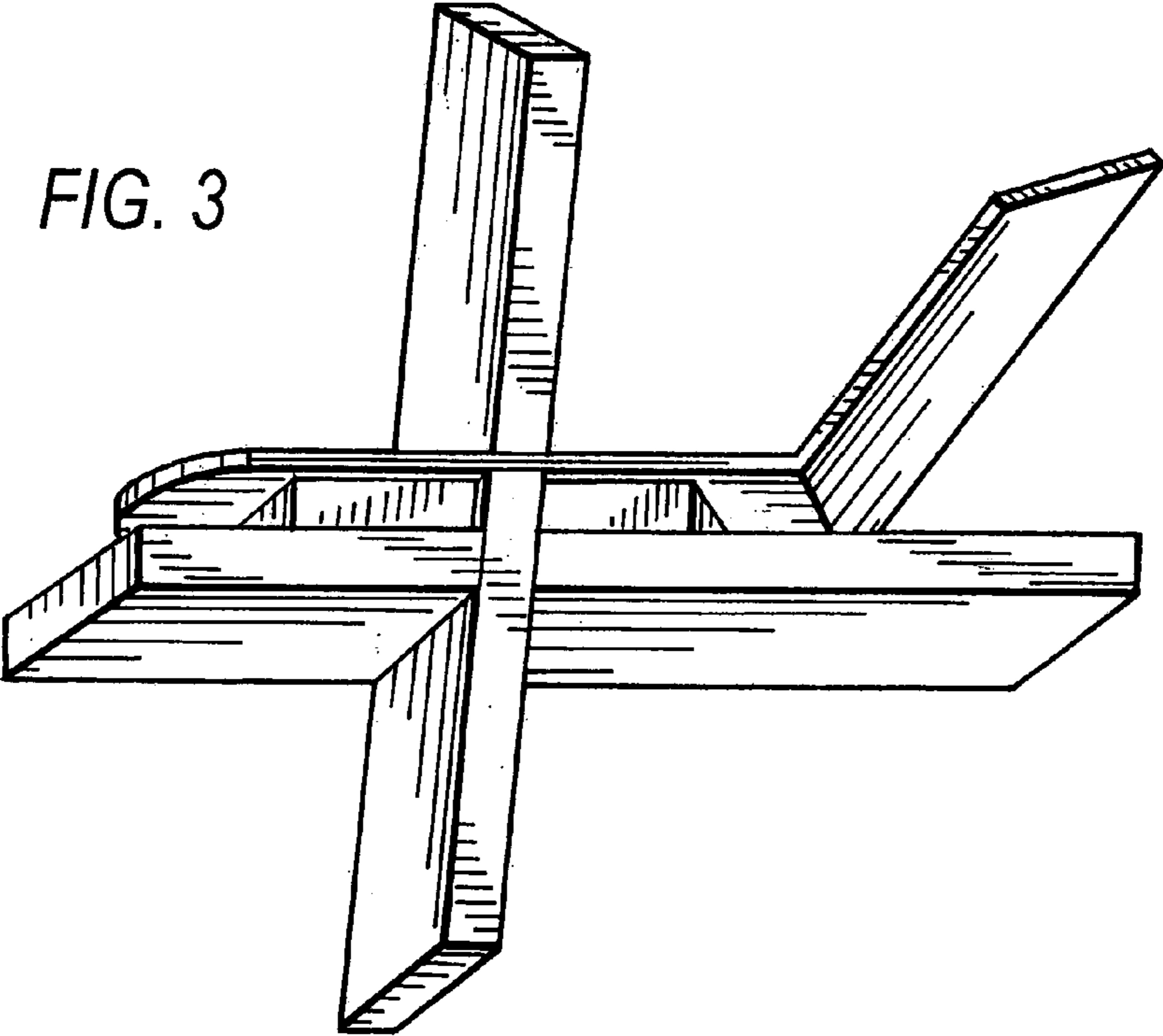


FIG. 4

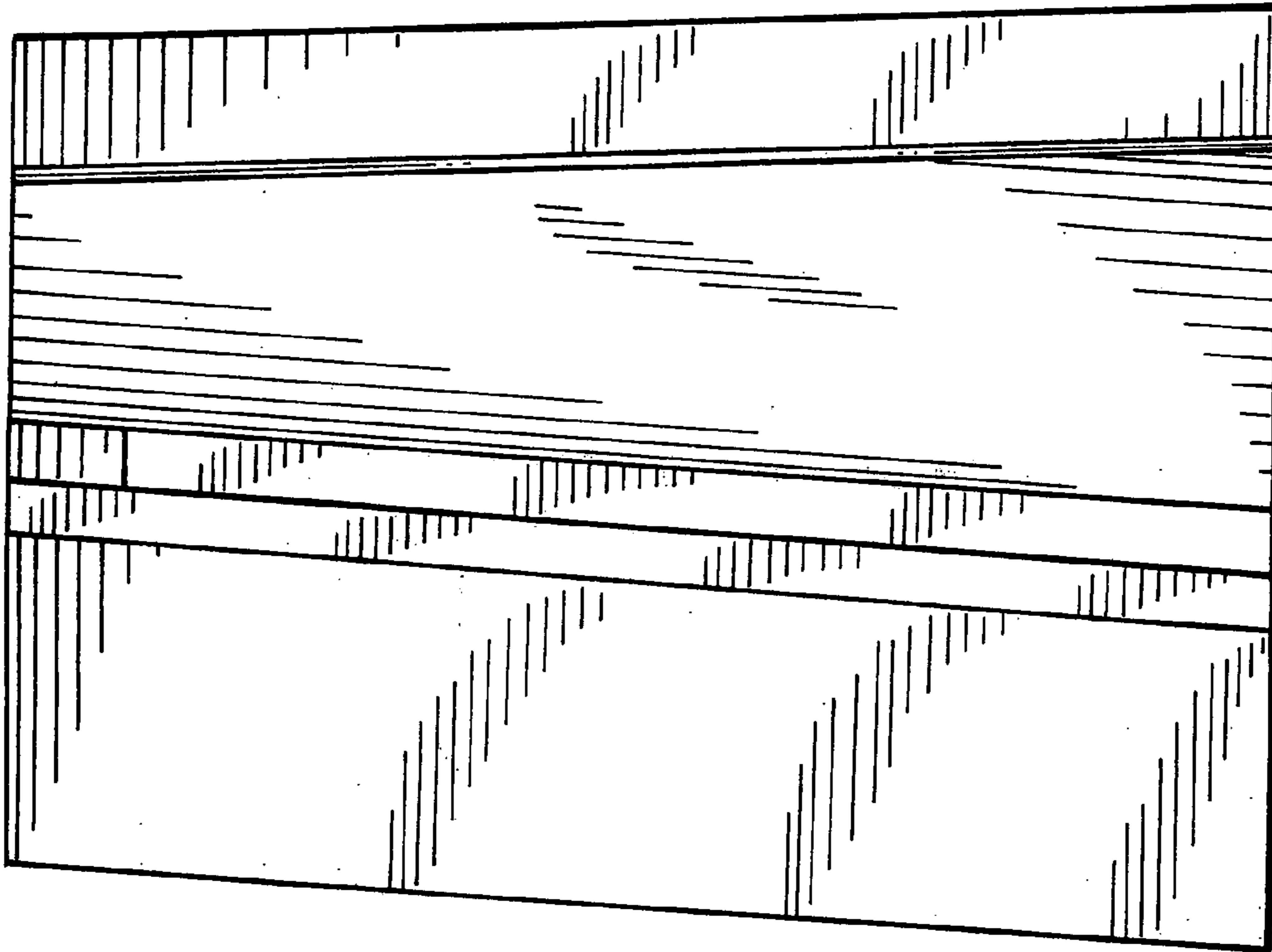


FIG. 6

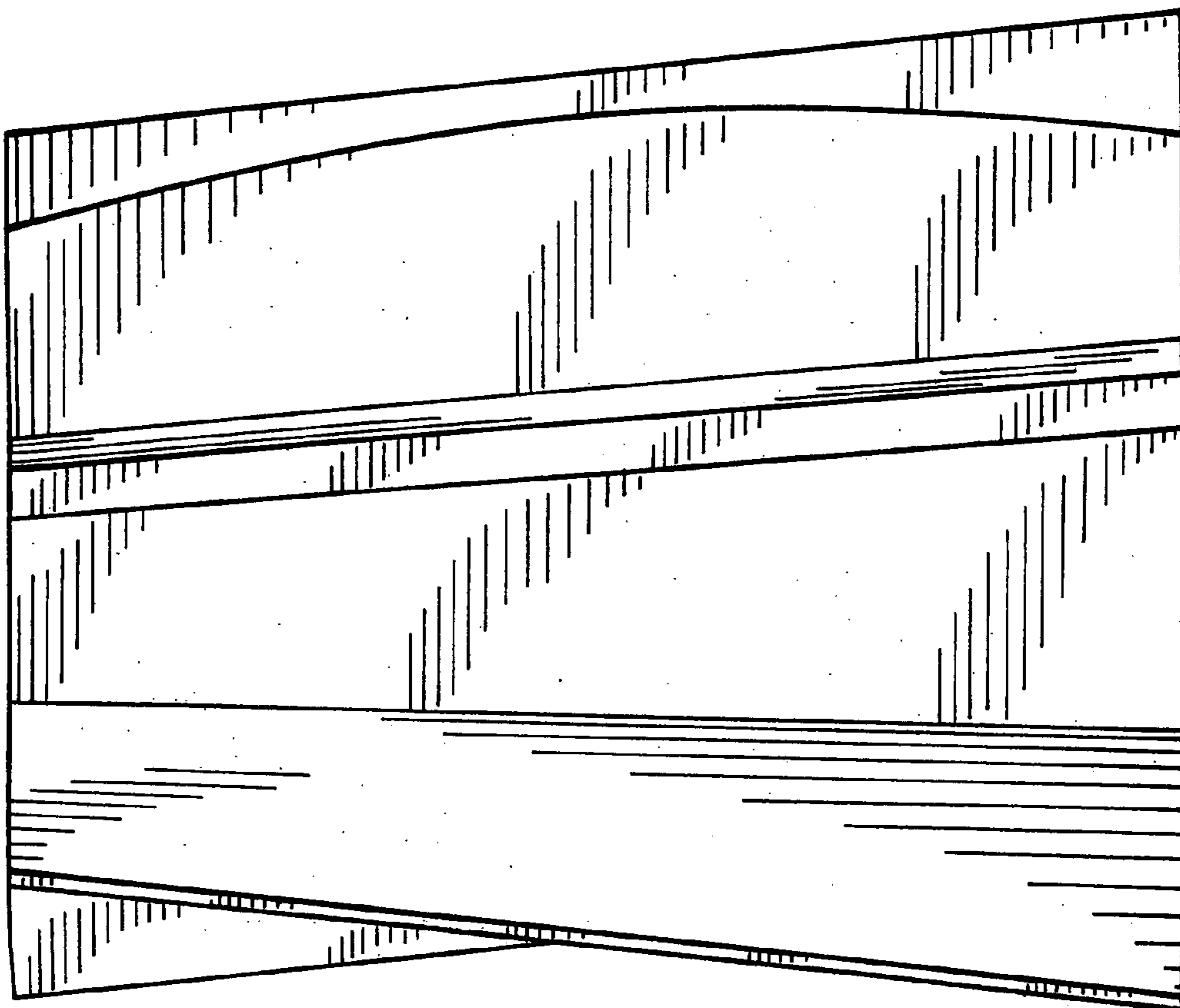


FIG. 5

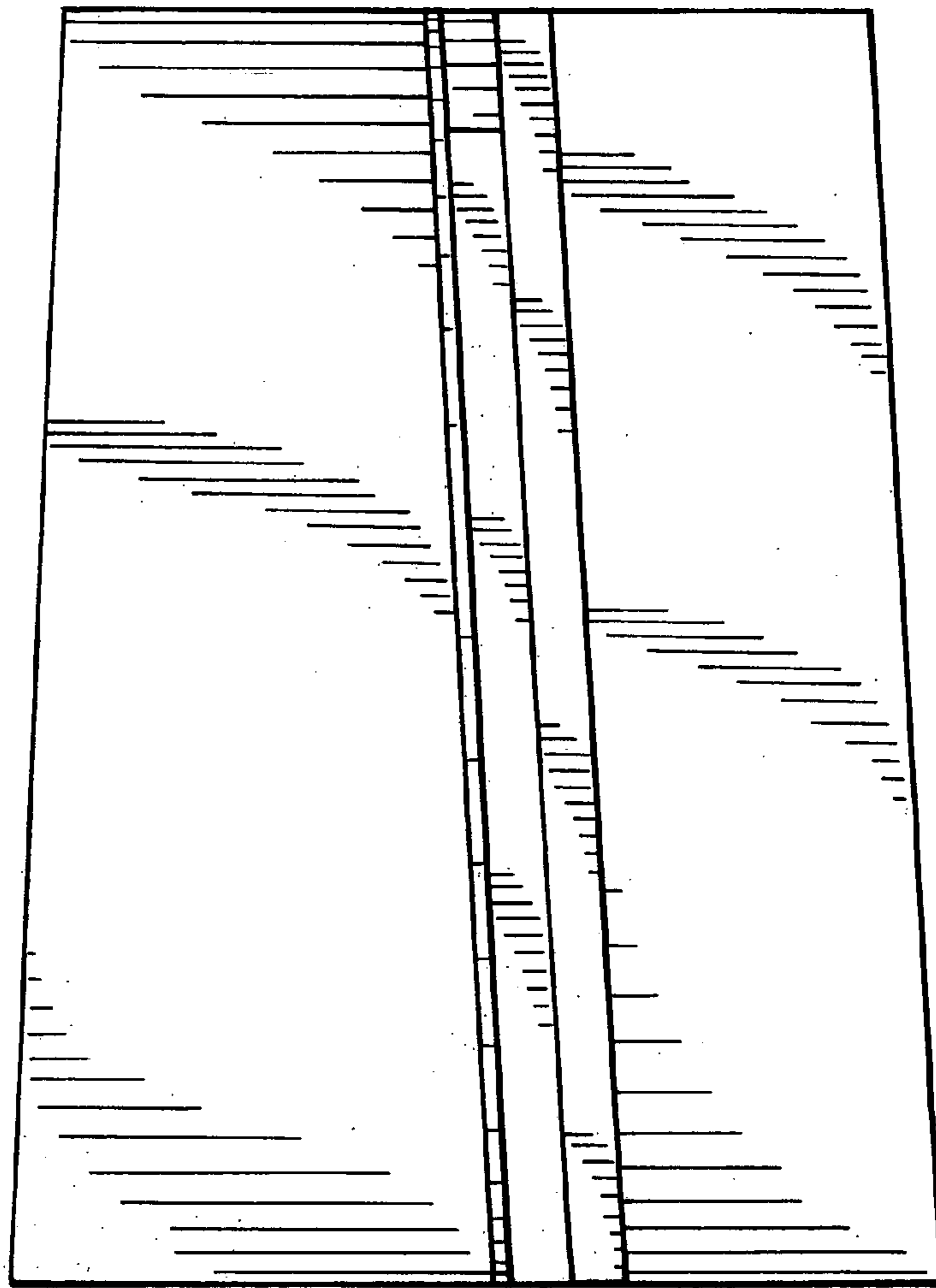


FIG. 7

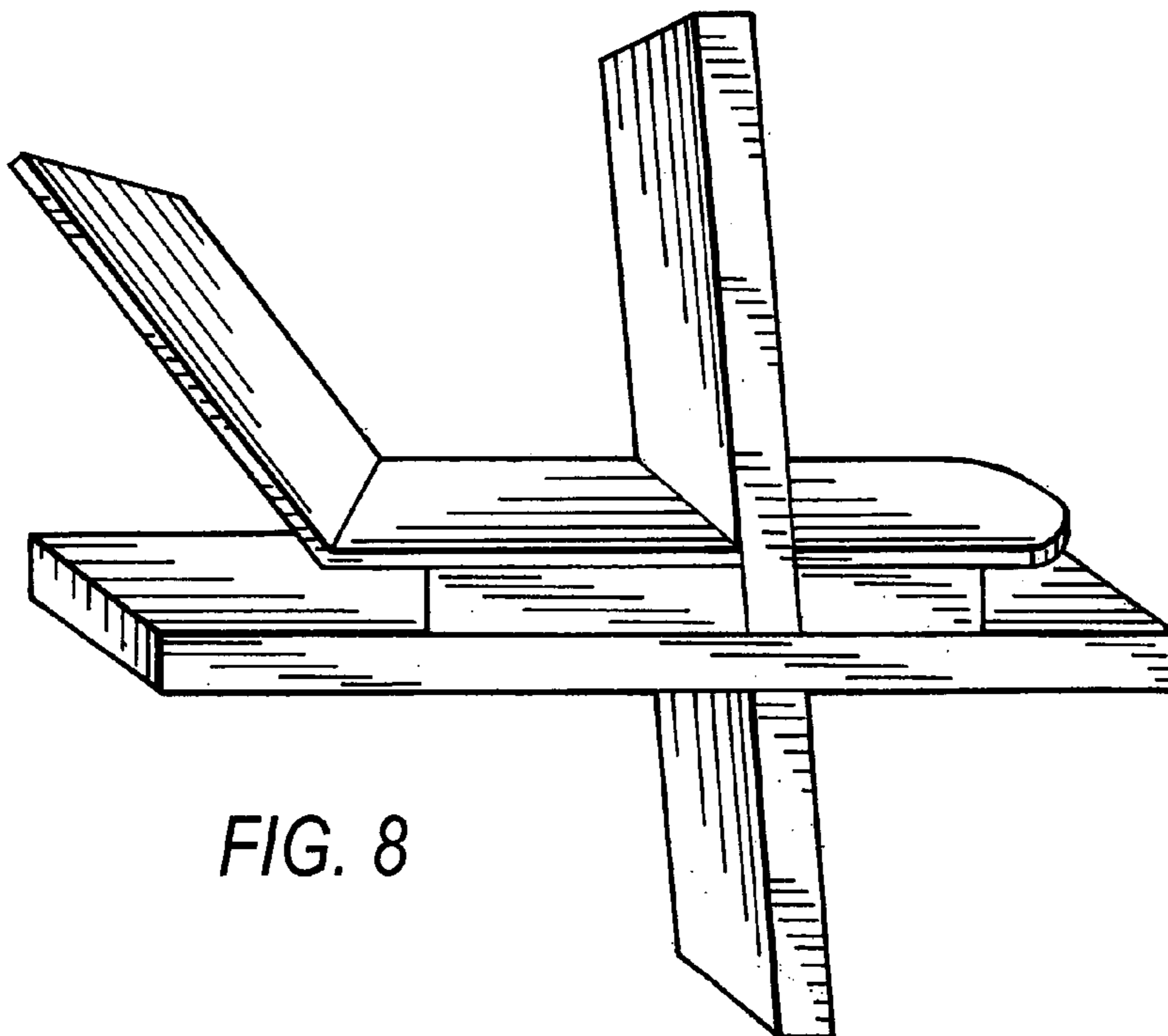


FIG. 8

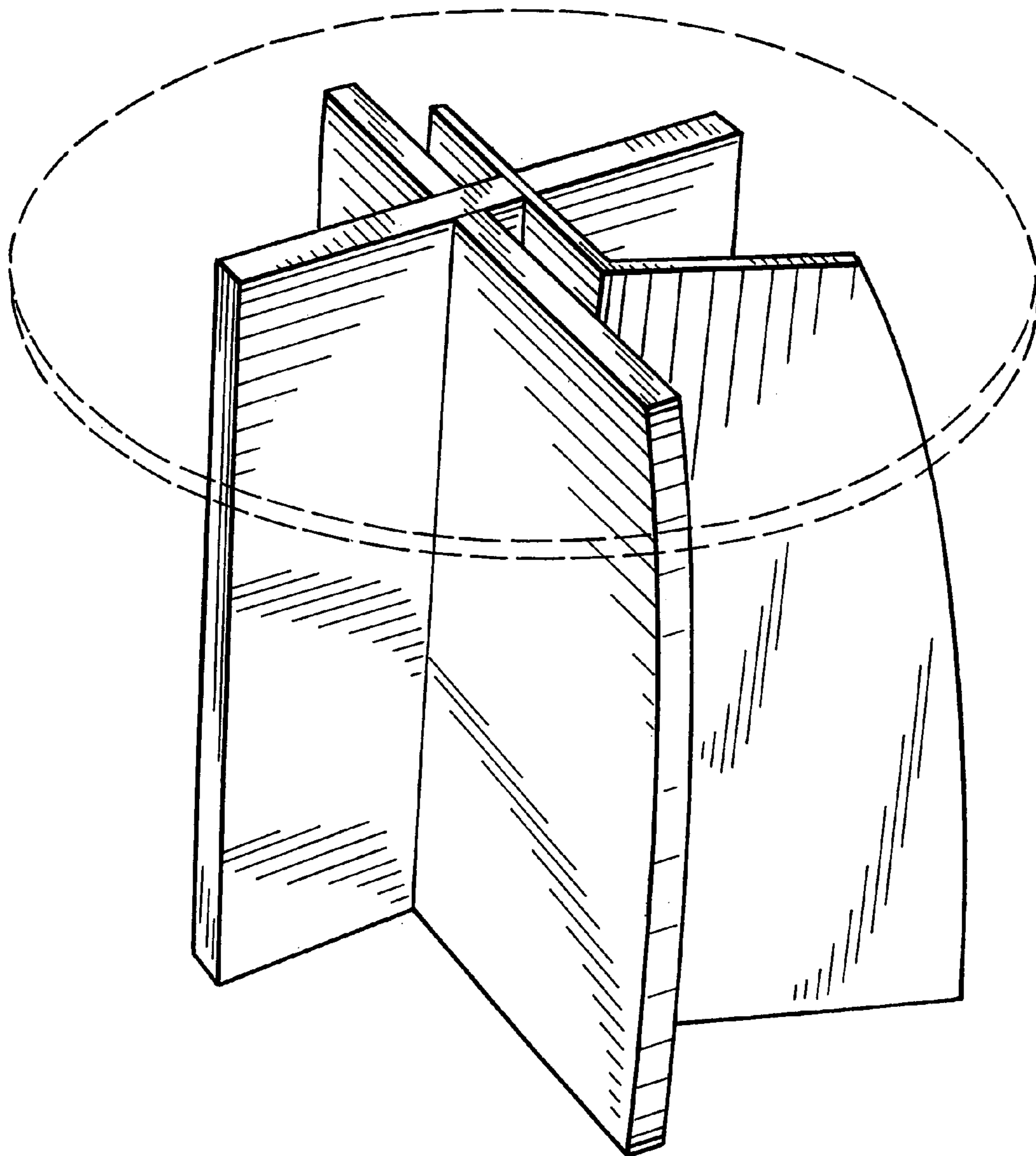


FIG. 9

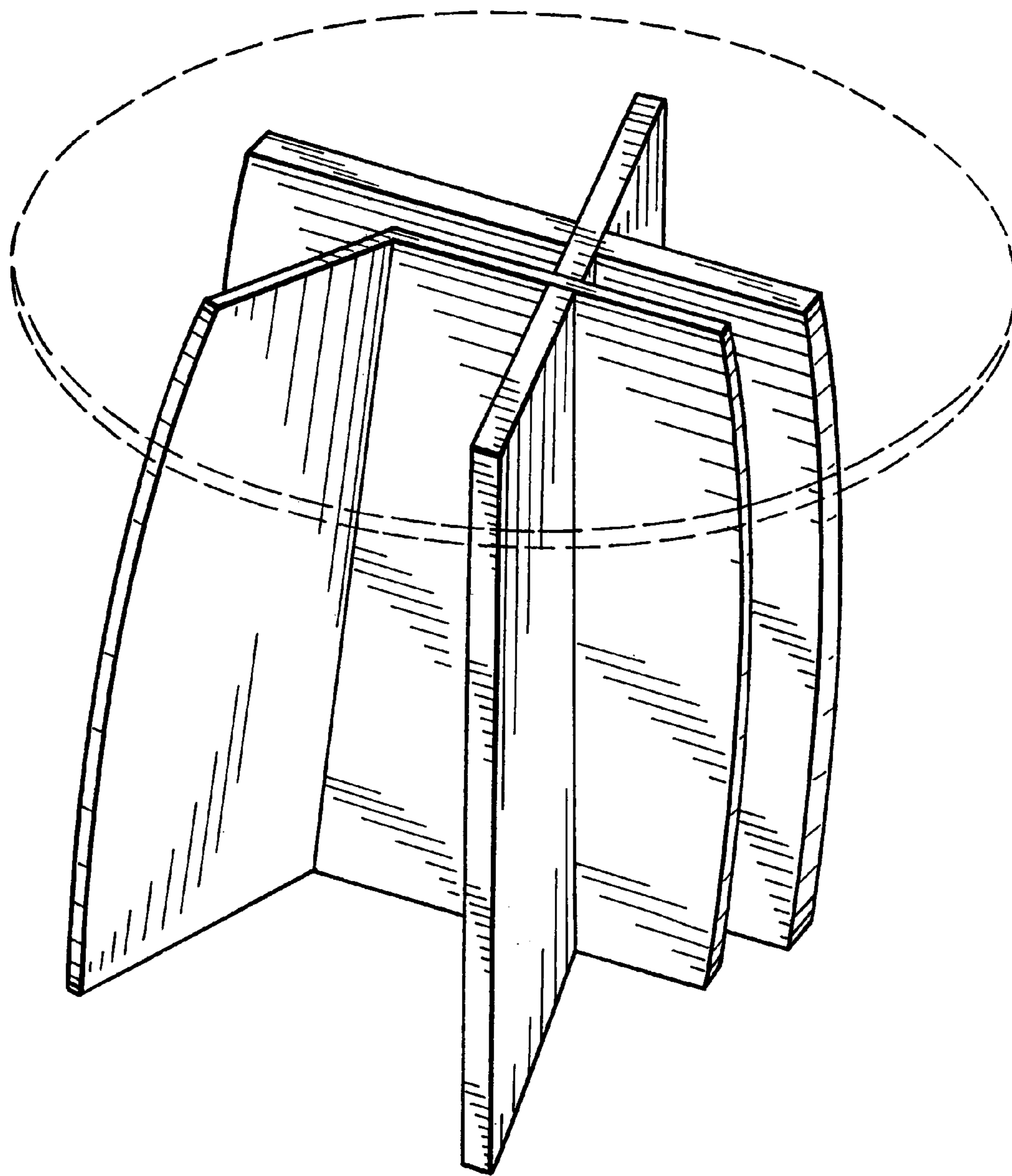


FIG. 10

FIG. 11

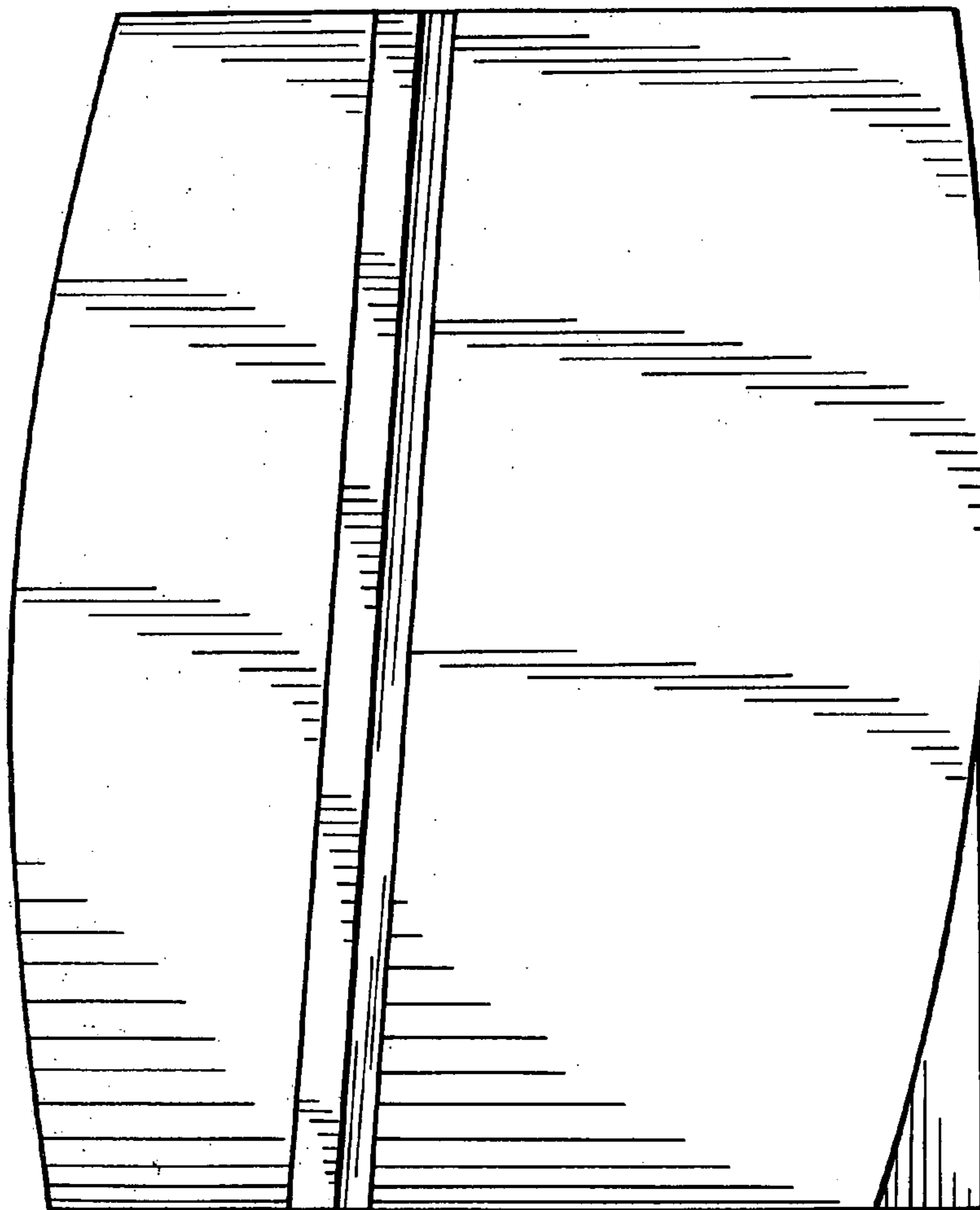
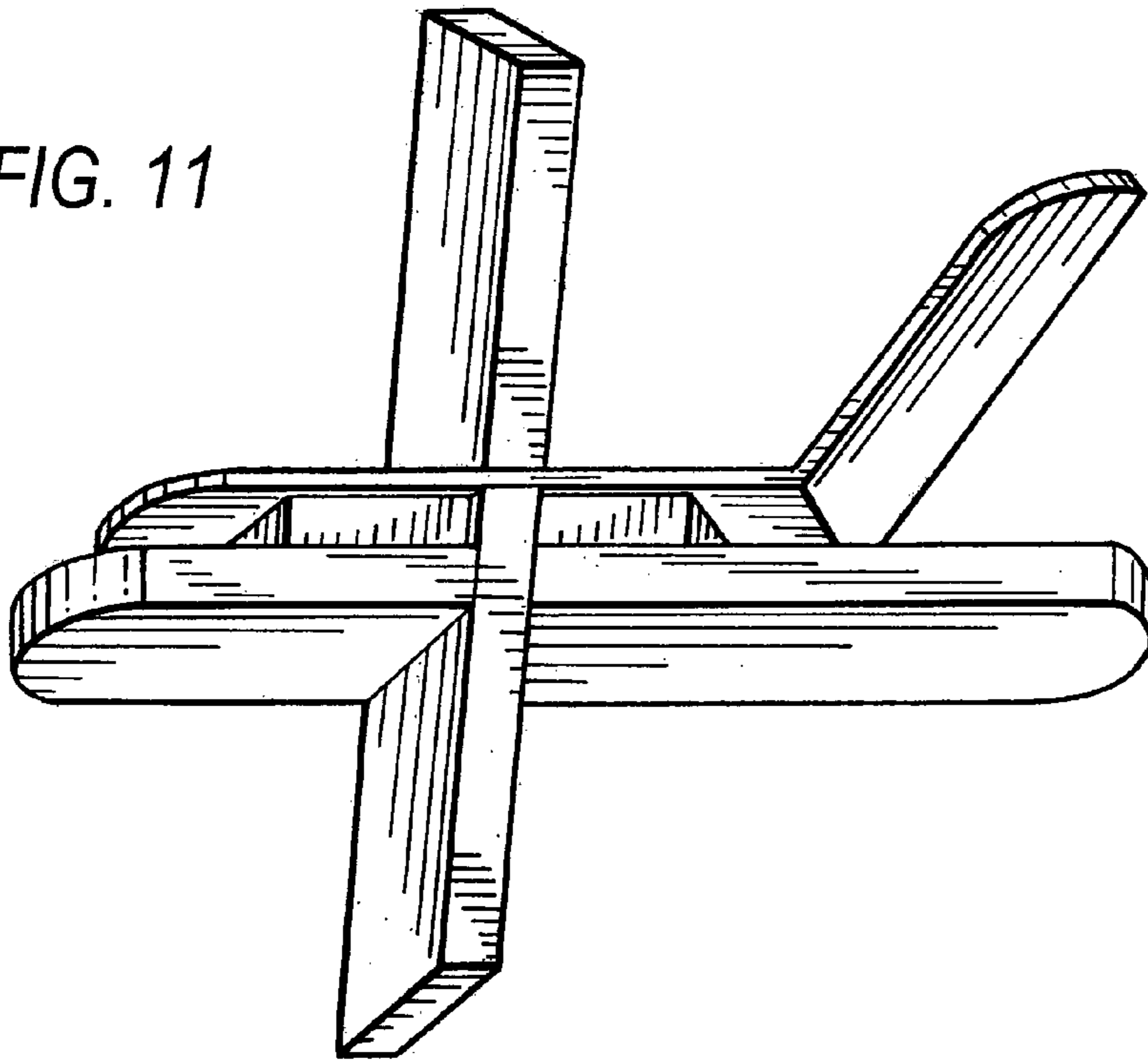


FIG. 12

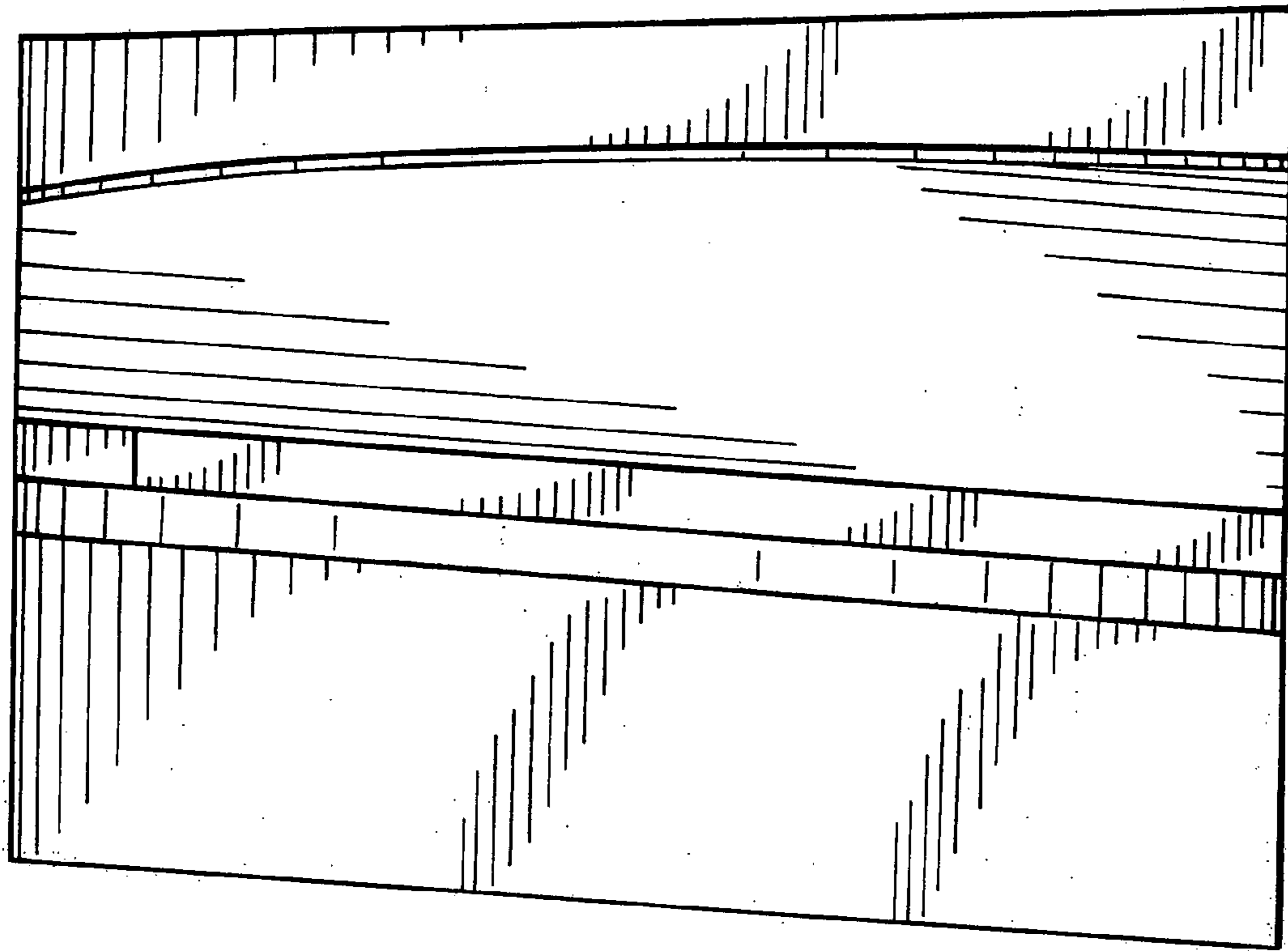


FIG. 14

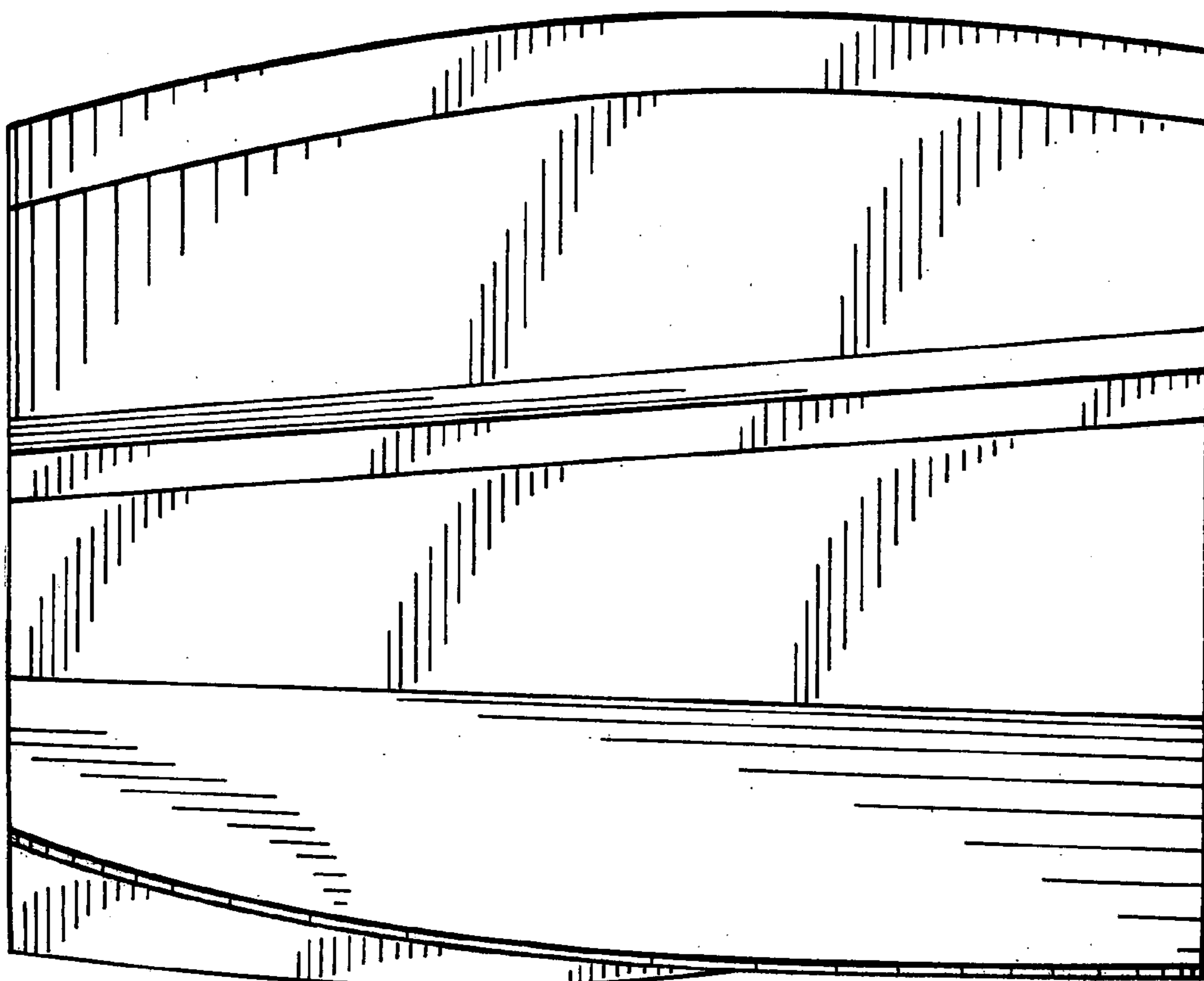


FIG. 13

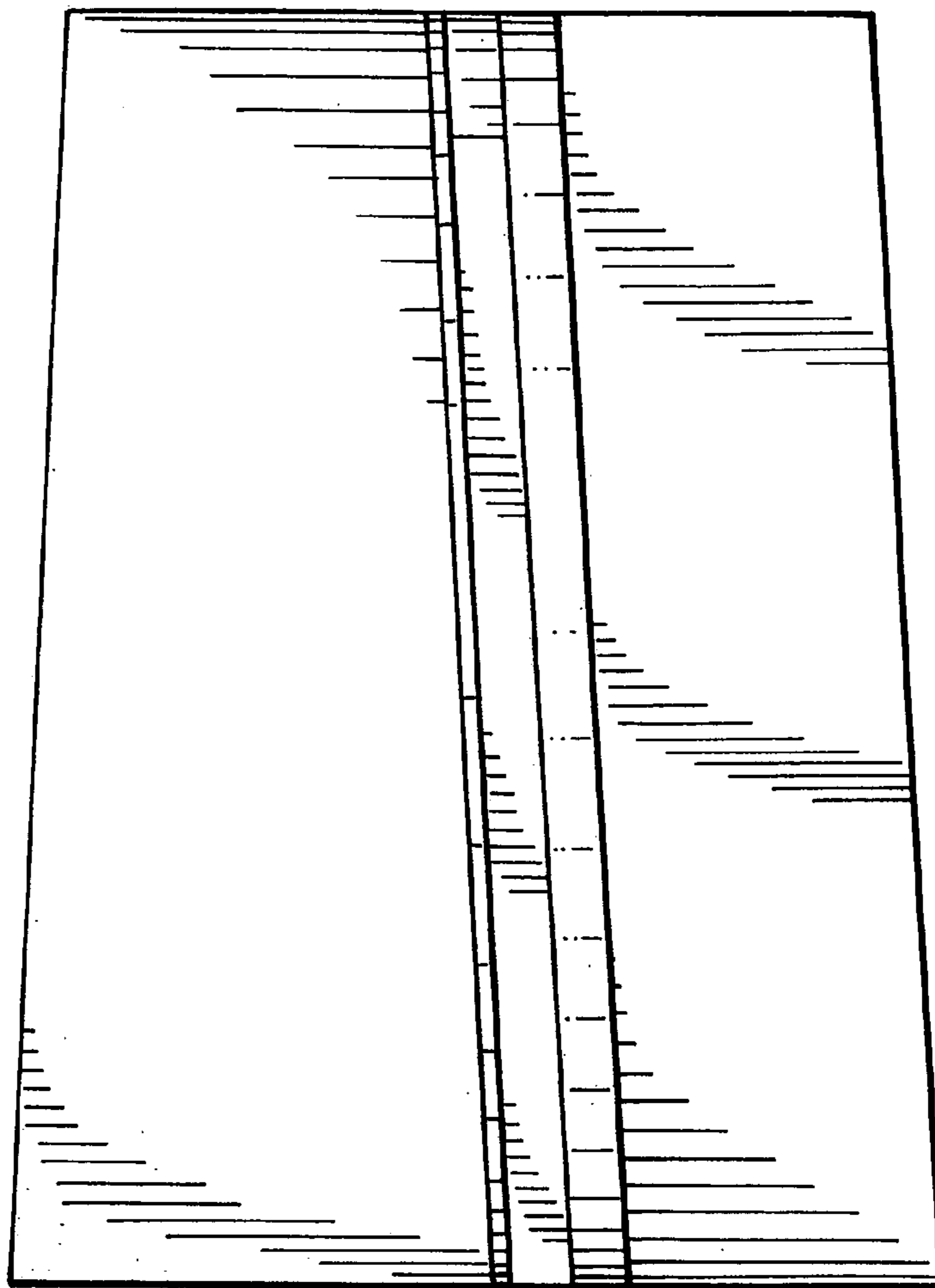


FIG. 15

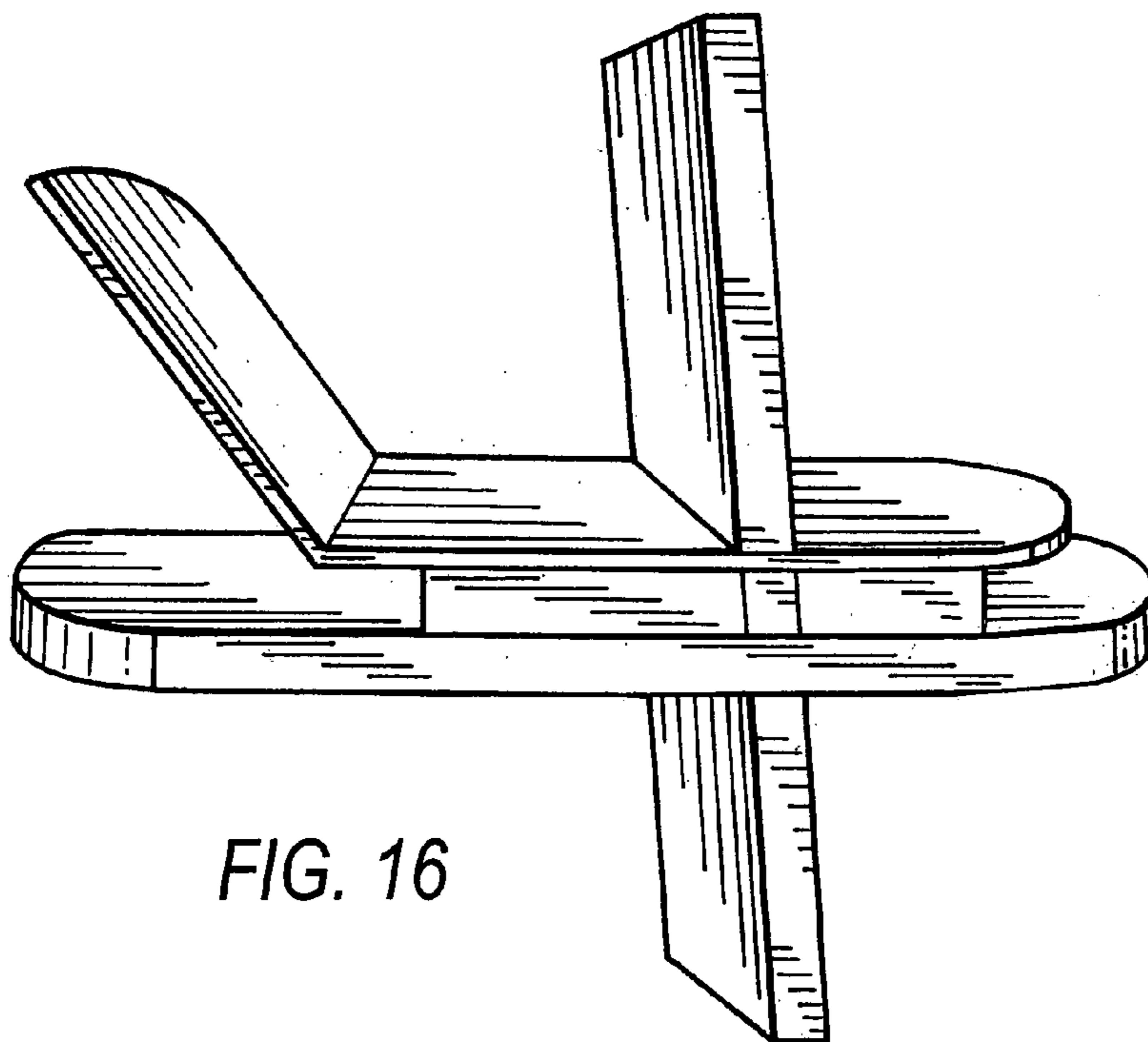


FIG. 16