



US00D553881S

(12) **United States Design Patent**
Robinson

(10) **Patent No.:** **US D553,881 S**

(45) **Date of Patent:** **** Oct. 30, 2007**

(54) **SPORTS CAP DISPLAY CASE**

6,422,400 B1 7/2002 Miller
D498,614 S 11/2004 Kalaouze

(76) Inventor: **Randolph D Robinson**, 1413 Southern
Ave., No. 101, Oxen Hill, MD (US)
20745

FOREIGN PATENT DOCUMENTS

FR 2647653 12/1990

(**) Term: **14 Years**

* cited by examiner

(21) Appl. No.: **29/272,147**

Primary Examiner—Mimosa De
(74) *Attorney, Agent, or Firm*—Stephen R. Greiner

(22) Filed: **Feb. 2, 2007**

(57) **CLAIM**

(51) **LOC (8) Cl.** **06-04**

(52) **U.S. Cl.** **D6/471**

(58) **Field of Classification Search** D6/396,
D6/397, 432, 436-439, 441, 449, 470-476;
211/30; 312/114, 117, 130, 244

The ornamental design for a sports cap display case, as shown and described.

See application file for complete search history.

DESCRIPTION

(56) **References Cited**

U.S. PATENT DOCUMENTS

D7,494 S *	6/1874	Holthaus	D6/472
683,258 A *	9/1901	Du Boise	312/130
720,411 A *	2/1903	Du Boise	312/130
777,895 A	12/1904	Geraci		
874,301 A	12/1907	Cedarburg		
885,457 A *	4/1908	Du Boise et al.	312/130
1,821,592 A	9/1931	Toler		
D148,767 S *	2/1948	Yantis	D6/471
5,437,502 A *	8/1995	Warnick et al.	312/244
D365,229 S *	12/1995	Story et al.	D6/471
5,813,546 A	9/1998	Wilson et al.		
D426,723 S	6/2000	Waugh		

FIG. 1 is a perspective view of a sports cap display case showing my new design;

FIG. 2 is a slightly reduced front elevational view thereof;

FIG. 3 is a slightly reduced left side elevational view with the right side being a mirror image thereof;

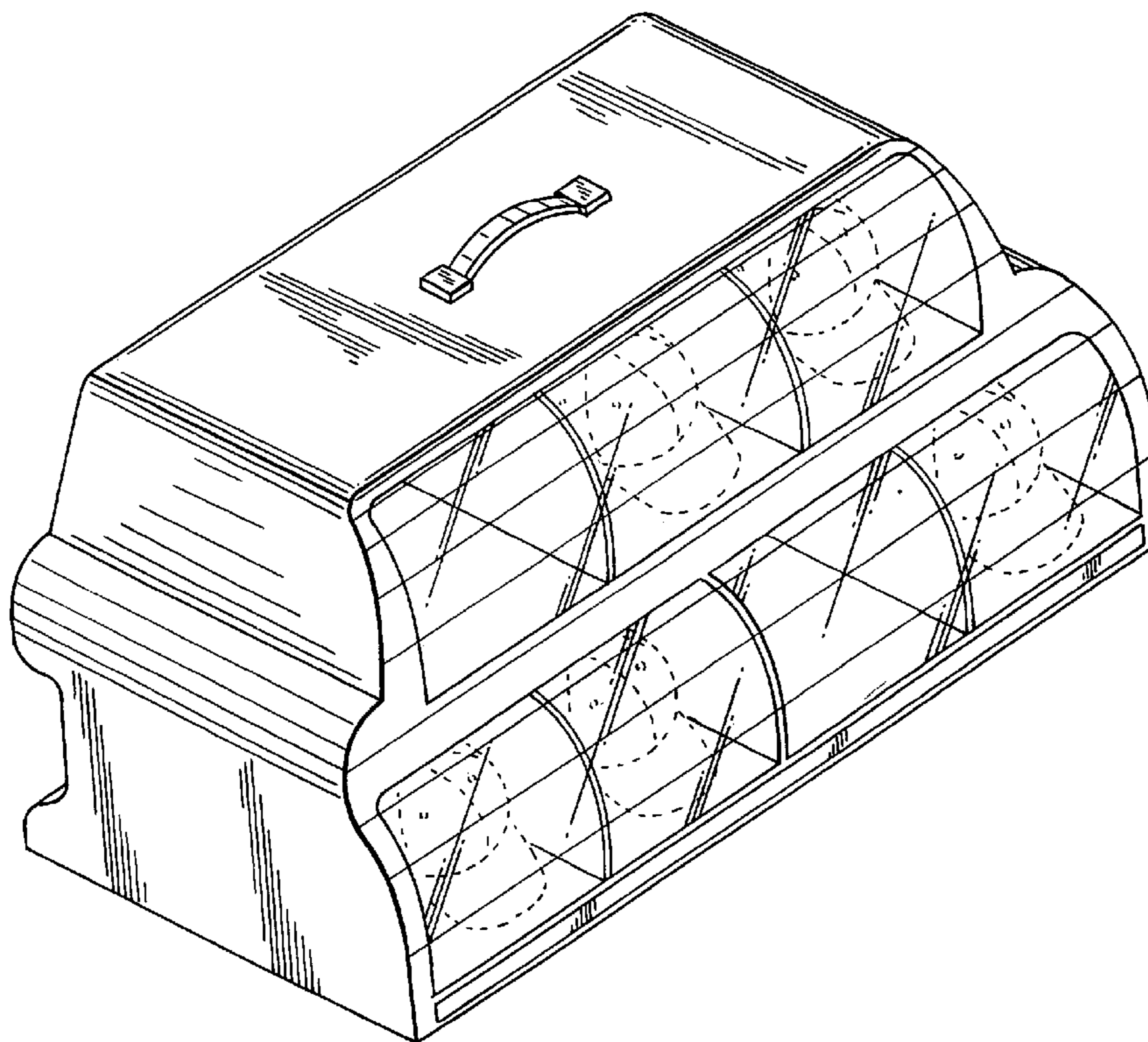
FIG. 4 is a slightly reduced top view thereof;

FIG. 5 is a slightly reduced rear elevational view thereof; and,

FIG. 6 is a slightly reduced bottom view thereof.

The broken lines showing five sports caps in FIG. 1 are for demonstrative purposes only and form no part of the claimed design.

1 Claim, 3 Drawing Sheets



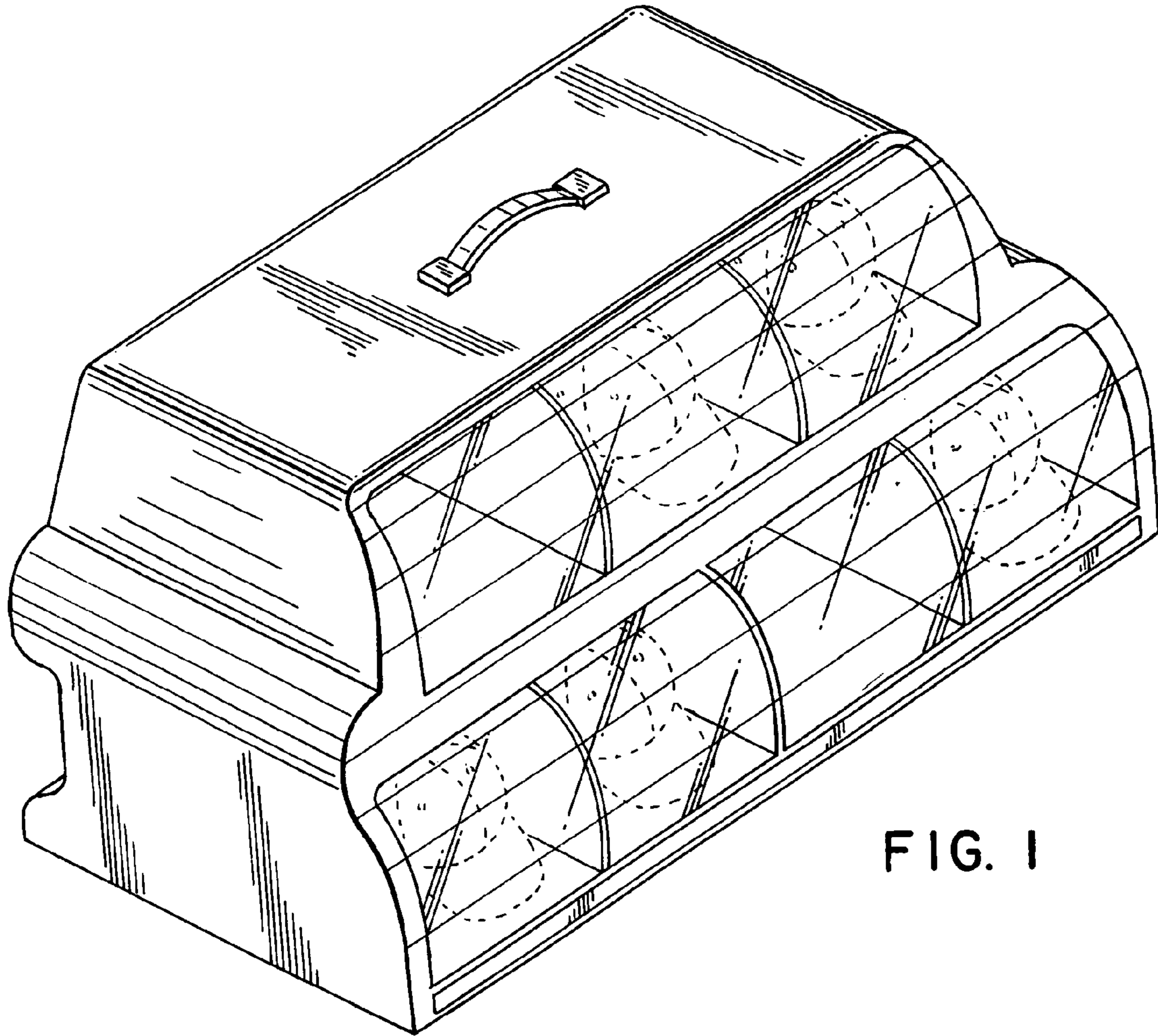


FIG. 1

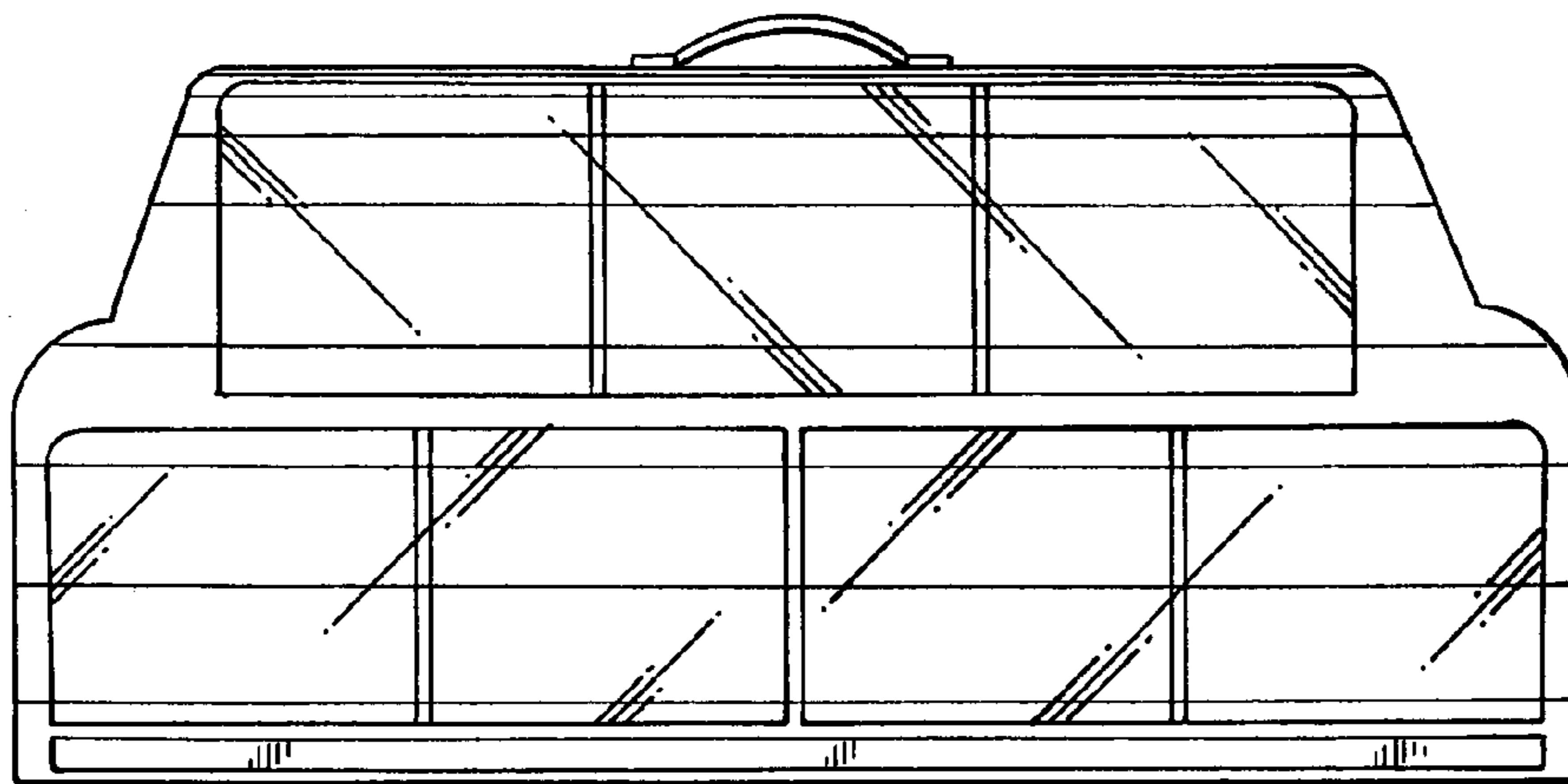


FIG. 2

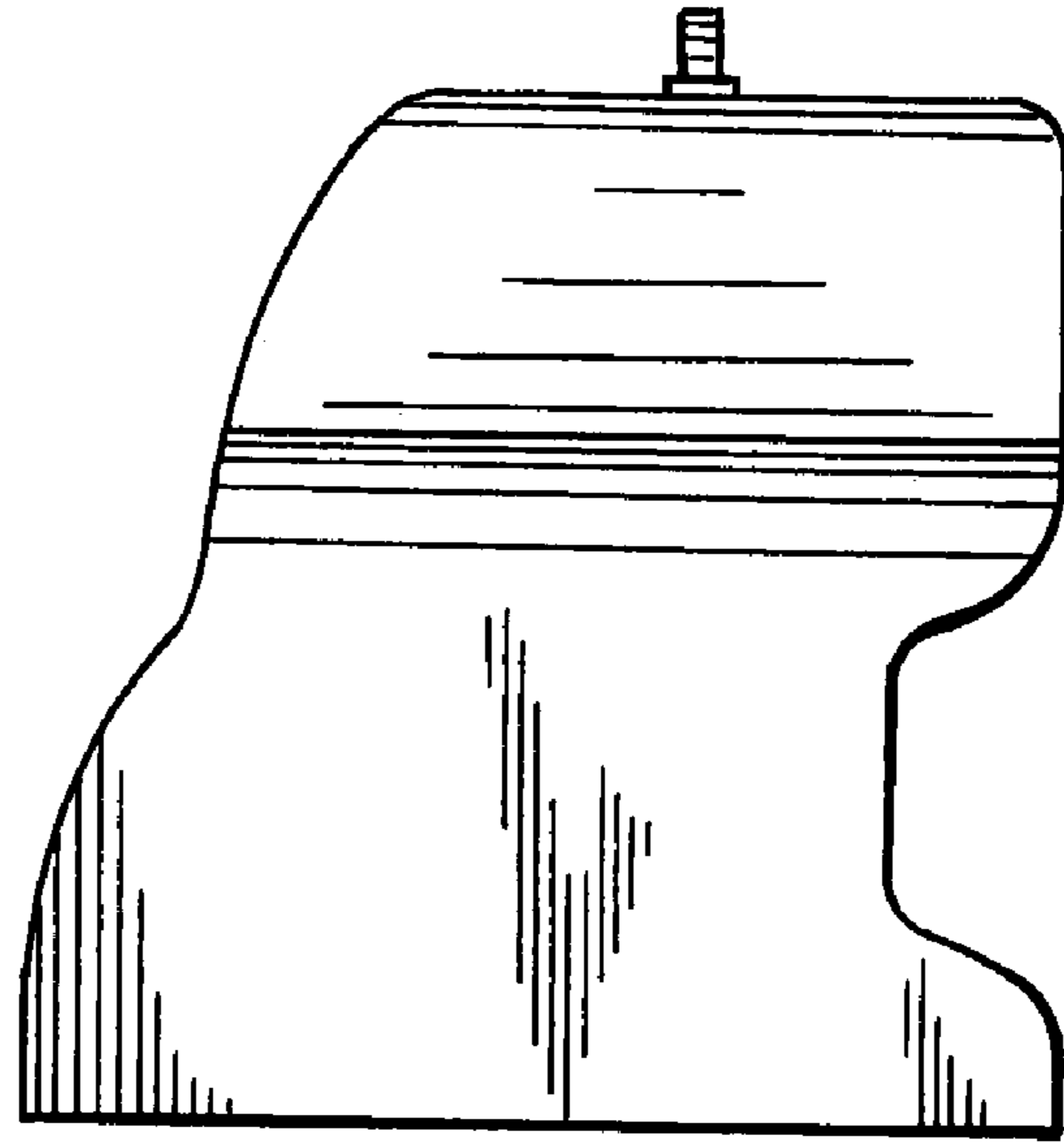


FIG. 3

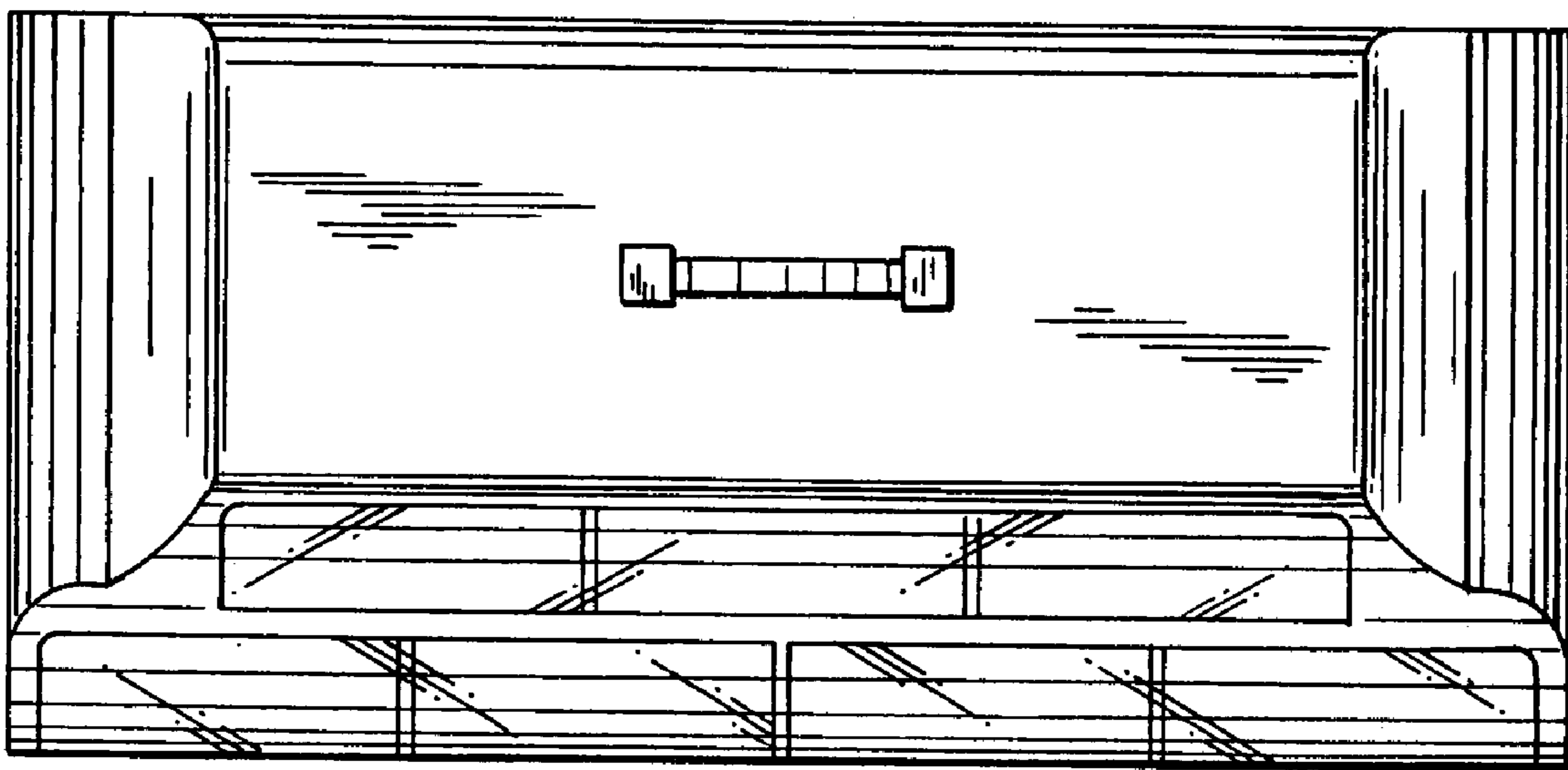


FIG. 4

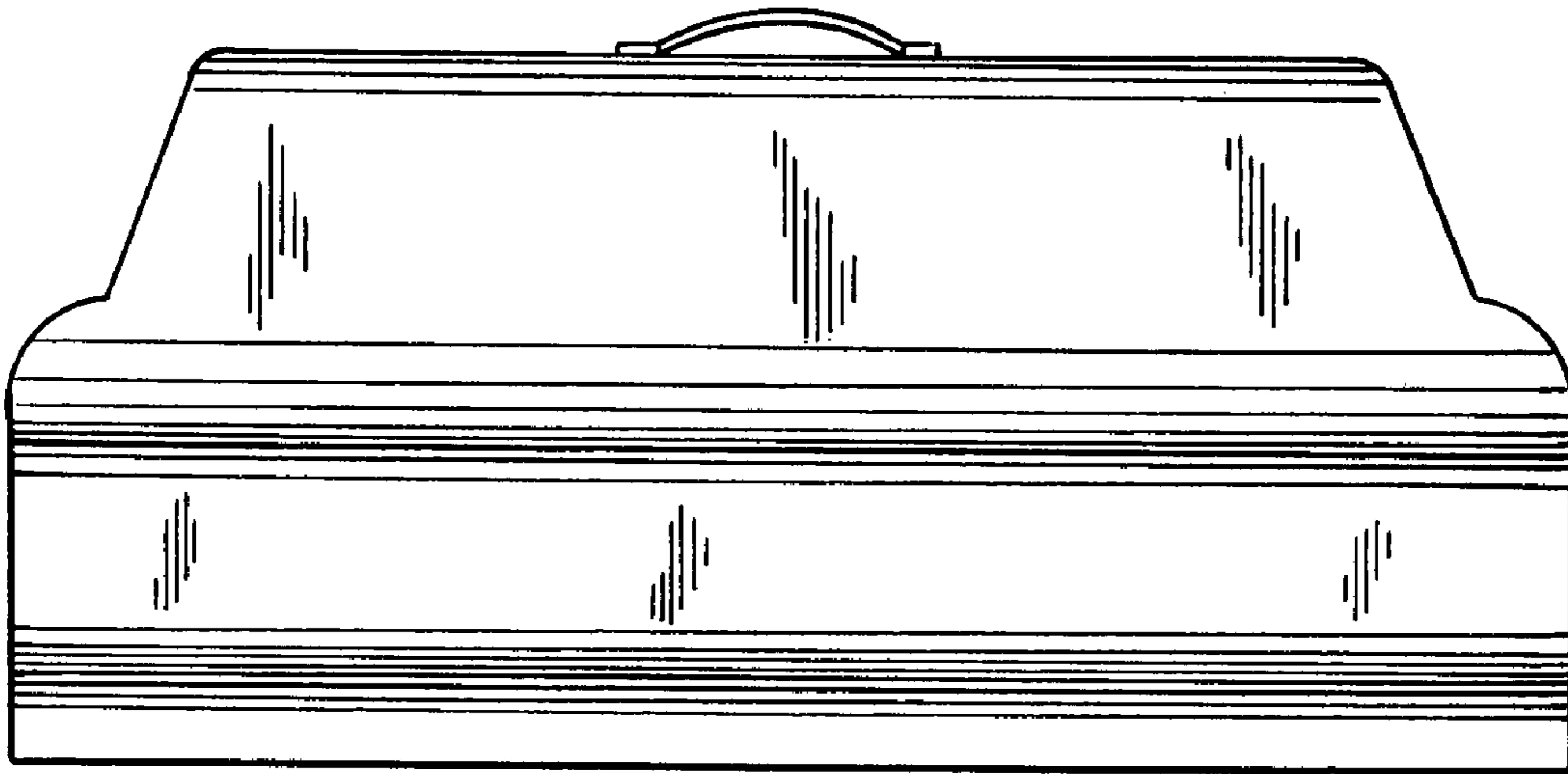


FIG. 5

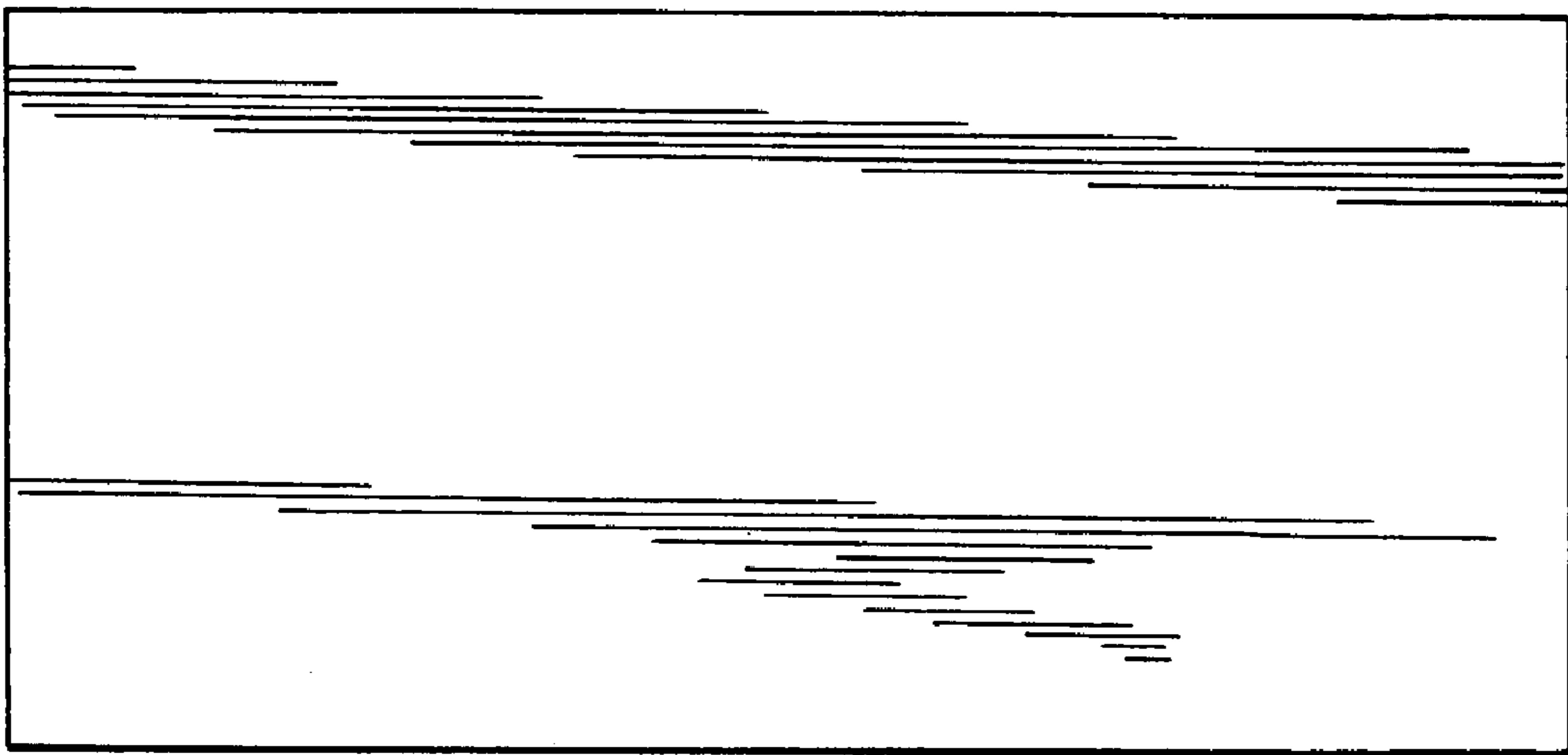


FIG. 6