

US00D553880S

(12) **United States Design Patent**
Lewis

(10) **Patent No.:** **US D553,880 S**

(45) **Date of Patent:** **** Oct. 30, 2007**

(54) **NIGHTSTAND**

D436,754 S * 1/2001 Bellini D46/445
D504,251 S * 4/2005 Kreiss D6/446

(76) **Inventor:** **Sally Sirkin Lewis**, 715 Canon Dr.,
Beverly Hills, CA (US) 90210

* cited by examiner

(**) **Term:** **14 Years**

Primary Examiner—Mimosa De

(21) **Appl. No.:** **29/288,081**

(57) **CLAIM**

(22) **Filed:** **May 30, 2007**

The ornamental design for nightstand, as shown and described.

(51) **LOC (8) Cl.** **06-04**

(52) **U.S. Cl.** **D6/446**

(58) **Field of Classification Search** D6/432-448,
D6/425, 429, 198, 199; 312/138.1, 204,
312/257.1, 258, 278, 279

See application file for complete search history.

DESCRIPTION

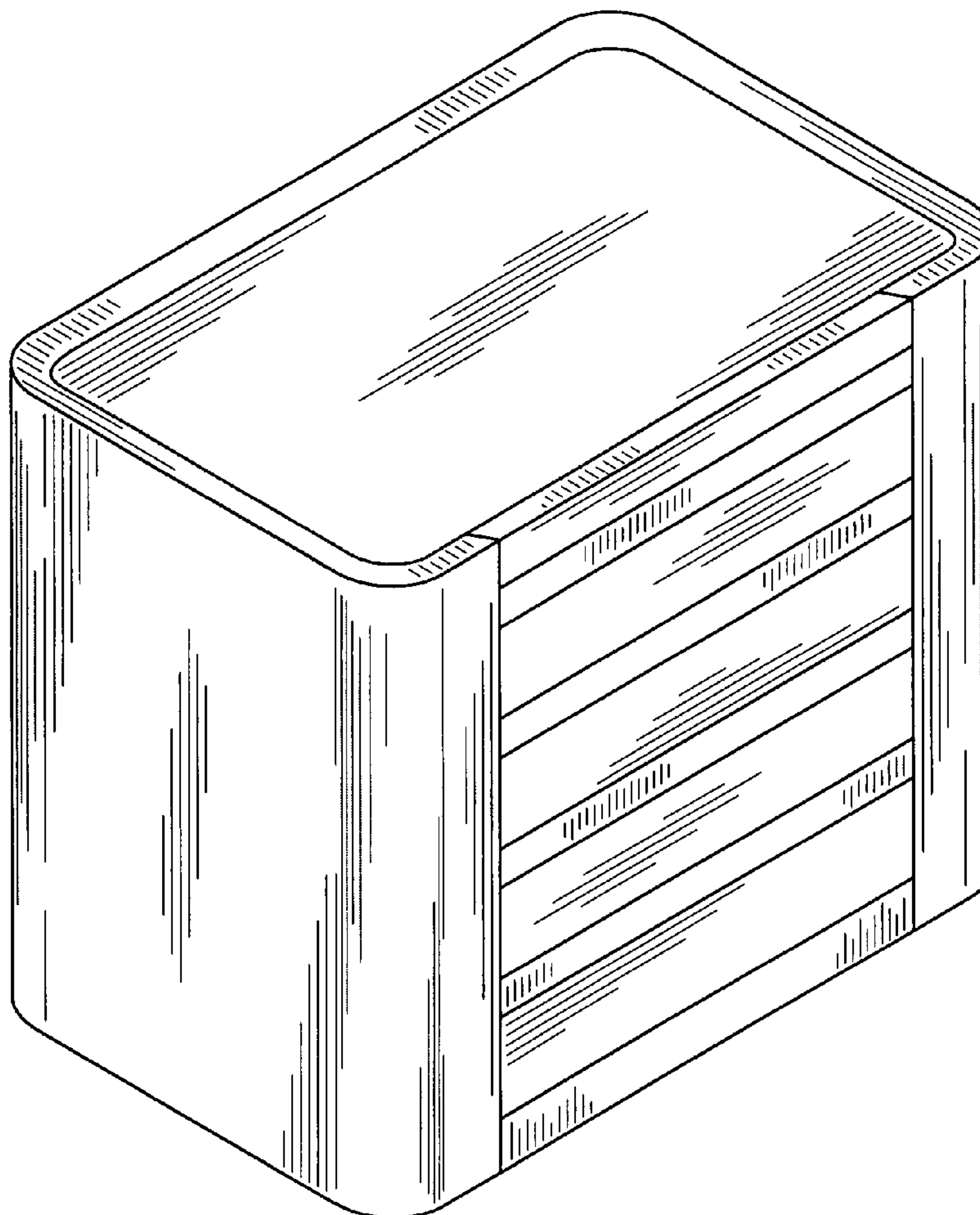
(56) **References Cited**

FIG. 1 is a perspective view of the nightstand of my design;
FIG. 2 is a front view of the nightstand;
FIG. 3 is a back view of the nightstand;
FIG. 4 is a right side view of the nightstand;
FIG. 5 is a left side view of the nightstand;
FIG. 6 is a top view of the nightstand; and,
FIG. 7 is a bottom view of the nightstand.

U.S. PATENT DOCUMENTS

D388,634 S * 1/1998 Mulligan et al. D6/436
D391,786 S * 3/1998 Zaidman et al. D6/445
D396,578 S * 8/1998 Zaidman D6/446

1 Claim, 4 Drawing Sheets



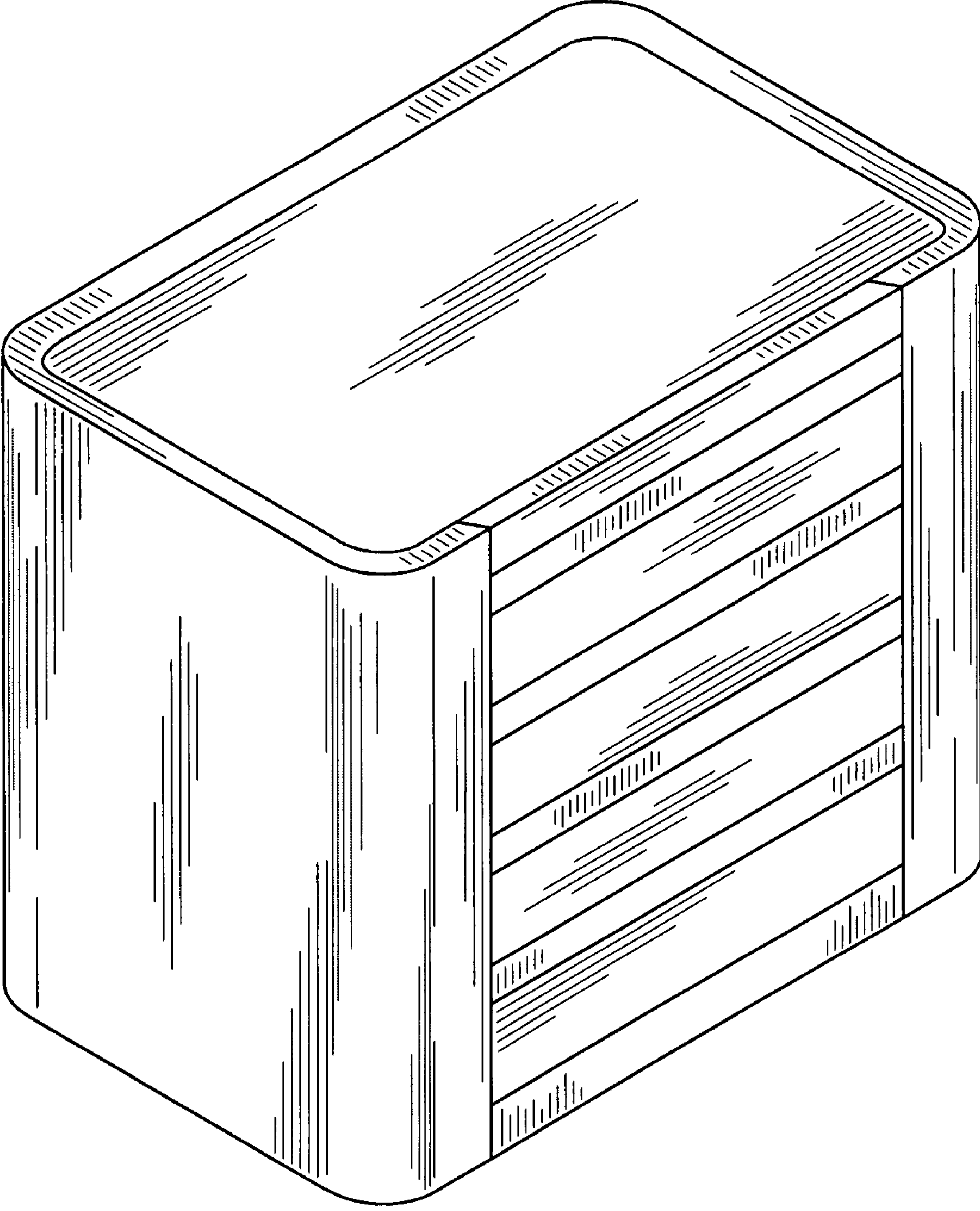


FIG. 1

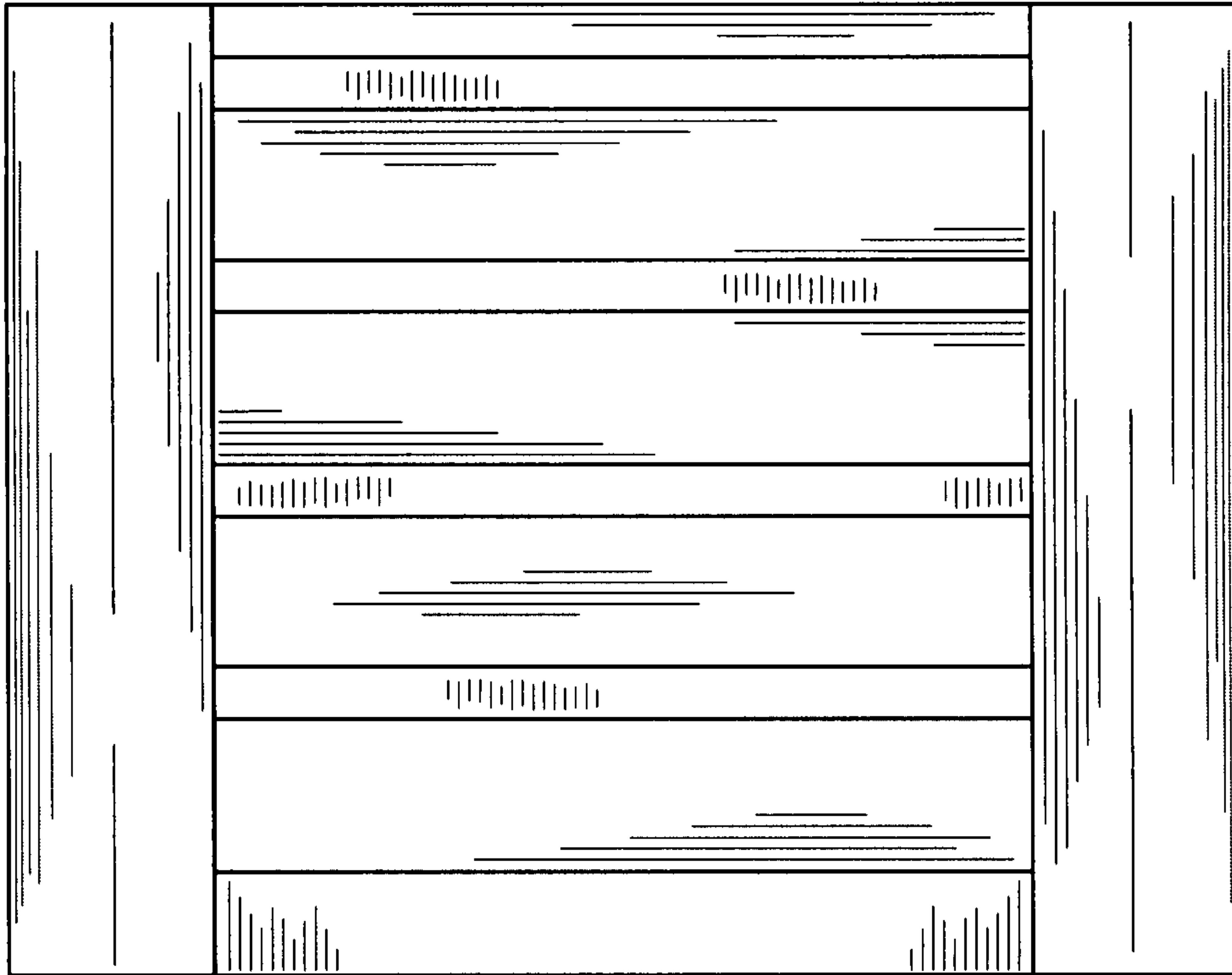


FIG. 2

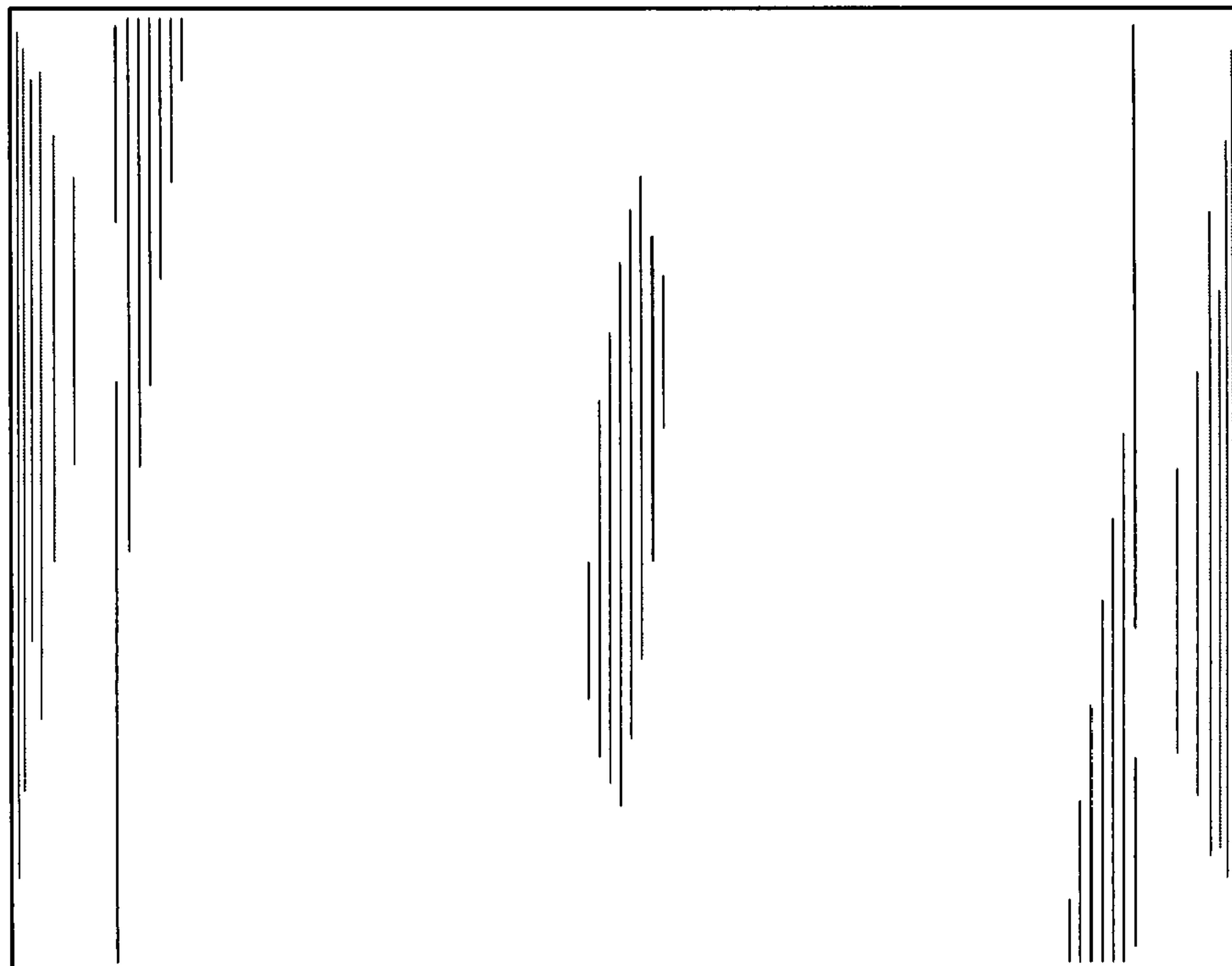


FIG. 3

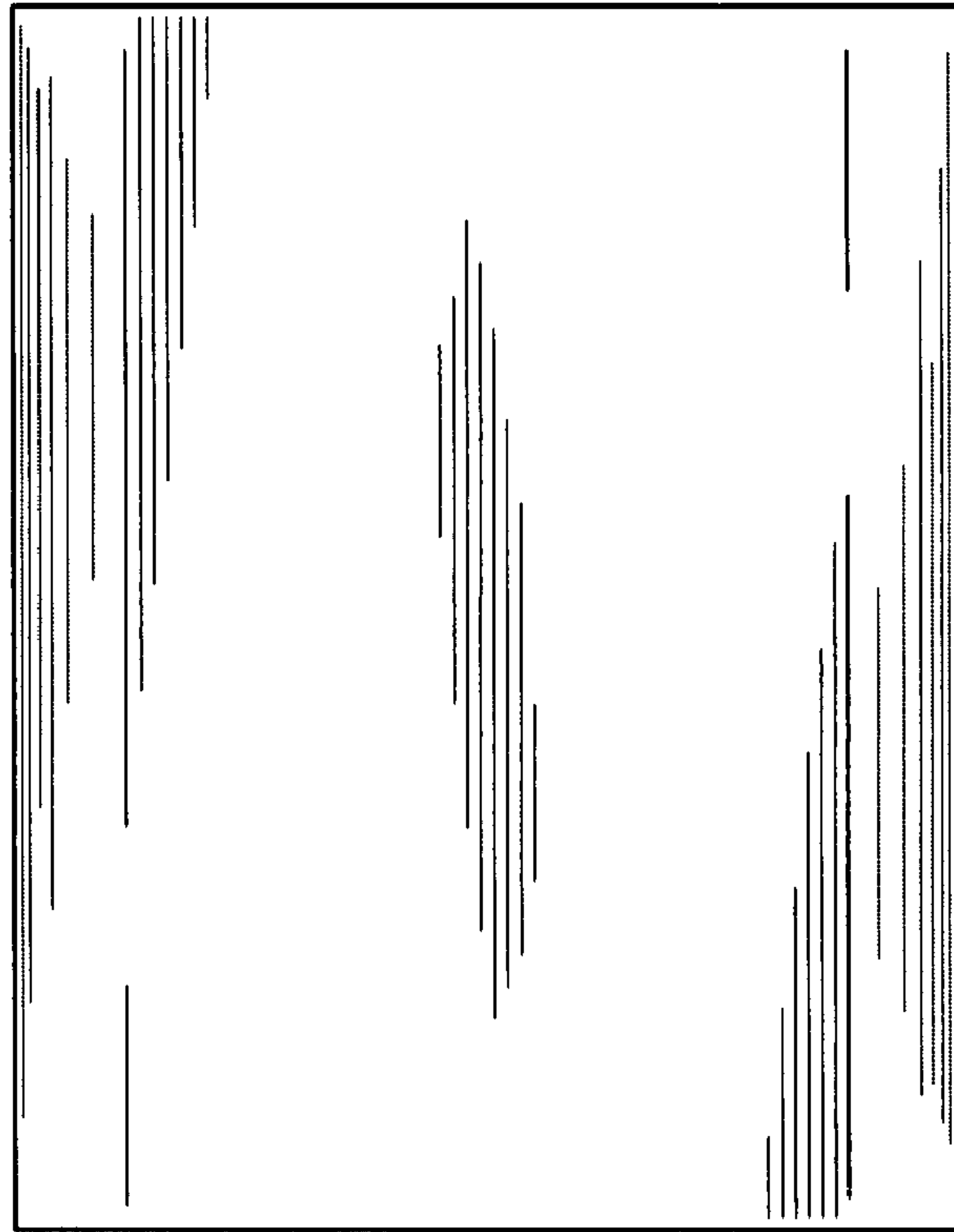


FIG. 4

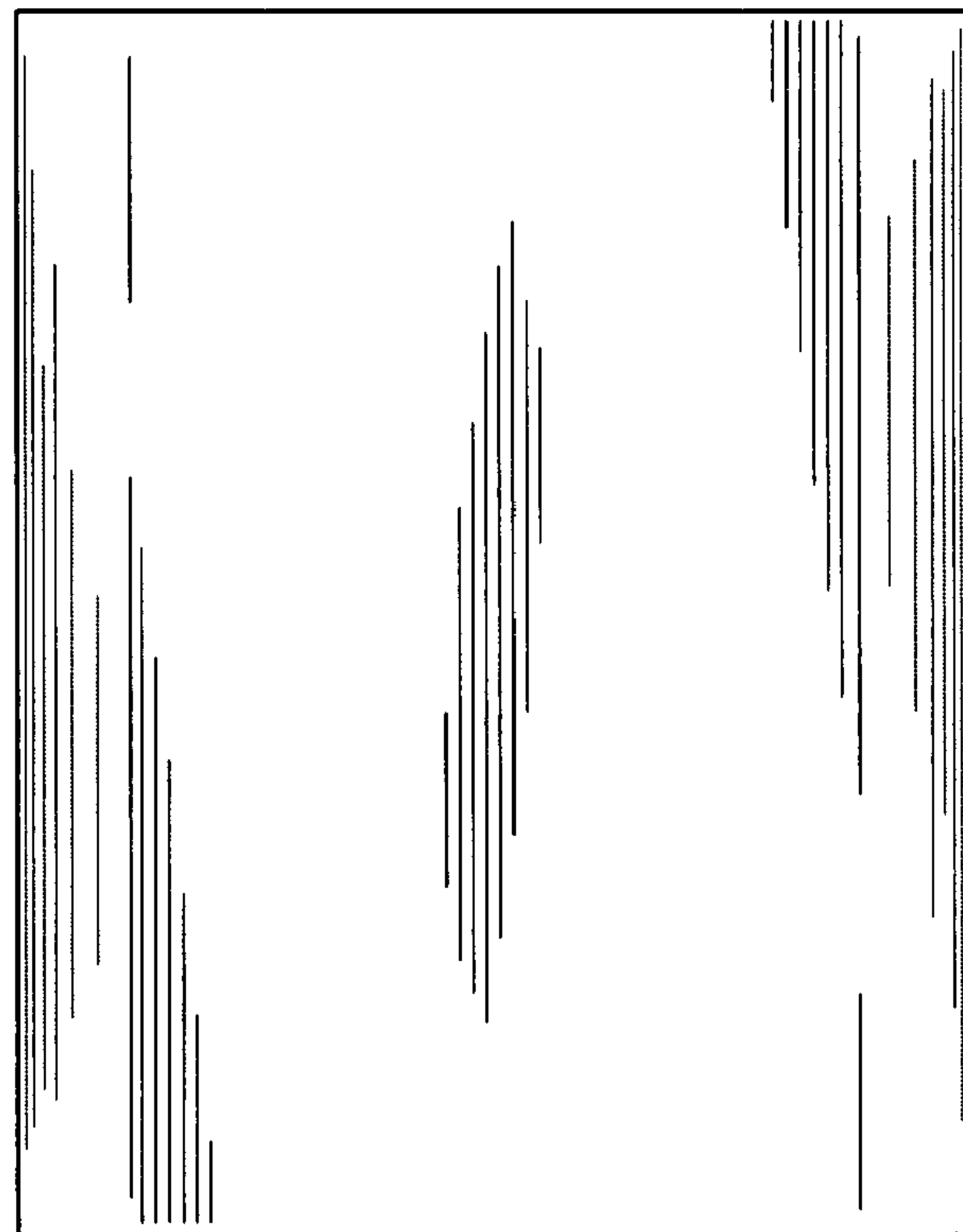


FIG. 5

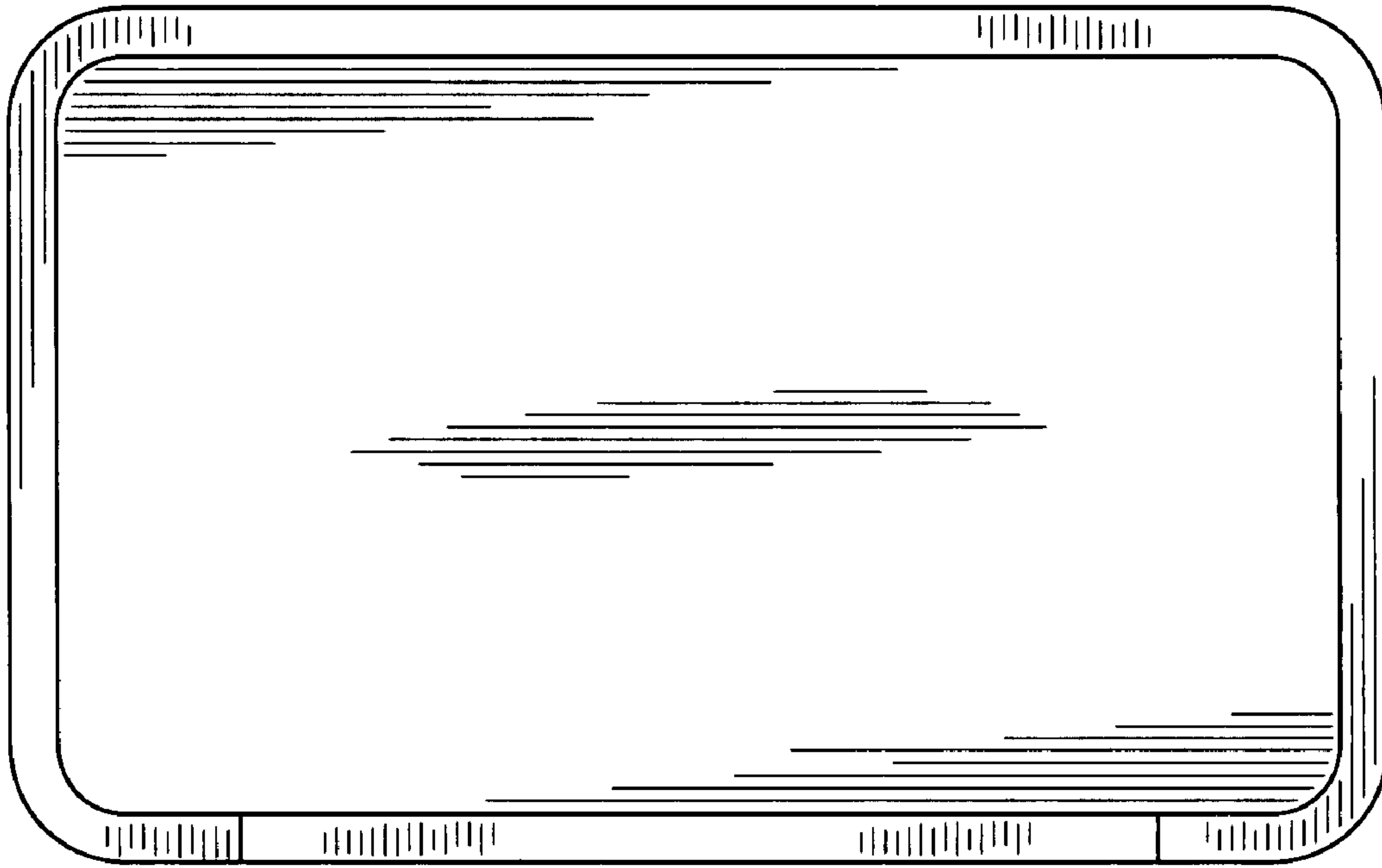


FIG. 6

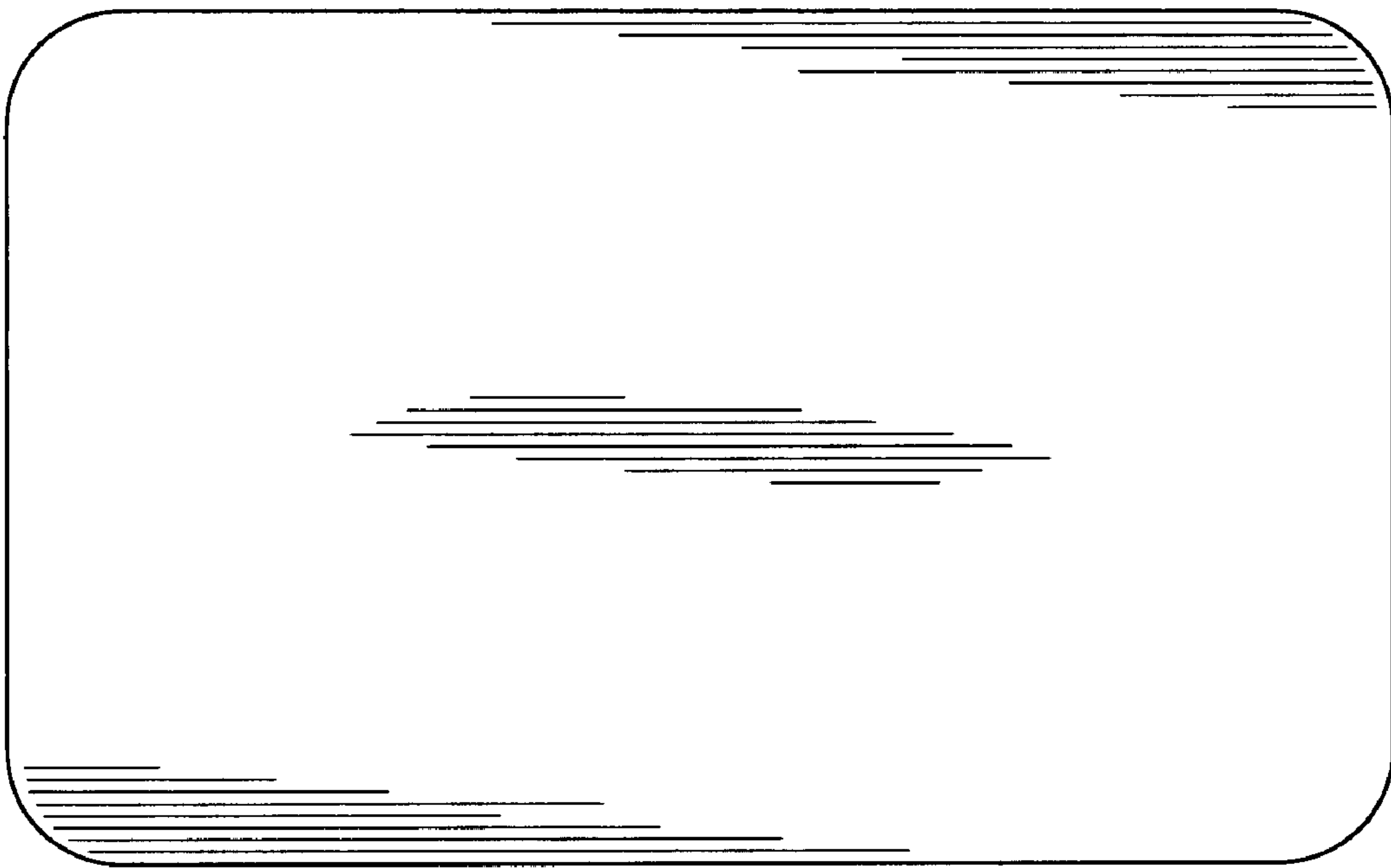


FIG. 7