



US00D553879S

(12) **United States Design Patent**
Juneau

(10) **Patent No.:** **US D553,879 S**

(45) **Date of Patent:** **** Oct. 30, 2007**

(54) **FURNITURE**

(75) Inventor: **Alain Juneau**, St-Jean-Chrysostome
(CA)

(73) Assignee: **Baronet, Inc.** (CA)

(**) Term: **14 Years**

(21) Appl. No.: **29/258,494**

(22) Filed: **Apr. 21, 2006**

(51) **LOC (8) Cl.** **06-04**

(52) **U.S. Cl.** **D6/436**

(58) **Field of Classification Search** D6/432-448,
D6/479, 484; 312/114, 204, 237, 257.1,
312/260, 278, 279; 211/90.1, 90.4
See application file for complete search history.

(56) **References Cited**

U.S. PATENT DOCUMENTS

D220,442 S	4/1971	Beavers	
D234,388 S *	2/1975	Hodges et al.	D6/445
D259,316 S	5/1981	Offredi	
D267,532 S	1/1983	Platner	
D293,521 S *	1/1988	Handler et al.	D6/433
D317,015 S *	5/1991	Bankier	D6/436
D372,604 S *	8/1996	Frederiks	D6/432
D398,788 S *	9/1998	Schubert	D6/436
D437,507 S *	2/2001	Hazen et al.	D6/436
D499,274 S *	12/2004	Juneau et al.	D6/436
D507,428 S *	7/2005	Weatherly	D6/437
D507,897 S	8/2005	Juneau et al.	
D521,776 S *	5/2006	Moyle et al.	D6/479
D532,624 S *	11/2006	Juneau	D6/436
D534,379 S *	1/2007	Juneau	D6/484

* cited by examiner

Primary Examiner—Mimosa De

(74) *Attorney, Agent, or Firm*—SAIDMAN DesignLaw Group

(57) **CLAIM**

The ornamental design for furniture, as shown in FIGS. 1-8 and described on pages one and two of the specification.

DESCRIPTION

FIG. 1 is a front perspective view of a first embodiment of furniture showing my new design, where a door is in a closed state;

FIG. 2 is a front view thereof;

FIG. 3 is a front perspective view thereof, where a door is in an open state;

FIG. 4 is a front view thereof;

FIG. 5 is a top view thereof;

FIG. 6 is a right-side view thereof, the left-side view being a mirror image;

FIG. 7 is a front view of a second embodiment thereof, where a door is in a closed state;

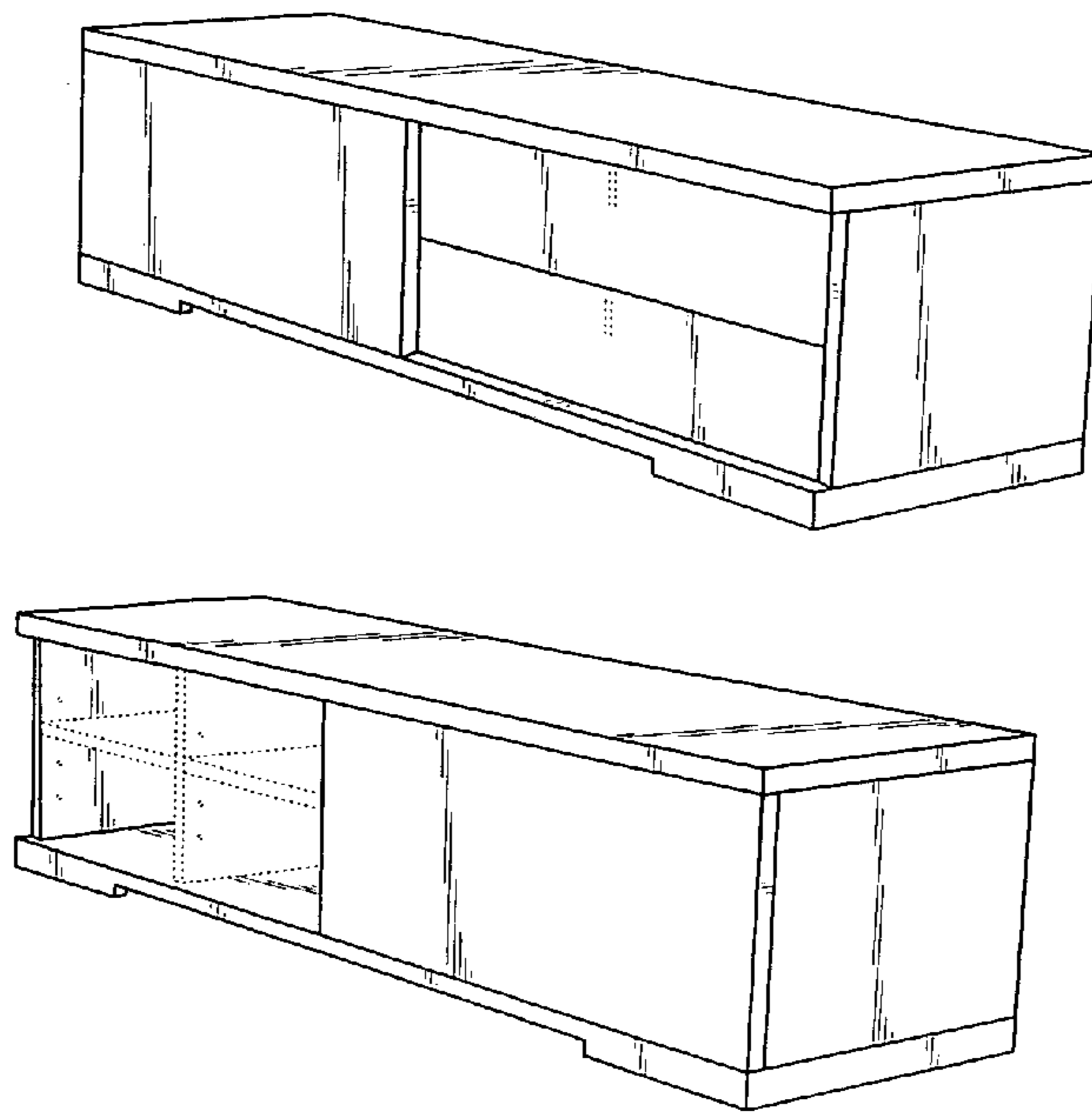
FIG. 8 is a front view thereof, where a door is in an open state.

FIG. 9 is a front perspective view thereof, where a door is in a closed state; and,

FIG. 10 is a front perspective view thereof, where a door is in an open state.

The broken line showing in the drawings is for illustrative purposes and forms no part of the claimed design.

1 Claim, 5 Drawing Sheets



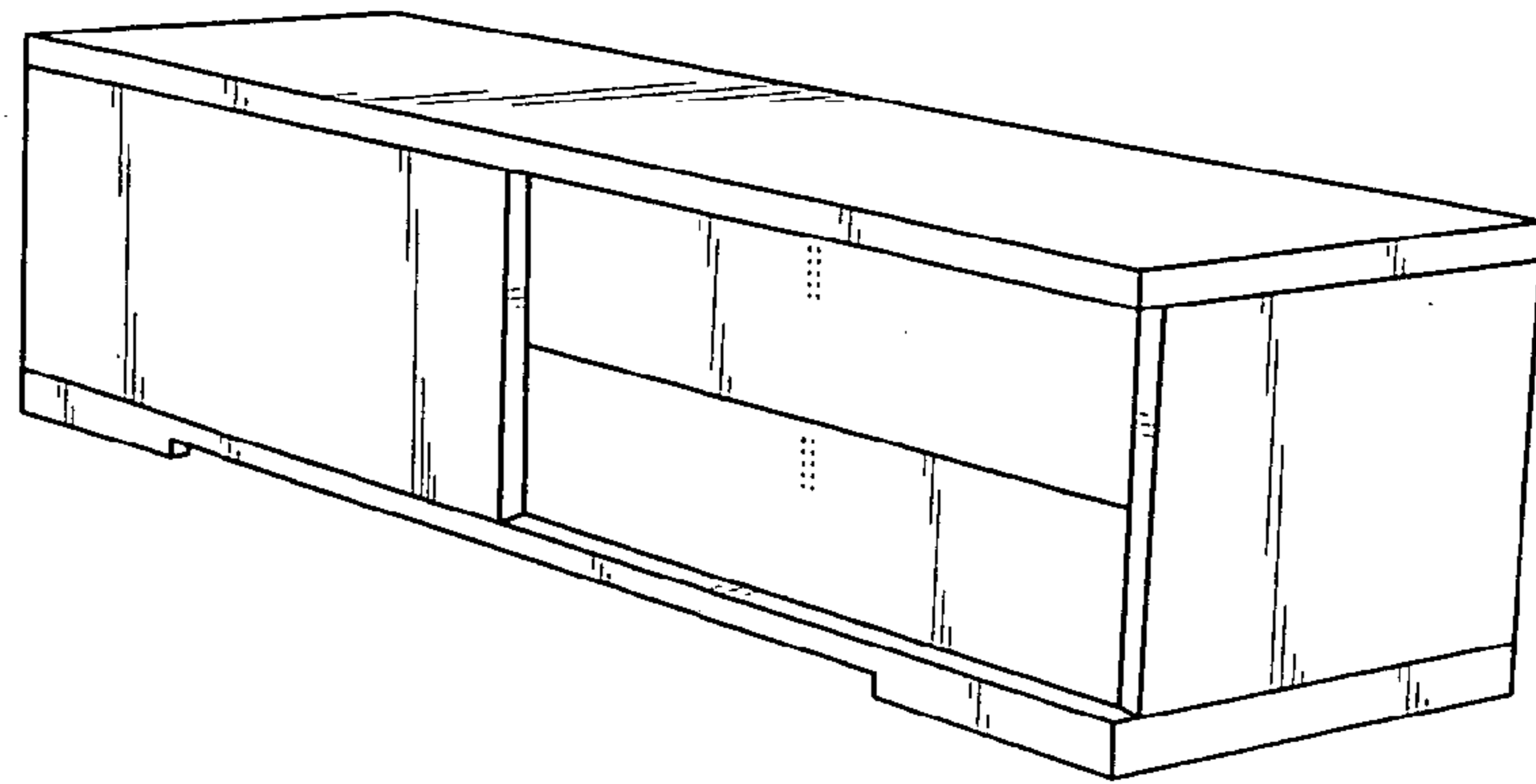


Fig. 1

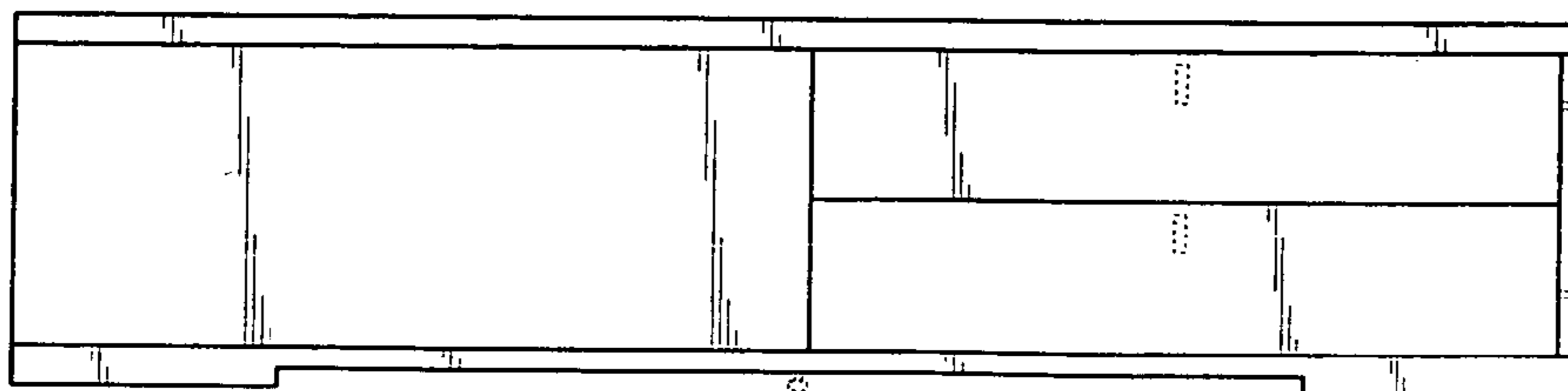


Fig. 2

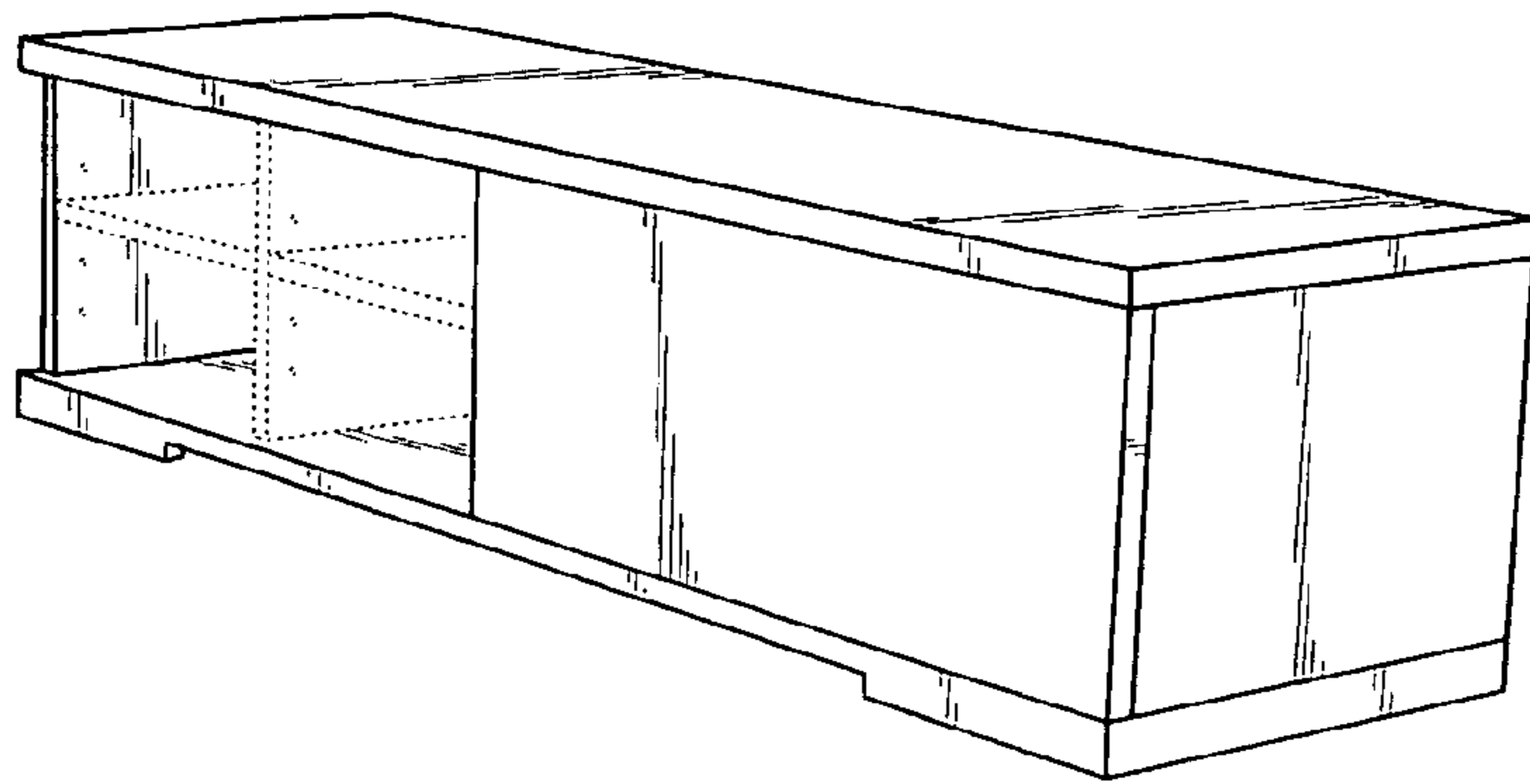


Fig. 3

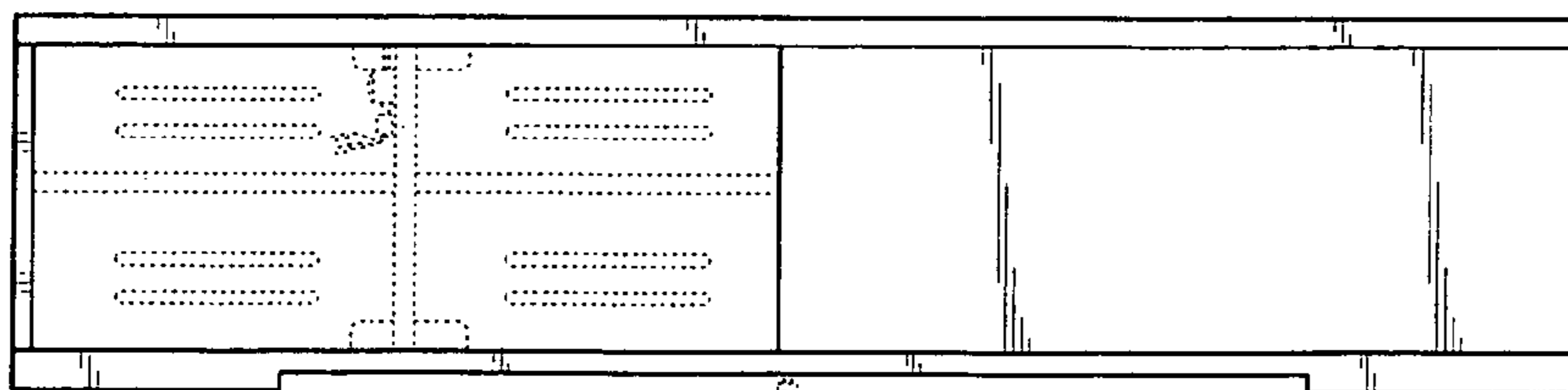


Fig. 4

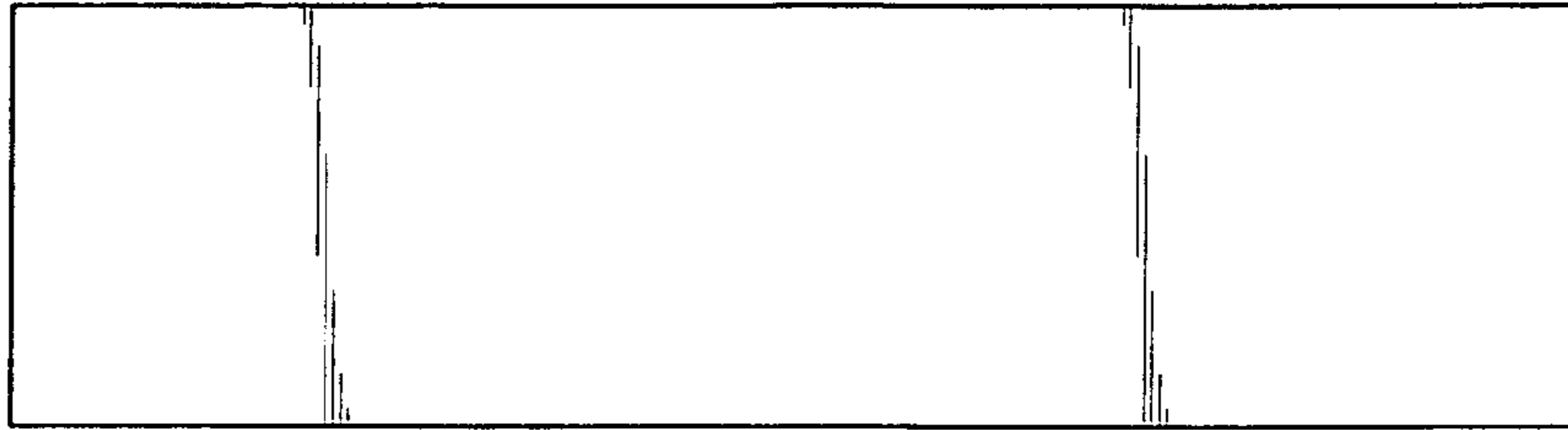


Fig. 5

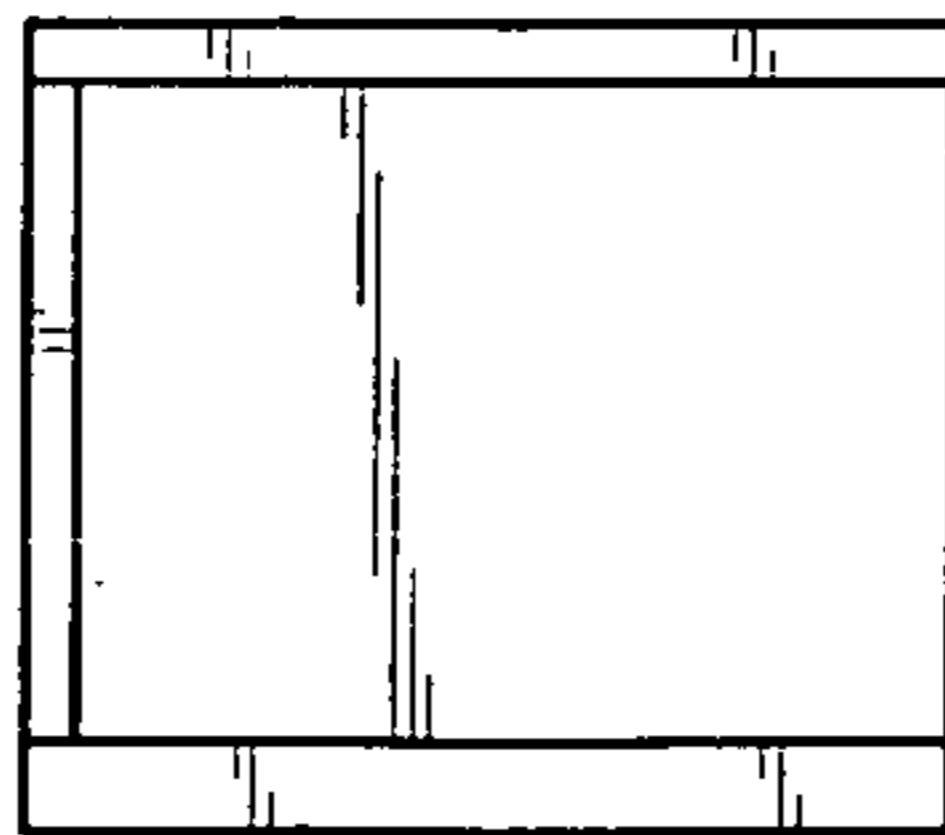


Fig. 6

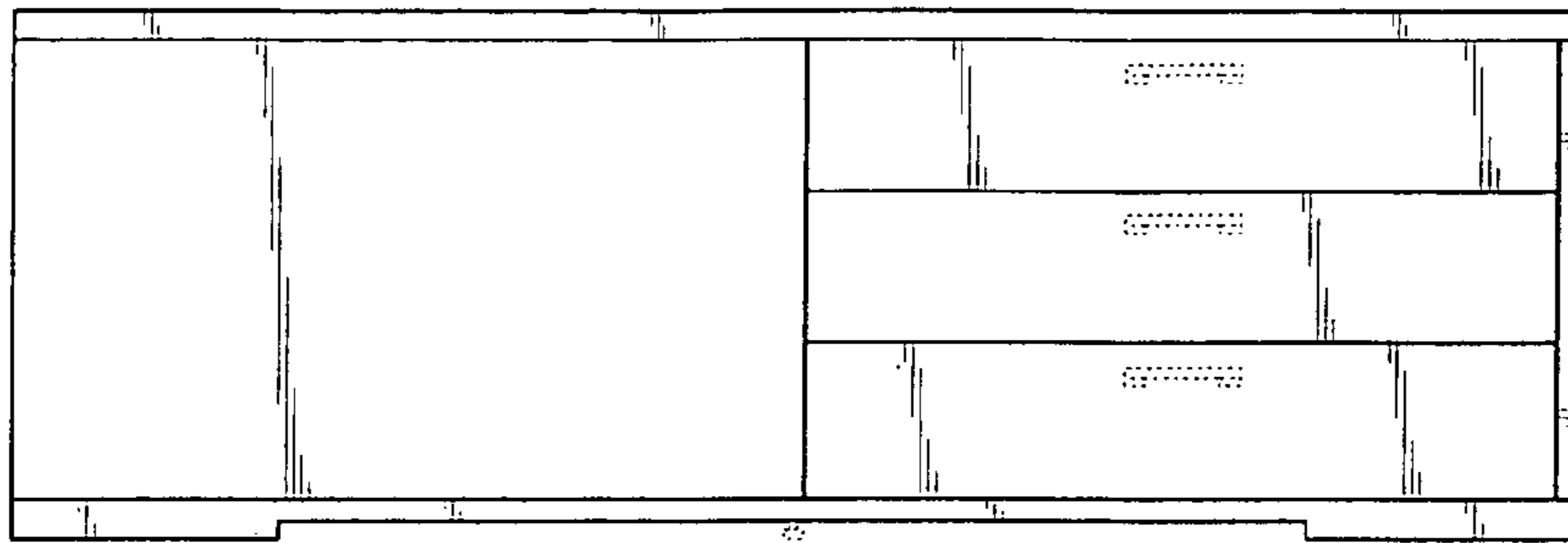


Fig. 7

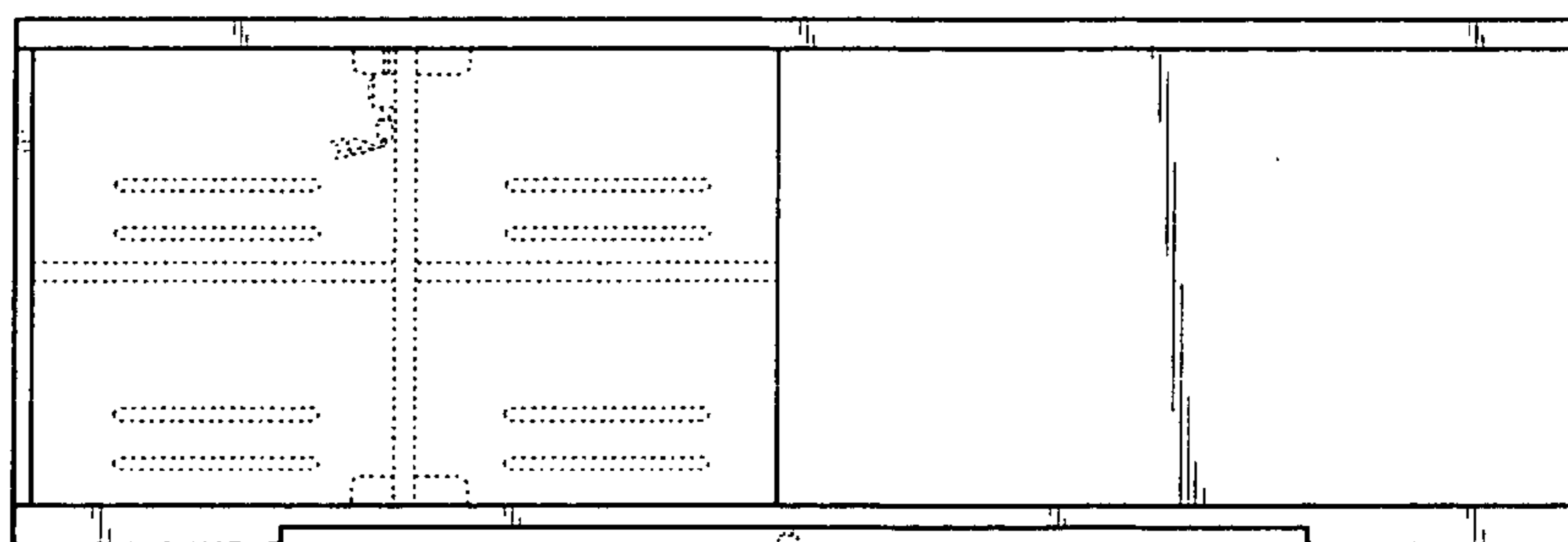


Fig. 8

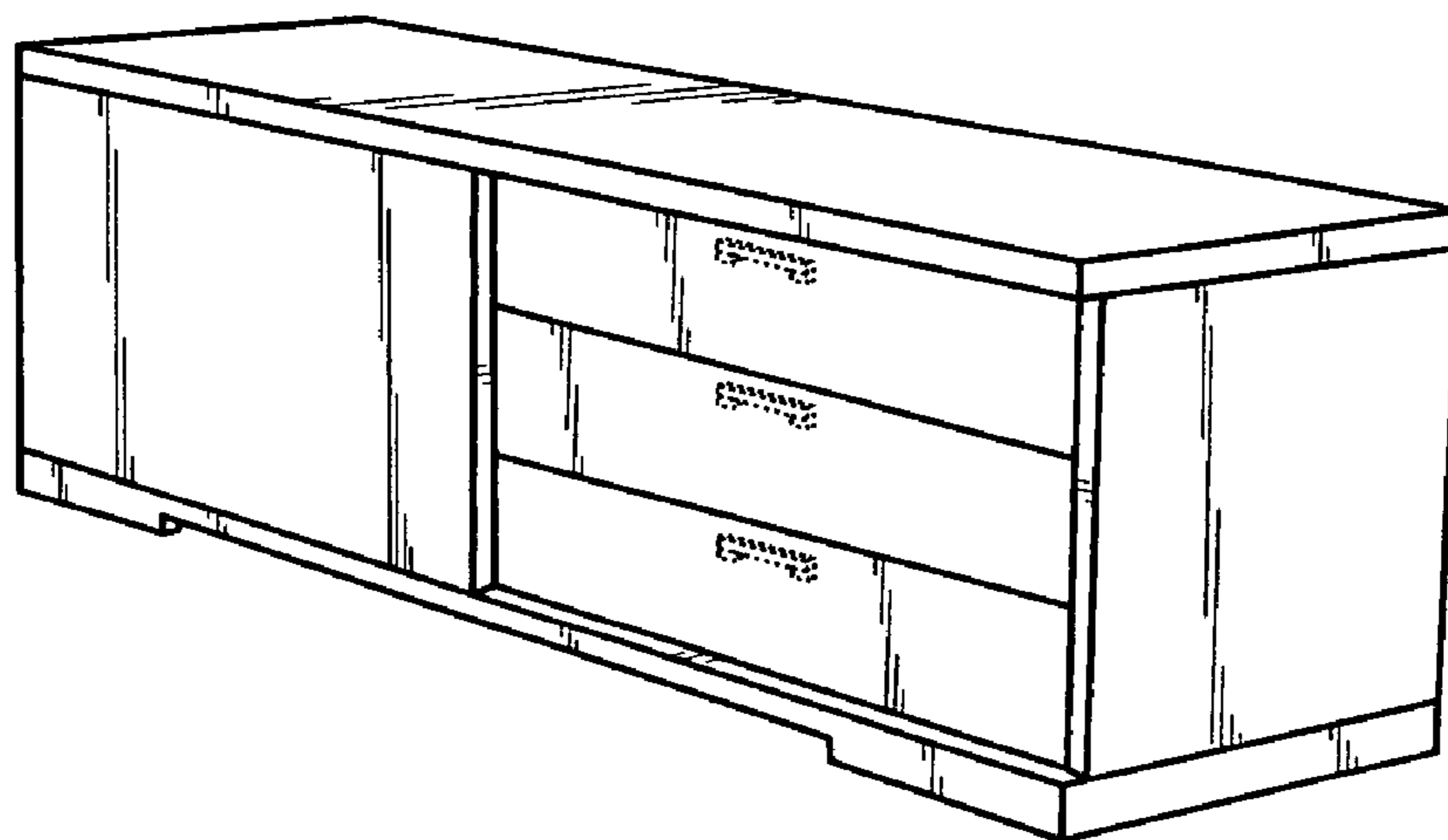


Fig. 9

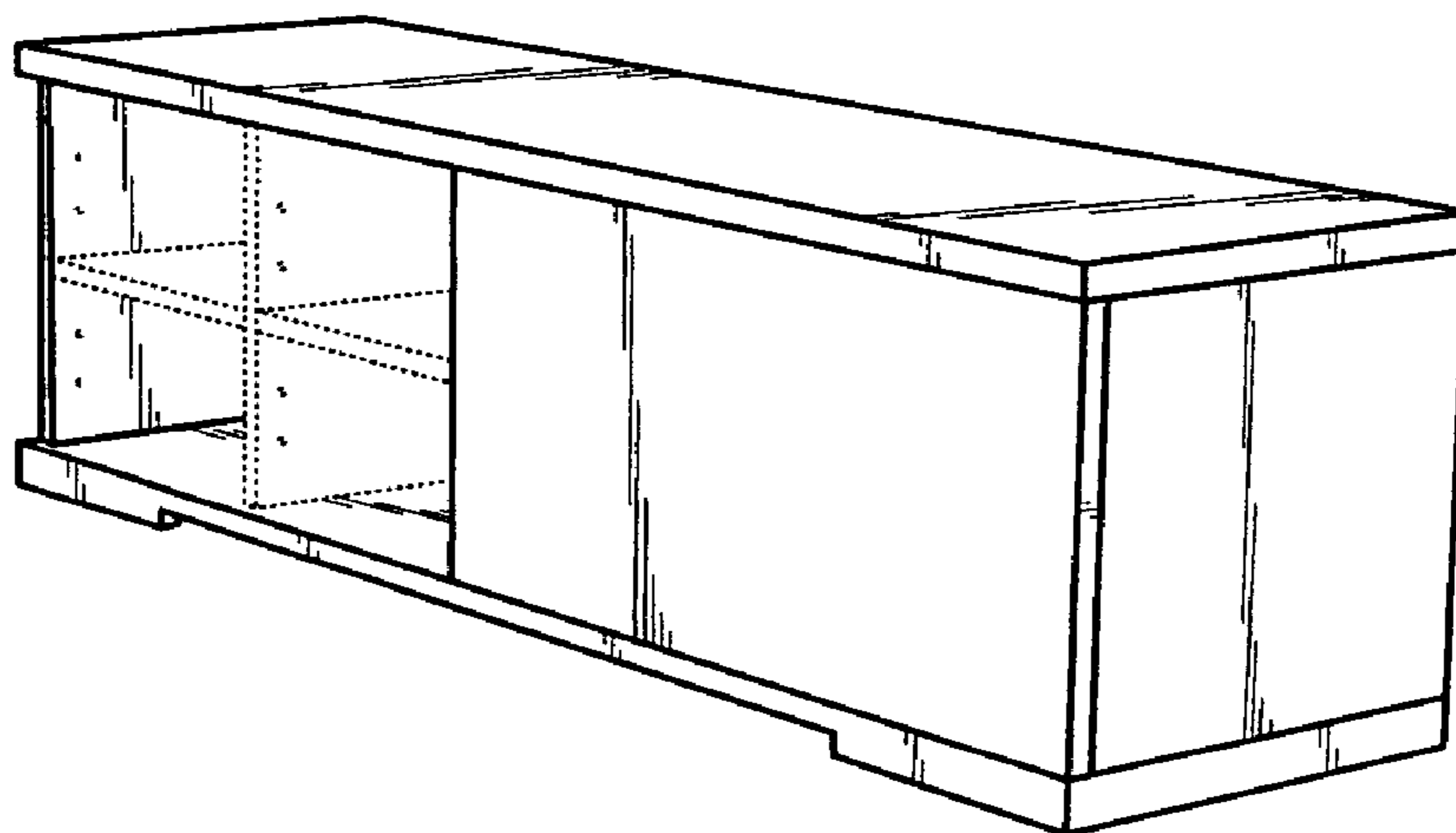


Fig. 10