



US00D553874S

(12) **United States Design Patent**
Orlando

(10) **Patent No.:** **US D553,874 S**

(45) **Date of Patent:** **** Oct. 30, 2007**

(54) **CHRISTMAS STOCKING DISPLAY RACK**

(76) Inventor: **Debbie A. Orlando**, 20 Nehring Ave.,
Babylon, NY (US) 11702

(**) Term: **14 Years**

(21) Appl. No.: **29/241,033**

(22) Filed: **Oct. 24, 2005**

(51) **LOC (8) Cl.** **06-04**

(52) **U.S. Cl.** **D6/411**

(58) **Field of Classification Search** D6/411,
D6/449, 509, 397, 332, 467, 396, 410; D20/10,
D20/40; D21/691; 160/351, 24; 211/204,
211/205, 206, 85.3, 123; 40/607.11, 607.04
See application file for complete search history.

(56) **References Cited**

U.S. PATENT DOCUMENTS

381,342	A *	4/1888	De Land	40/607.11
D162,908	S *	4/1951	Volk	D6/410
2,893,568	A *	7/1959	Scholz	211/204
3,494,405	A *	2/1970	Bartelmas et al.	160/24
D235,948	S *	7/1975	Nerrie	D6/449
D242,099	S *	11/1976	Casey	D6/332
4,327,837	A	5/1982	Ross		
4,606,394	A *	8/1986	Bannister	160/351
D289,585	S	5/1987	Lord		
D304,528	S *	11/1989	Handler et al.	D6/411
D312,177	S *	11/1990	Walter	D6/509
D315,651	S *	3/1991	Citterio et al.	D6/509

D364,523	S	11/1995	Carter		
5,492,476	A	2/1996	Ball et al.		
5,642,819	A	7/1997	Ronia		
D383,497	S *	9/1997	Robertson	D20/10
D445,837	S *	7/2001	Waterhouse	D20/40
D446,028	S *	8/2001	Ruedinger et al.	D6/332
6,370,803	B1 *	4/2002	Burquest	40/607.04
D466,331	S *	12/2002	Chang	D6/411
6,648,283	B2	11/2003	Chase et al.		
D487,124	S *	2/2004	Toniolo	D21/691

* cited by examiner

Primary Examiner—Janice E. Seeger

Assistant Examiner—Sydney R. Buffalow

(57) **CLAIM**

The ornamental design for a Christmas stocking display rack, as shown and described.

DESCRIPTION

FIG. 1 is a front elevational view of a Christmas stocking display rack showing my new design;

FIG. 2 is a rear elevational view thereof;

FIG. 3 is a left side elevational view thereof;

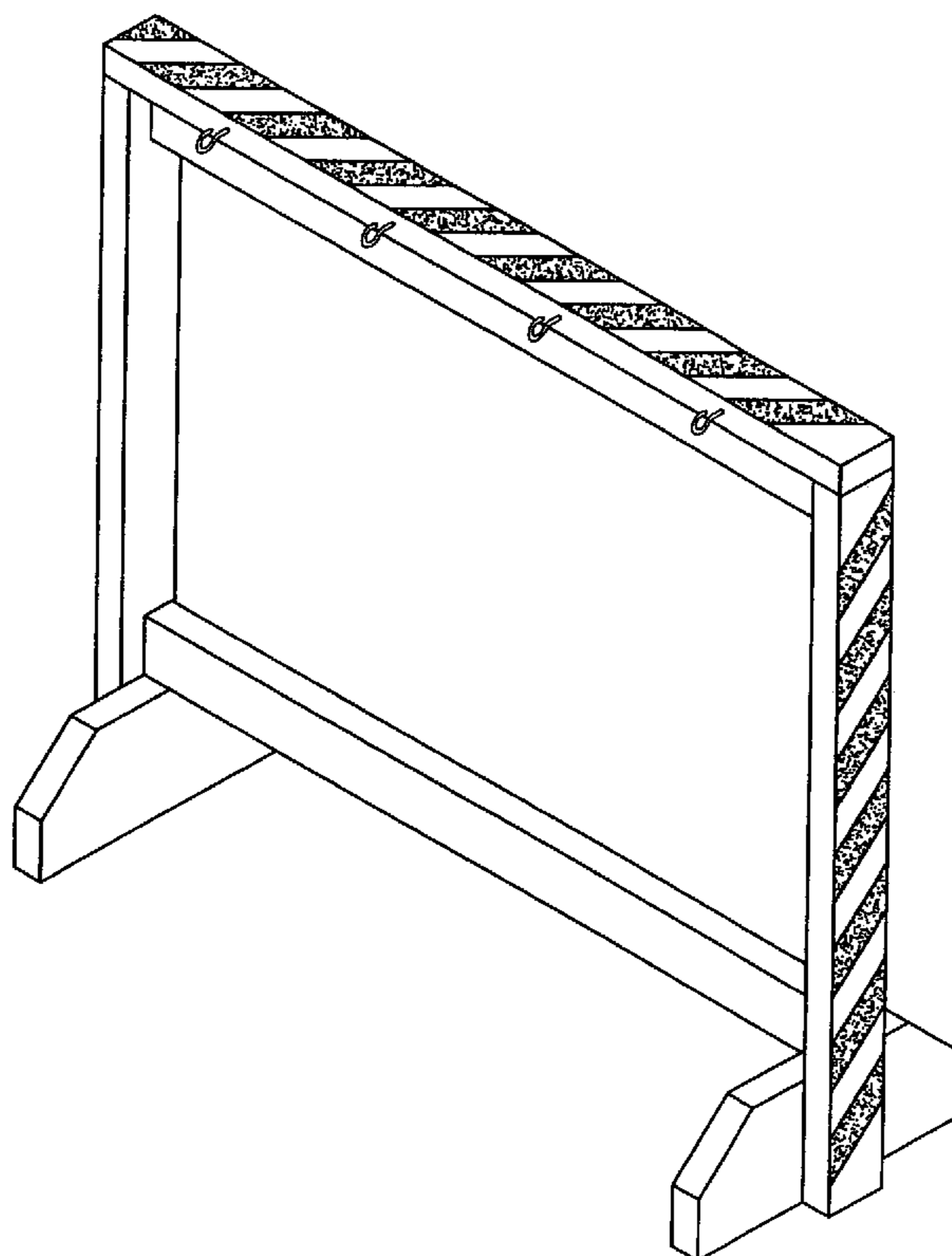
FIG. 4 is a right side elevational thereof;

FIG. 5 is a top plan view thereof;

FIG. 6 is a bottom plan view thereof; and,

FIG. 7 is a perspective view thereof.

1 Claim, 4 Drawing Sheets



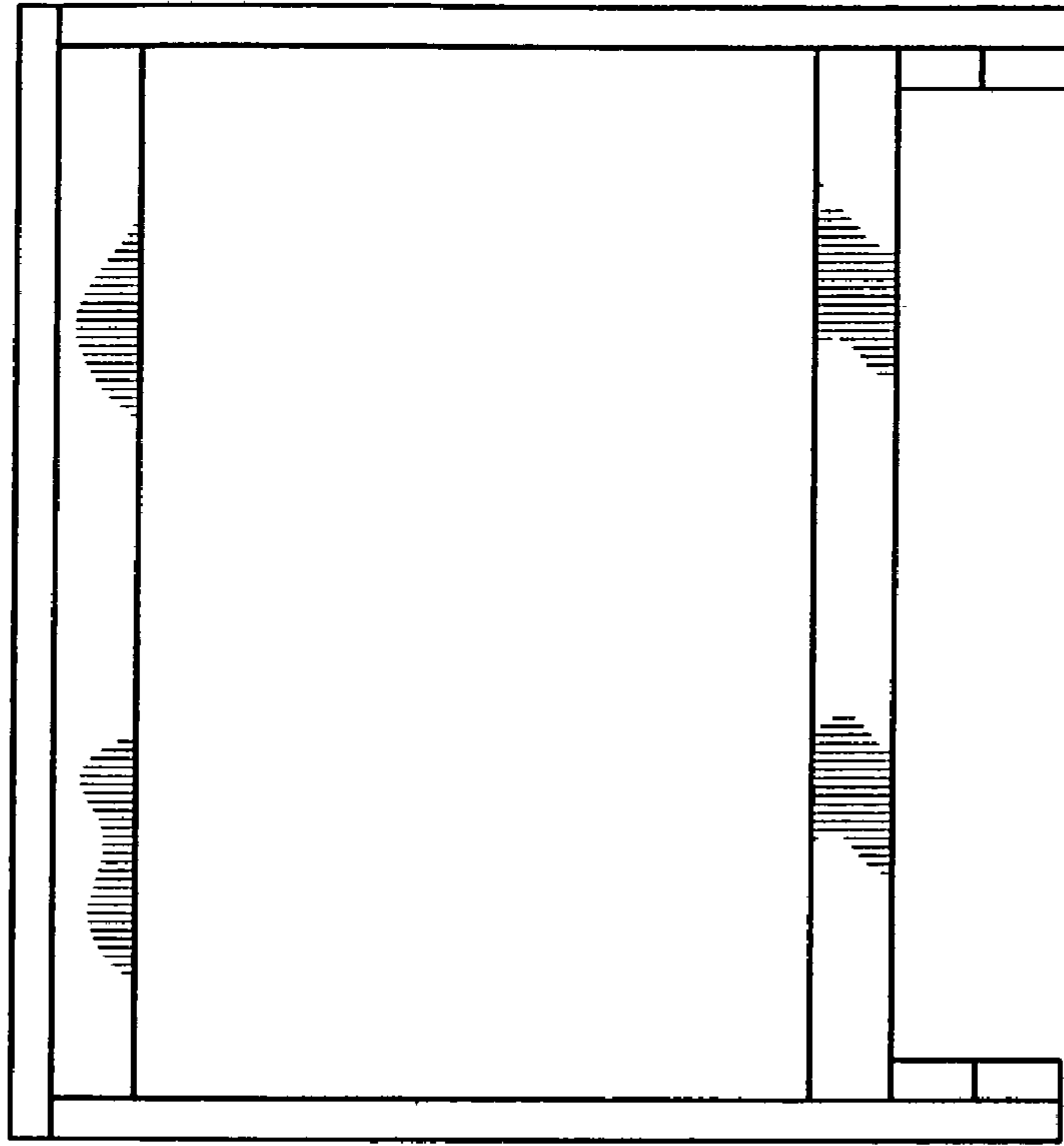


FIG. 2

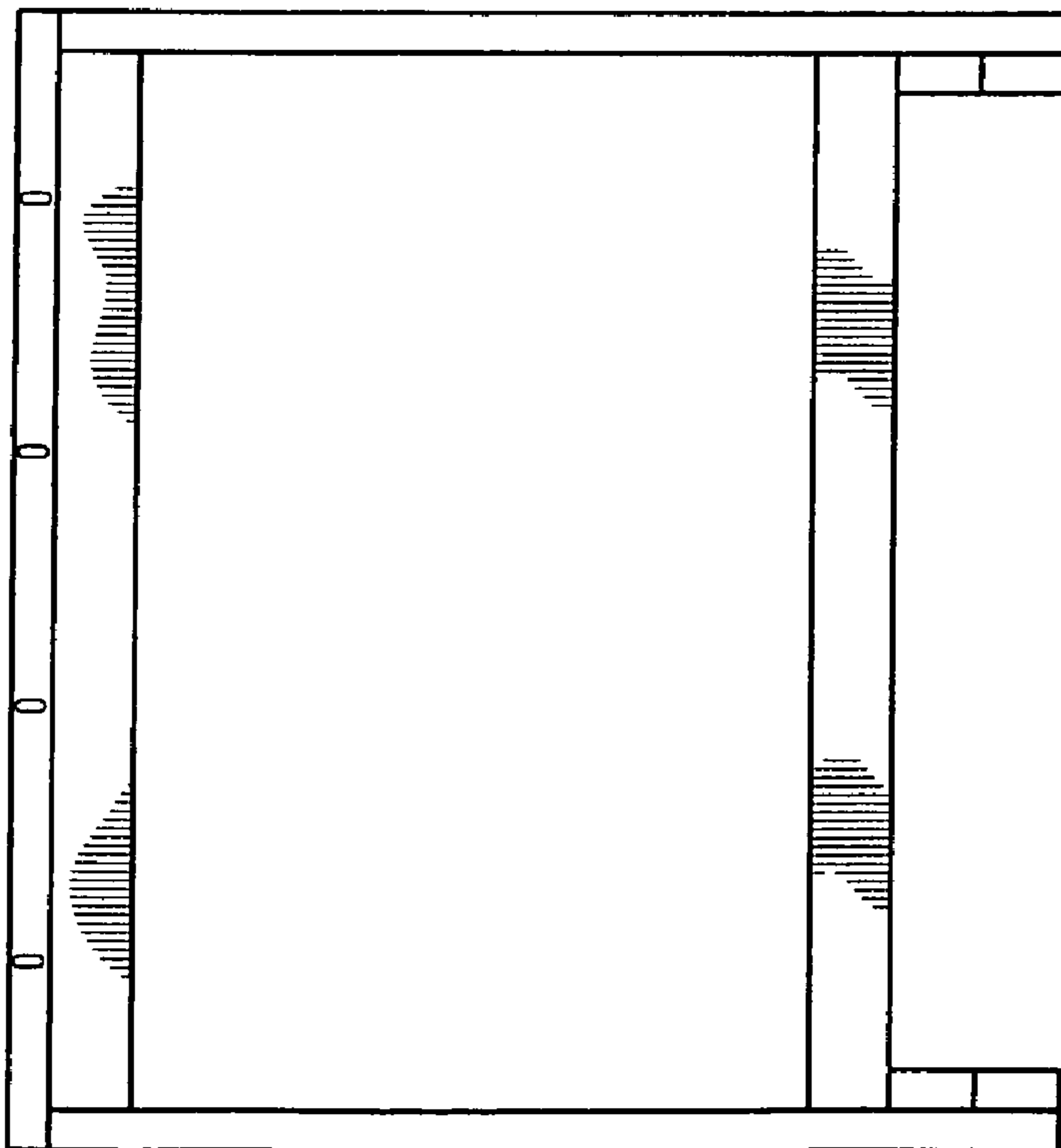


FIG. 1

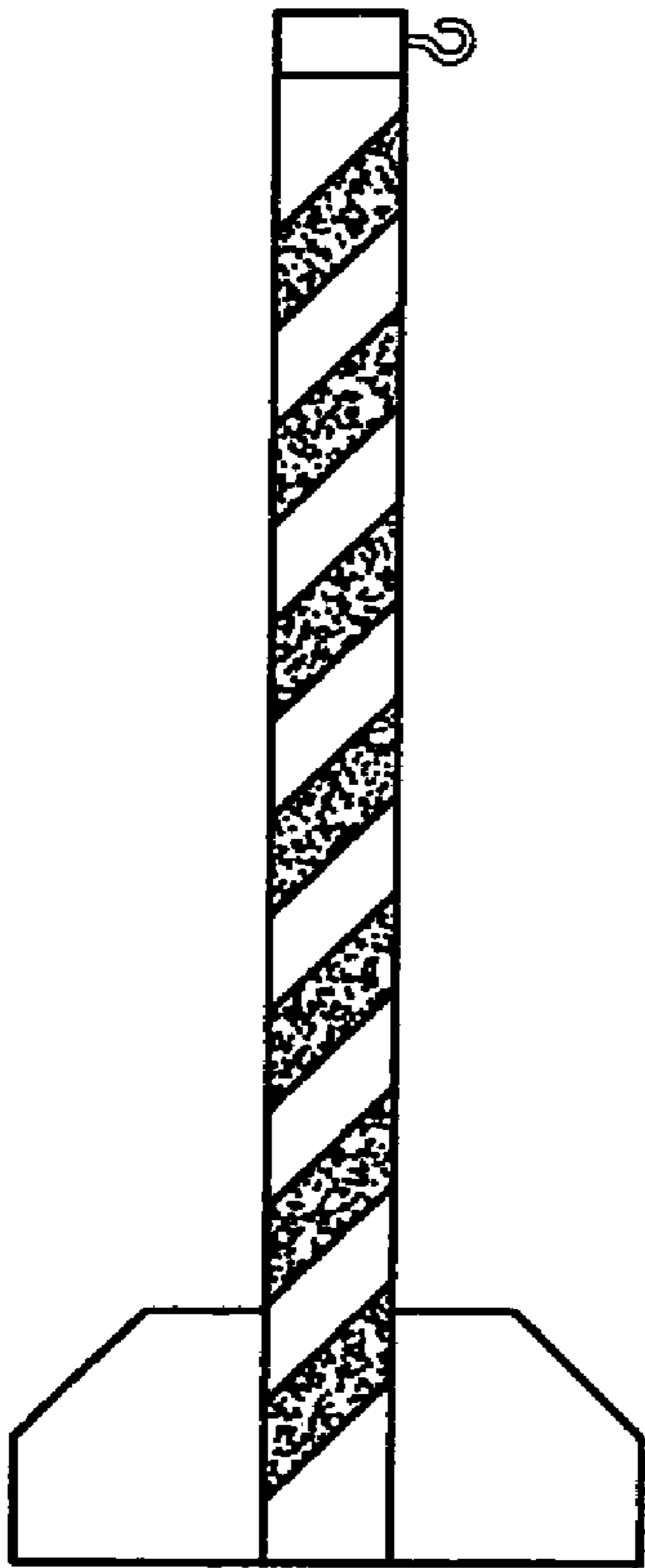


FIG. 3

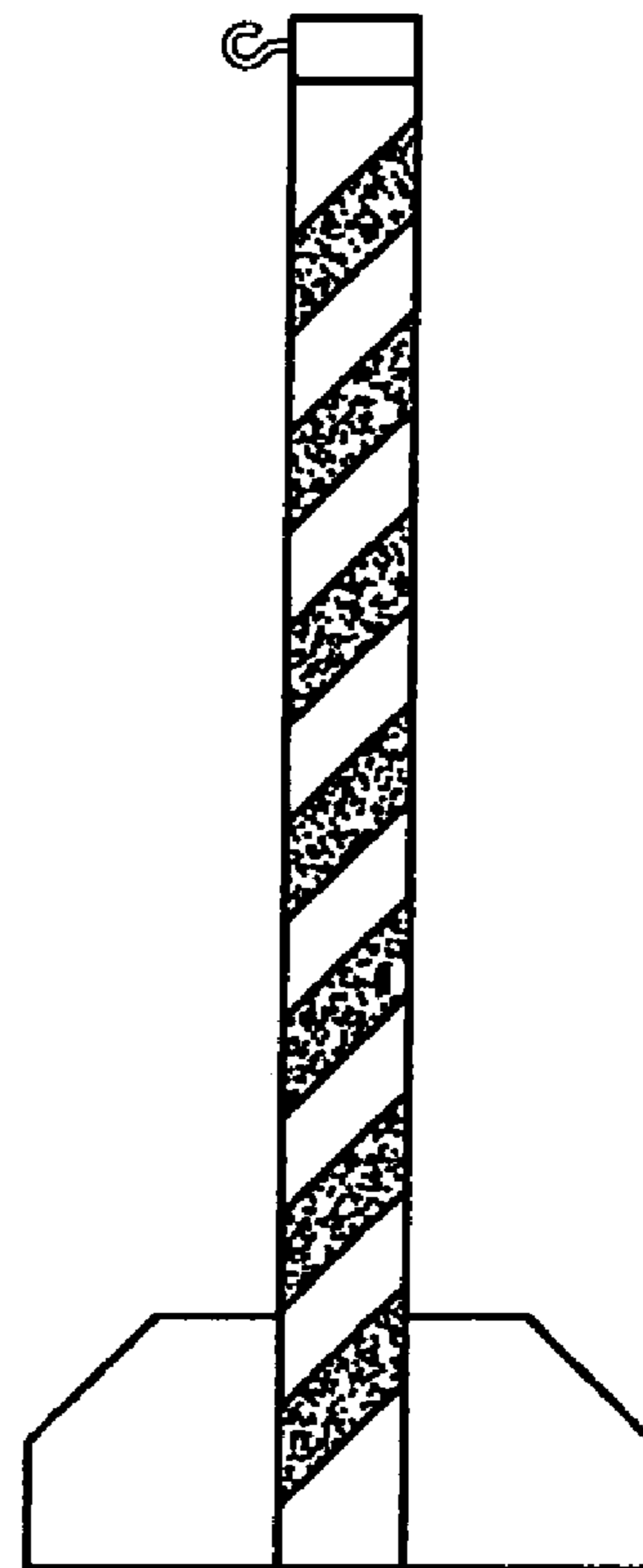


FIG. 4

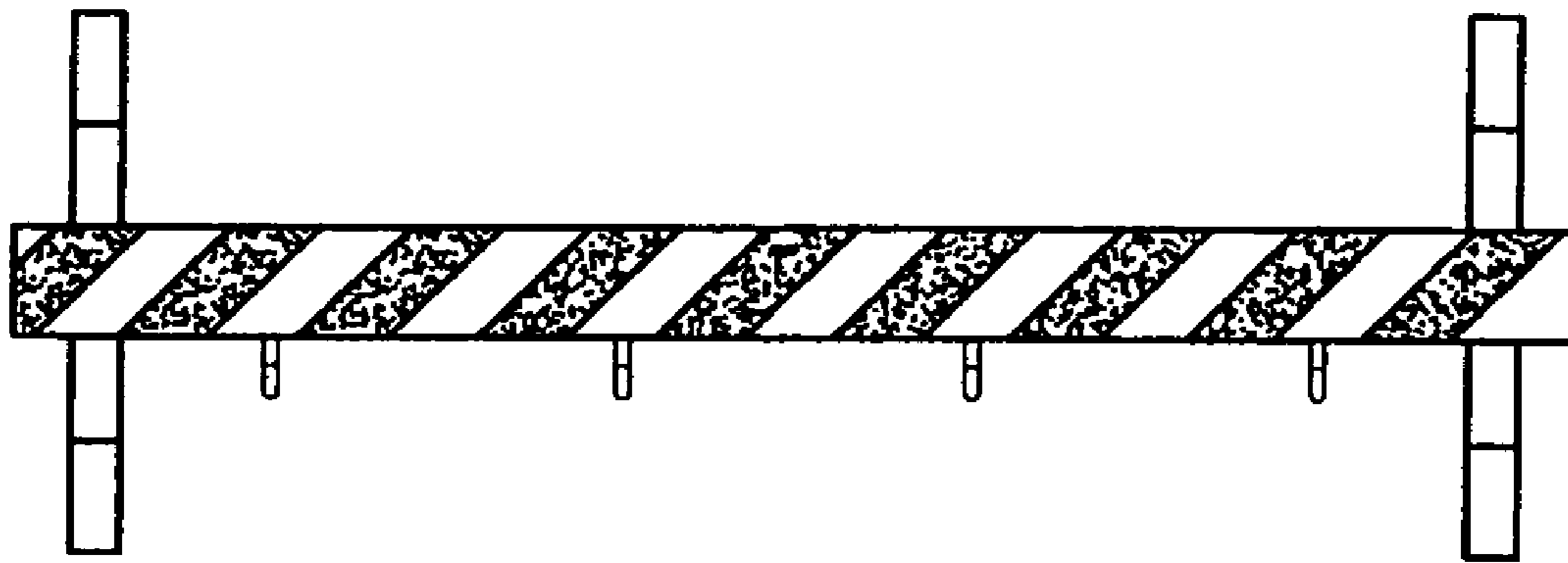


FIG. 5

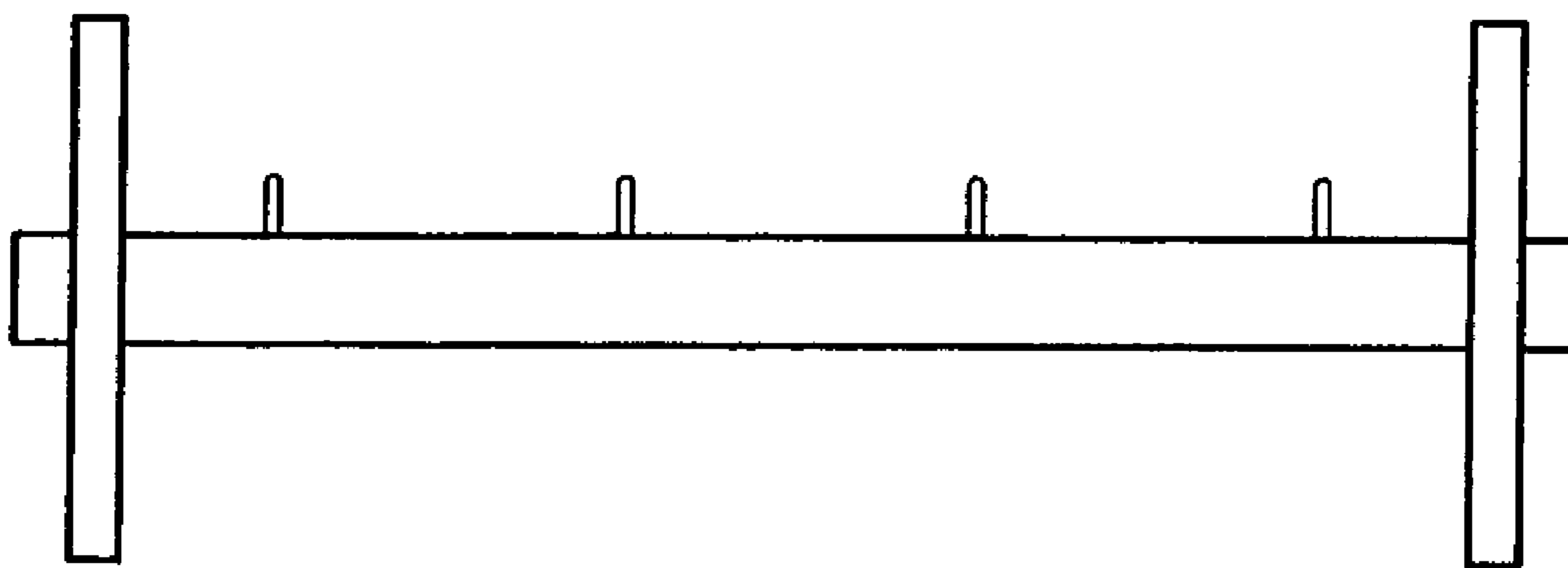


FIG. 6

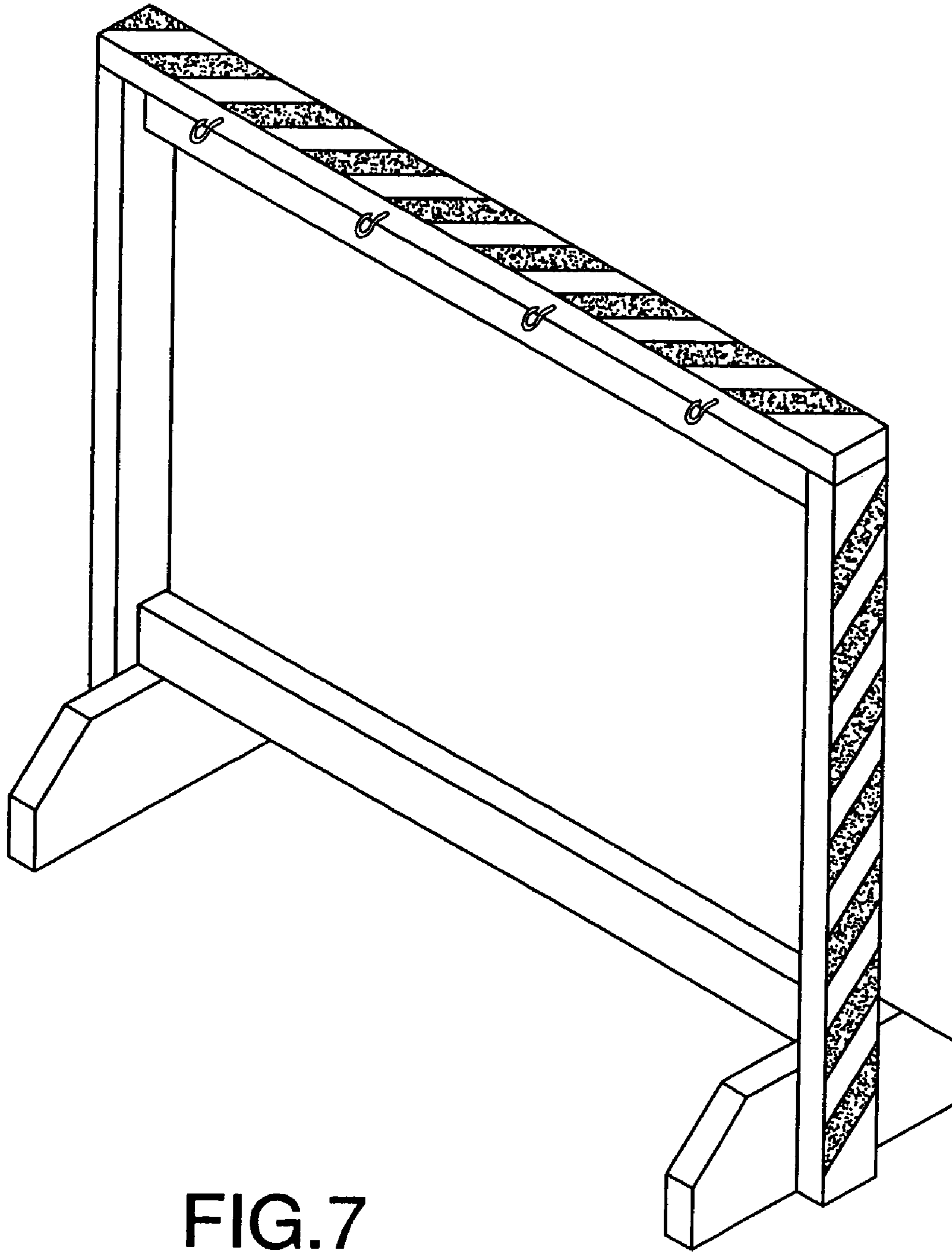


FIG. 7